



US00D650699S

(12) **United States Design Patent**  
**Lua**

(10) **Patent No.:** **US D650,699 S**  
(45) **Date of Patent:** **\*\* Dec. 20, 2011**

(54) **SPRAY DISPENSING CONTAINER**

(75) Inventor: **James Lua**, Columbus, OH (US)

(73) Assignee: **R.J. Reynolds Tobacco Company**,  
Winston-Salem, NC (US)

(\*\*) Term: **14 Years**

(21) Appl. No.: **29/387,233**

(22) Filed: **Mar. 10, 2011**

(51) **LOC (9) Cl.** ..... **09-01**

(52) **U.S. Cl.** ..... **D9/687**

(58) **Field of Classification Search** ..... D9/682-694,  
D9/516-575, 434-455, 723-729; D28/5,  
D28/76, 77, 91.1; 222/129, 135, 153.01,  
222/153.03, 153.04, 153.09, 153.11-153.14,  
222/182, 631, 635, 209, 211-213, 215, 321.7-321.9,  
222/372, 373, 378, 379, 383.1, 384-386,  
222/398, 400.7, 400.8, 401, 402.1-402.25;  
D24/108, 110, 110.5; 128/200.12, 200.14,  
128/200.17-200.23, 203.12-203.24; D27/139,  
D27/141-161, 172, 183-194

See application file for complete search history.

(56) **References Cited**

**U.S. PATENT DOCUMENTS**

D153,840	S	*	5/1949	Anbender et al.	.....	D28/91.1
D155,683	S	*	10/1949	Bruneau	.....	D28/91.1
D218,251	S	*	8/1970	Rams et al.	.....	D27/154
D222,825	S	*	1/1972	Newman	.....	D9/687
D229,339	S	*	11/1973	Goto	.....	D27/157
D248,046	S	*	5/1978	Tada	.....	D24/113
4,264,038	A	*	4/1981	Nozawa	.....	222/321.8
D270,956	S	*	10/1983	Martinez	.....	D28/91.1
5,037,005	A	*	8/1991	Appleby et al.	.....	222/184
D322,028	S	*	12/1991	Appleby et al.	.....	D9/520
D335,452	S	*	5/1993	Crawford et al.	.....	D9/756
5,316,185	A	*	5/1994	Meenan	.....	222/321.8
D414,683	S		10/1999	DeJong et al.		
D419,433	S	*	1/2000	Conway	.....	D9/687
D472,802	S	*	4/2003	Barnes et al.	.....	D9/731

6,712,244	B1		3/2004	Sallows et al.		
6,871,798	B2		3/2005	Mathiez		
7,025,232	B2		4/2006	Green		
D541,170	S		4/2007	Bloc		
7,249,720	B2		7/2007	Mathiez		
D573,889	S	*	7/2008	Short et al.	.....	D9/529
D608,218	S		1/2010	Llewellyn et al.		
7,866,328	B2	*	1/2011	Chen	.....	132/287
D634,204	S		3/2011	Llewellyn et al.		
D634,211	S	*	3/2011	Kruetzkamp et al.	.....	D9/687
D637,074	S	*	5/2011	Maki et al.	.....	D9/417
2006/0231453	A1		10/2006	Grant et al.		

(Continued)

**FOREIGN PATENT DOCUMENTS**

CN 300857883 \* 12/2008

(Continued)

*Primary Examiner* — Catherine Tuttle

(74) *Attorney, Agent, or Firm* — Womble Carlyle Sandridge & Rice, LLP

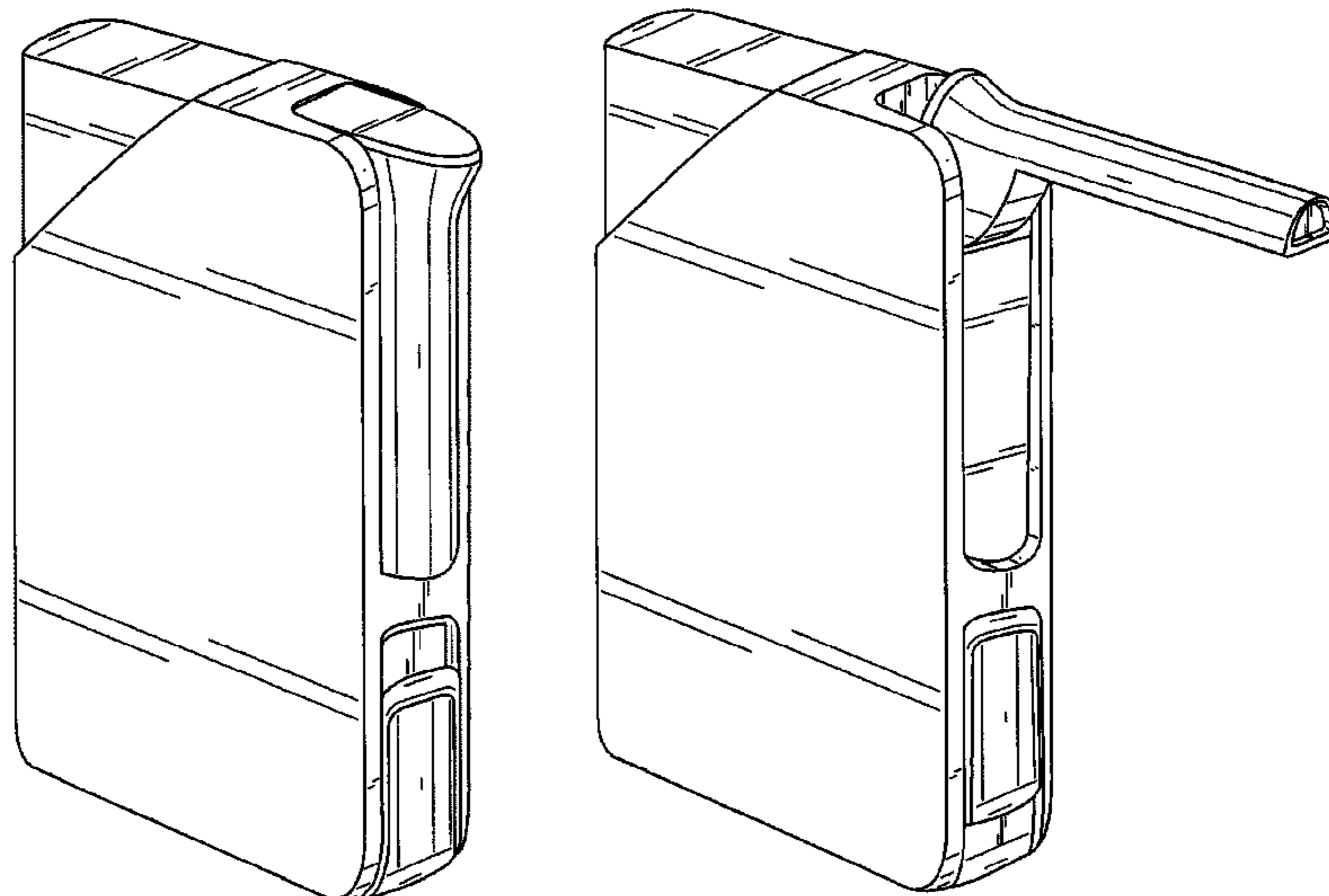
(57) **CLAIM**

The ornamental design for a spray dispensing container, as shown and described.

**DESCRIPTION**

FIG. 1 is a top, front perspective view of a spray dispensing container showing my new design in a closed configuration; FIG. 2 is a front view thereof; FIG. 3 is a rear view thereof; FIG. 4 is a side view thereof; FIG. 5 is a side view thereof, wherein the container is rotated along a horizontal axis 180° in relation to the view illustrated in FIG. 4; FIG. 6 is a top plan view thereof; FIG. 7 is a bottom plan view thereof; FIG. 8 is a top, front perspective view showing my design in an open configuration; and, FIG. 9 is a bottom, rear perspective view of the closed spray dispensing container.

**1 Claim, 7 Drawing Sheets**



# US D650,699 S

Page 2

---

## U.S. PATENT DOCUMENTS

2007/0186924 A1\* 8/2007 Terrasi ..... 128/200.23  
2009/0020113 A1\* 1/2009 Watanabe ..... 128/200.14  
2009/0159081 A1\* 6/2009 Stadelhofer ..... 128/203.22  
2011/0049188 A1 3/2011 Parisi et al.

## FOREIGN PATENT DOCUMENTS

CN 301187551 \* 5/2010  
EM 000031000-0001 \* 8/2003

EM 000031000-0002 \* 8/2003  
EM 001032718-0001 \* 12/2008  
GB DES.1047117 \* 9/1988  
JP D1180082 \* 7/2003  
WO WO 2004/037435 5/2004  
WO WO 2004/080515 9/2004  
WO WO 2008/037470 4/2008

\* cited by examiner

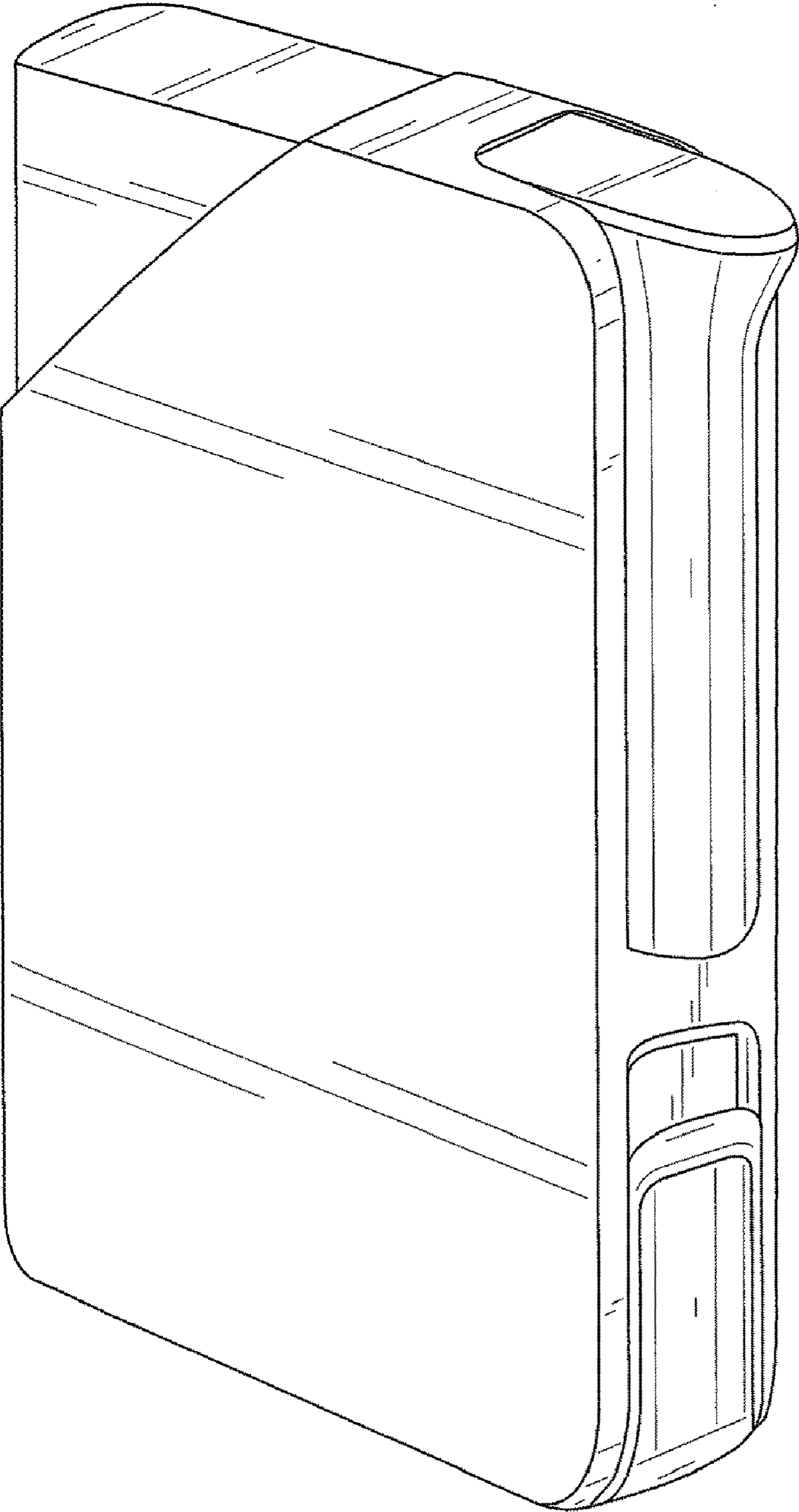


FIG. 1

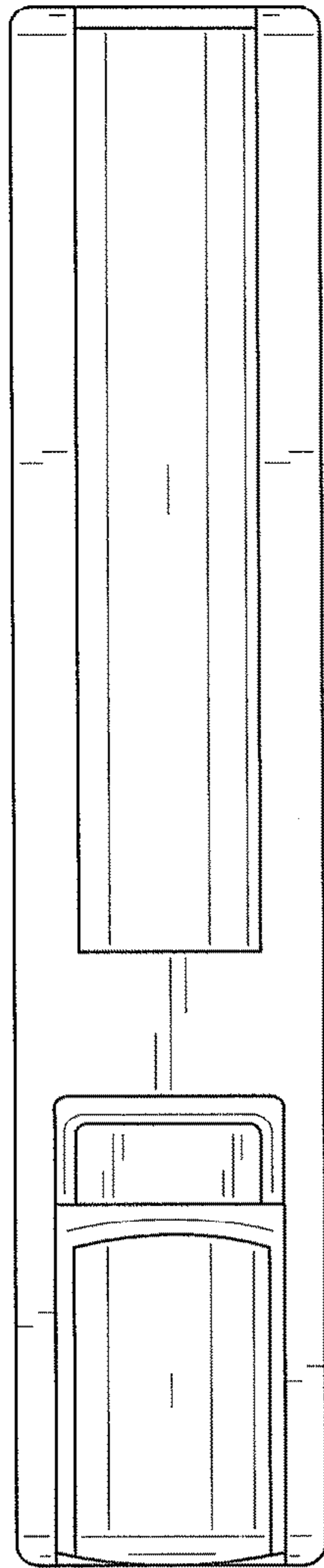


FIG. 2

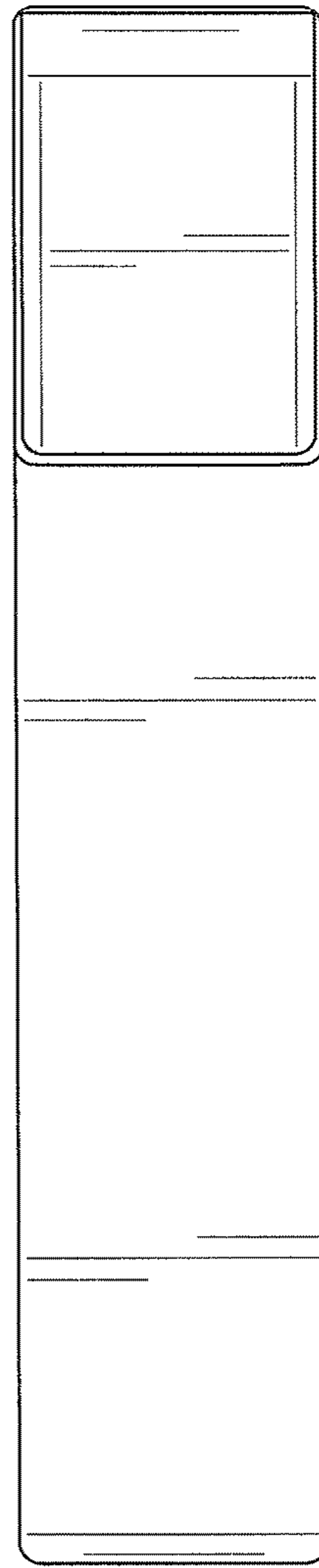


FIG. 3

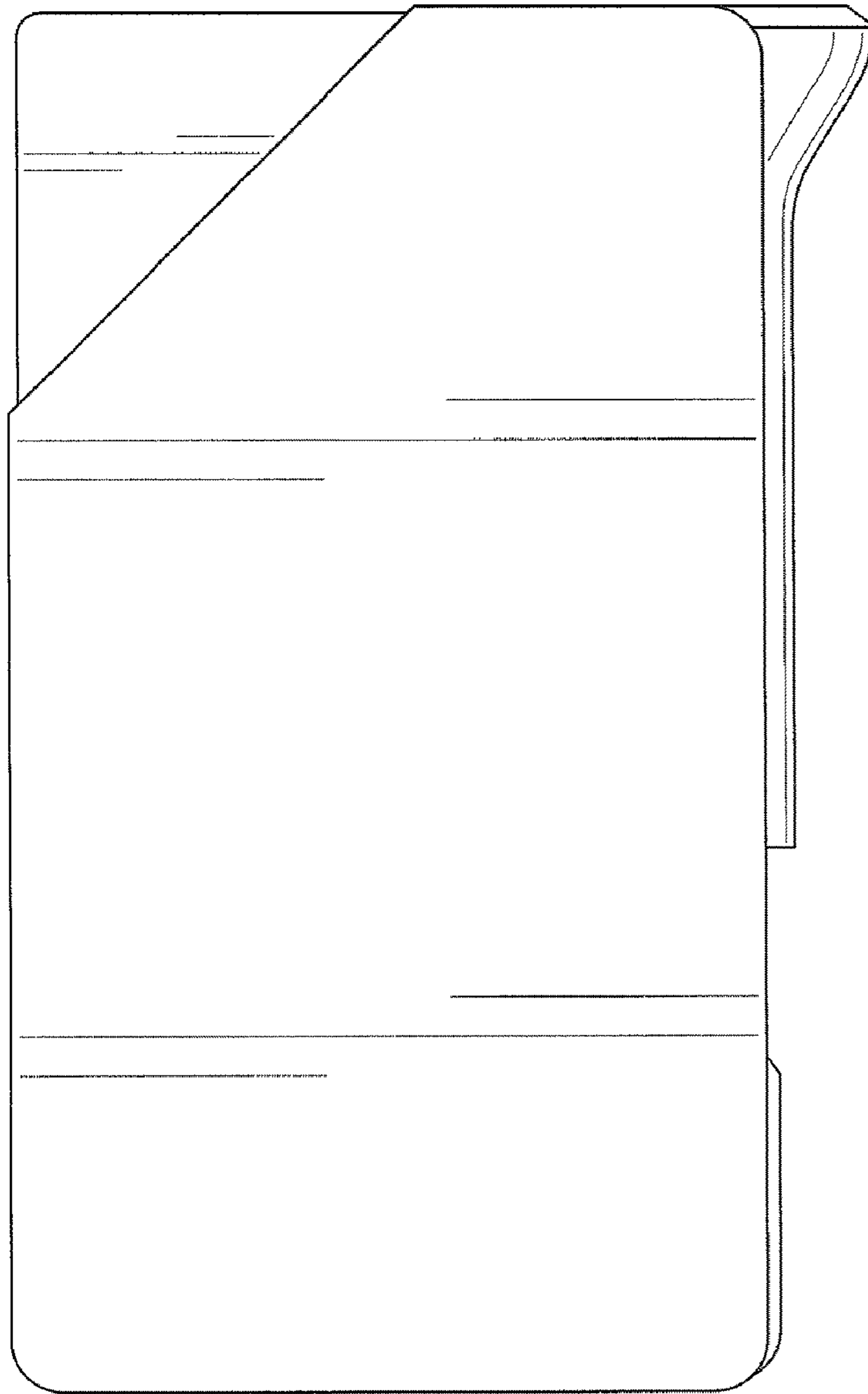


FIG. 4



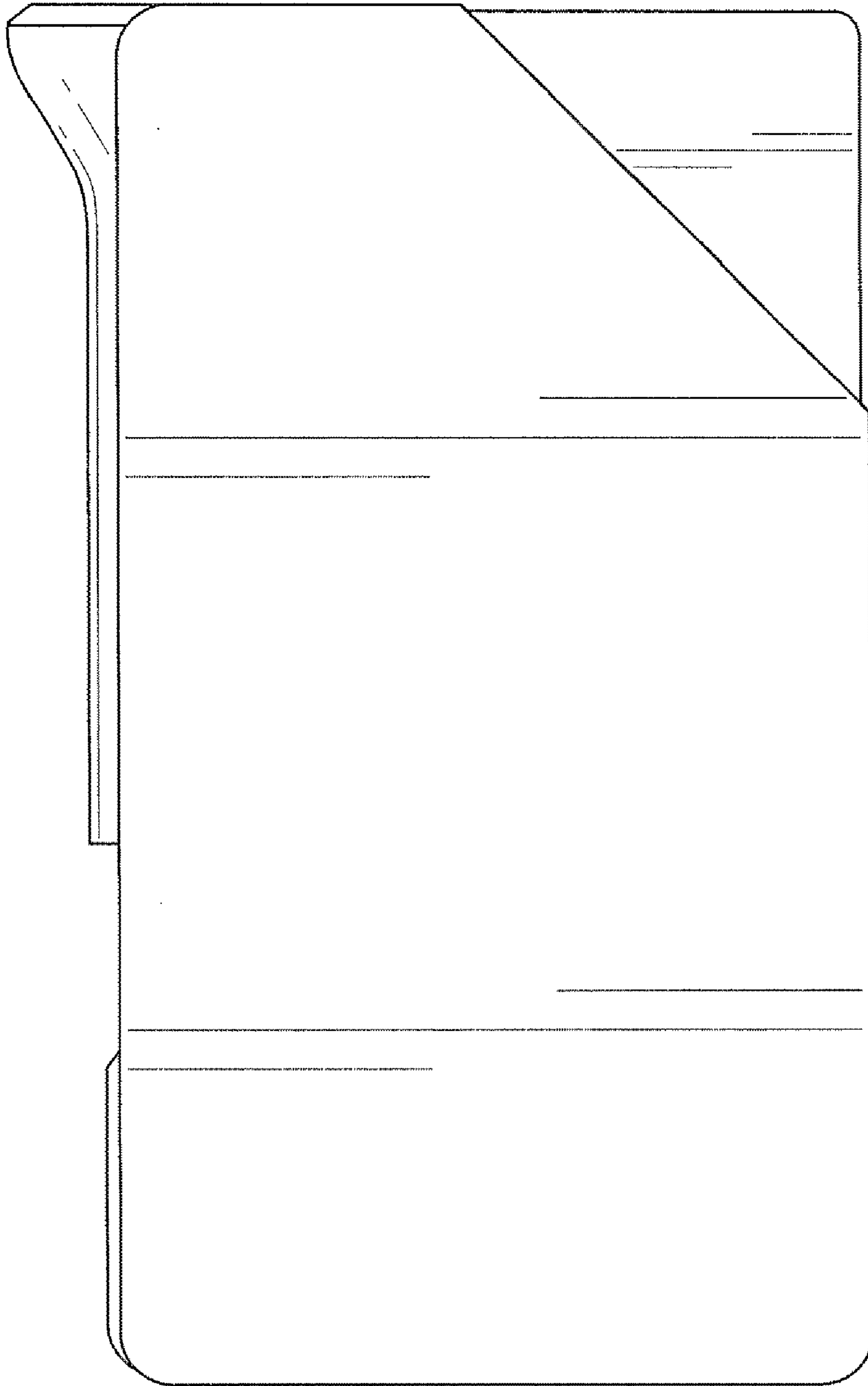


FIG. 5

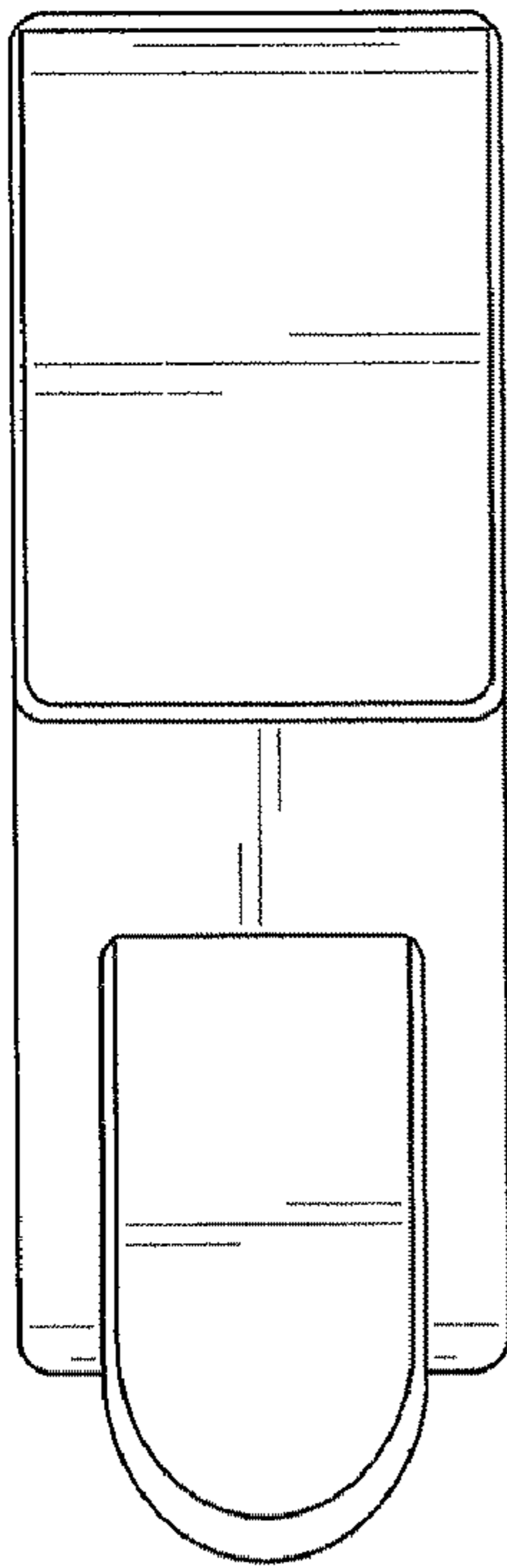


FIG. 6

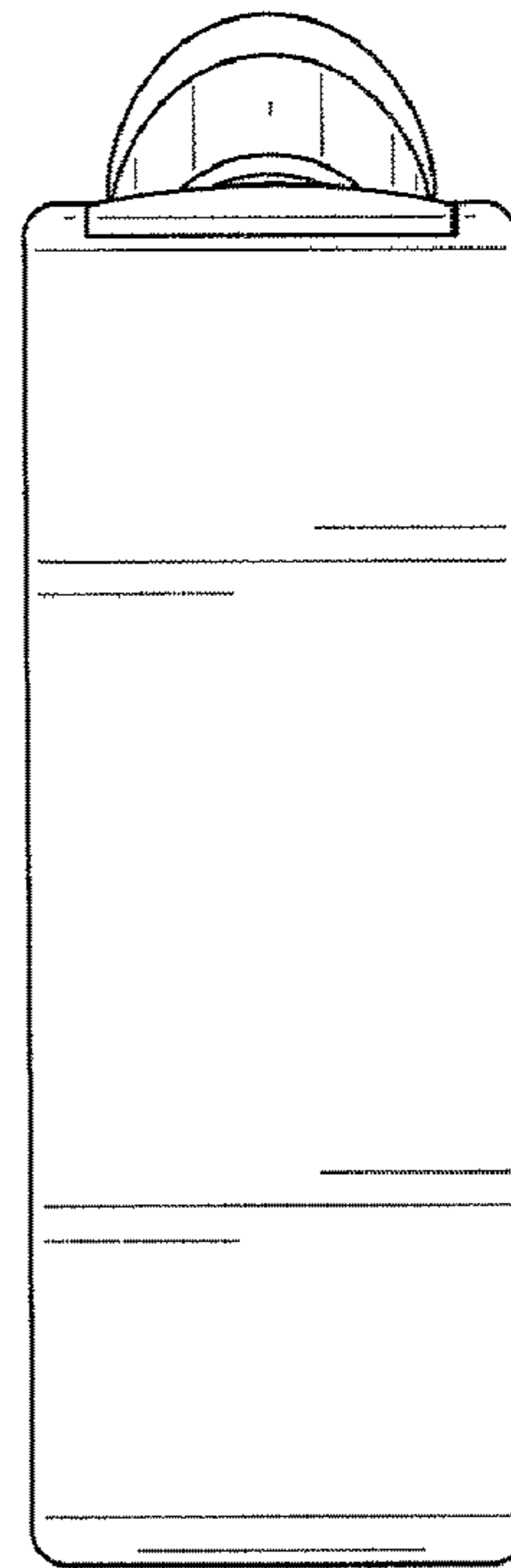


FIG. 7

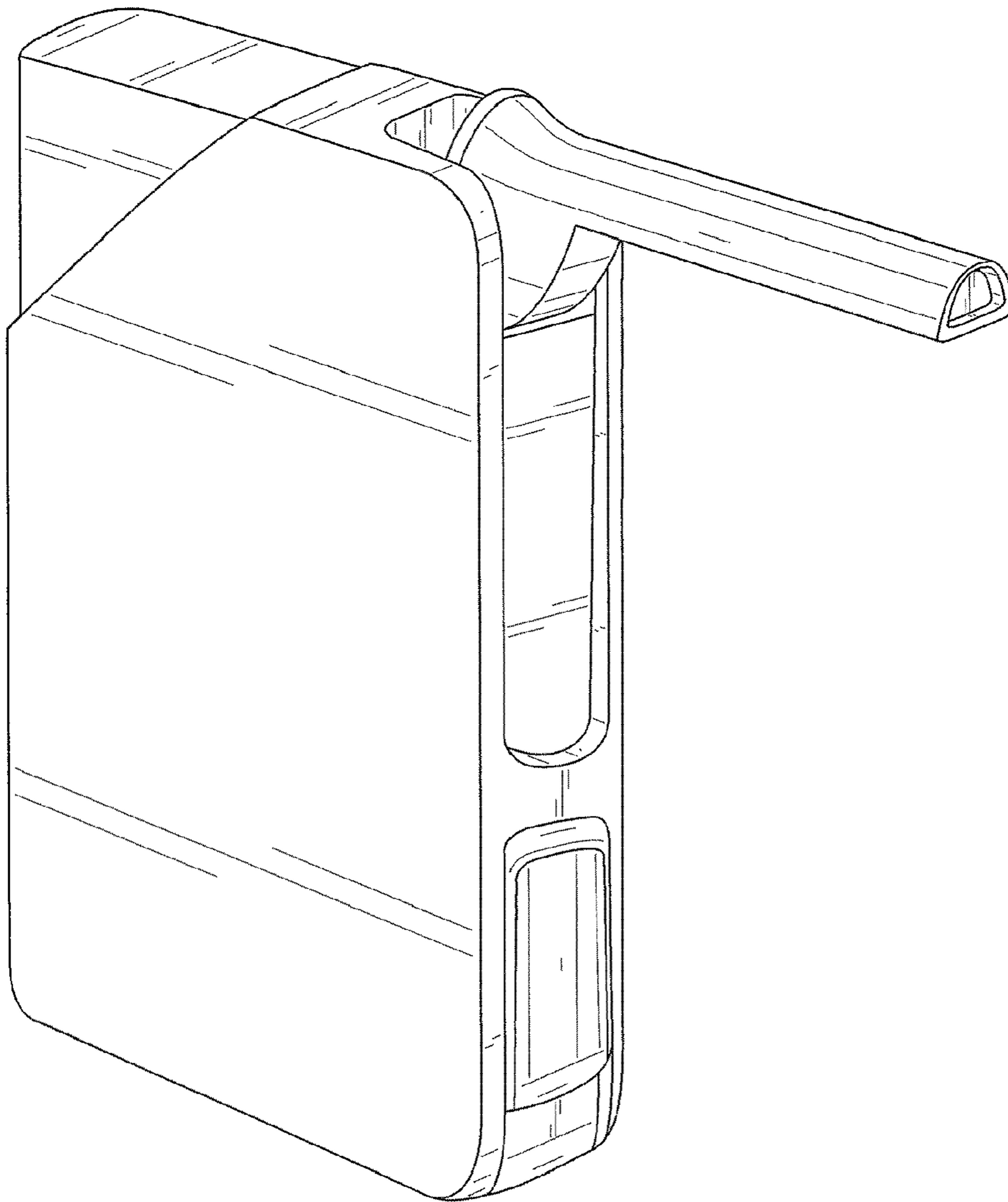


FIG. 8



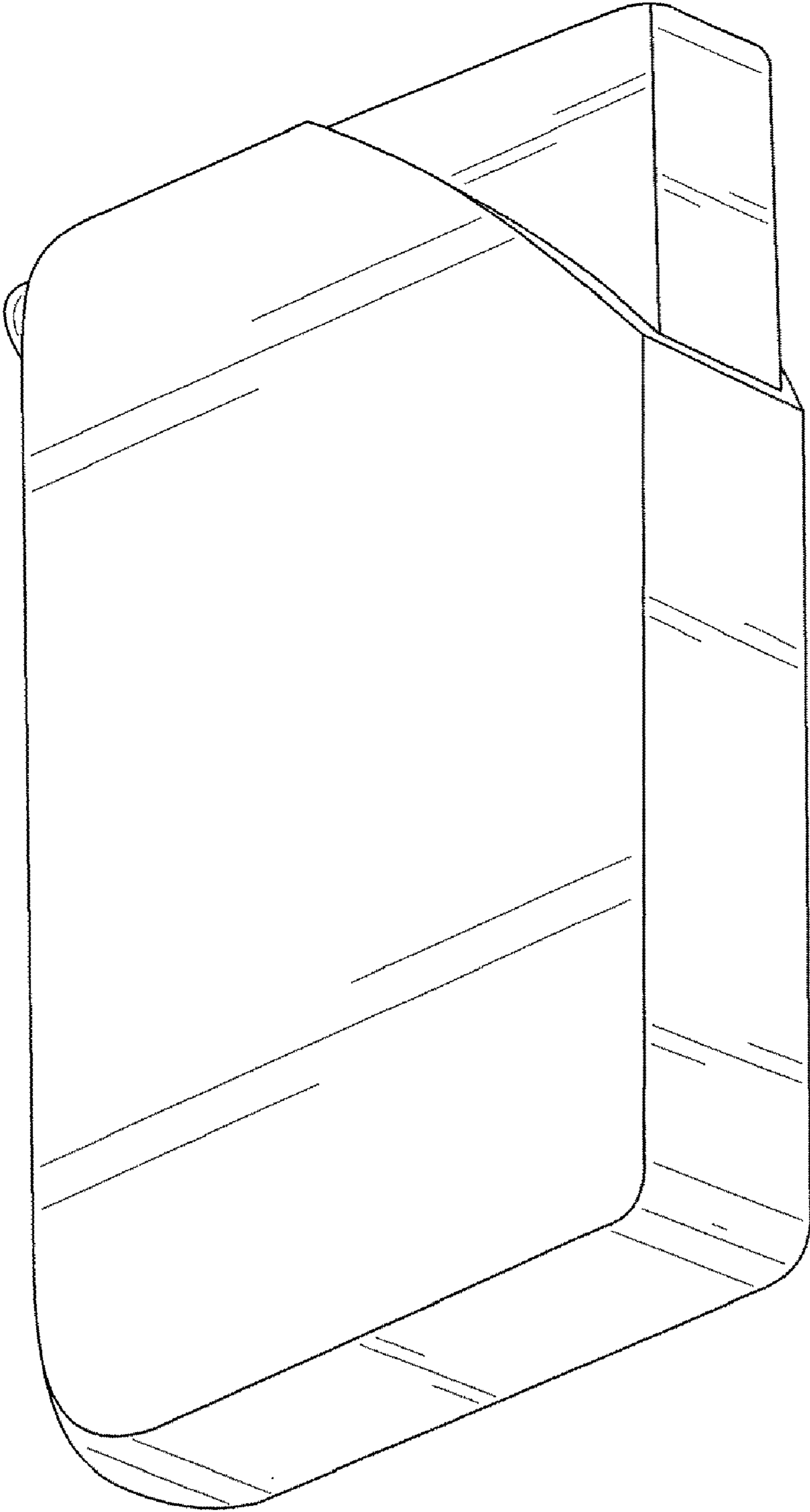


FIG. 9