



US00D650697S

(12) **United States Design Patent**
Durflinger

(10) **Patent No.:** **US D650,697 S**
(45) **Date of Patent:** **** Dec. 20, 2011**

(54) **SPRAY DISPENSING CONTAINER**

(75) Inventor: **Nathan D. Durflinger**, Youngstown, OH (US)

(73) Assignee: **R.J. Reynolds Tobacco Company**, Winston-Salem, NC (US)

(**) Term: **14 Years**

(21) Appl. No.: **29/387,226**

(22) Filed: **Mar. 10, 2011**

(51) **LOC (9) Cl.** **09-01**

(52) **U.S. Cl.** **D9/687**

(58) **Field of Classification Search** D9/682-694, D9/516-575, 434-455, 723-729; D28/5, D28/76, 77, 91.1; 222/129, 135, 153.01, 222/153.03, 153.04, 153.09, 153.11-153.14, 222/182, 631, 635, 209, 211-213, 215, 321.7-321.9, 222/372, 373, 378, 379, 383.1, 384-386, 222/398, 400.7, 400.8, 401, 402.1-402.25; D24/108, 110, 110.5; 128/200.12, 200.14, 128/200.17-200.23, 203.12-203.24; D27/139, D27/141-161, 172, 183-194

See application file for complete search history.

(56) **References Cited**

U.S. PATENT DOCUMENTS

D215,817 S *	11/1969	Gorman	D9/687
D248,046 S *	5/1978	Tada	D24/113
D270,863 S *	10/1983	Martinez	D28/91.1
D271,245 S *	11/1983	Martinez	D28/91.1
D288,491 S *	2/1987	Speitel	D28/91.1
D293,208 S *	12/1987	van der Heijden	D9/521
D306,554 S *	3/1990	Lawson	D9/687
D343,351 S *	1/1994	Haythornthwaite	D9/689
D347,385 S *	5/1994	Kunesh	D9/694
5,927,548 A *	7/1999	Villaveces	222/82
D414,683 S	10/1999	DeJong et al.		
D428,486 S *	7/2000	Schuckmann	D24/110
D480,628 S *	10/2003	Altonen et al.	D9/694
6,712,244 B1	3/2004	Sallows et al.		
6,871,798 B2	3/2005	Mathiez		

7,025,232 B2	4/2006	Green		
D525,871 S *	8/2006	Zeh et al.	D9/521
D532,695 S *	11/2006	Grant	D9/521
D541,170 S	4/2007	Bloc		
7,249,720 B2	7/2007	Mathiez		
D549,573 S *	8/2007	Liebe et al.	D9/420
D556,056 S *	11/2007	Thomas et al.	D9/738
D568,736 S *	5/2008	Born et al.	D9/424
D593,420 S *	6/2009	Augenbraun et al.	D9/529
D608,218 S	1/2010	Llewellyn et al.		
D611,351 S *	3/2010	Mansau	D9/529
D615,420 S *	5/2010	Joo et al.	D9/730

(Continued)

FOREIGN PATENT DOCUMENTS

CN 3402102 * 11/2004

(Continued)

Primary Examiner — Catherine Tuttle

(74) *Attorney, Agent, or Firm* — Womble Carlyle Sandridge & Rice, LLP

(57) **CLAIM**

The ornamental design for a spray dispensing container, as shown and described.

DESCRIPTION

FIG. 1 is a bottom, front perspective view of a spray dispensing container showing my new design in a closed configuration;

FIG. 2 is a top, rear perspective view thereof;

FIG. 3 is a front view thereof;

FIG. 4 is a rear view thereof;

FIG. 5 is a side view thereof;

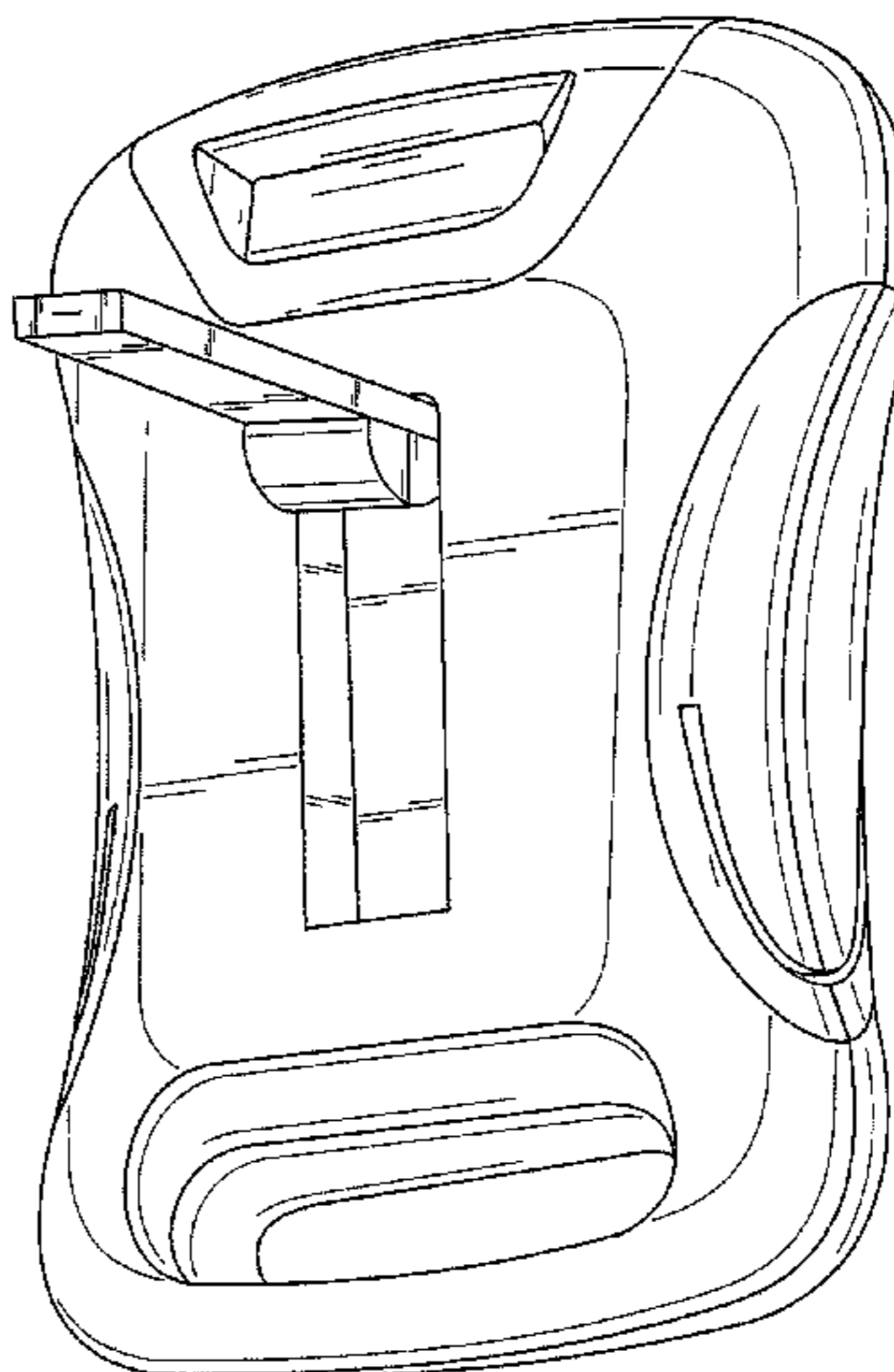
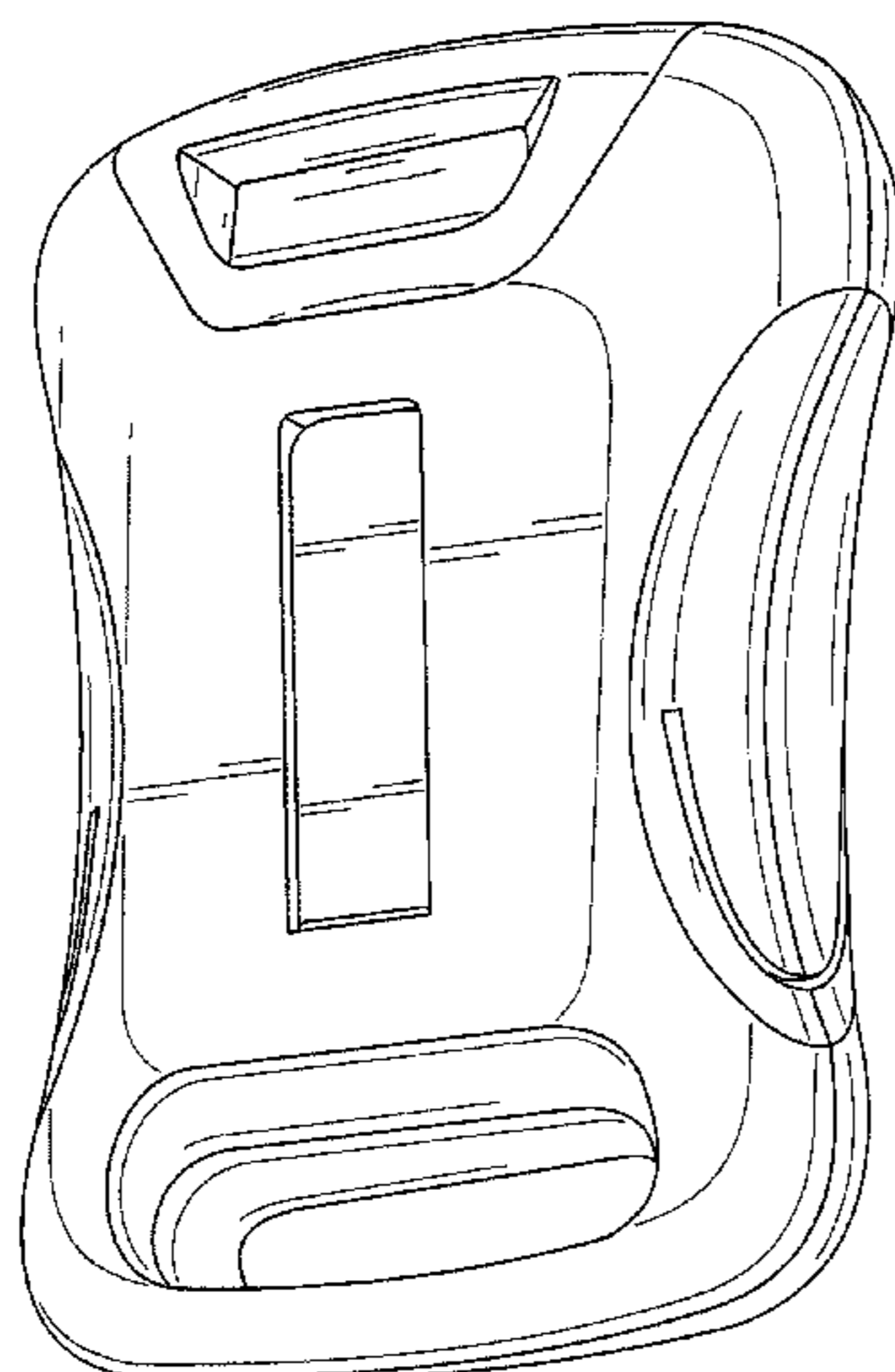
FIG. 6 is a side view thereof wherein the container is rotated along a horizontal axis 180° in relation to the view illustrated in FIG. 5;

FIG. 7 is a top plan view thereof;

FIG. 8 is a bottom plan view thereof; and,

FIG. 9 is a bottom, front perspective view showing my design in an open configuration.

1 Claim, 7 Drawing Sheets



US D650,697 S

Page 2

U.S. PATENT DOCUMENTS

D634,204 S 3/2011 Llewellyn et al.
2006/0231453 A1 10/2006 Grant et al.
2008/0210659 A1* 9/2008 McKinney et al. 215/382
2011/0049188 A1 3/2011 Parisi et al.

FOREIGN PATENT DOCUMENTS

CN 3483912 * 11/2005
CN 3496631 * 1/2006
CN 3607098 * 2/2007

CN 300841948 * 10/2008
EM 000407929-0003 * 11/2005
EM 000846779-0001 * 2/2010
KR 300380566 .0000 * 5/2005
KR 300430622.0000 * 11/2006
KR 300531876.0000 * 6/2009
KR 300564821.0000 * 6/2010
WO WO 2004/037435 5/2004
WO WO 2004/080515 9/2004
WO WO 2008/037470 4/2008

* cited by examiner

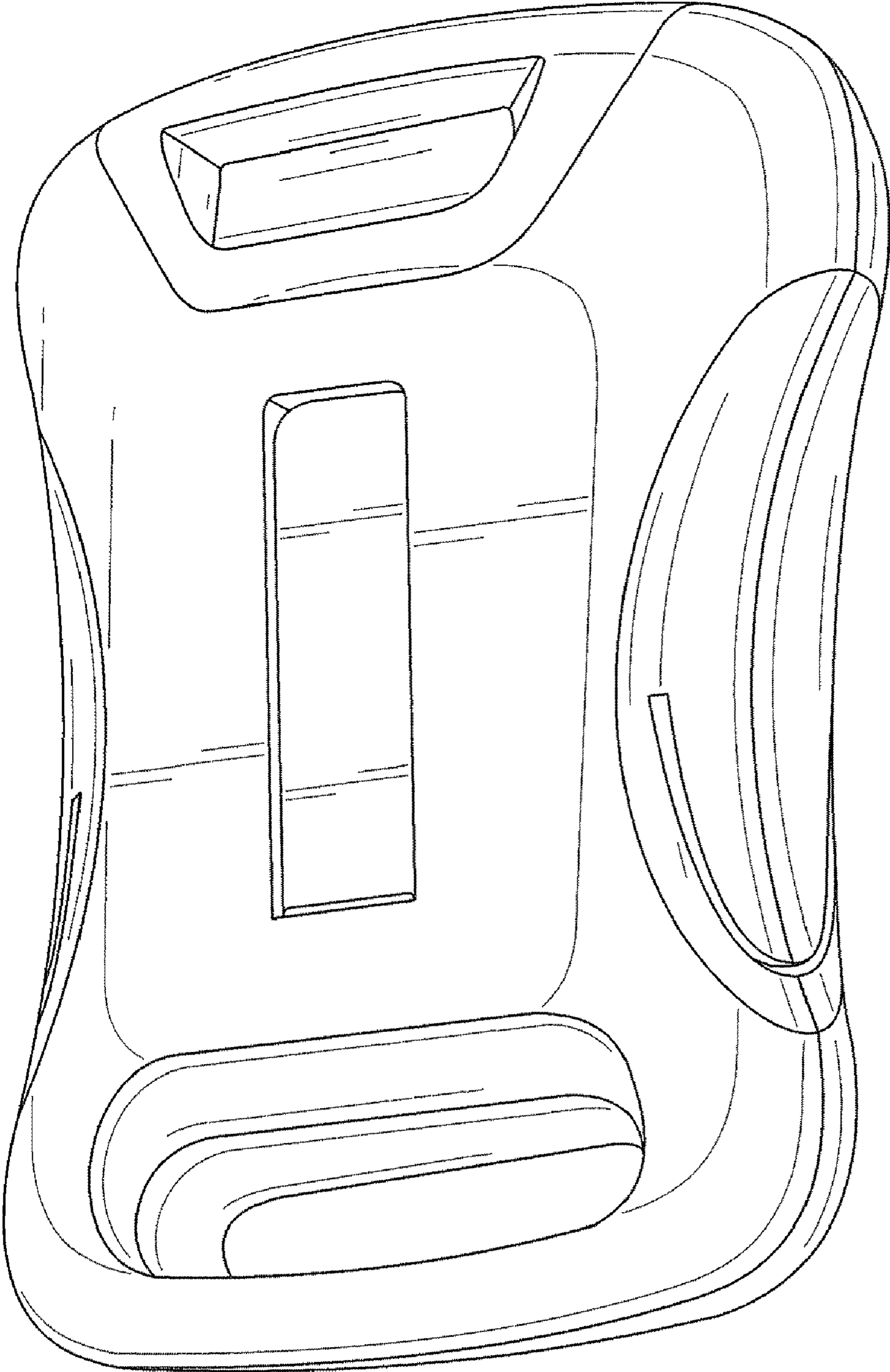


FIG. 1

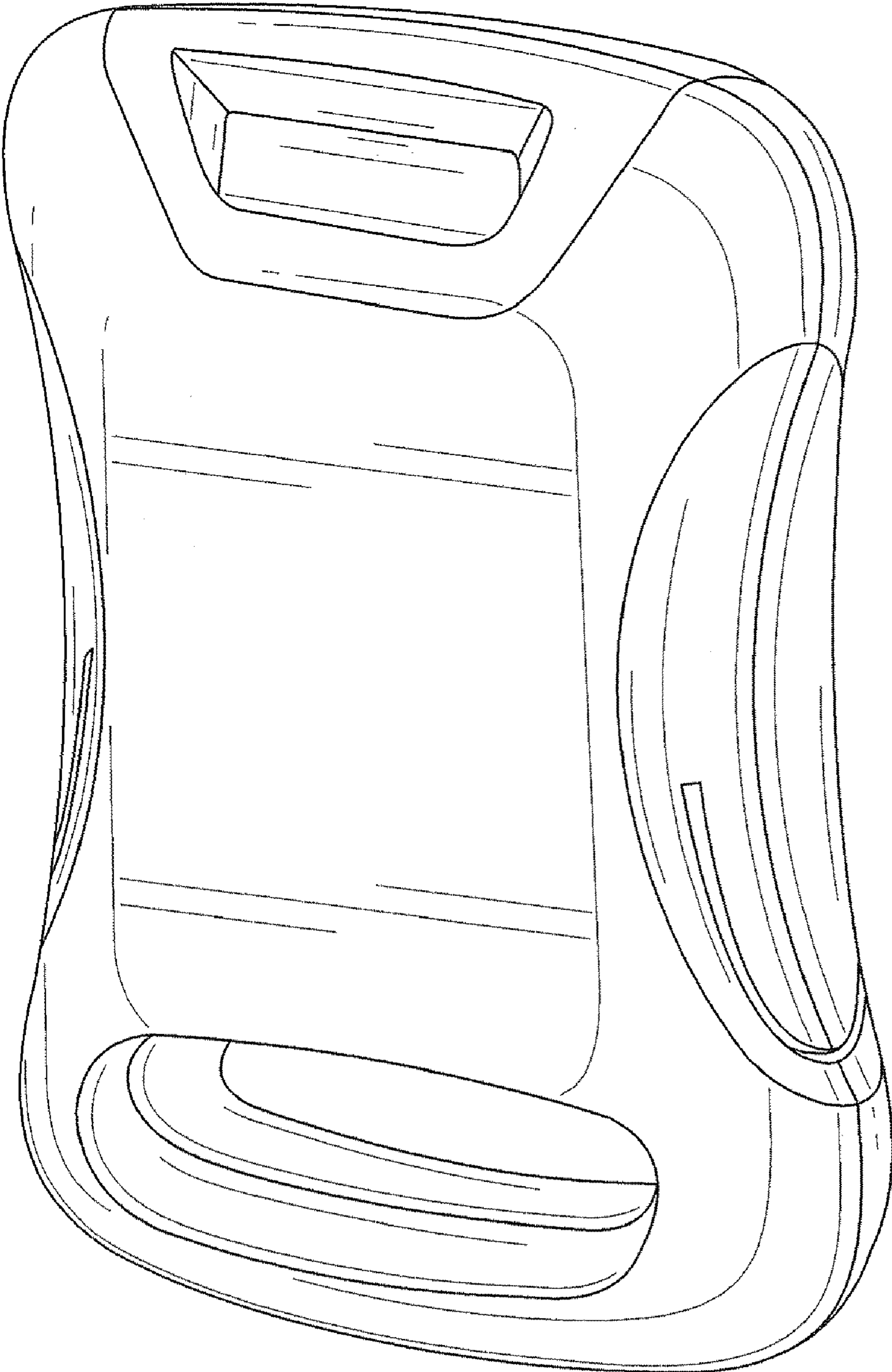


FIG. 2

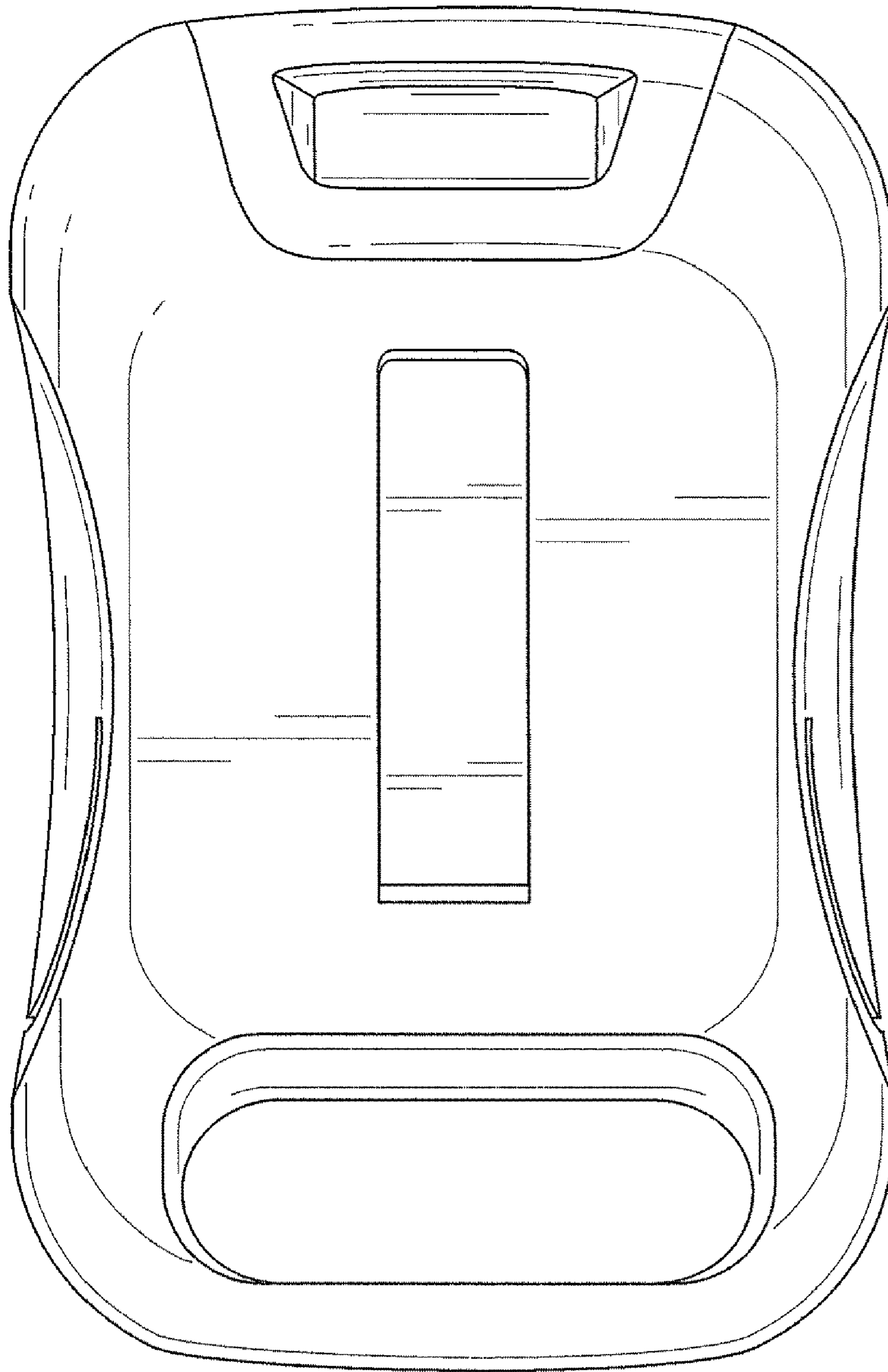


FIG. 3

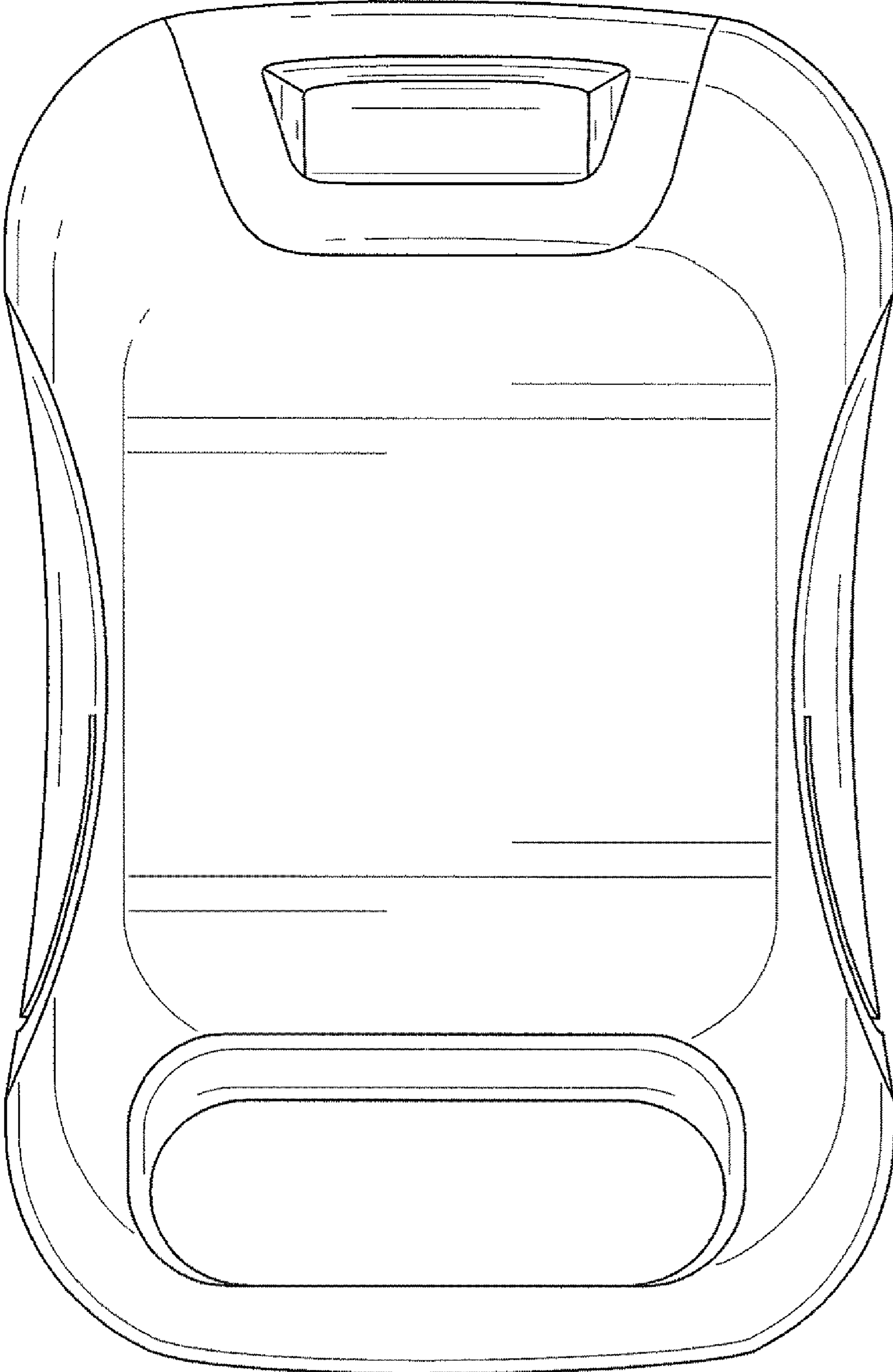


FIG. 4

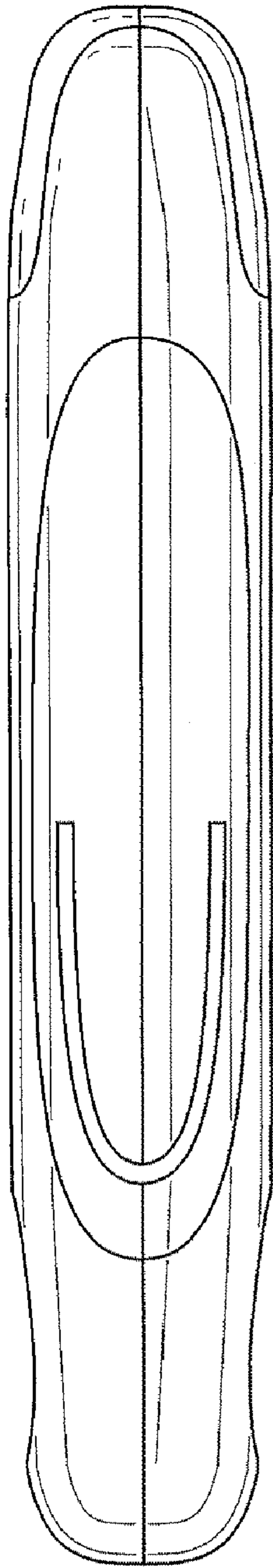


FIG. 5

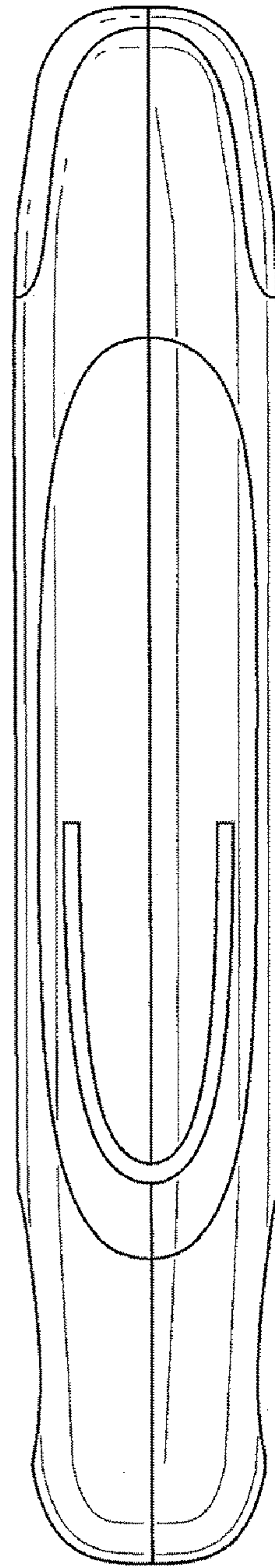


FIG. 6

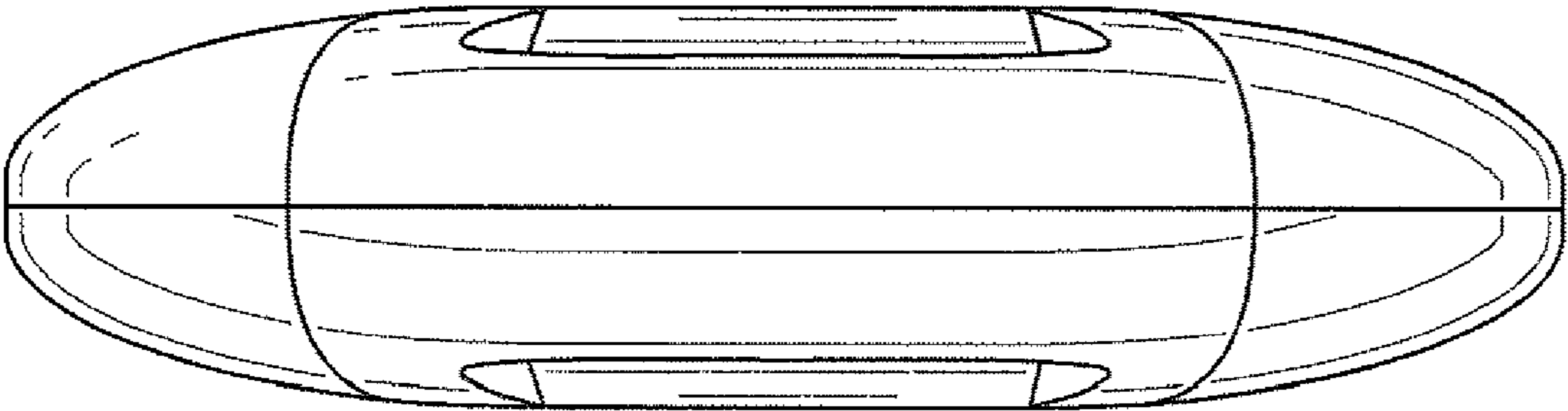


FIG. 7

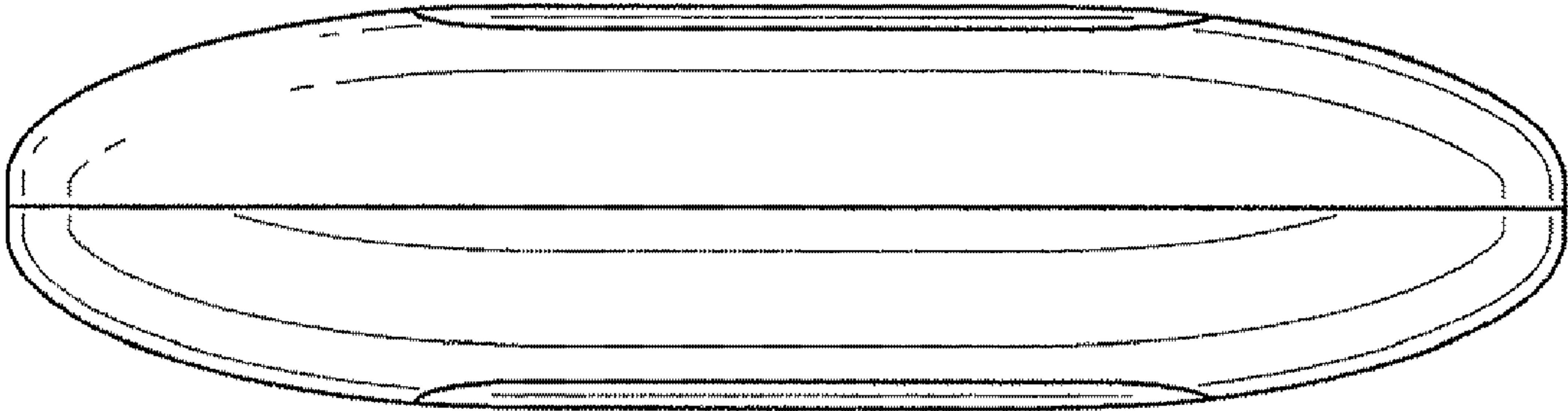


FIG. 8

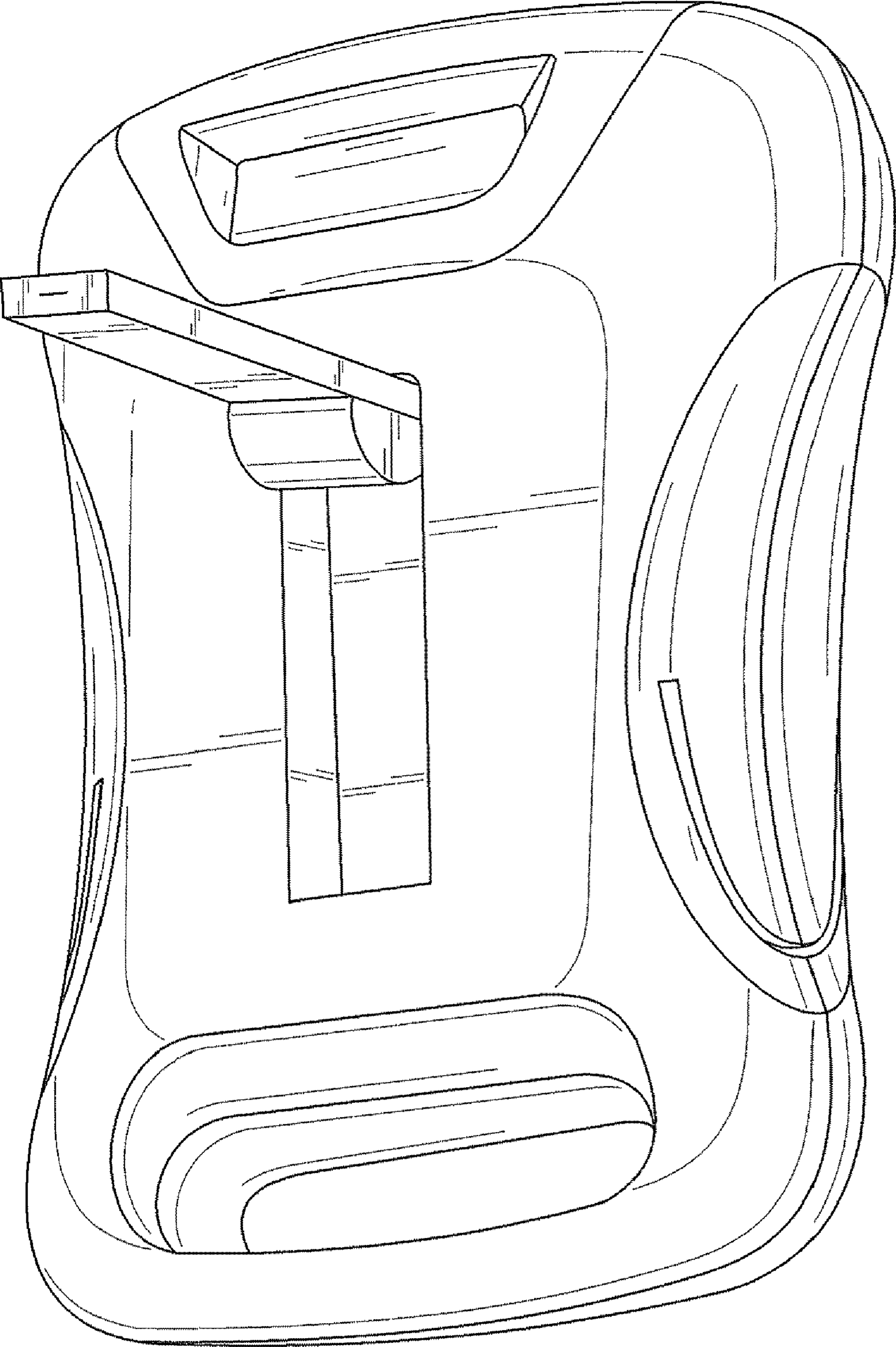


FIG. 9