



US00D650695S

(12) **United States Design Patent**
Talbott et al.

(10) **Patent No.:** **US D650,695 S**

(45) **Date of Patent:** **** Dec. 20, 2011**

(54) **SHOTGUN SHELL CONTAINER**

(75) Inventors: **Thomas W. Talbott**, Gorham, ME (US);
Reginald D. Groff, III, Falmouth, ME
(US)

(73) Assignee: **Zombie Blast, LLC**, Cerritos, CA (US)

(**) Term: **14 Years**

(21) Appl. No.: **29/363,420**

(22) Filed: **Jun. 9, 2010**

(51) **LOC (9) Cl.** **09-01**

(52) **U.S. Cl.** **D9/680; D22/116**

(58) **Field of Classification Search** D3/211,
D3/270, 271.1; D9/600, 680, 428-429; D22/116;
206/3, 457-458; 220/890

See application file for complete search history.

(56) **References Cited**

U.S. PATENT DOCUMENTS

D51,974 S * 4/1918 Sherman D22/116
D204,608 S * 5/1966 Sobolewski D22/116
5,755,055 A * 5/1998 Thompson et al. 42/71.01

D415,547 S * 10/1999 Klima et al. D22/116
D499,552 S * 12/2004 Nissanoff et al. D9/428
D535,476 S * 1/2007 Pennington D3/271.1

* cited by examiner

Primary Examiner — Sandra Morris

(74) *Attorney, Agent, or Firm* — Sinorica, LLC

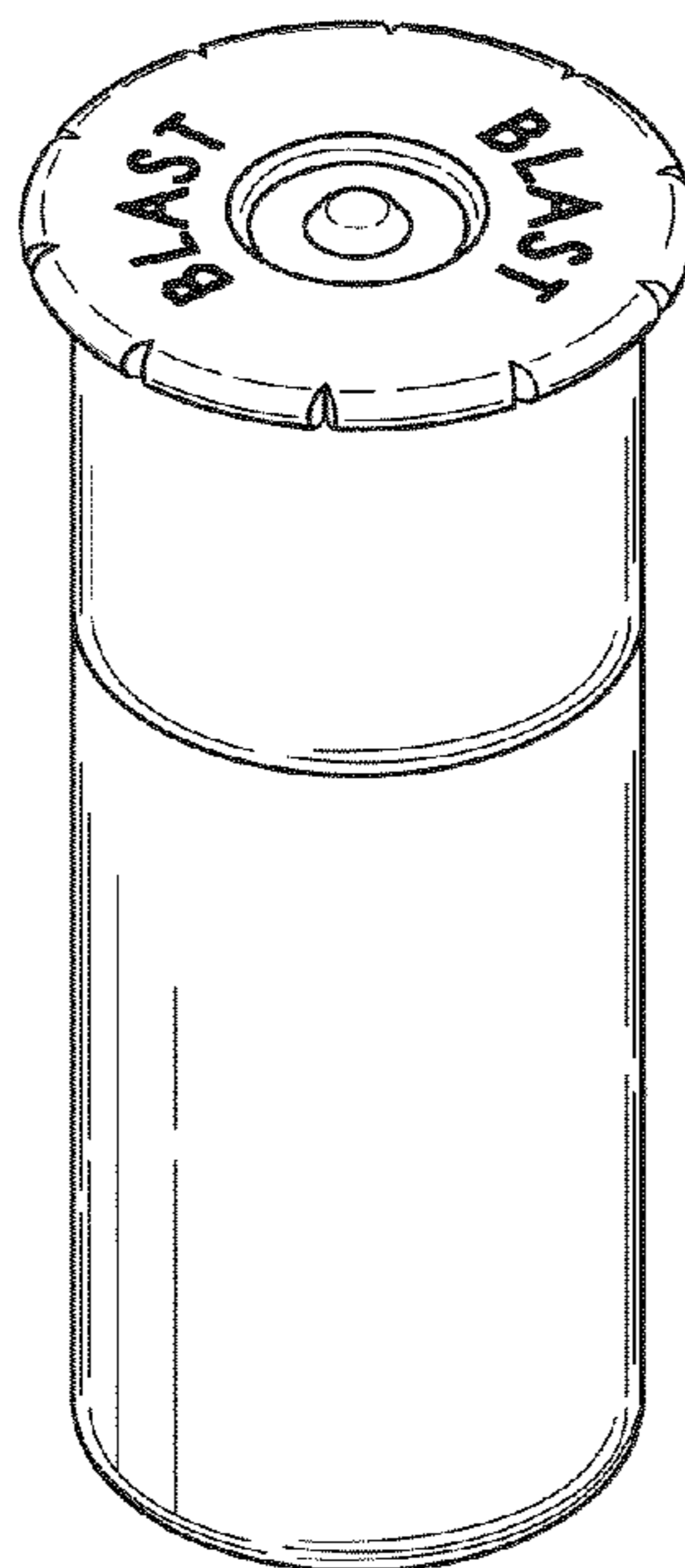
(57) **CLAIM**

The ornamental design for a shotgun shell container, as shown and described.

DESCRIPTION

FIG. 1 is a perspective view of a shotgun shell container;
FIG. 2 is a perspective view thereof with the lid detached;
FIG. 3 is a front elevational view thereof;
FIG. 4 is a rear elevational view thereof;
FIG. 5 is a left-side elevational view thereof;
FIG. 6 is a right-side elevational view thereof;
FIG. 7 is a top plan view thereof;
FIG. 8 is a bottom plan view thereof. The broken lines in FIG.
8 are included for the purpose of illustrating a portion of the
bottom that forms no part of the claimed design;
FIG. 9 is a bottom view of the lid thereof; and,
FIG. 10 is a top view of the container thereof.

1 Claim, 7 Drawing Sheets



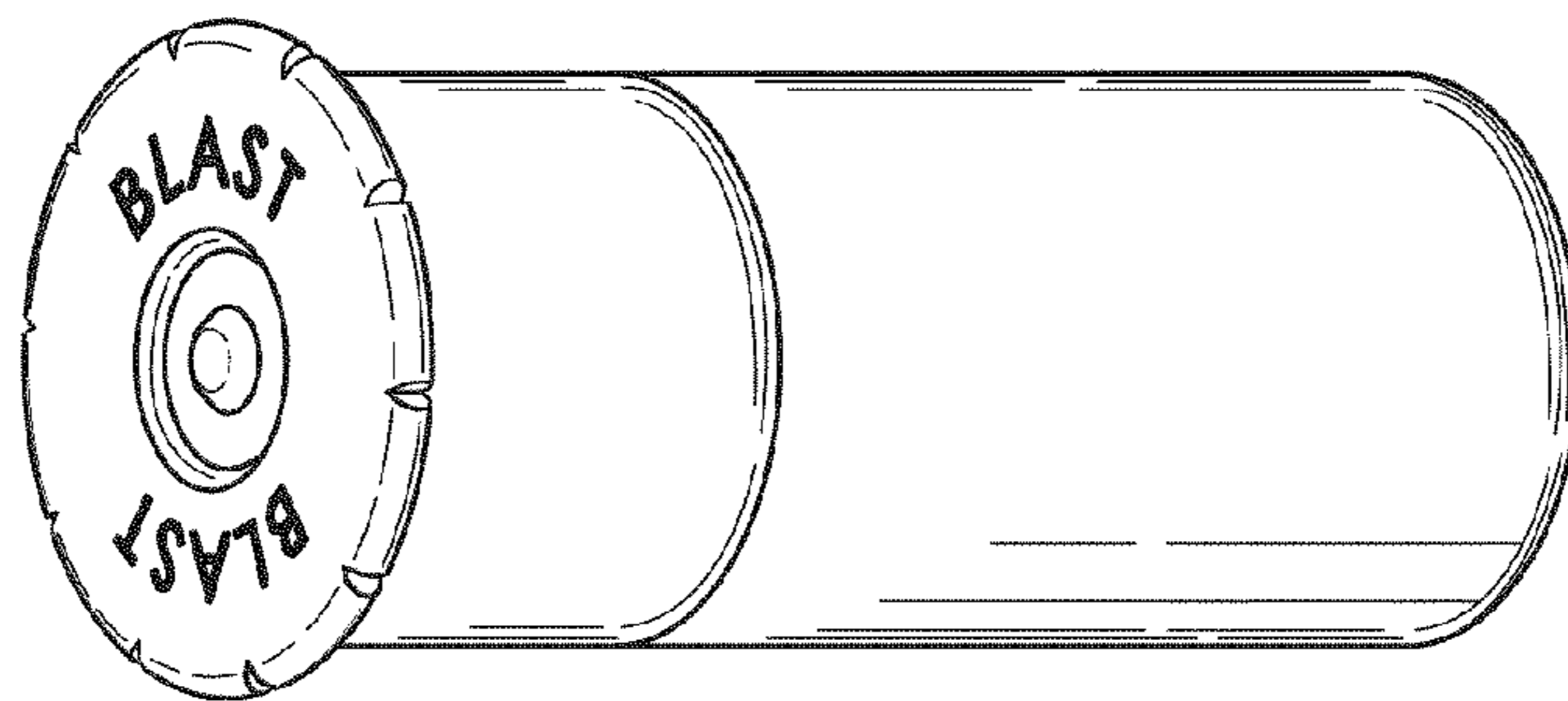


FIG. 1

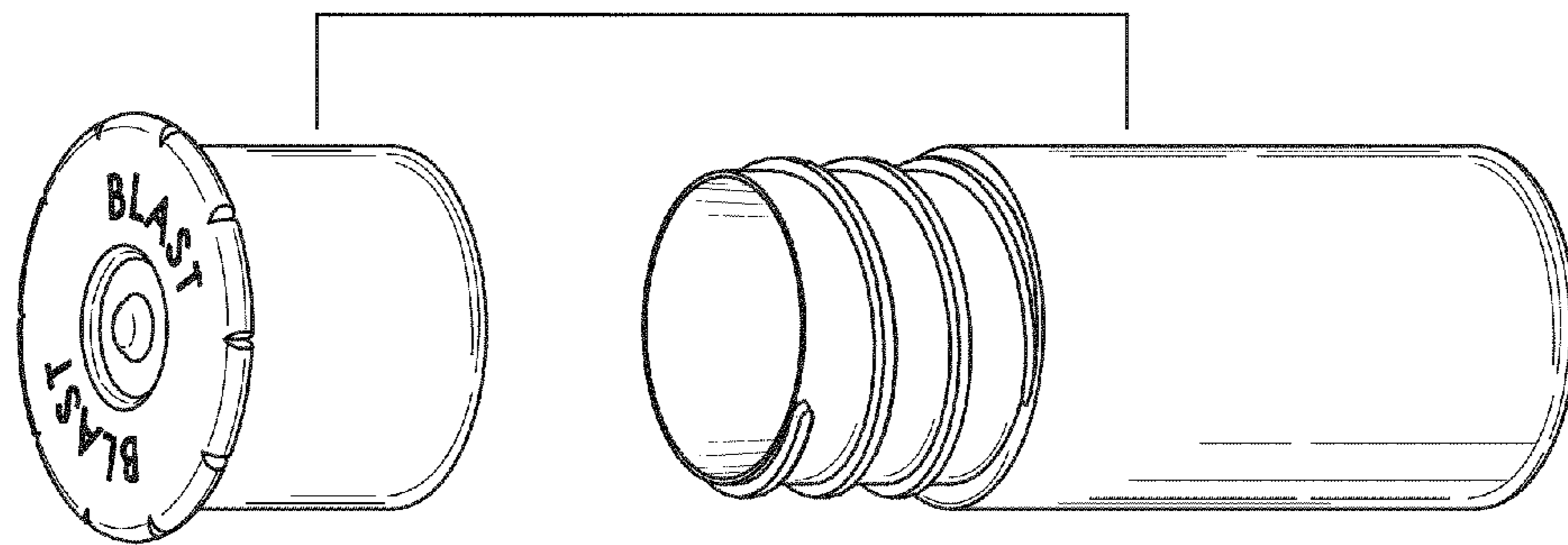


FIG. 2

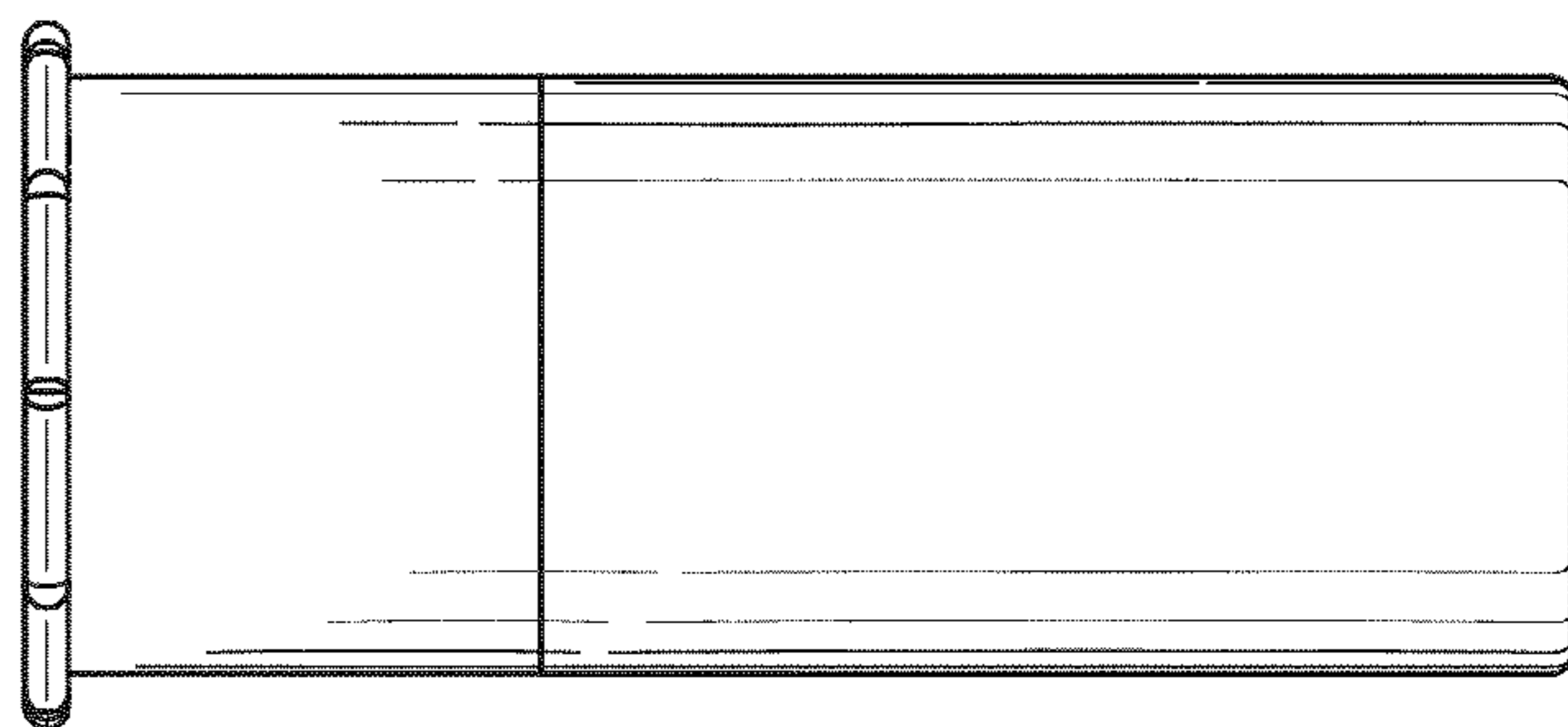


FIG. 4

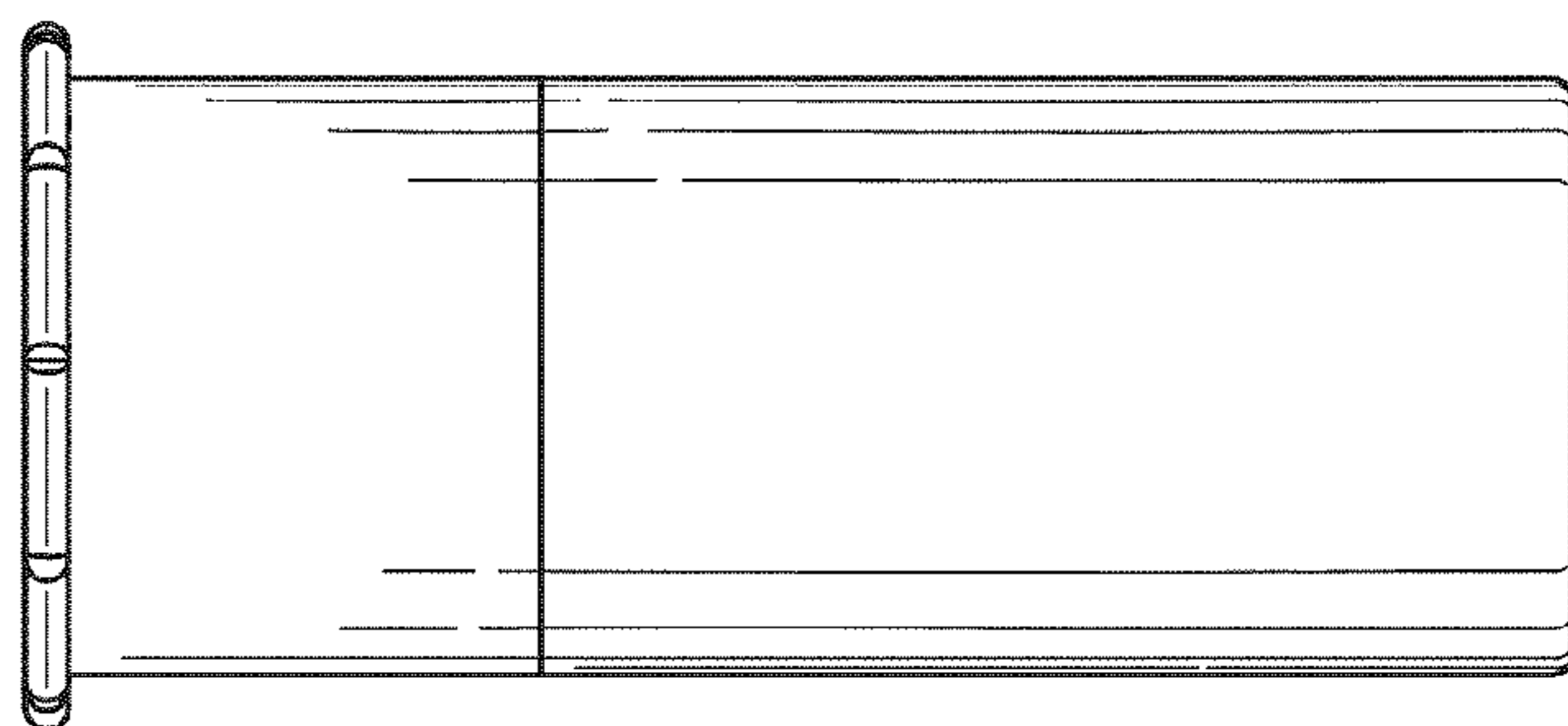


FIG. 3

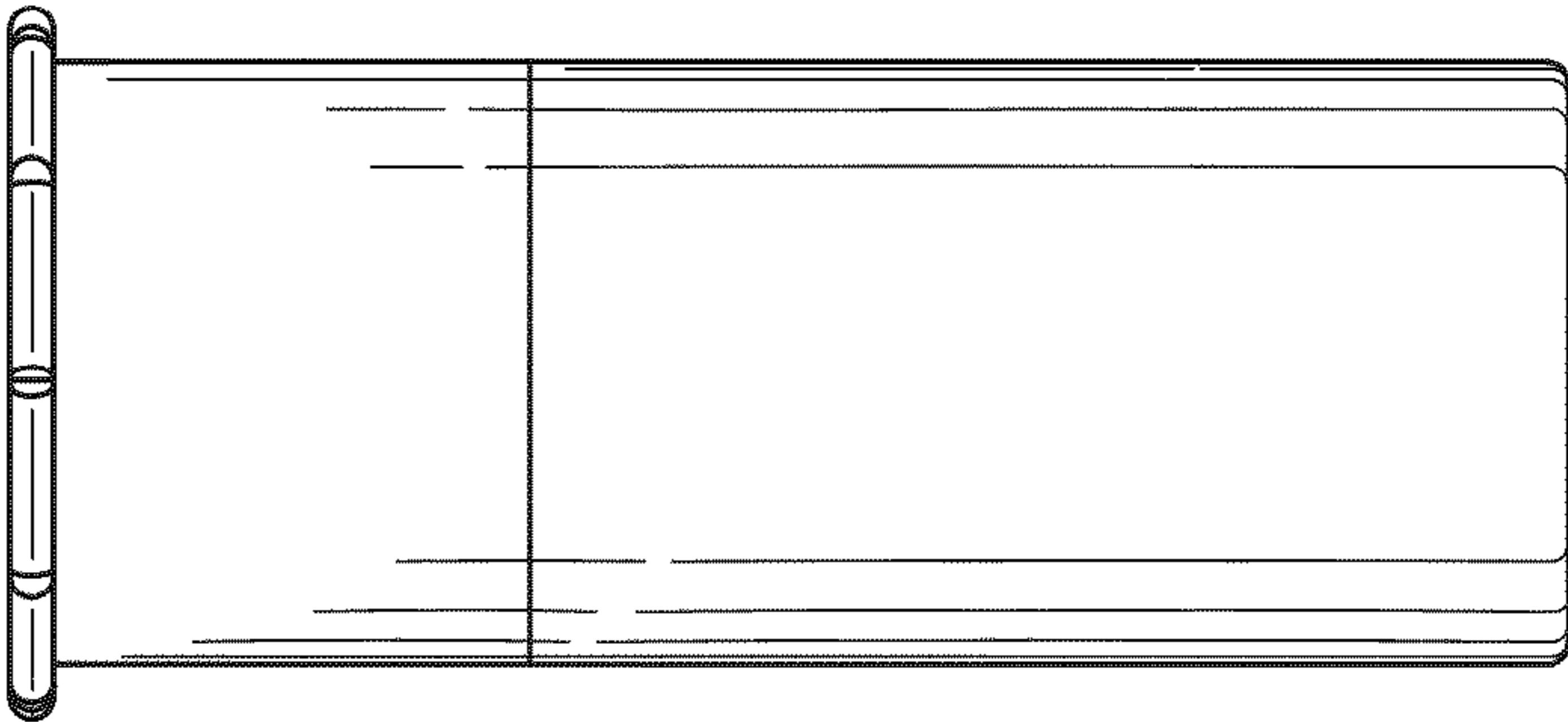


FIG. 6

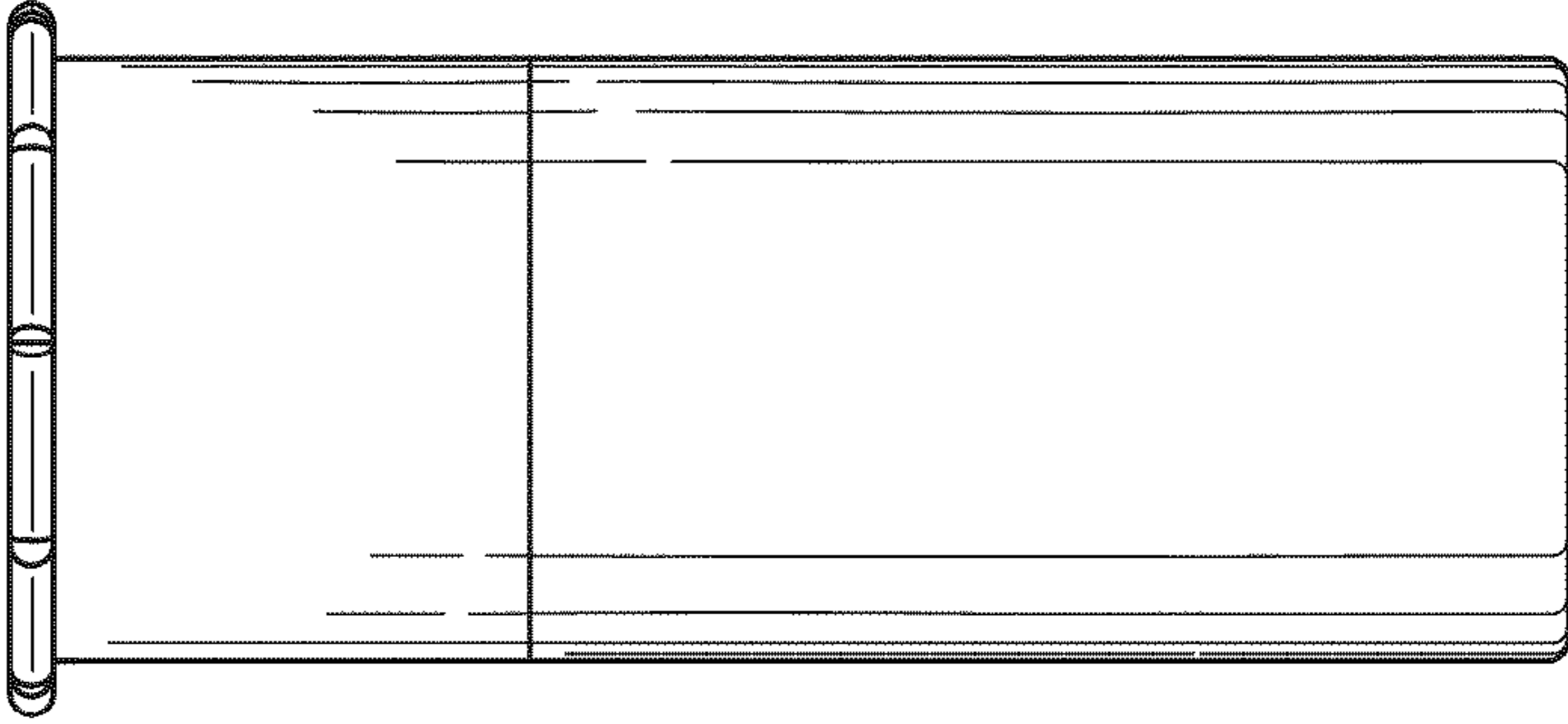


FIG. 5

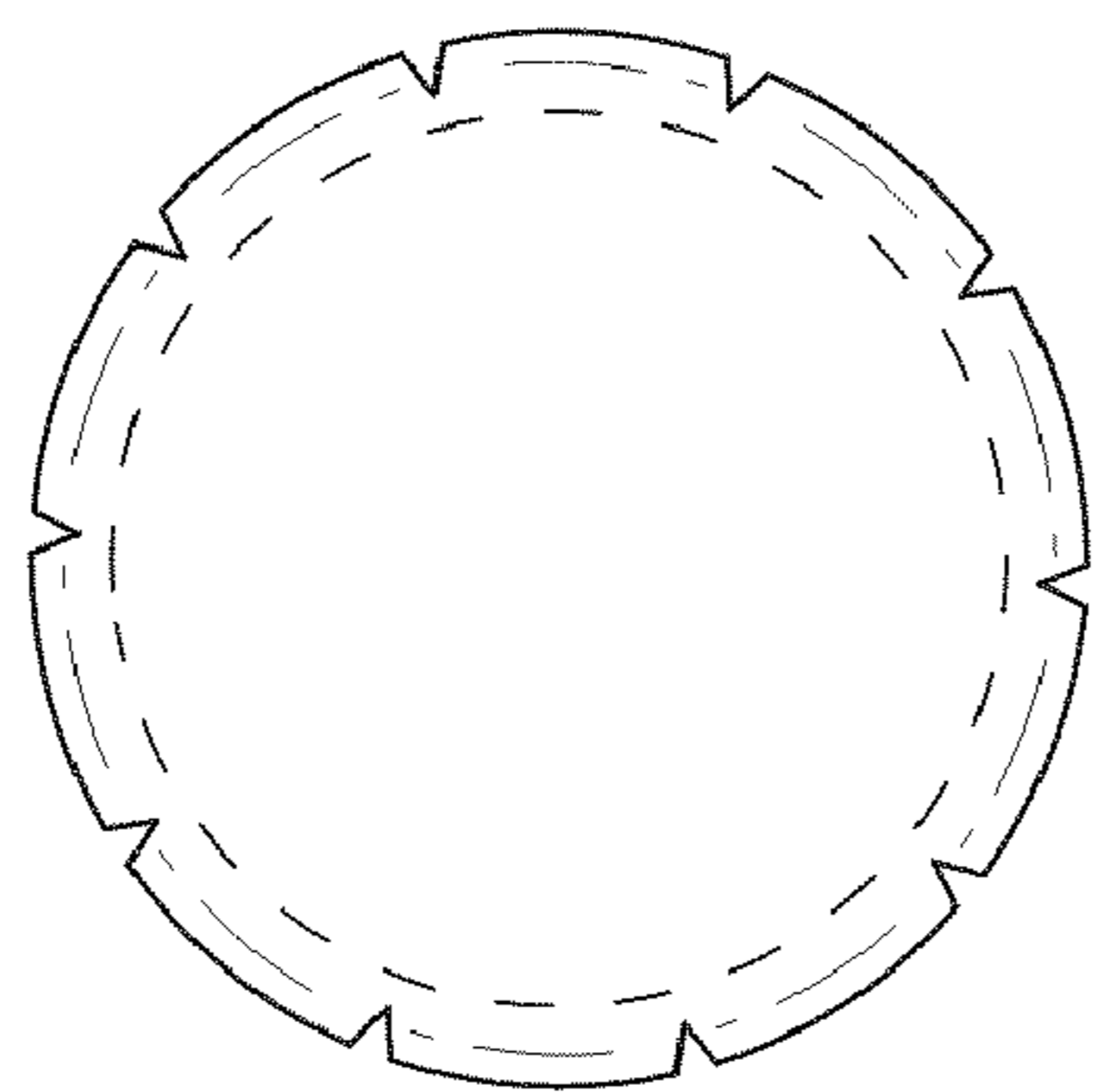


FIG. 8

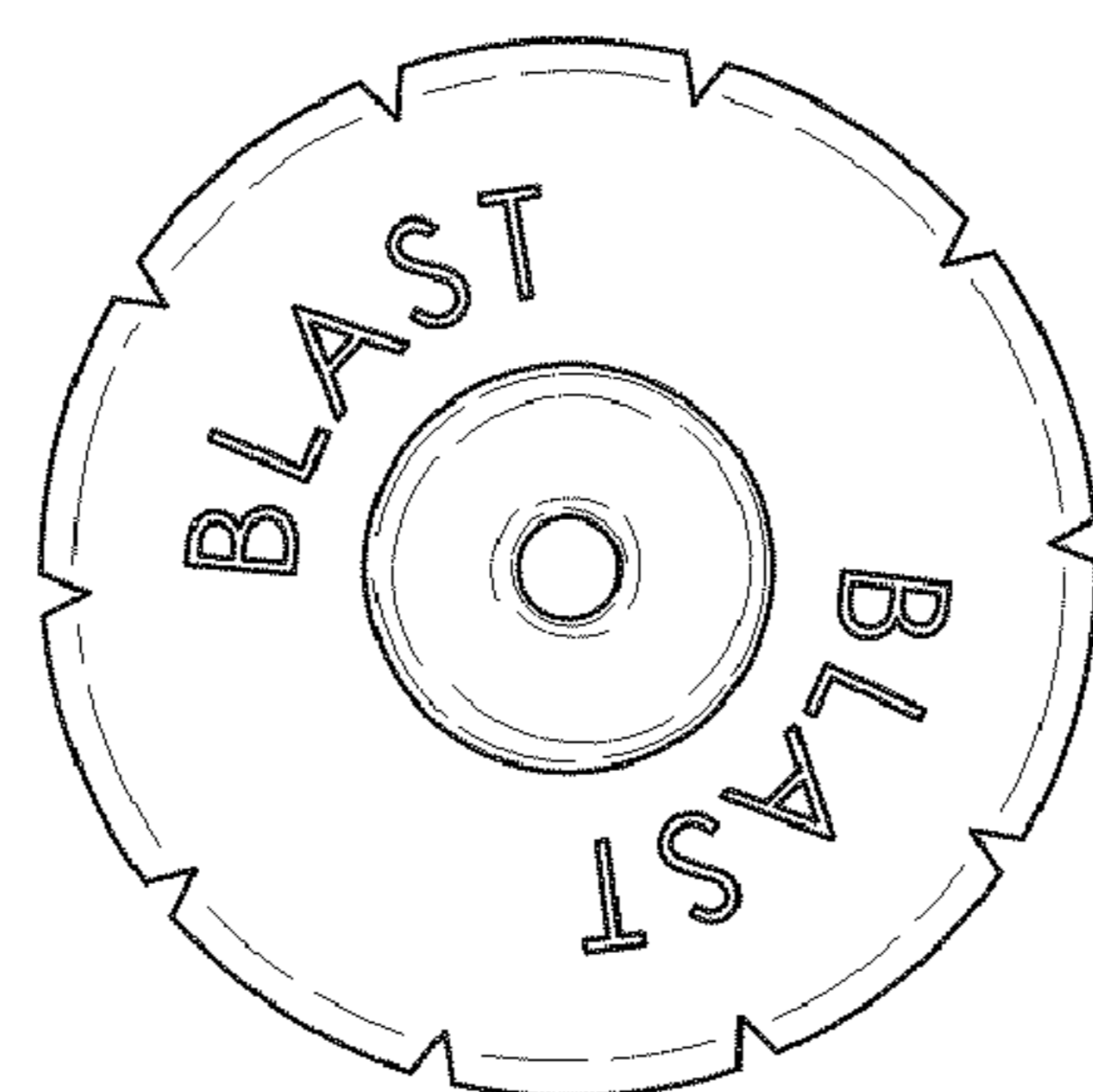


FIG. 7

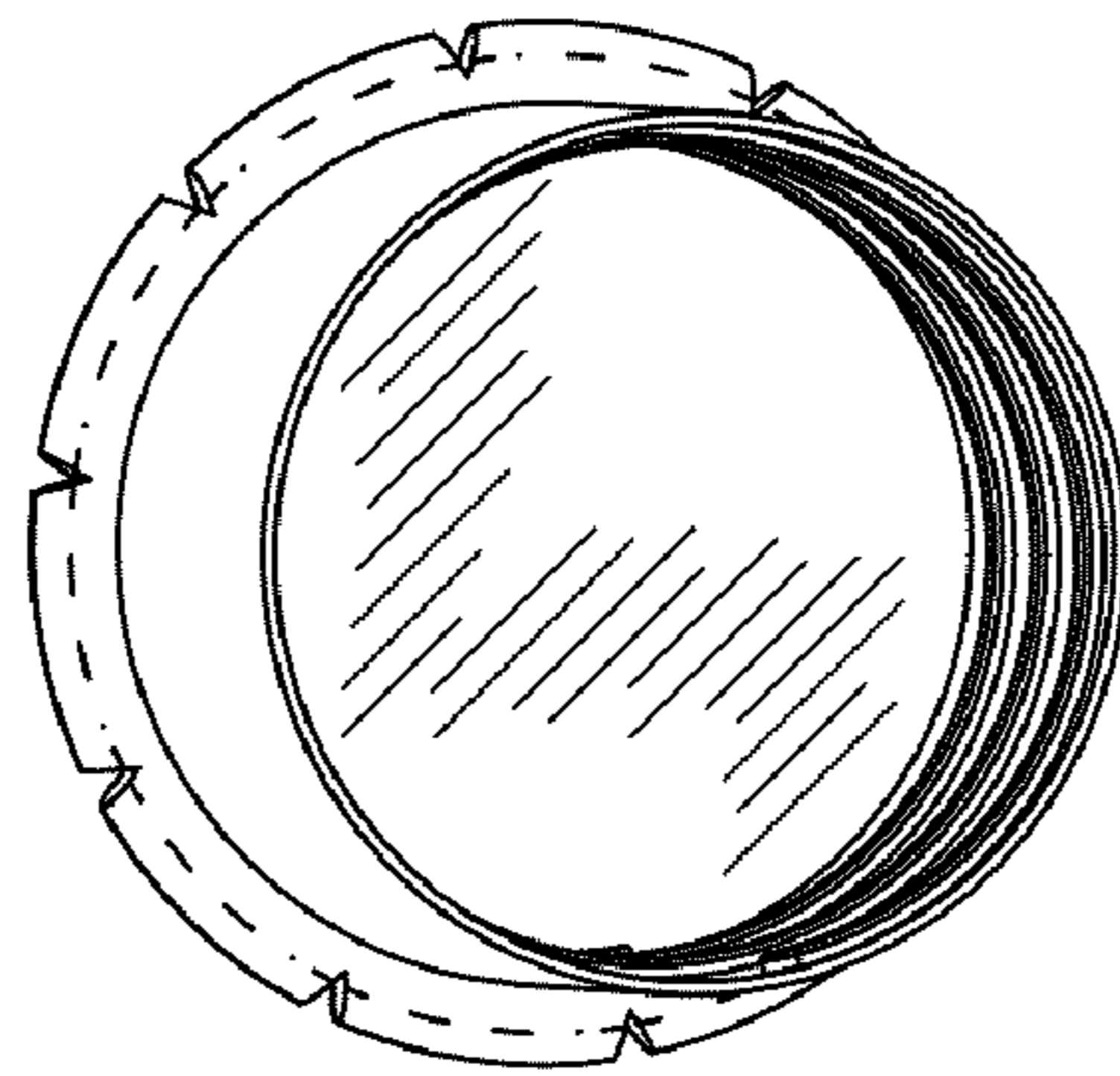


FIG. 9

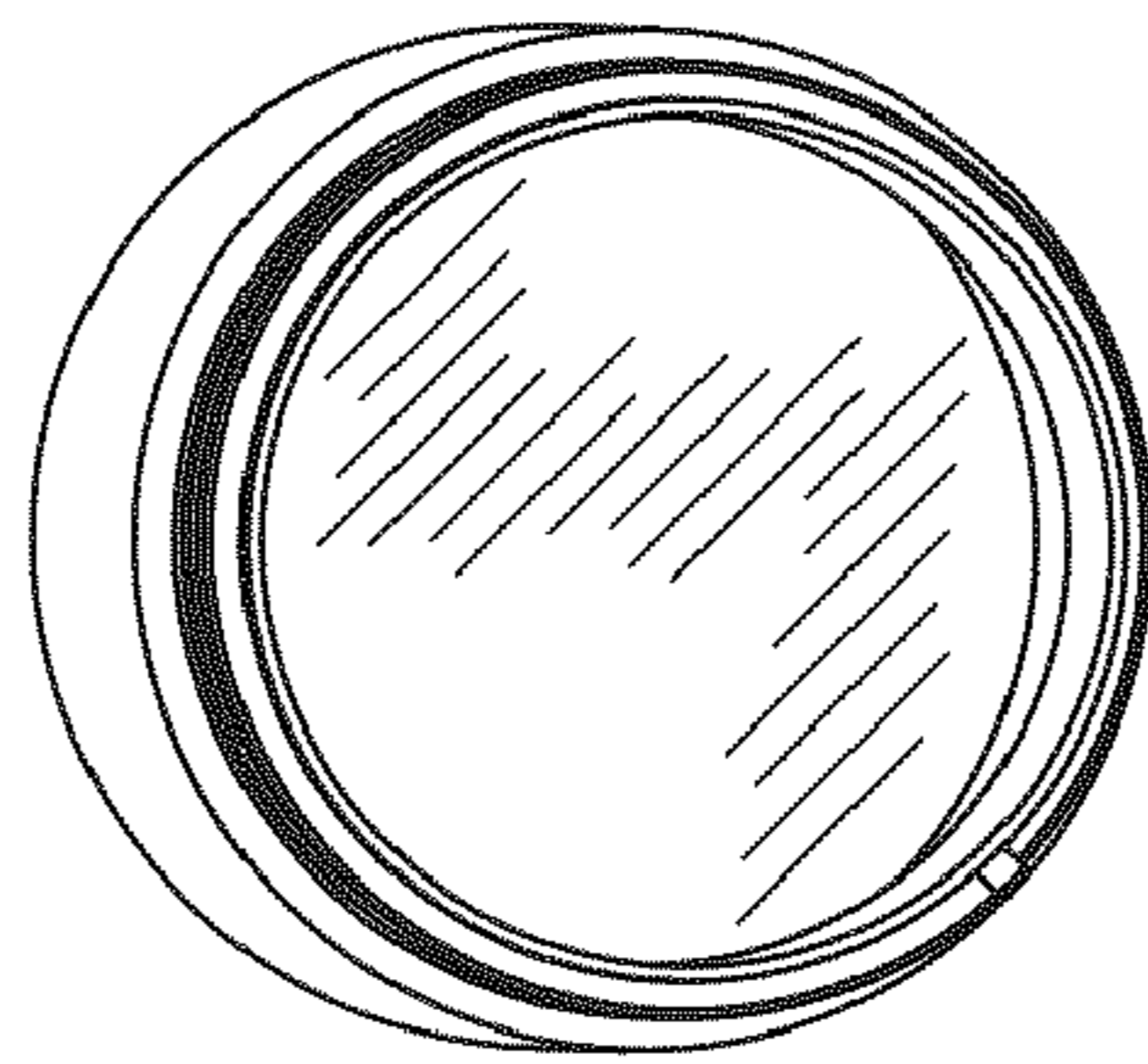


FIG. 10