



US00D650694S

(12) **United States Design Patent**
Eisenberger et al.

(10) **Patent No.:** **US D650,694 S**

(45) **Date of Patent:** **** Dec. 20, 2011**

(54) **BOTTLE**

(75) Inventors: **Harald Eisenberger**, New York, NY (US); **Sandra Monteparo**, Brooklyn, NY (US); **Melanie Wiesenthal**, Brooklyn, NY (US)

(73) Assignee: **Victoria's Secret Stores Brand Management, Inc.**, Reynoldsburg, OH (US)

(**) Term: **14 Years**

(21) Appl. No.: **29/370,575**

(22) Filed: **Aug. 5, 2010**

(51) **LOC (9) Cl.** **09-01**

(52) **U.S. Cl.** **D9/669**

(58) **Field of Classification Search** D9/600, D9/669; D11/122, 157; 206/457-458; 220/890
See application file for complete search history.

- D549,589 S 8/2007 Lavigne
- D565,751 S 4/2008 Van Dyn Hoven
- D566,302 S 4/2008 Van Dyn Hoven
- D567,667 S 4/2008 Kikuchi
- D572,386 S 7/2008 Van Dyn Hoven
- D574,257 S 8/2008 Zeidan
- D580,563 S 11/2008 Van Dyn Hoven
- D581,066 S 11/2008 Van Dyn Hoven

OTHER PUBLICATIONS

Trademark Serial No. 77693917, Prior Trademark Registration No. 2805992 for bottle design.

Trademark Registration No. 2805992.

Suddz Soap Company—Decorative Soaps—Seashells Flowers Animals Americana <http://www.suddz.com/decorative.html>.

Primary Examiner — Sandra Morris

(74) *Attorney, Agent, or Firm* — Ward & Zinna, LLC

(57) **CLAIM**

The ornamental design for a bottle, as shown and described.

DESCRIPTION

FIG. 1 is a perspective view of a bottle according to the present invention;

FIG. 2 is a front view thereof;

FIG. 3 is a rear view thereof;

FIG. 4 is a right side view thereof;

FIG. 5 is a left side view thereof;

FIG. 6 is a top view thereof; and,

FIG. 7 is a bottom view thereof.

The broken lines shown in the figures are for illustrative purposes only and form no part of the claimed design.

1 Claim, 5 Drawing Sheets

(56) **References Cited**

U.S. PATENT DOCUMENTS

- D438,788 S 3/2001 Rigel
- D462,898 S 9/2002 Weinstock
- D465,594 S 11/2002 Chen
- D478,180 S 8/2003 Boss
- D481,957 S 11/2003 Modjeski
- D500,446 S 1/2005 Rahme
- D516,917 S 3/2006 Baron
- D529,813 S 10/2006 Modjeski
- D530,213 S 10/2006 Modjeski
- D530,216 S 10/2006 Modjeski
- D546,981 S 7/2007 Van Dyn Hoven
- D546,982 S 7/2007 Van Dyn Hoven

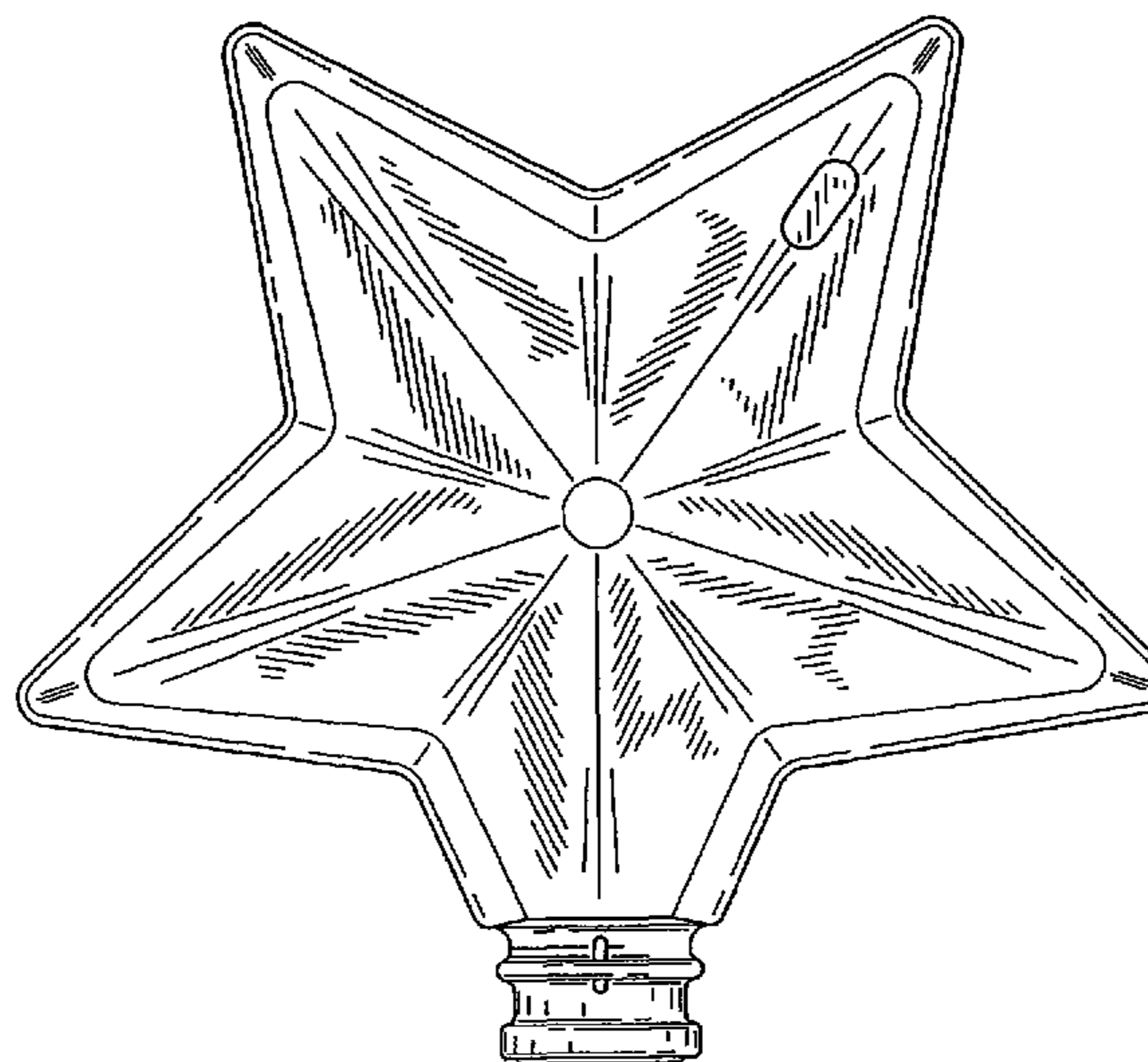
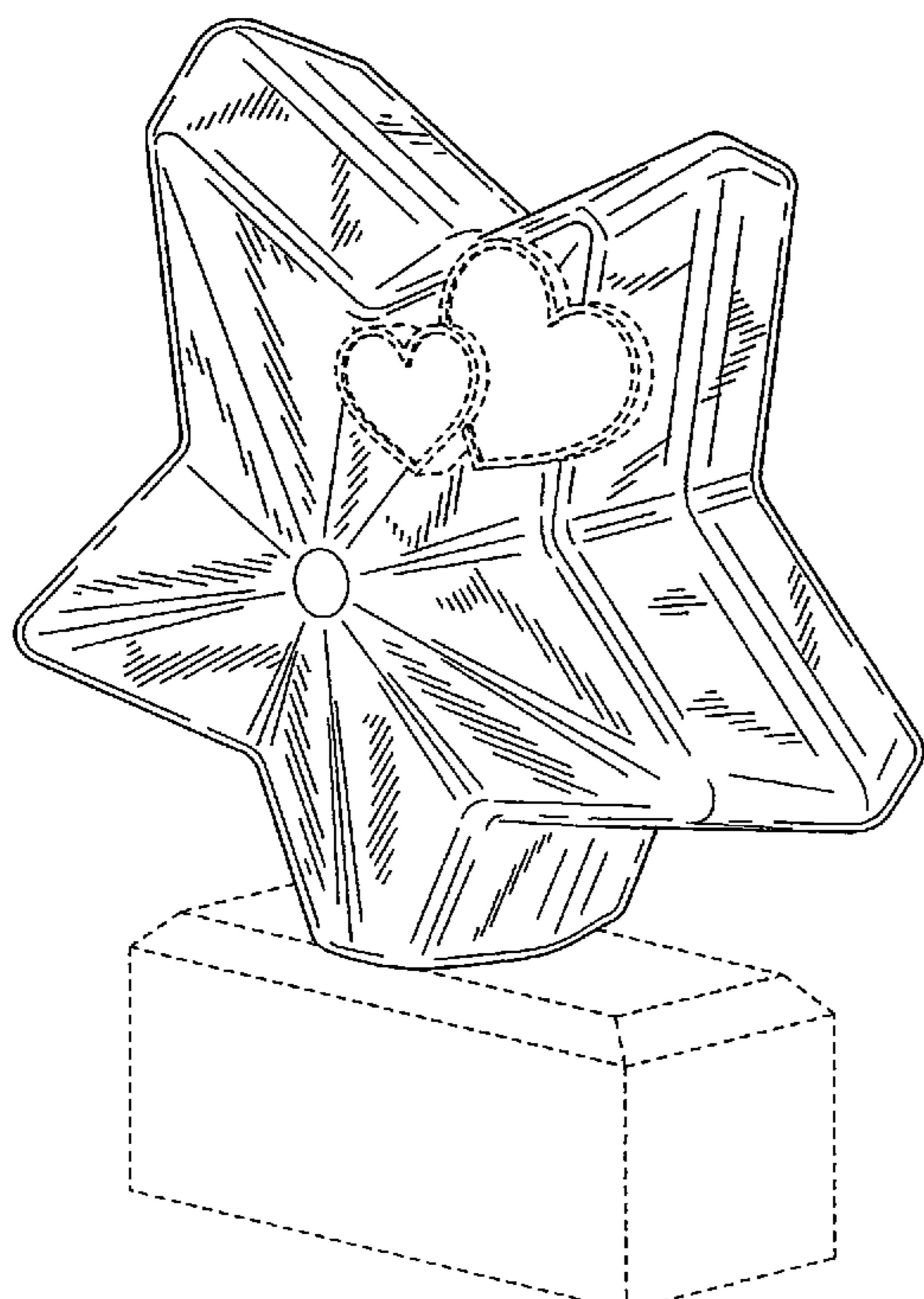


FIG. 1

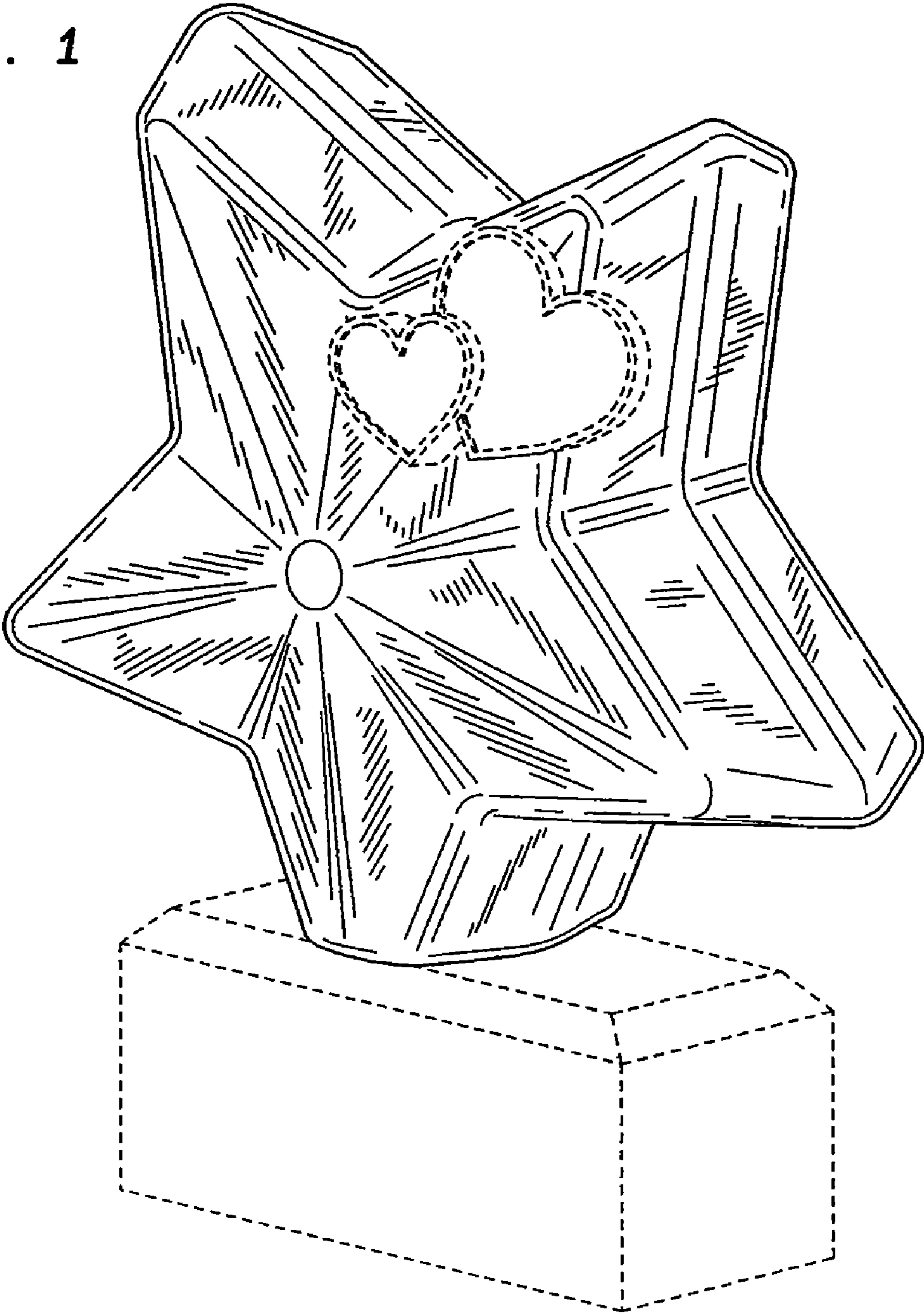


FIG. 2

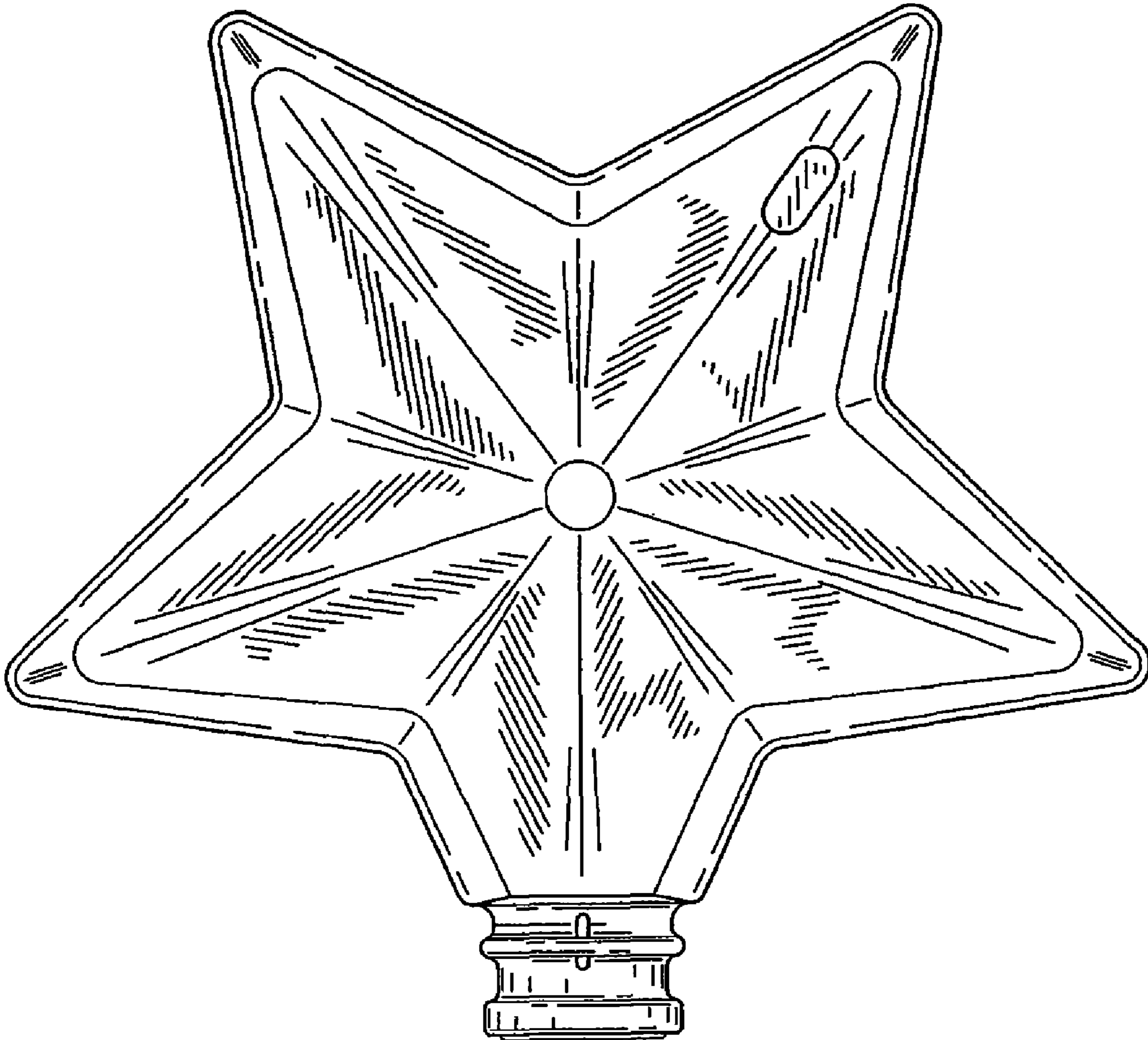


FIG. 3

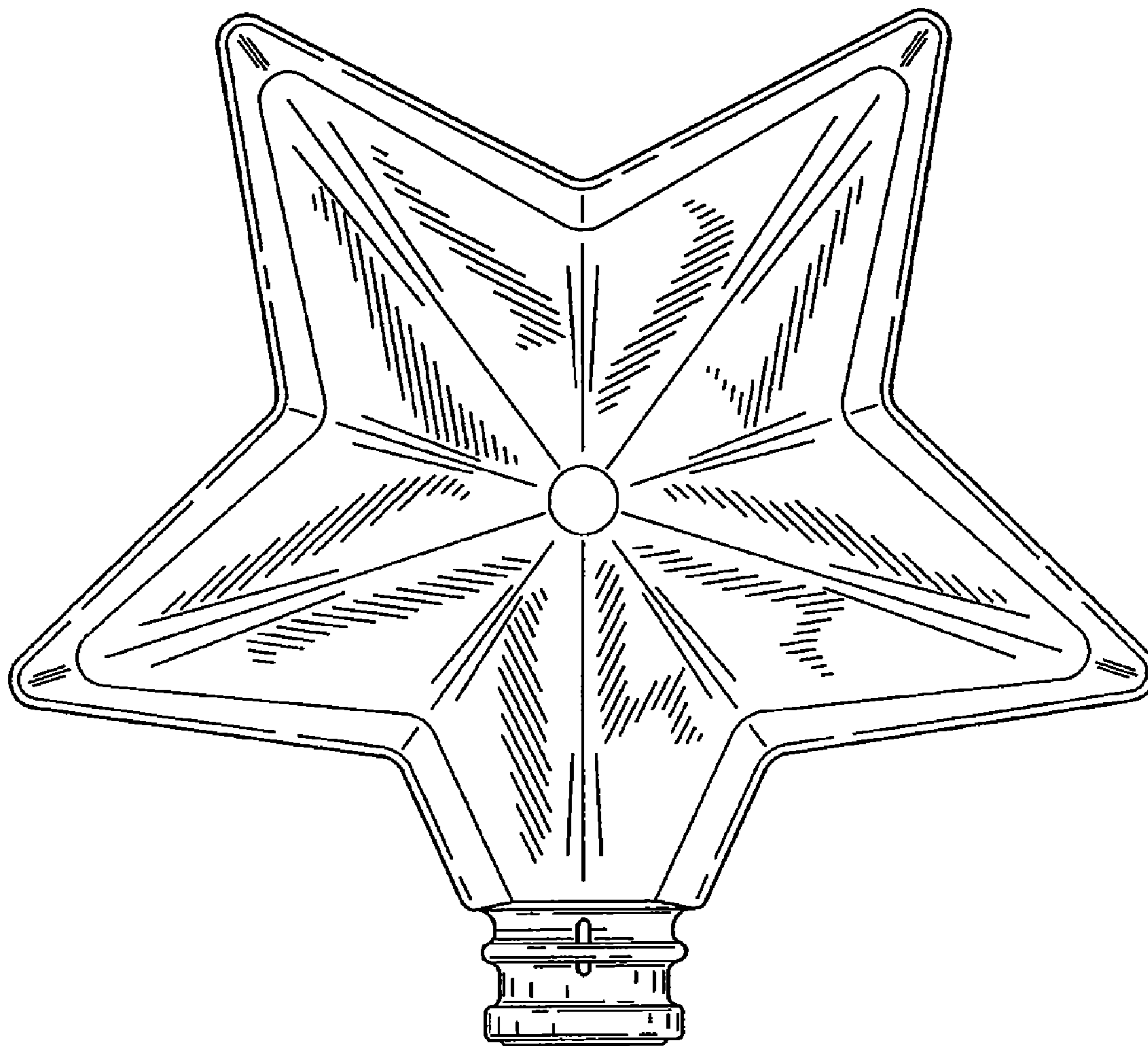


FIG. 4

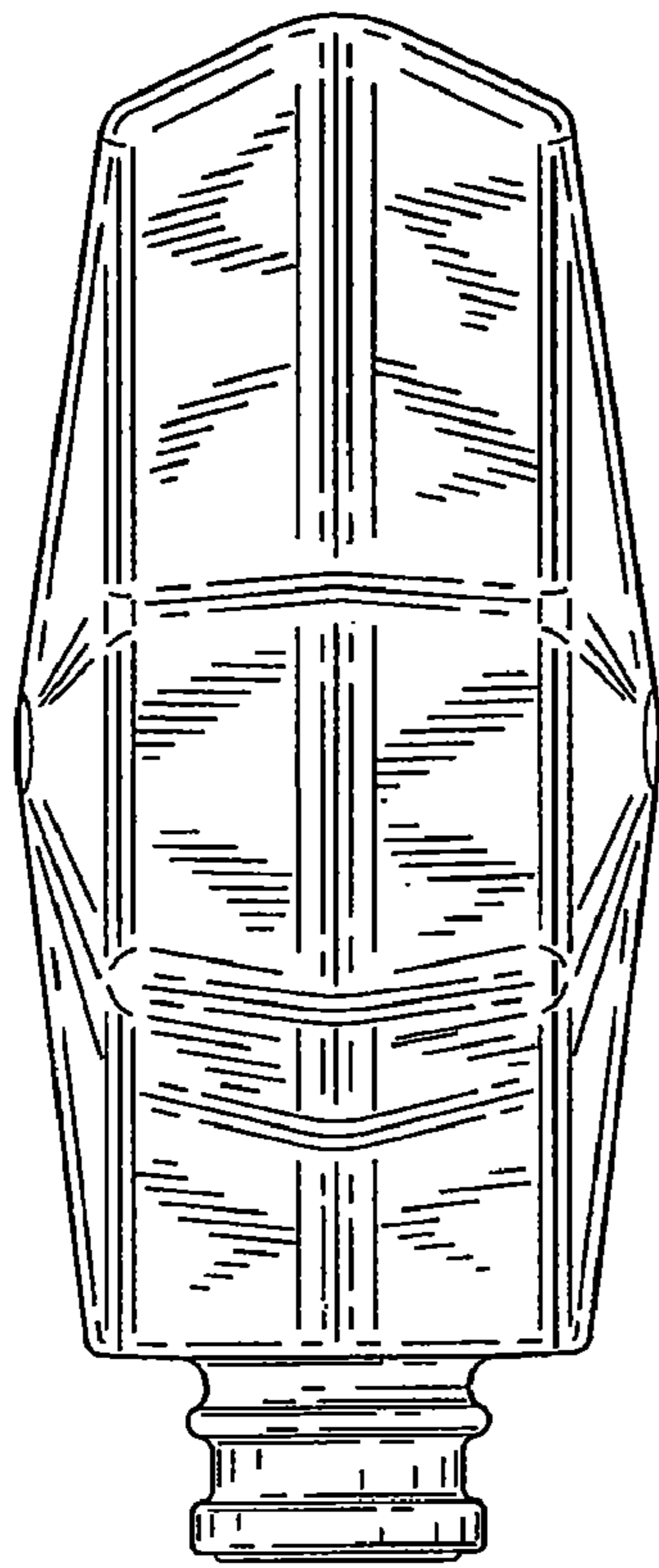


FIG. 5

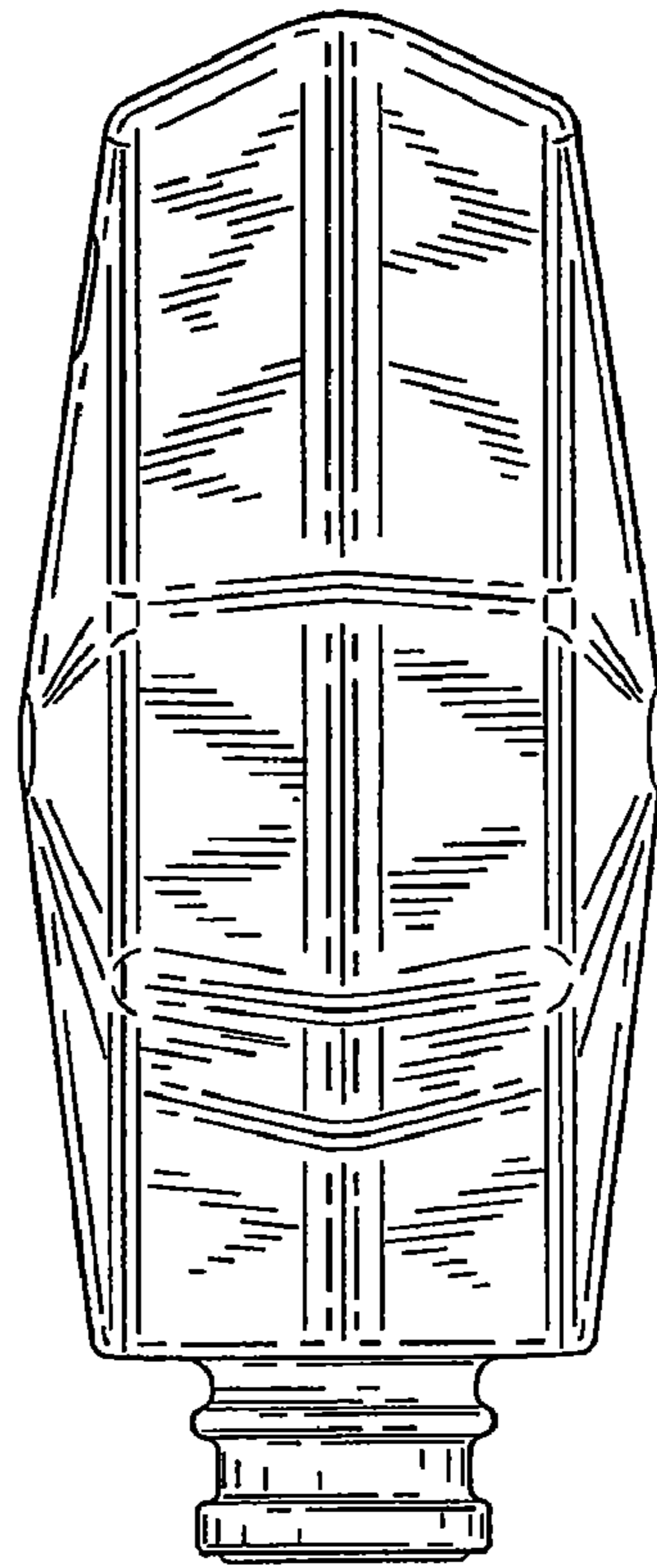


FIG. 6

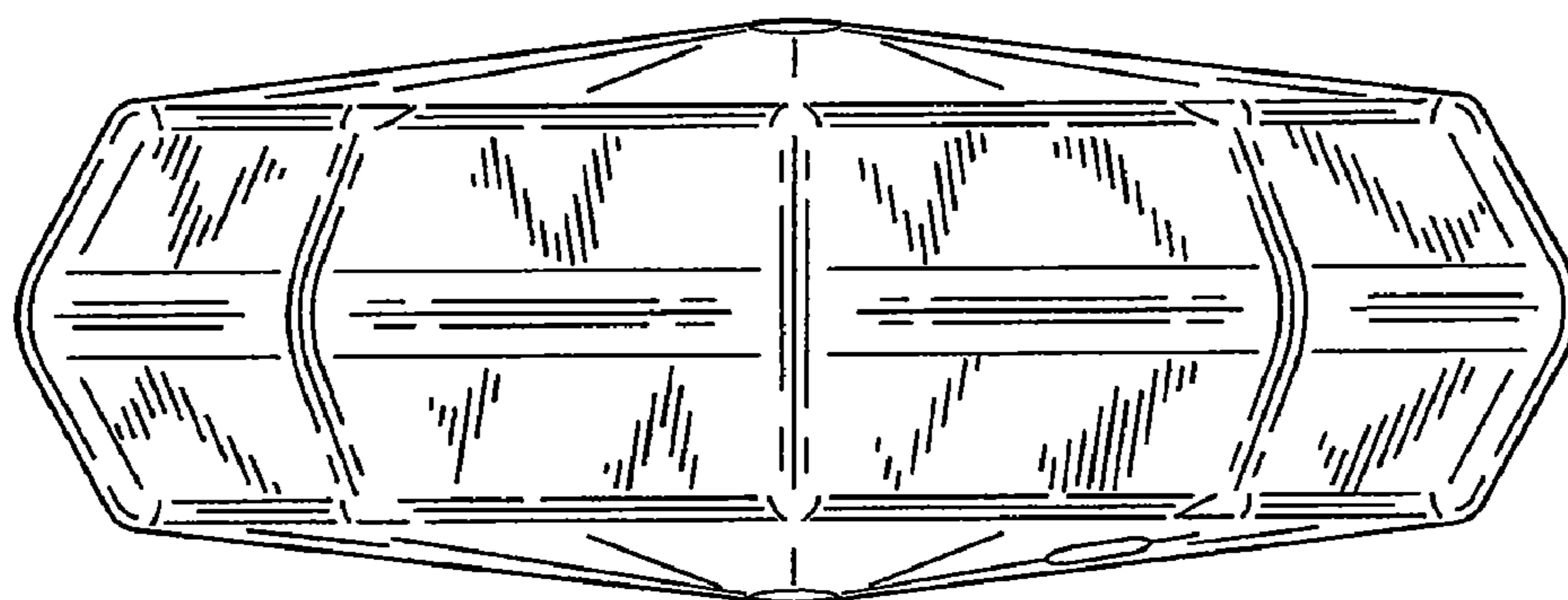


FIG. 7

