



US00D650692S

(12) **United States Design Patent**  
**Miller**

(10) **Patent No.:** **US D650,692 S**

(45) **Date of Patent:** **\*\* Dec. 20, 2011**

(54) **INVERTED BOTTLE HOLDER**

(76) Inventor: **Alexander K. Miller**, Dallas, TX (US)

(\*\*) Term: **14 Years**

(21) Appl. No.: **29/396,092**

(22) Filed: **Jun. 24, 2011**

(51) **LOC (9) Cl.** ..... **07-06**

(52) **U.S. Cl.** ..... **D9/620; D9/601**

(58) **Field of Classification Search** ..... D7/601-602,  
D7/619.1, 620, 624.1, 624.2, 300, 305; D24/199;  
D9/444, 455, 501, 517; D6/512; D8/71;  
D11/148; 211/60.1, 74; 248/102-103, 105,  
248/176.1, 200, 309.1, 311.2, 311.3; 220/737,  
220/739, 592.16, 592.17, 902-903, 915.1,  
220/915.2

See application file for complete search history.

(56) **References Cited**

**U.S. PATENT DOCUMENTS**

|              |         |                   |       |         |
|--------------|---------|-------------------|-------|---------|
| D265,508 S * | 7/1982  | Rusteberg         | ..... | D24/128 |
| D284,294 S * | 6/1986  | Upton             | ..... | D21/467 |
| D291,848 S * | 9/1987  | Cadman            | ..... | D6/466  |
| D367,209 S * | 2/1996  | Flint et al.      | ..... | D7/620  |
| D378,040 S * | 2/1997  | Flint et al.      | ..... | D7/620  |
| D417,185 S * | 11/1999 | Marks             | ..... | D12/411 |
| D517,373 S * | 3/2006  | Cappellino et al. | ..... | D7/620  |
| D629,898 S * | 12/2010 | Bigelow           | ..... | D24/137 |

\* cited by examiner

*Primary Examiner* — Ian Simmons

*Assistant Examiner* — Dana L Sipos

(74) *Attorney, Agent, or Firm* — Craig J. Cox; Bell Nunnally & Martin LLP

(57) **CLAIM**

The ornamental design of an inverted bottle holder, as shown and described.

**DESCRIPTION**

FIG. 1 is a top, front, left side perspective view of an inverted bottle holder showing my new design, shown in use, attached to a drinking glass with a bottle inserted;

FIG. 2 is a top, front, left side perspective view thereof, without the bottle;

FIG. 3 is a right side elevation view thereof, the left side elevation view being a mirror image;

FIG. 4 is a right side elevation view of the inverted bottle holder of FIG. 1 shown at an enlarged scale;

FIG. 5 is a left side elevation view thereof;

FIG. 6 is a rear elevation view thereof;

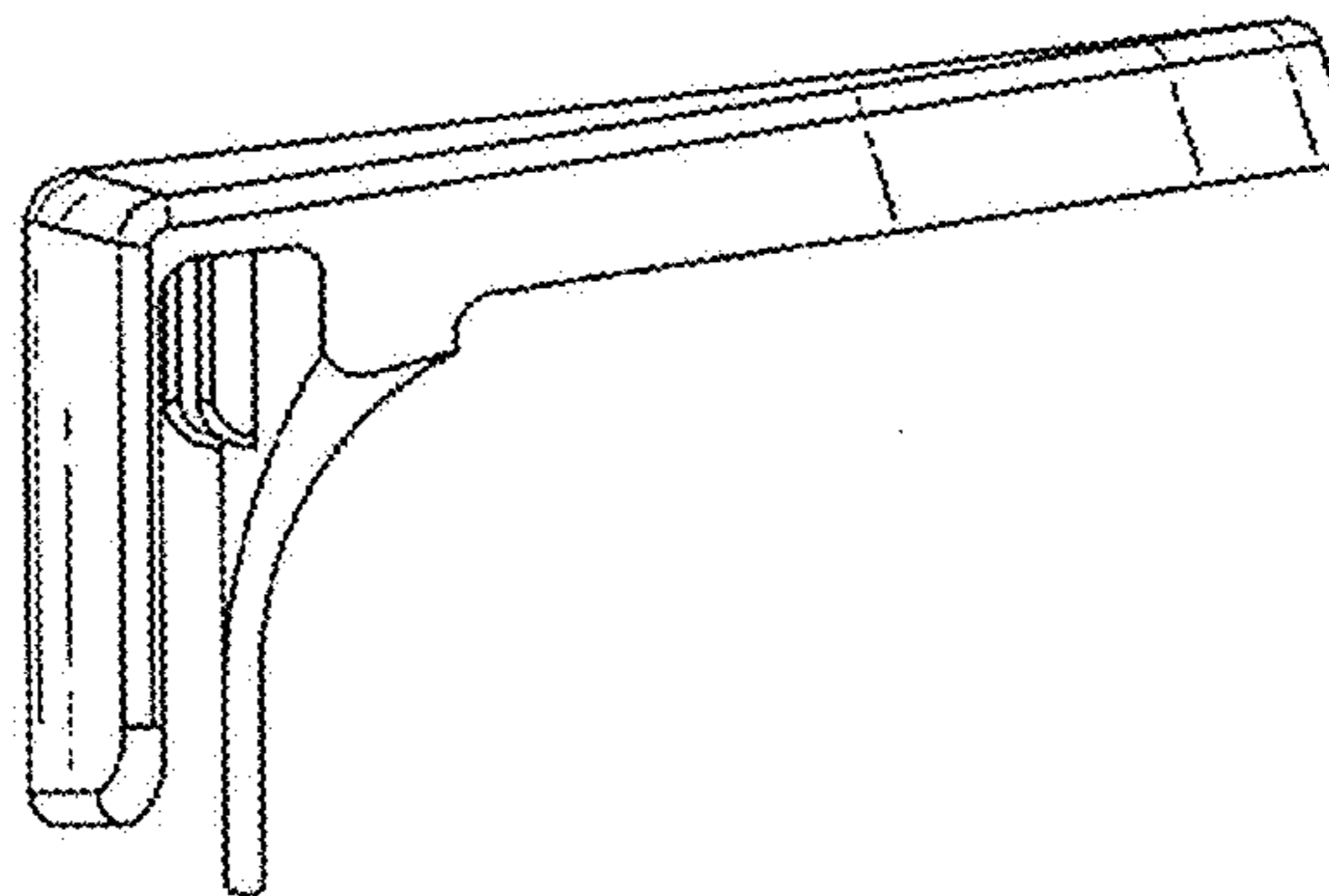
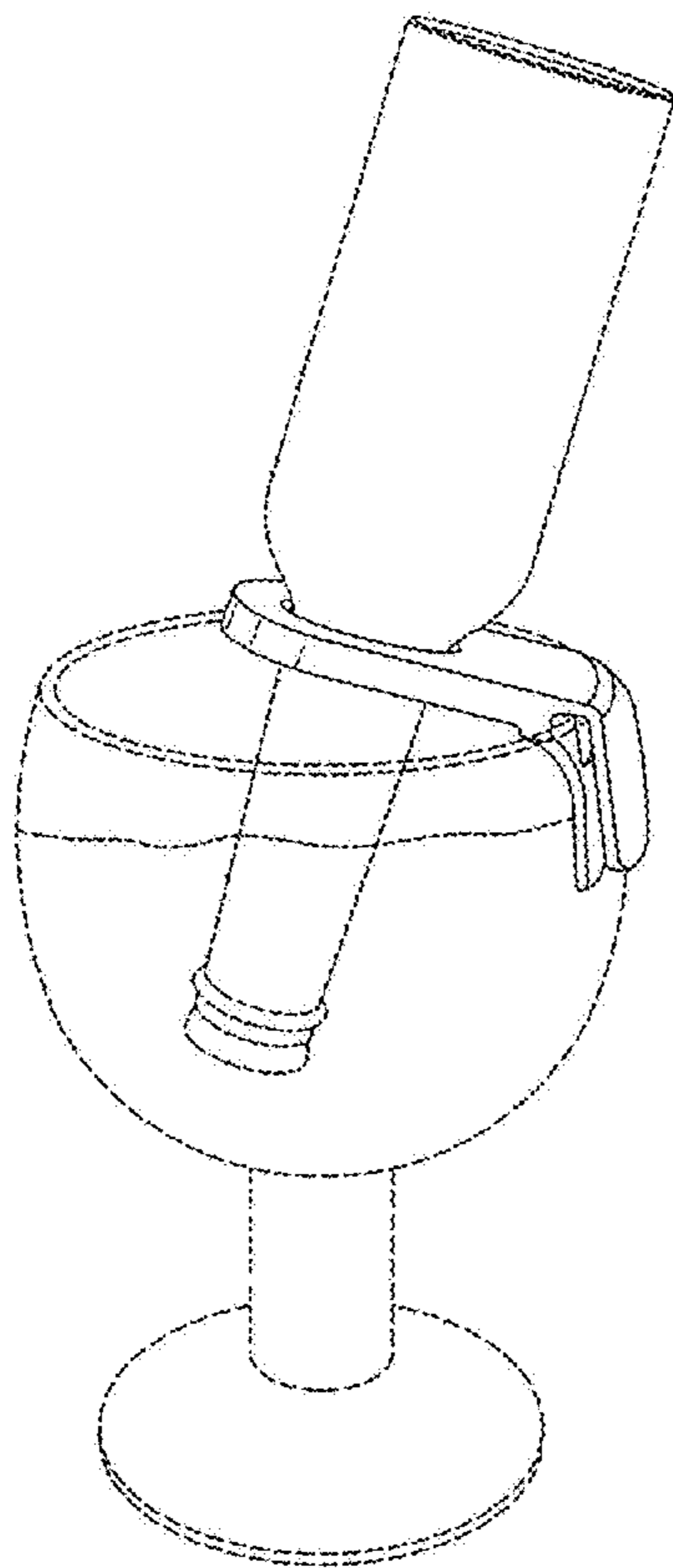
FIG. 7 is a front elevation view thereof;

FIG. 8 is a top plan view thereof; and,

FIG. 9 is a bottom plan view thereof.

The broken lines in the drawings showing a bottle and a drinking glass in FIGS. 1-3 are for illustrative purposes only and form no part of the claim.

**1 Claim, 4 Drawing Sheets**



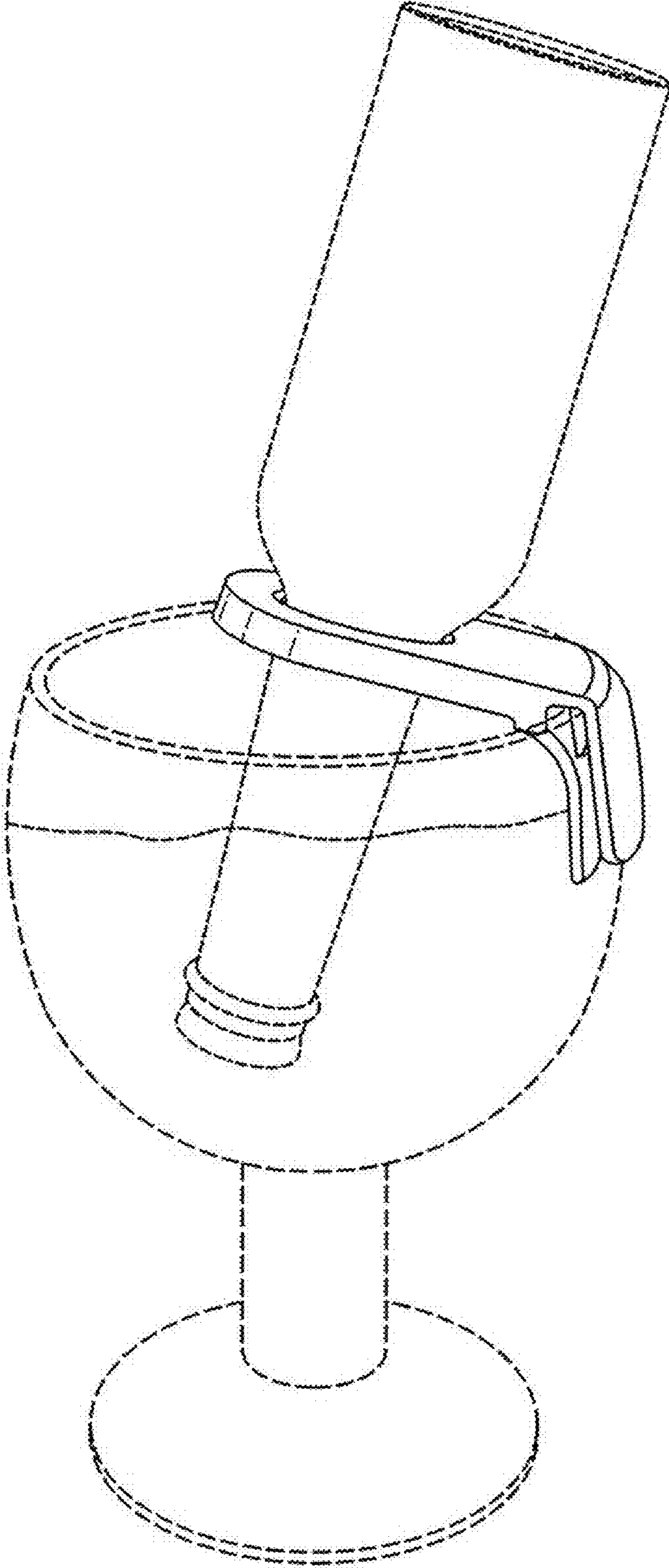


FIG. 1

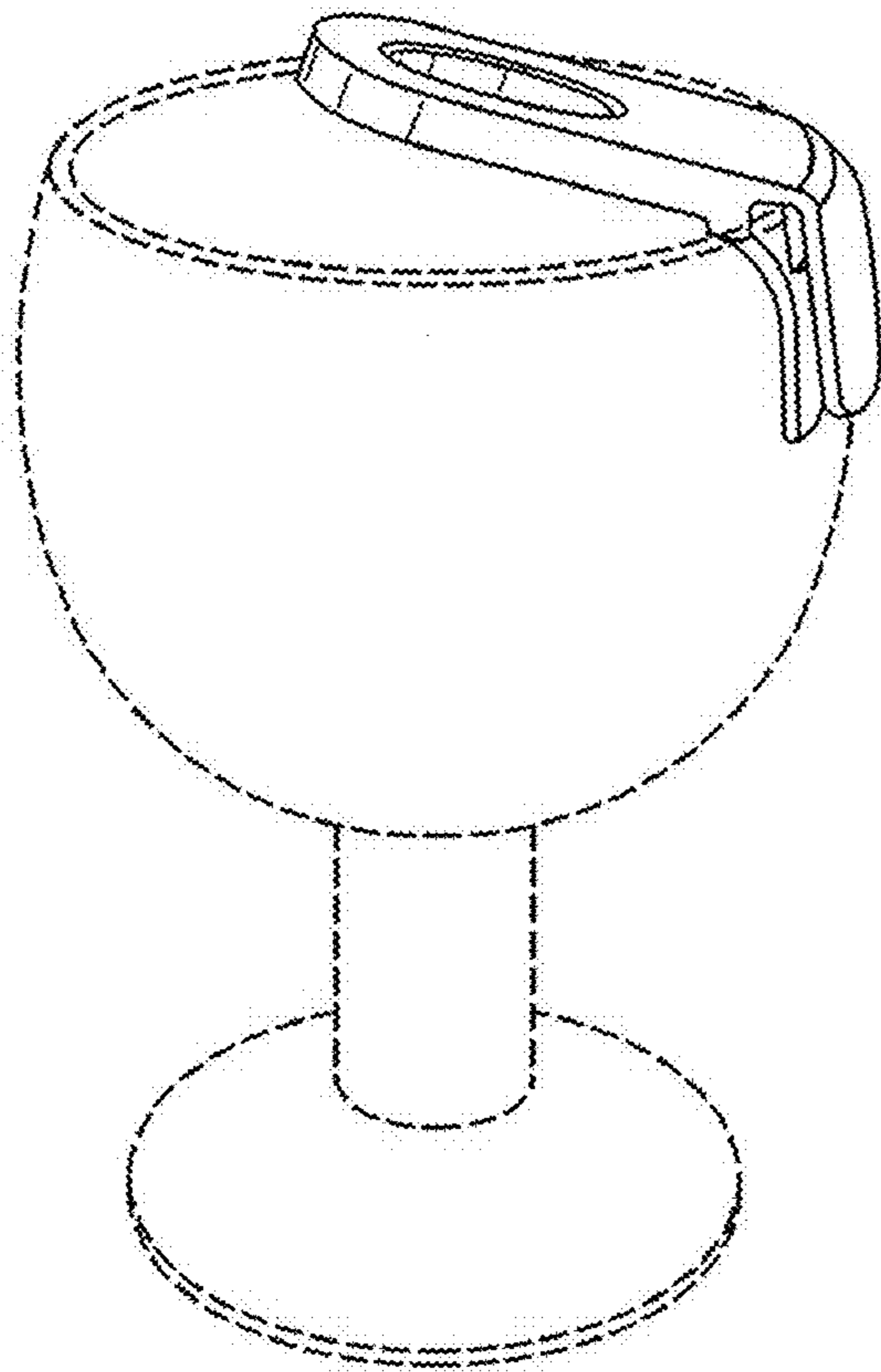


FIG. 2

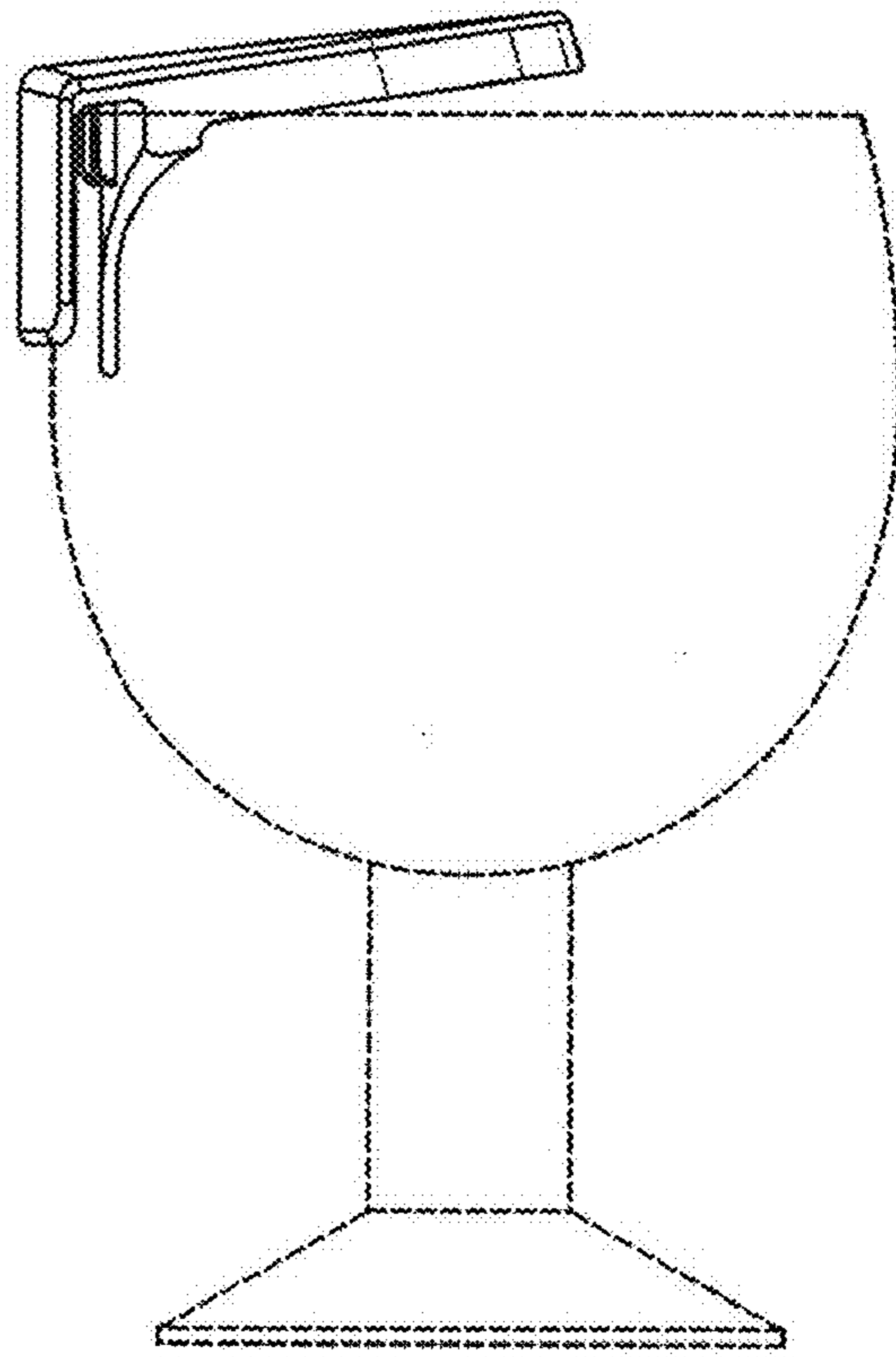


FIG. 3

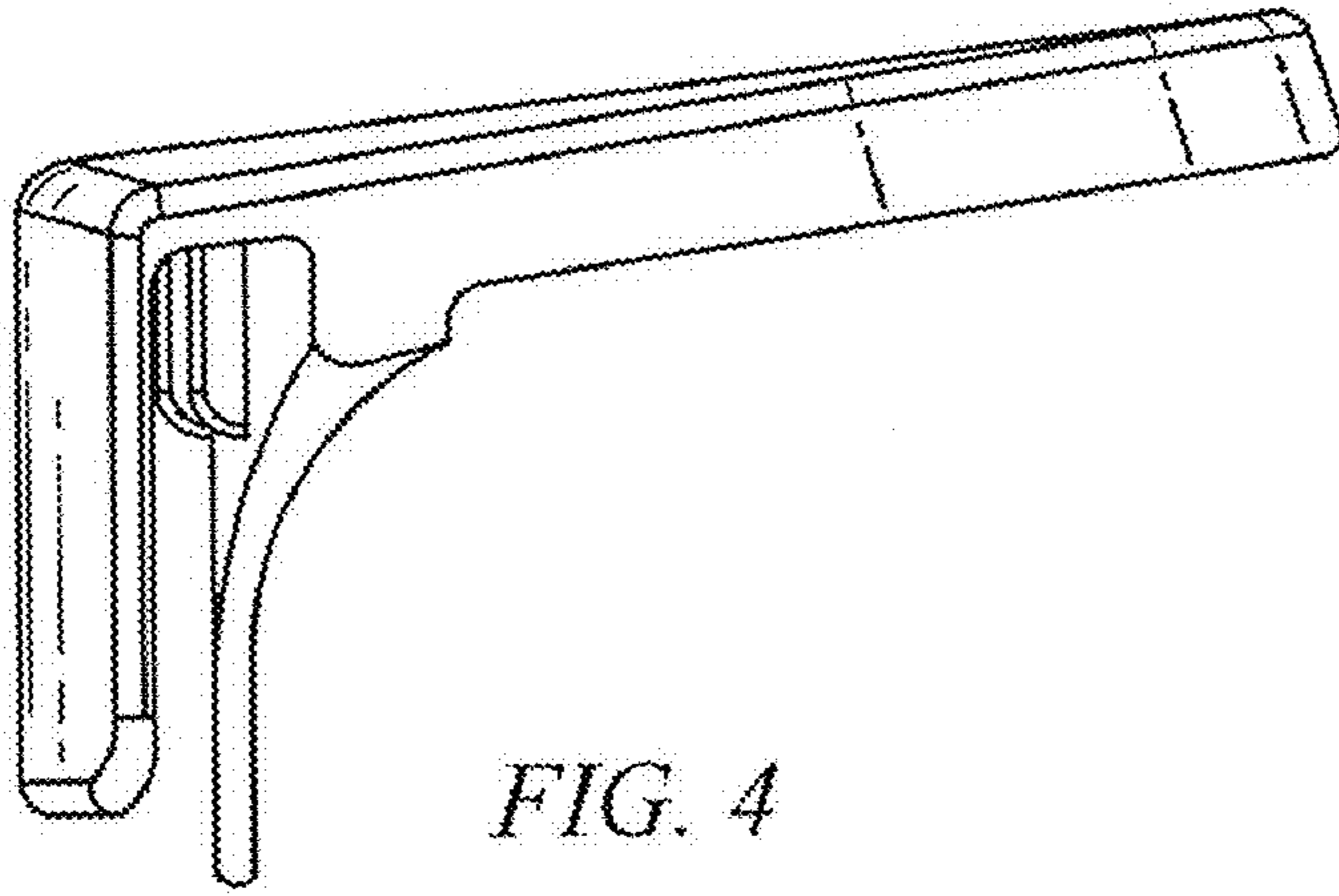


FIG. 4

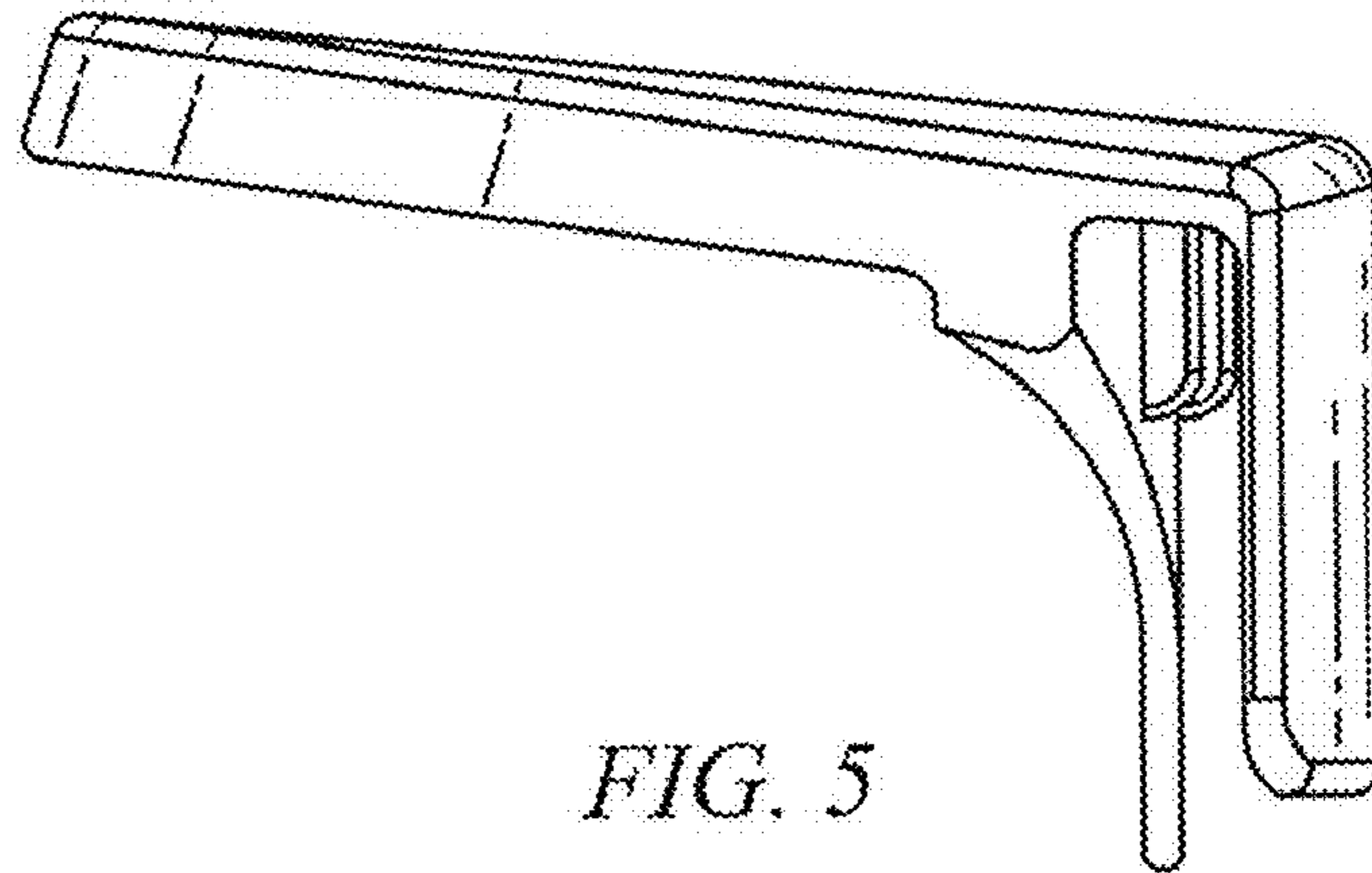


FIG. 5

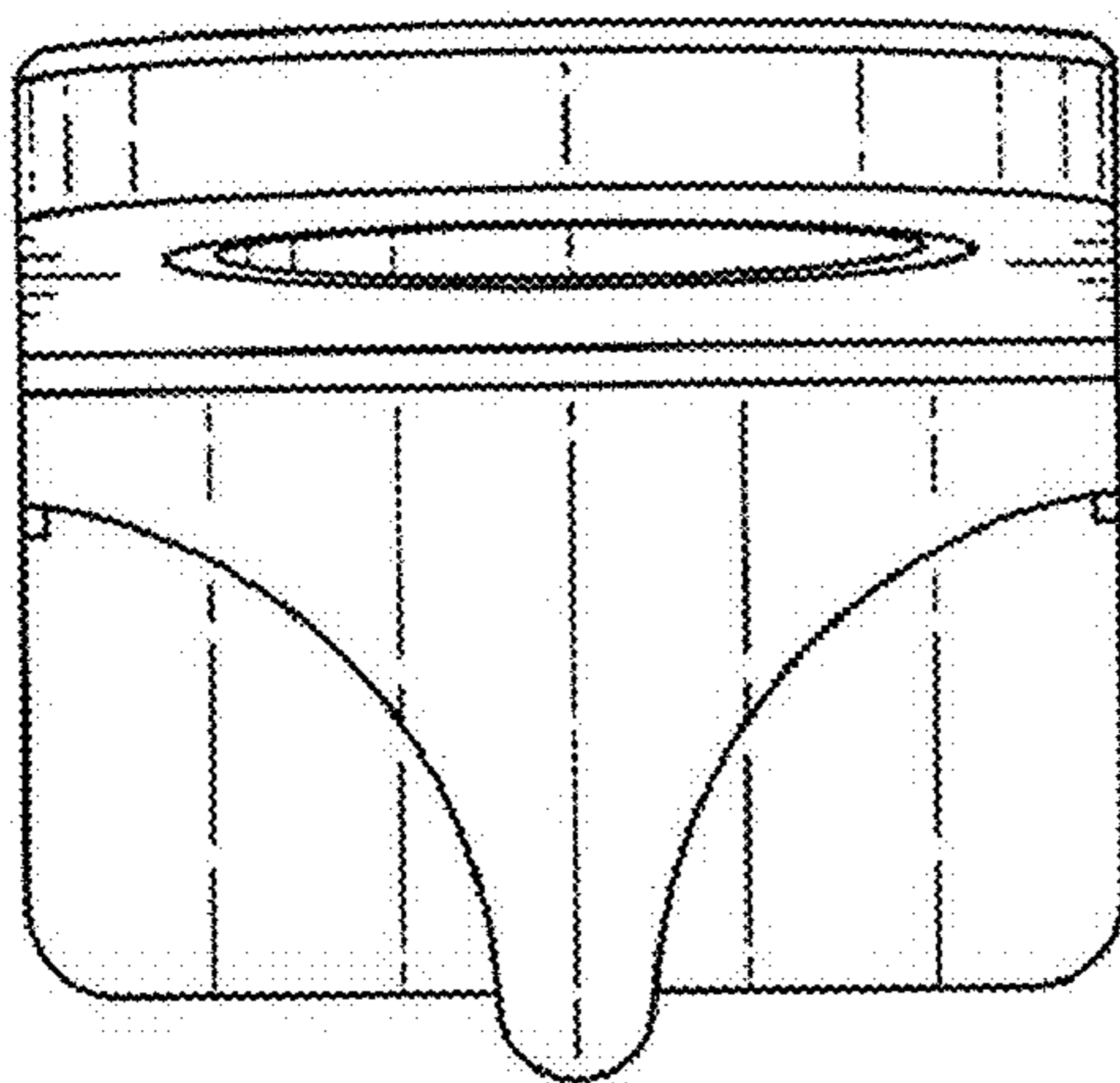


FIG. 6

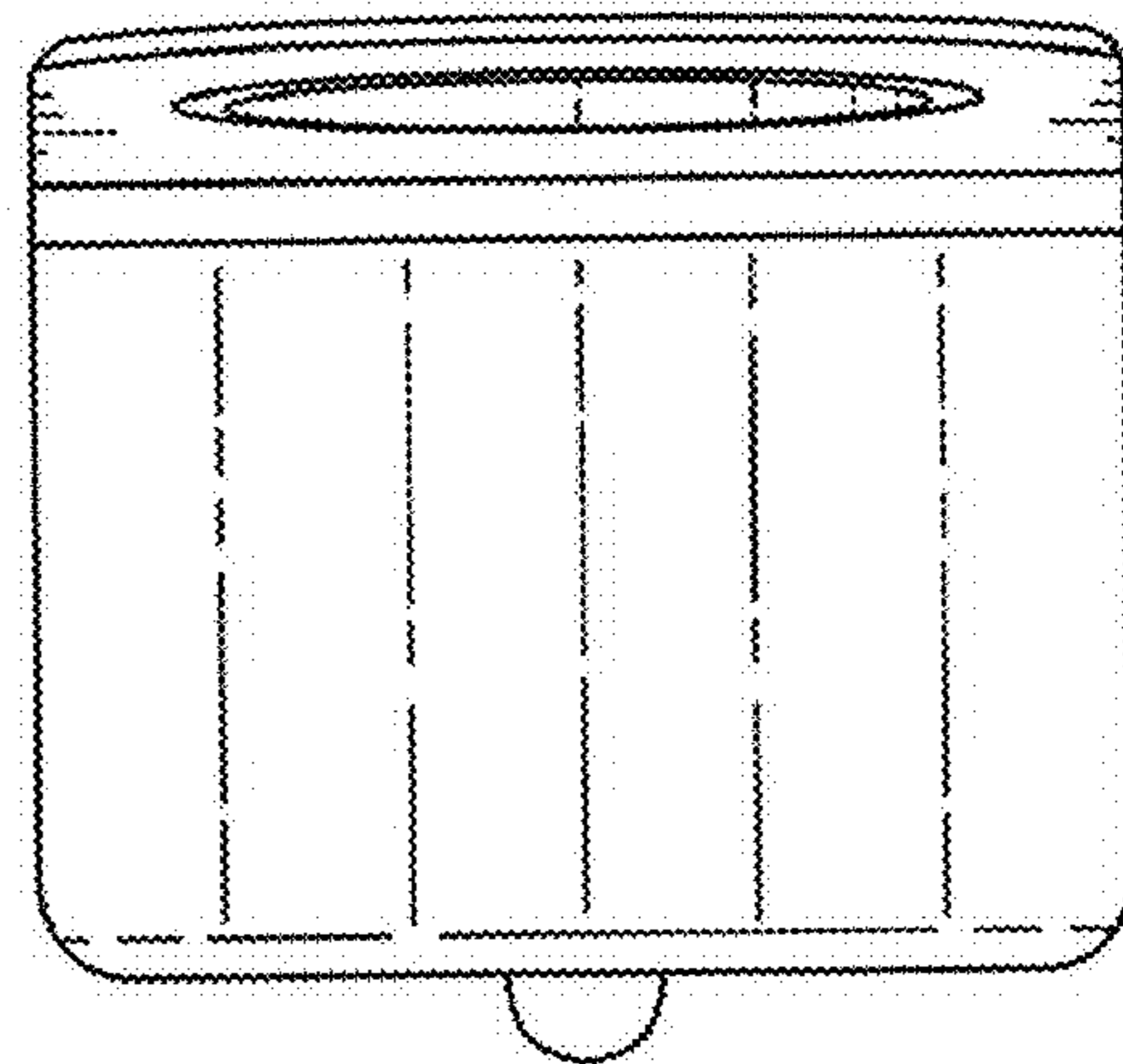


FIG. 7

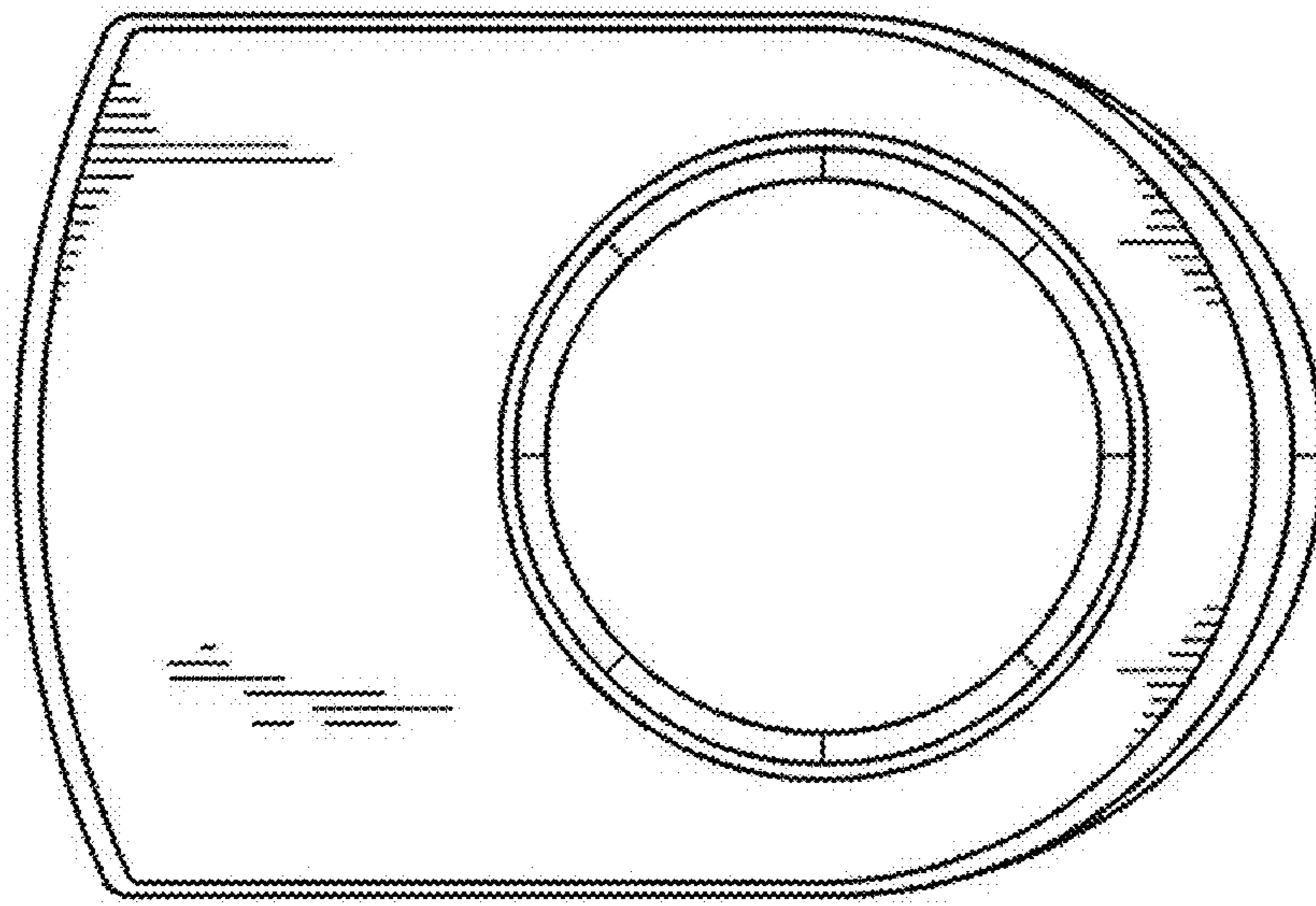


FIG. 8

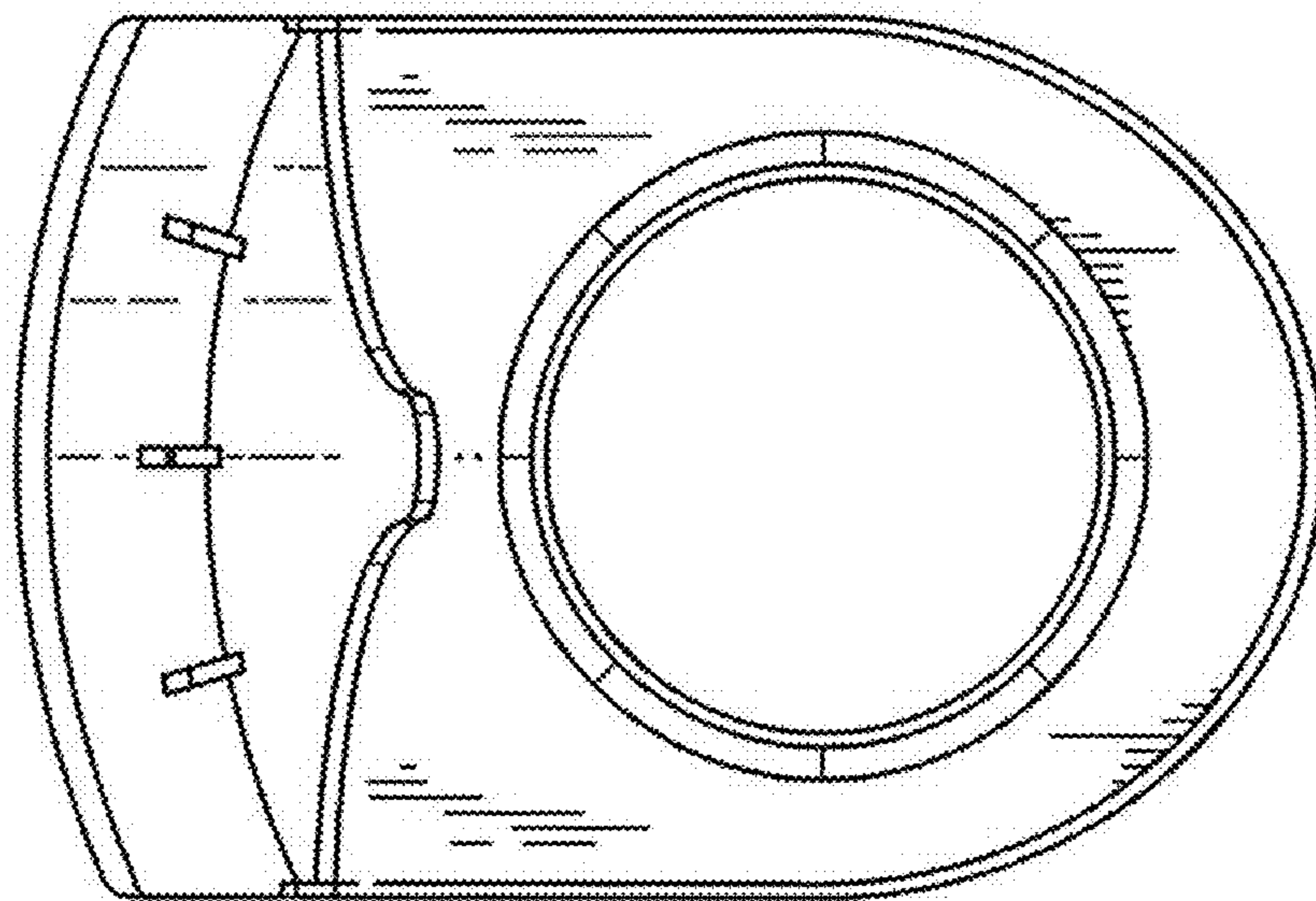


FIG. 9