



US00D650691S

(12) **United States Design Patent**
Miller

(10) **Patent No.:** **US D650,691 S**

(45) **Date of Patent:** **** Dec. 20, 2011**

(54) **INVERTED BOTTLE HOLDER**

(76) Inventor: **Alexander K. Miller**, Dallas, TX (US)

(**) Term: **14 Years**

(21) Appl. No.: **29/387,846**

(22) Filed: **Mar. 18, 2011**

(51) **LOC (9) Cl.** **07-06**

(52) **U.S. Cl.** **D9/620; D9/601**

(58) **Field of Classification Search** D7/601-602,
D7/619.1, 620, 624.1, 624.2, 300, 305; D24/199;
D9/444, 455, 501, 517; D6/512; D8/71;
D11/148; 211/60.1, 74; 248/102-103, 105,
248/176.1, 200, 309.1, 311.2, 311.3; 220/737,
220/739, 592.16, 592.17, 902-903, 915.1,
220/915.2

See application file for complete search history.

(56) **References Cited**

U.S. PATENT DOCUMENTS

D265,508 S *	7/1982	Rusteberg	D24/128
D284,294 S *	6/1986	Upton	D21/467
D291,848 S *	9/1987	Cadman	D6/466
D367,209 S *	2/1996	Flint et al.	D7/620
D378,040 S *	2/1997	Flint et al.	D7/620
D417,185 S *	11/1999	Marks	D12/411
D517,373 S *	3/2006	Cappellino et al.	D7/620

D629,898 S * 12/2010 Bigelow D24/137

* cited by examiner

Primary Examiner — Ian Simmons

Assistant Examiner — Dana L Sipos

(74) *Attorney, Agent, or Firm* — Craig J. Cox; Bell Nunnally & Martin LLP

(57) **CLAIM**

The ornamental design of an inverted bottle holder, as shown and described.

DESCRIPTION

FIG. 1 is a top, front, right side perspective view of an inverted bottle holder showing my new design, shown in use, attached to a drinking glass with a bottle inserted;

FIG. 2 is a top, front, right side perspective view thereof, without the bottle;

FIG. 3 is a right side elevation view thereof, the left side elevation view being a mirror image;

FIG. 4 is a right side elevation view of the inverted bottle holder of FIG. 1 shown at an enlarged scale;

FIG. 5 is a left side elevation view thereof;

FIG. 6 is a rear elevation view thereof;

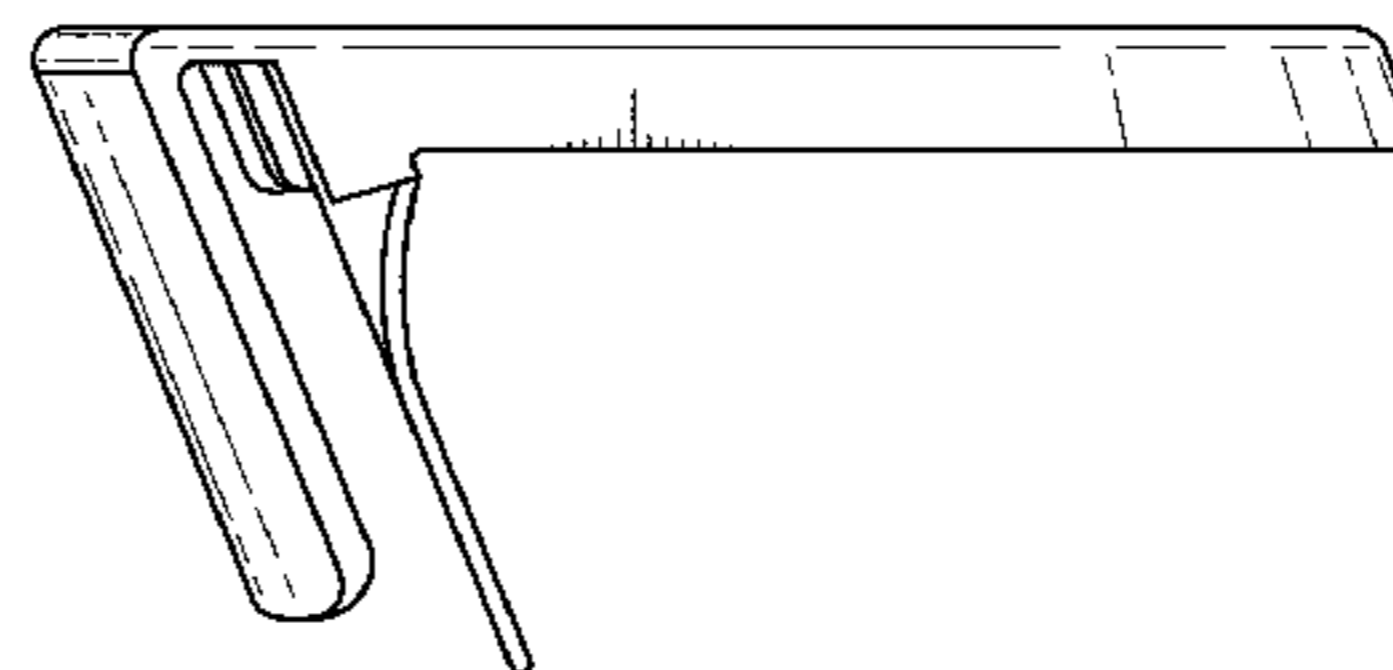
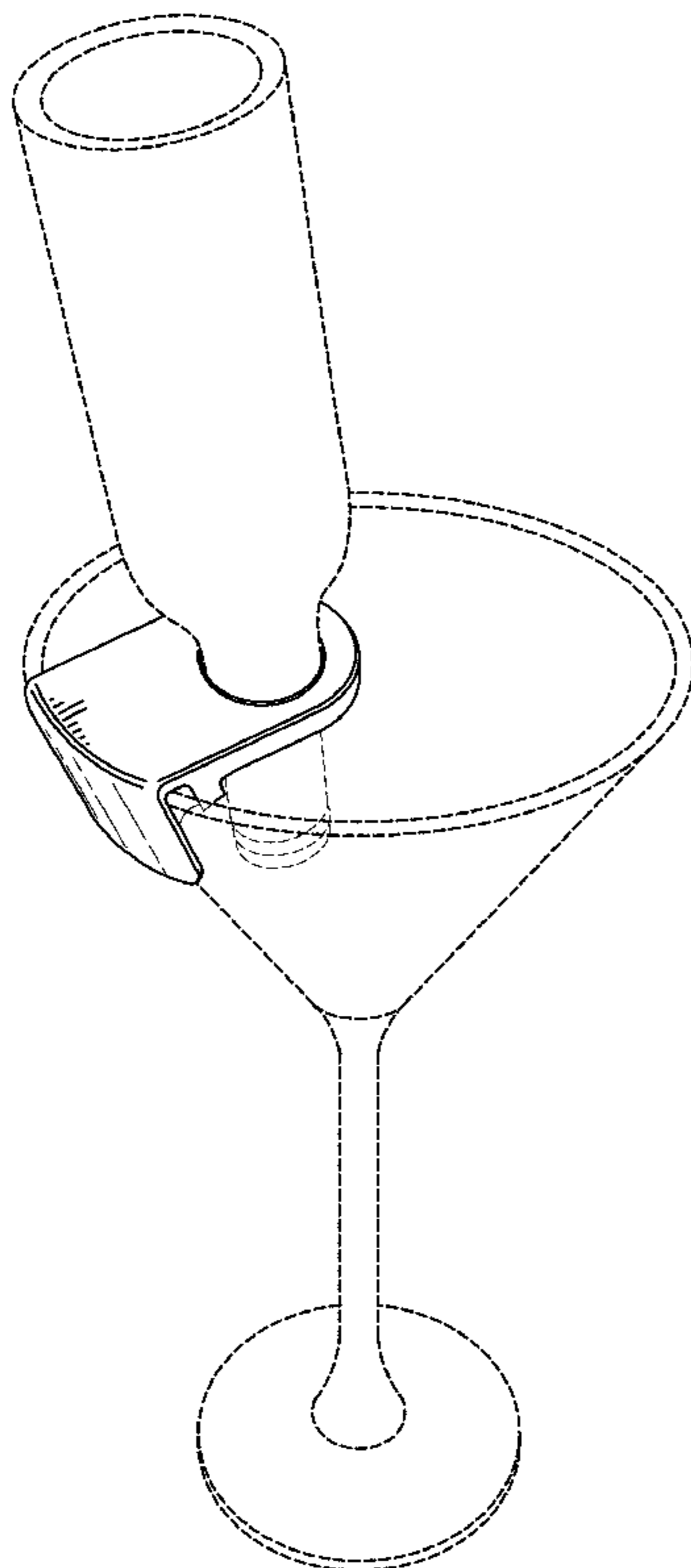
FIG. 7 is a front elevation view thereof;

FIG. 8 is a bottom plan view thereof; and,

FIG. 9 is a top plan view thereof.

The broken lines in the drawings showing a bottle and a drinking glass in FIGS. 1-3 are for illustrative purposes only and form no part of the claim.

1 Claim, 4 Drawing Sheets



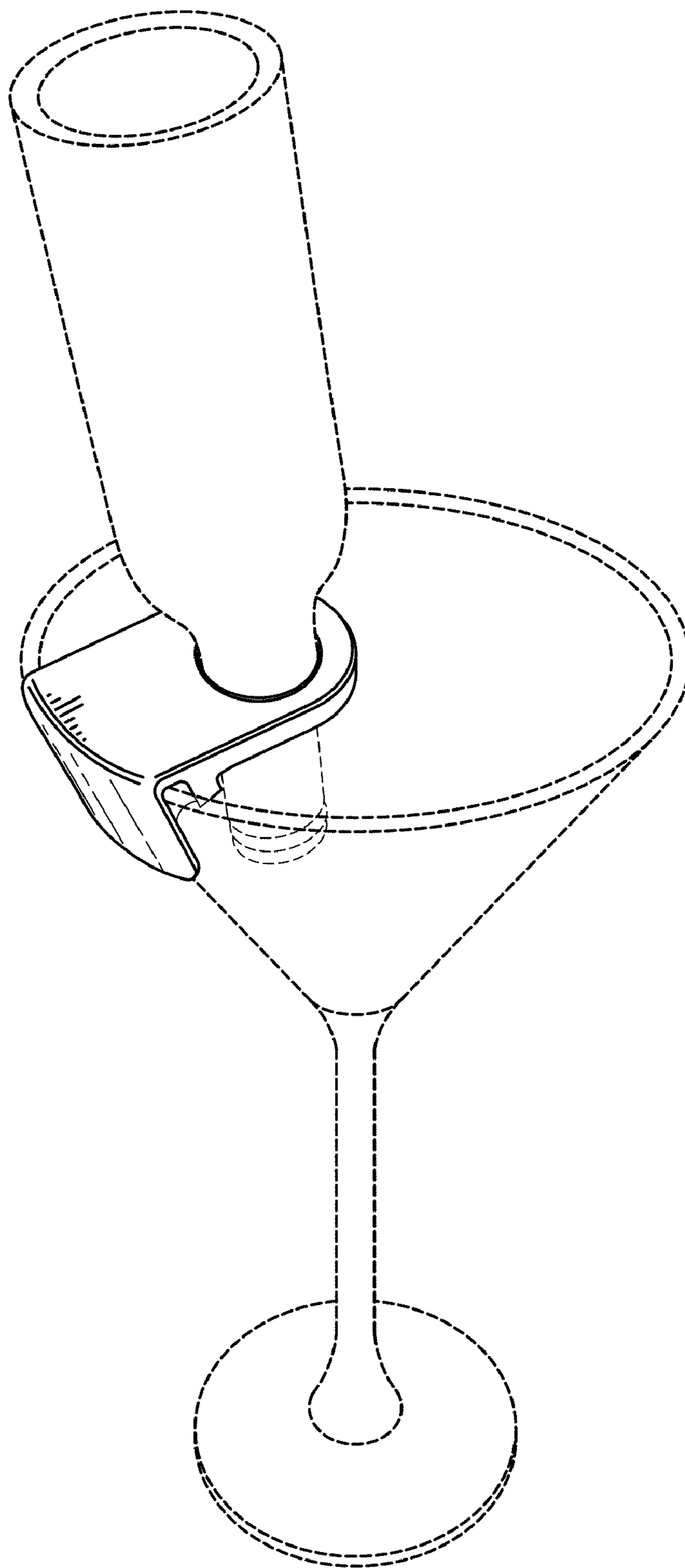


FIG. 1



FIG. 2

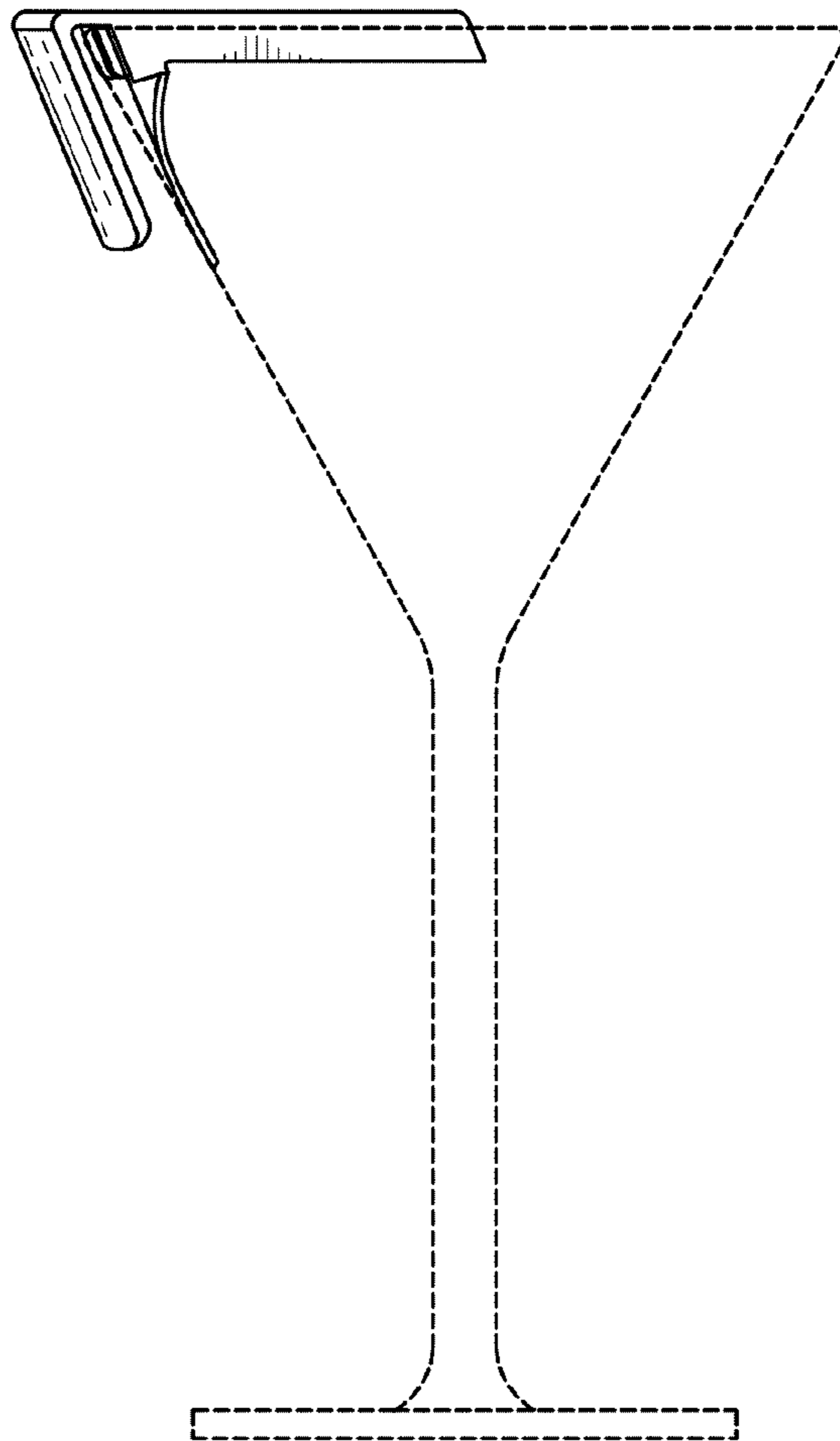


FIG. 3

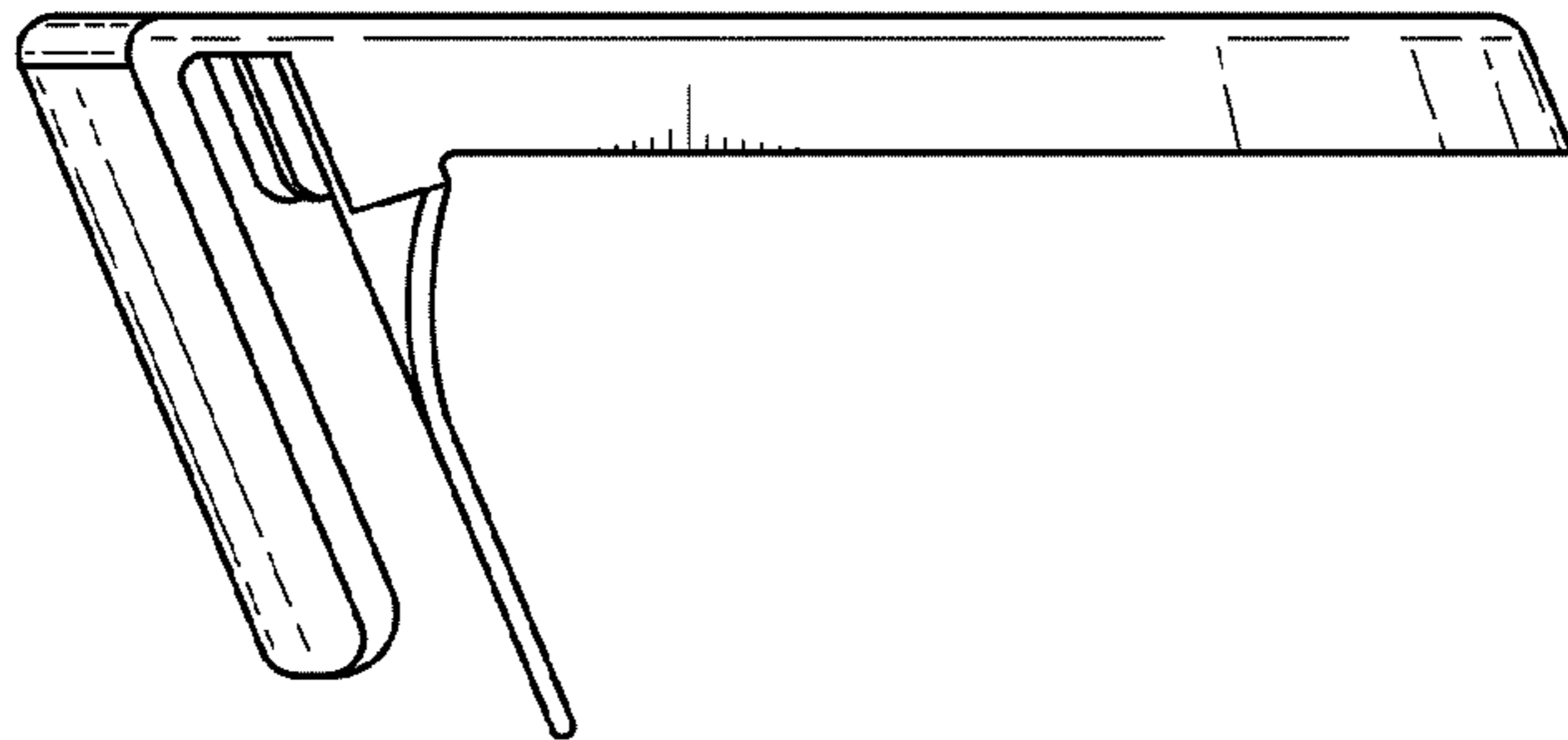


FIG. 4

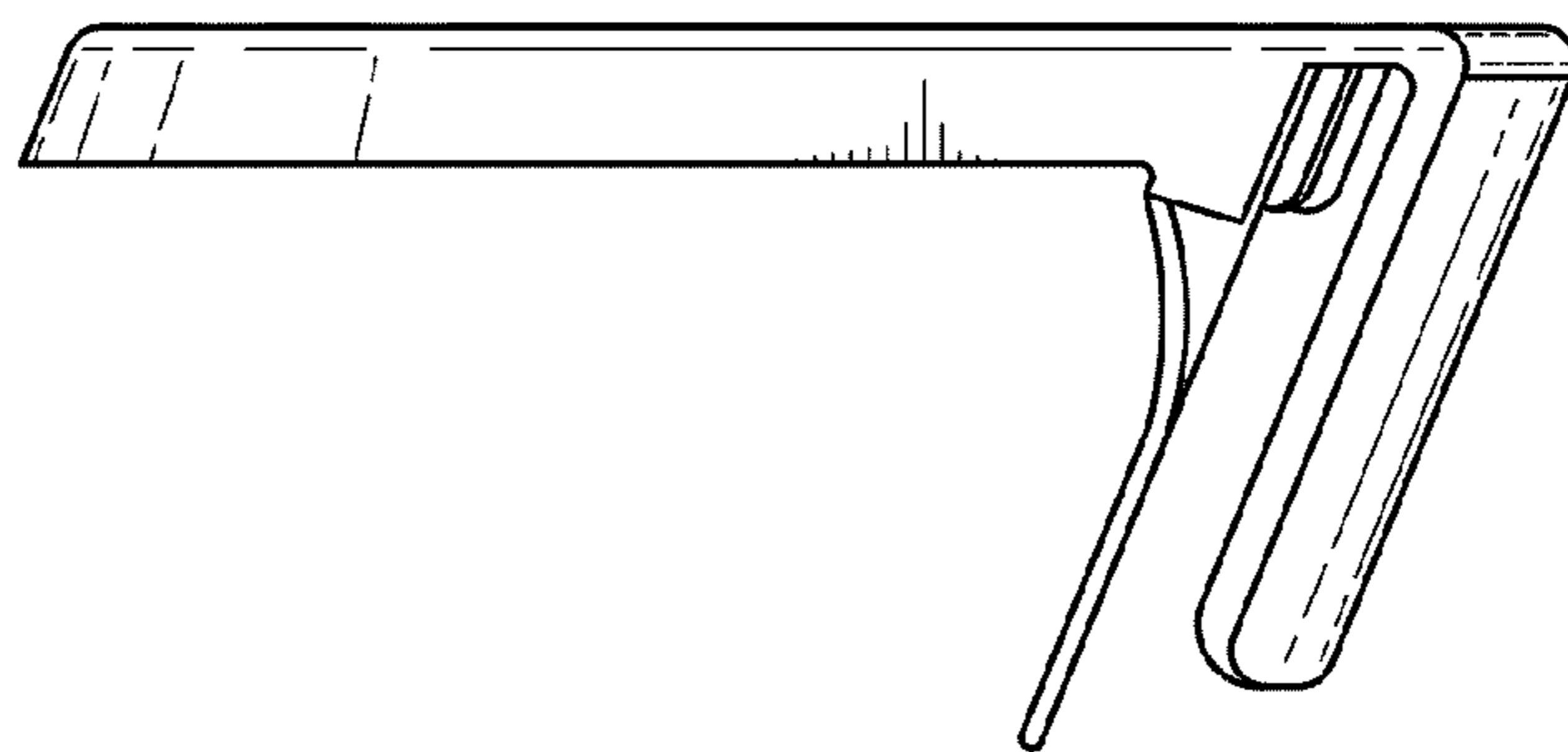


FIG. 5

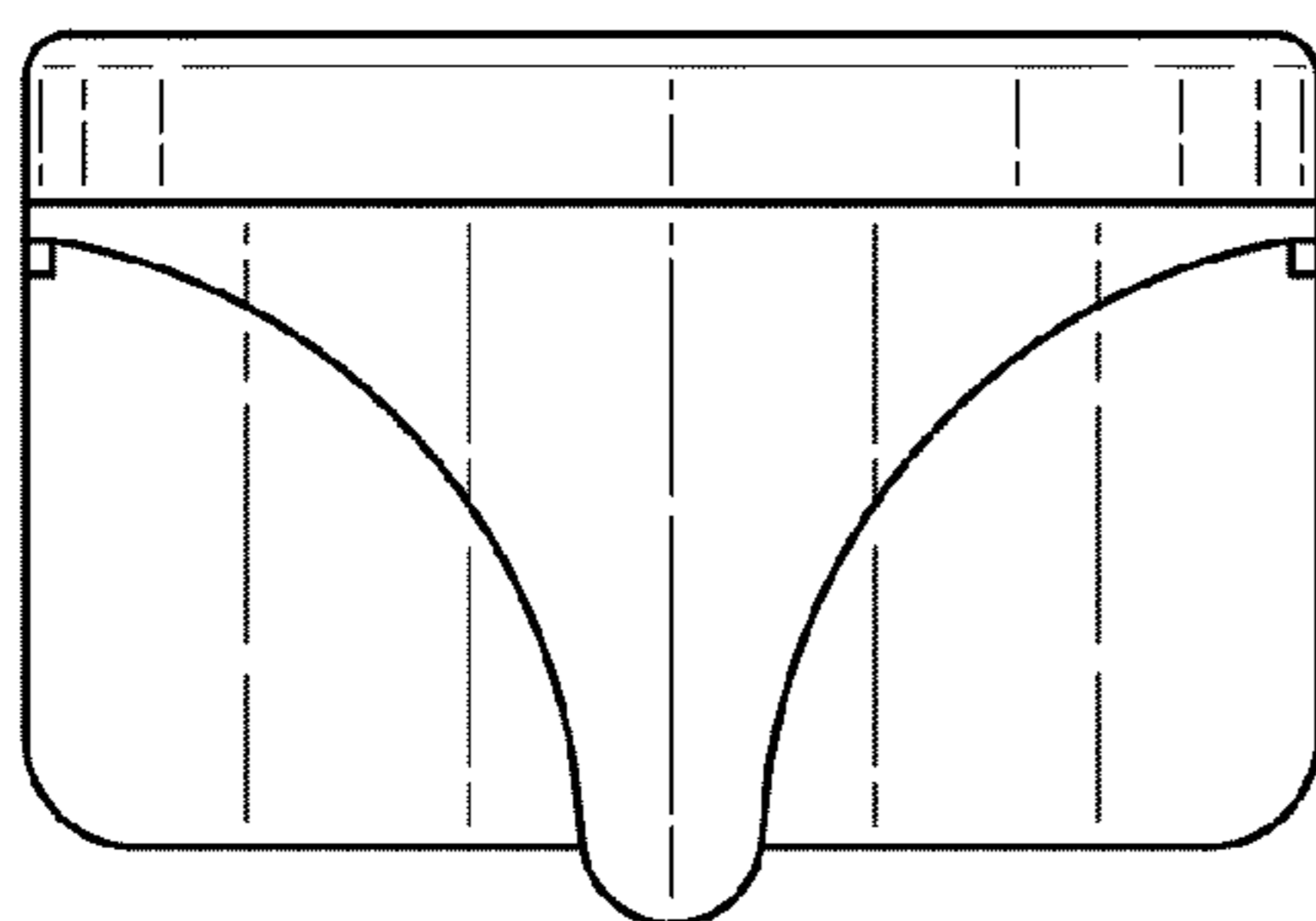


FIG. 6

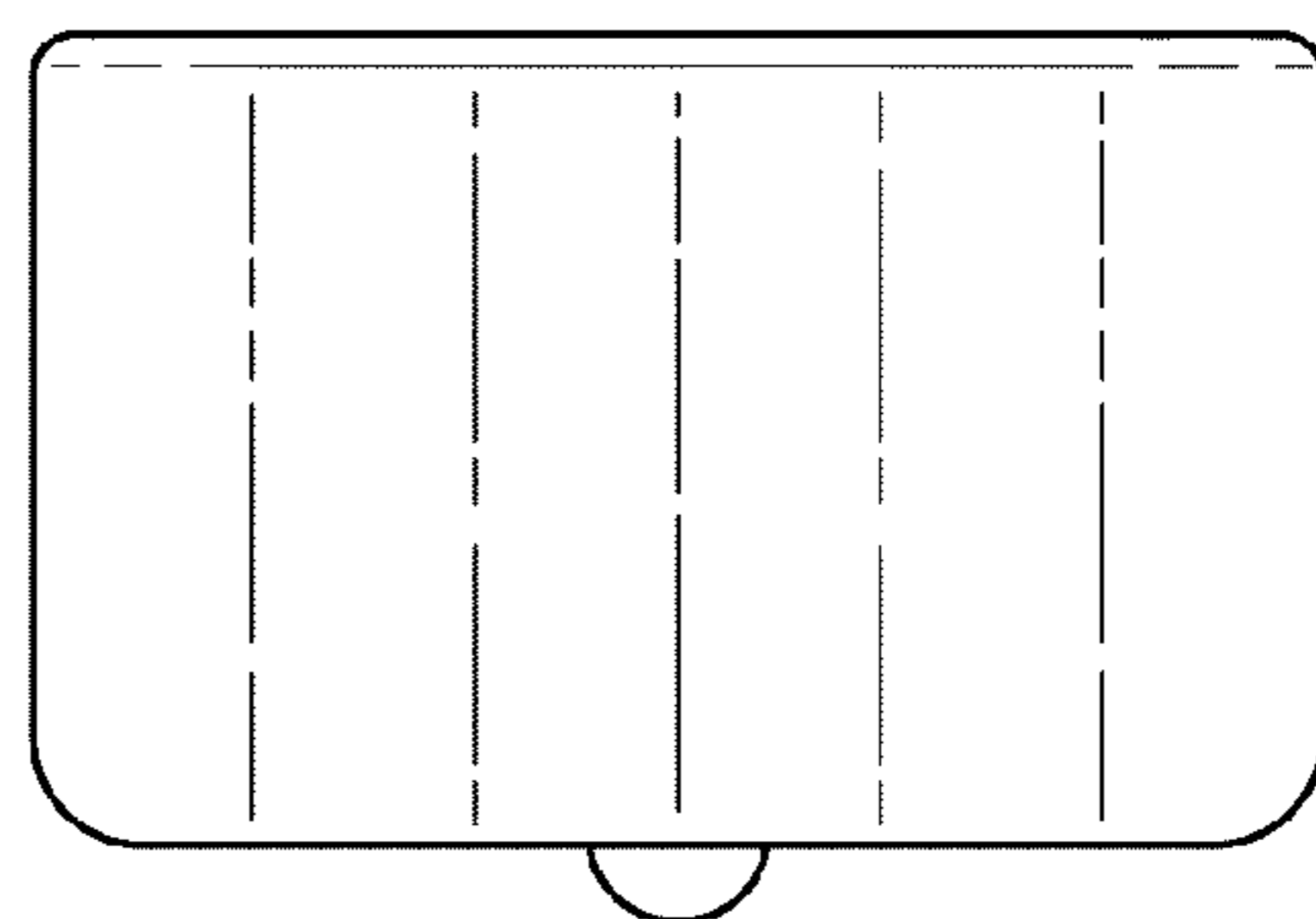


FIG. 7

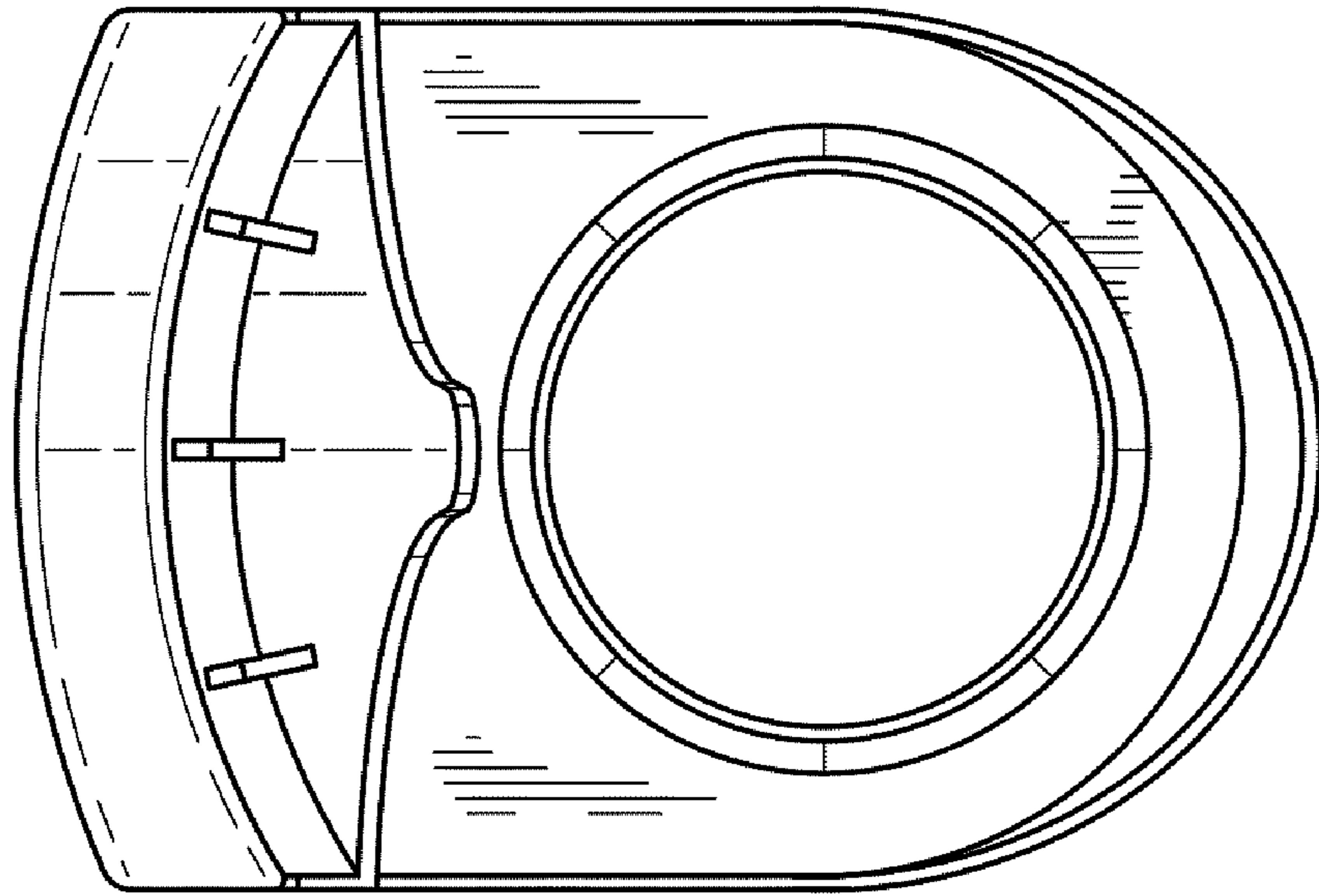


FIG. 8

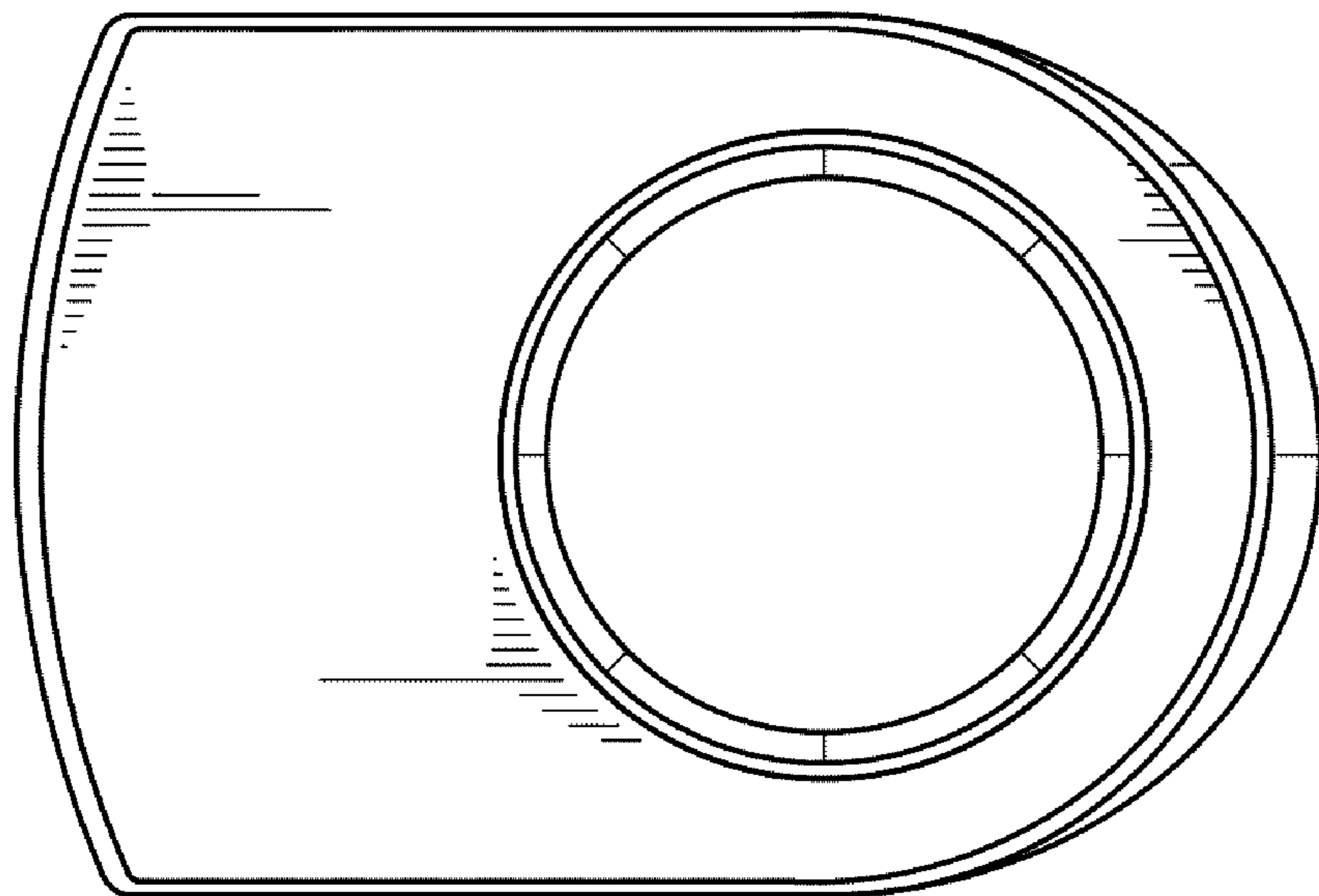


FIG. 9