



US00D650682S

(12) **United States Design Patent**
Buschmann et al.

(10) **Patent No.:** **US D650,682 S**
(45) **Date of Patent:** **** Dec. 20, 2011**

- (54) **BOTTLE**
- (76) Inventors: **Kristian Buschmann**, Chicago, IL (US);
Bridget Soldan, Lisle, IL (US)
- (**) **Term:** **14 Years**
- (21) **Appl. No.:** **29/351,934**
- (22) **Filed:** **Dec. 14, 2009**
- (51) **LOC (9) Cl.** **09-01**
- (52) **U.S. Cl.** **D9/522; D9/523; D9/571; D9/575**
- (58) **Field of Classification Search** D9/516,
D9/522-523, 538, 541, 549, 557, 562, 571,
D9/574-575; D23/366; 215/382-384; 392/390,
392/392, 403; D4/114, 116
See application file for complete search history.

(56) **References Cited**

U.S. PATENT DOCUMENTS

D86,656 S *	4/1932	Barbiers	D9/569 X
2,038,411 A	4/1936	Brody		
D160,209 S	9/1950	Piccoli		
3,091,396 A	5/1963	Curtin		
3,358,552 A	12/1967	Schneider		
3,588,859 A	6/1971	Petree		
3,910,495 A	10/1975	Cummings et al.		
3,940,015 A	2/1976	Gili		
4,106,671 A	8/1978	Sharples		
4,202,387 A	5/1980	Upton		
4,301,093 A	11/1981	Eck		
4,621,768 A	11/1986	Lhoste et al.		
4,660,764 A	4/1987	Joyaux et al.		
4,703,314 A	10/1987	Spani		
4,849,606 A	7/1989	Martens, III et al.		
4,883,049 A	11/1989	McDonald		
4,898,328 A	2/1990	Fox et al.		
D322,217 S *	12/1991	Dinand	D9/575
5,121,881 A	6/1992	Lembeck		
5,136,684 A	8/1992	Lonker et al.		
5,402,517 A	3/1995	Gillett et al.		
5,413,244 A	5/1995	Ramsey		

5,647,052 A	7/1997	Patel et al.		
5,647,053 A	7/1997	Schroeder et al.		
D386,974 S	12/1997	Wefler		
5,716,000 A	2/1998	Fox		
5,735,460 A	4/1998	Eisenbraun		
5,788,155 A	8/1998	Martin et al.		
5,810,265 A	9/1998	Cornelius et al.		
5,840,246 A	11/1998	Hammons et al.		
5,980,241 A	11/1999	Schirneker		
D421,912 S *	3/2000	Nosella	D9/571 X
6,085,026 A	7/2000	Hammons et al.		

(Continued)

FOREIGN PATENT DOCUMENTS

WO 2008059210 5/2008

(Continued)

OTHER PUBLICATIONS

U.S. Appl. No. 29/351,927, entitled "Bottle" and filed on Dec. 14, 2009.

(Continued)

Primary Examiner — Carol P Rademaker

(57) **CLAIM**

The ornamental design for a bottle, as shown and described.

DESCRIPTION

FIG. 1 is a front elevational view of a bottle of the present invention;

FIG. 2 is a rear elevational view thereof;

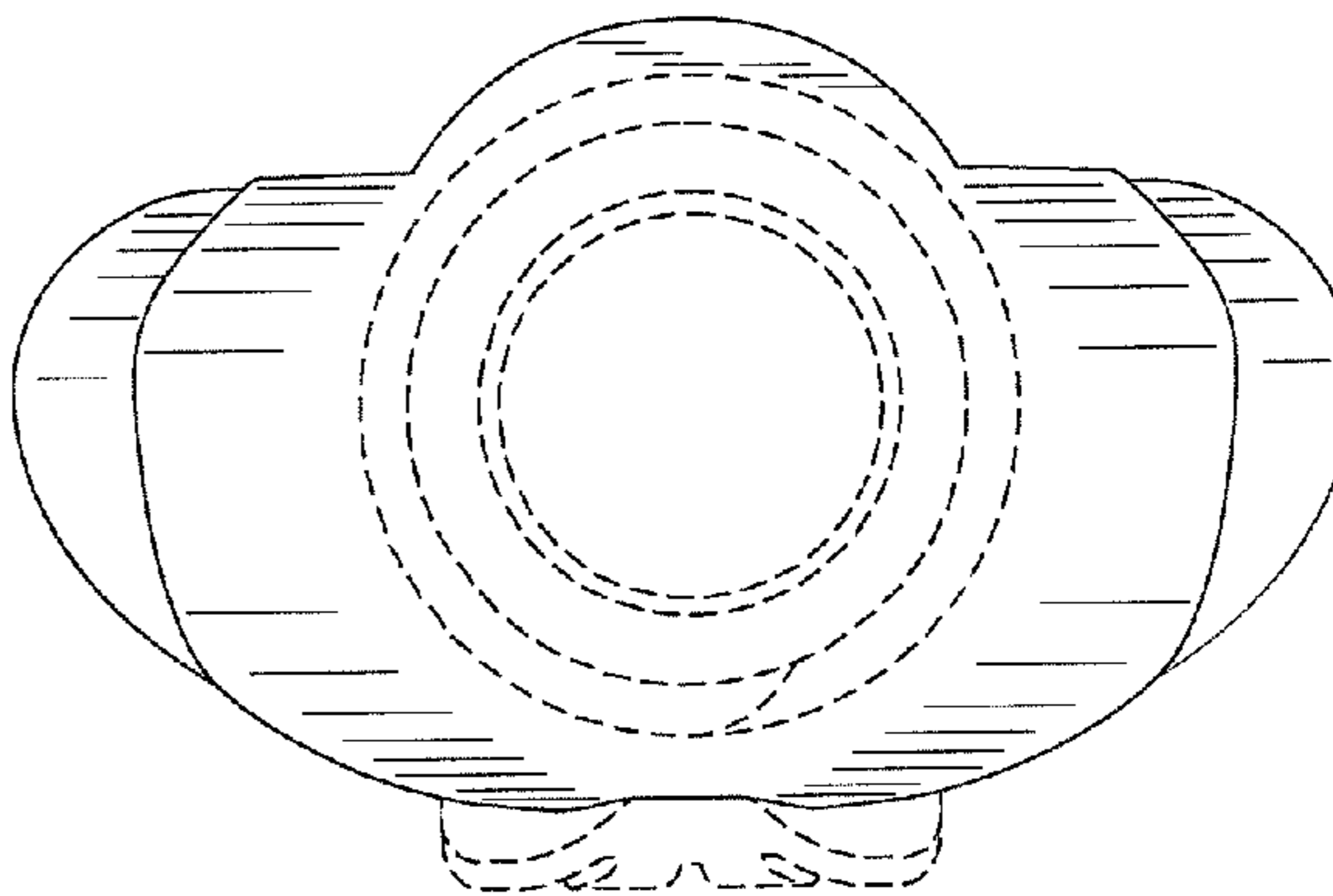
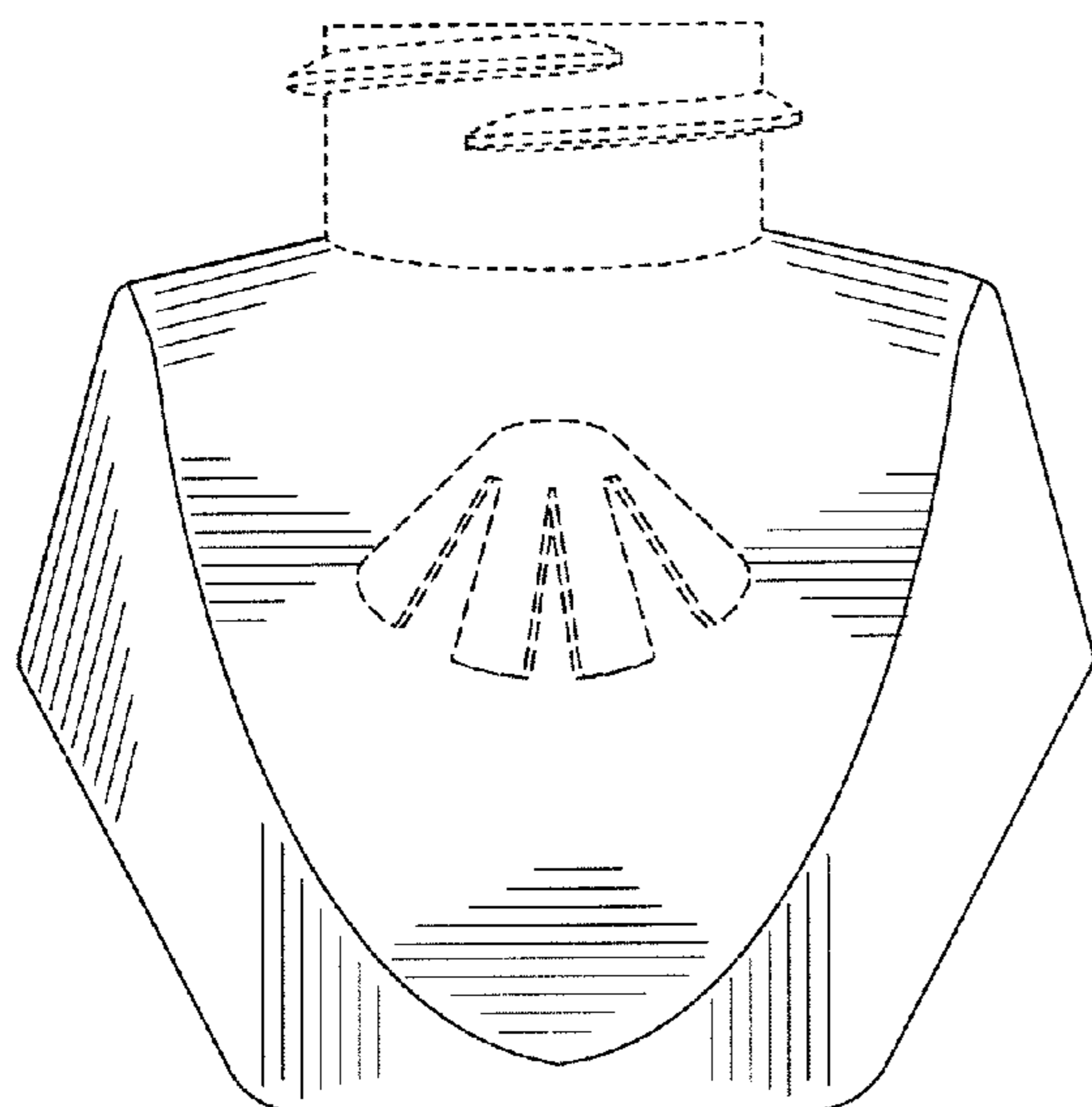
FIG. 3 is a left side elevational view thereof;

FIG. 4 is a right side elevational view thereof; and,

FIG. 5 is a top plan view thereof.

The broken lines shown in the drawing are included for the purpose of illustrating environmental structure and form no part of the claimed design.

1 Claim, 3 Drawing Sheets



US D650,682 S

U.S. PATENT DOCUMENTS

6,102,301 A 8/2000 Tiedemann
 6,104,867 A 8/2000 Stathakis et al.
 D430,659 S 9/2000 Zaragoza et al.
 D432,222 S 10/2000 Rymer et al.
 D439,319 S 3/2001 Wolpert
 6,236,807 B1 5/2001 Ruffolo et al.
 D444,220 S 6/2001 Basaganas
 6,278,840 B1 8/2001 Basaganas Millan
 6,285,830 B1 9/2001 Basaganas Millan
 D453,110 S * 1/2002 Bulsink D9/522
 D454,628 S 3/2002 Basaganas
 6,354,513 B1 3/2002 Basaganas Millan
 6,431,400 B1 8/2002 O'Maley et al.
 6,466,739 B2 10/2002 Ambrosi et al.
 6,563,091 B2 5/2003 Vieira
 6,567,613 B2 5/2003 Rymer
 6,569,387 B1 5/2003 Furner et al.
 RE38,150 E 6/2003 Greatbatch et al.
 6,580,875 B2 6/2003 Rymer
 D476,727 S * 7/2003 Basaganas Millan D23/366
 D476,895 S 7/2003 Fellows et al.
 D477,066 S * 7/2003 Lonczak et al. D9/522 X
 6,594,445 B2 7/2003 Basaganas Millan
 6,603,924 B2 8/2003 Brown et al.
 D479,804 S 9/2003 Wolpert et al.
 6,619,560 B1 9/2003 Chun
 6,622,662 B1 9/2003 Wolpert et al.
 D480,316 S 10/2003 Wolpert et al.
 6,631,888 B1 10/2003 Prueter
 6,659,301 B2 12/2003 Fellows et al.
 6,661,967 B2 12/2003 Levine et al.
 6,697,571 B2 2/2004 Triplett et al.
 6,699,432 B2 3/2004 Channer
 D488,213 S 4/2004 Millan
 6,728,478 B2 4/2004 Cox et al.
 D491,814 S * 6/2004 Koenig D9/575 X
 6,766,773 B2 7/2004 Wolpert et al.
 6,768,865 B2 7/2004 Stathakis et al.
 6,790,408 B2 9/2004 Whitby et al.
 6,810,204 B2 10/2004 Grone et al.
 6,832,794 B2 12/2004 He et al.
 6,854,717 B2 2/2005 Millan
 6,862,403 B2 3/2005 Pedrotti et al.
 D503,621 S 4/2005 Heater
 6,885,811 B2 4/2005 He et al.
 D505,080 S * 5/2005 Cagle D9/571
 D505,330 S 5/2005 Wolpert
 6,889,003 B2 5/2005 Triplett et al.
 6,896,196 B2 5/2005 Vieira
 6,917,754 B2 7/2005 Pedrotti et al.
 6,931,202 B2 8/2005 Pedrotti et al.
 6,950,607 B2 9/2005 Yip et al.
 D510,423 S 10/2005 Caserta et al.
 D515,192 S 2/2006 Smith et al.
 7,000,808 B2 2/2006 Schuessler
 D516,692 S 3/2006 Caserta et al.
 7,014,818 B2 3/2006 Rymer
 D518,730 S 4/2006 Caserta et al.
 7,028,861 B2 4/2006 Sayers et al.
 D522,119 S 5/2006 Baraky et al.
 D533,458 S 12/2006 Weggelaar
 D533,930 S 12/2006 Keller, Jr. et al.
 D534,265 S 12/2006 Weggelaar
 D534,642 S 1/2007 Caserta et al.
 D535,735 S 1/2007 Ruiz Ballesteros et al.
 7,157,057 B2 1/2007 Gohil
 7,168,631 B2 1/2007 Jones
 D536,979 S 2/2007 Caserta et al.
 D536,980 S 2/2007 Smith et al.
 D537,351 S 2/2007 Caserta et al.
 D537,354 S 2/2007 Caserta et al.
 7,182,227 B2 2/2007 Poile et al.
 D539,892 S 4/2007 Caserta et al.
 D540,454 S 4/2007 Ruiz Ballesteros et al.
 D541,160 S 4/2007 Cortes
 7,209,650 B2 4/2007 Caserta et al.
 D542,662 S 5/2007 Caserta et al.
 D542,902 S 5/2007 Caserta et al.

D542,903 S 5/2007 Caserta et al.
 7,223,361 B2 5/2007 Kvietok et al.
 D544,087 S 6/2007 Baraky et al.
 D547,851 S 7/2007 Anderson et al.
 7,243,859 B2 7/2007 Caserta et al.
 D548,318 S 8/2007 Copeman
 7,263,282 B2 8/2007 Meyer
 D551,334 S 9/2007 Copeman
 7,281,670 B2 * 10/2007 Lakatos et al. 239/44
 D554,532 S 11/2007 Weggelaar
 D556,311 S 11/2007 Copeman
 D556,582 S 12/2007 Heijdenrijk
 7,341,698 B2 * 3/2008 Pedrotti et al. 422/123
 D567,920 S 4/2008 Cantoni et al.
 D567,922 S 4/2008 Turchi et al.
 D567,923 S 4/2008 Turchi et al.
 7,352,960 B2 4/2008 Hafer et al.
 7,357,561 B2 4/2008 Hidalgo et al.
 D568,454 S 5/2008 Bellofatto et al.
 RE40,392 E 6/2008 Rymer et al.
 7,382,975 B2 6/2008 Caserta et al.
 D573,705 S 7/2008 Turchi et al.
 7,400,822 B2 7/2008 Ruiz Ballesteros et al.
 D574,248 S 8/2008 Baraky et al.
 7,416,766 B2 * 8/2008 Trent et al. 428/35.7
 D579,777 S 11/2008 Weggelaar
 D579,787 S 11/2008 Weggelaar
 D580,272 S 11/2008 Weggelaar
 D580,787 S 11/2008 Weggelaar
 D583,457 S 12/2008 Kay et al.
 7,467,944 B2 12/2008 Furner
 D596,730 S 7/2009 Langley et al.
 7,589,340 B2 * 9/2009 Dancs et al. 250/577
 D604,619 S 11/2009 Tebe Poves et al.
 D605,945 S 12/2009 Macaulay et al.
 D606,643 S 12/2009 Butler et al.
 D606,644 S 12/2009 Butler et al.
 D618,550 S 6/2010 De Haan
 D619,464 S * 7/2010 Langley et al. D9/575 X
 D619,466 S * 7/2010 Synder D9/571 X
 D621,712 S * 8/2010 Tomas Vilarrasa
 et al. D9/523 X
 D626,845 S * 11/2010 De Haan D9/522
 2002/0172512 A1 * 11/2002 Stathakis et al. 392/392 X
 2004/0076553 A1 4/2004 Zobebe et al.
 2004/0190883 A1 9/2004 Kompara et al.
 2005/0094988 A1 * 5/2005 Yip et al. 392/392 X
 2005/0194344 A1 9/2005 Heater
 2006/0043619 A1 3/2006 Brown et al.
 2006/0110144 A1 5/2006 Fellows et al.
 2006/0198618 A1 9/2006 Freidel
 2006/0249593 A1 11/2006 Brown et al.
 2006/0280659 A1 12/2006 Brown et al.
 2007/0045223 A1 3/2007 Noll et al.
 2008/0056691 A1 3/2008 Wingo et al.
 2008/0099483 A1 5/2008 Anderson et al.
 2008/0099572 A1 5/2008 Tollens et al.
 2008/0156896 A1 7/2008 Anderson et al.
 2008/0217425 A1 9/2008 Butler et al.
 2008/0276523 A1 11/2008 McKechnie
 2008/0279731 A1 11/2008 Goreham et al.
 2008/0292294 A1 11/2008 Zlotnik et al.
 2009/0127282 A1 5/2009 Reynolds et al.
 2009/0132065 A1 5/2009 Reynolds et al.
 2009/0151447 A1 6/2009 Jin et al.
 2009/0184173 A1 7/2009 Duru

FOREIGN PATENT DOCUMENTS

WO 2008119953 10/2008
 WO 2008119956 10/2008
 WO 2009027668 3/2009
 WO 2009027670 3/2009
 WO 2009130235 10/2009

OTHER PUBLICATIONS

U.S. Appl. No. 29/351,935, entitled "Bottle" and filed on Dec. 14, 2009.

US D650,682 S

Page 3

U.S. Appl. No. 29/351,938, entitled "Bottle" and filed on Dec. 14, 2009.

U.S. Appl. No. 29/351,939, entitled "Bottle" and filed on Dec. 14, 2009.

U.S. Appl. No. 29/351,943, entitled "Bottle" and filed on Dec. 14, 2009.

U.S. Appl. No. 29/351,946, entitled "Bottle" and filed on Dec. 14, 2009.

U.S. Appl. No. 29/360,934, entitled "Bottle" and filed on May 3, 2010.

* cited by examiner

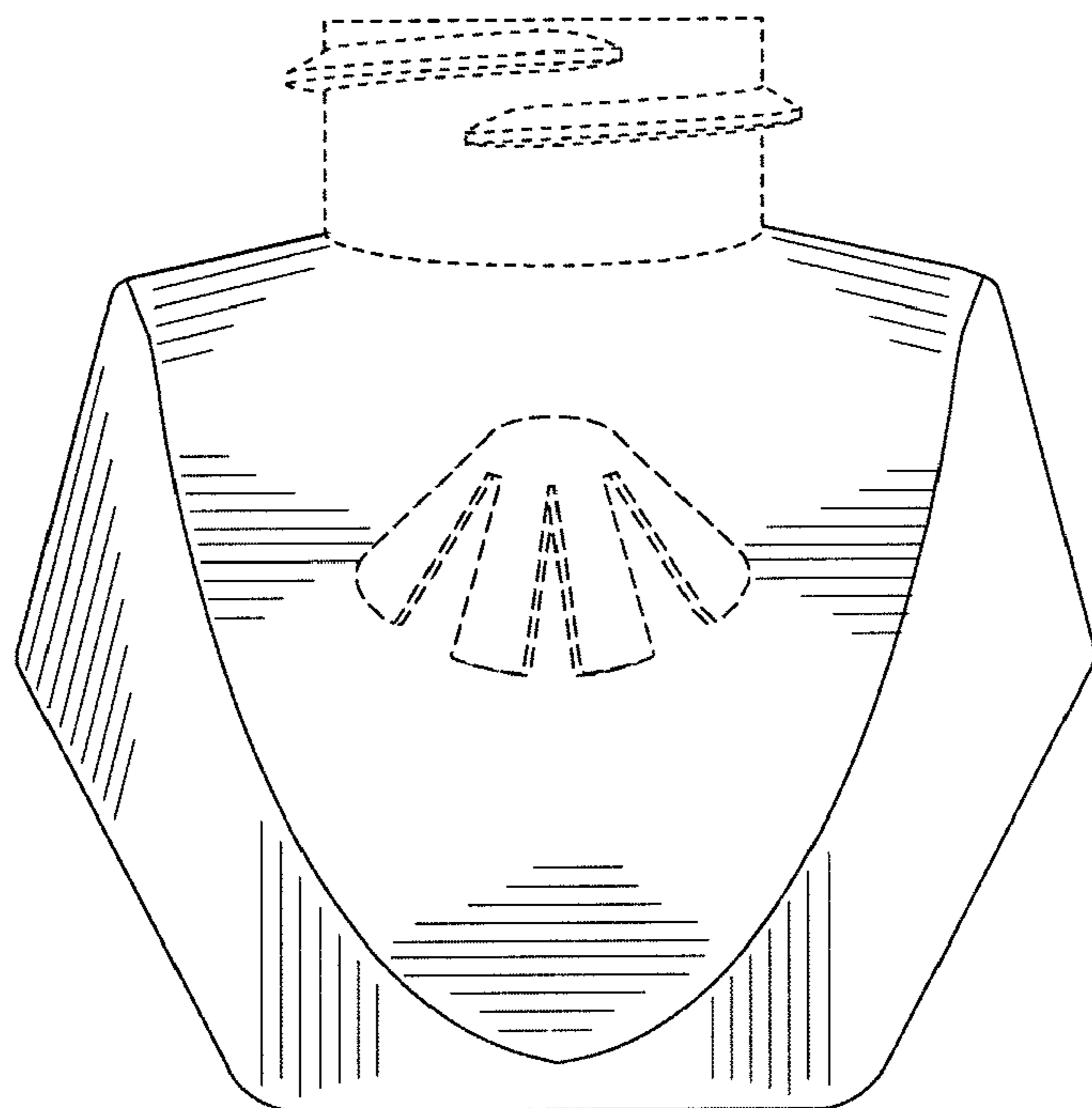


Fig. 1

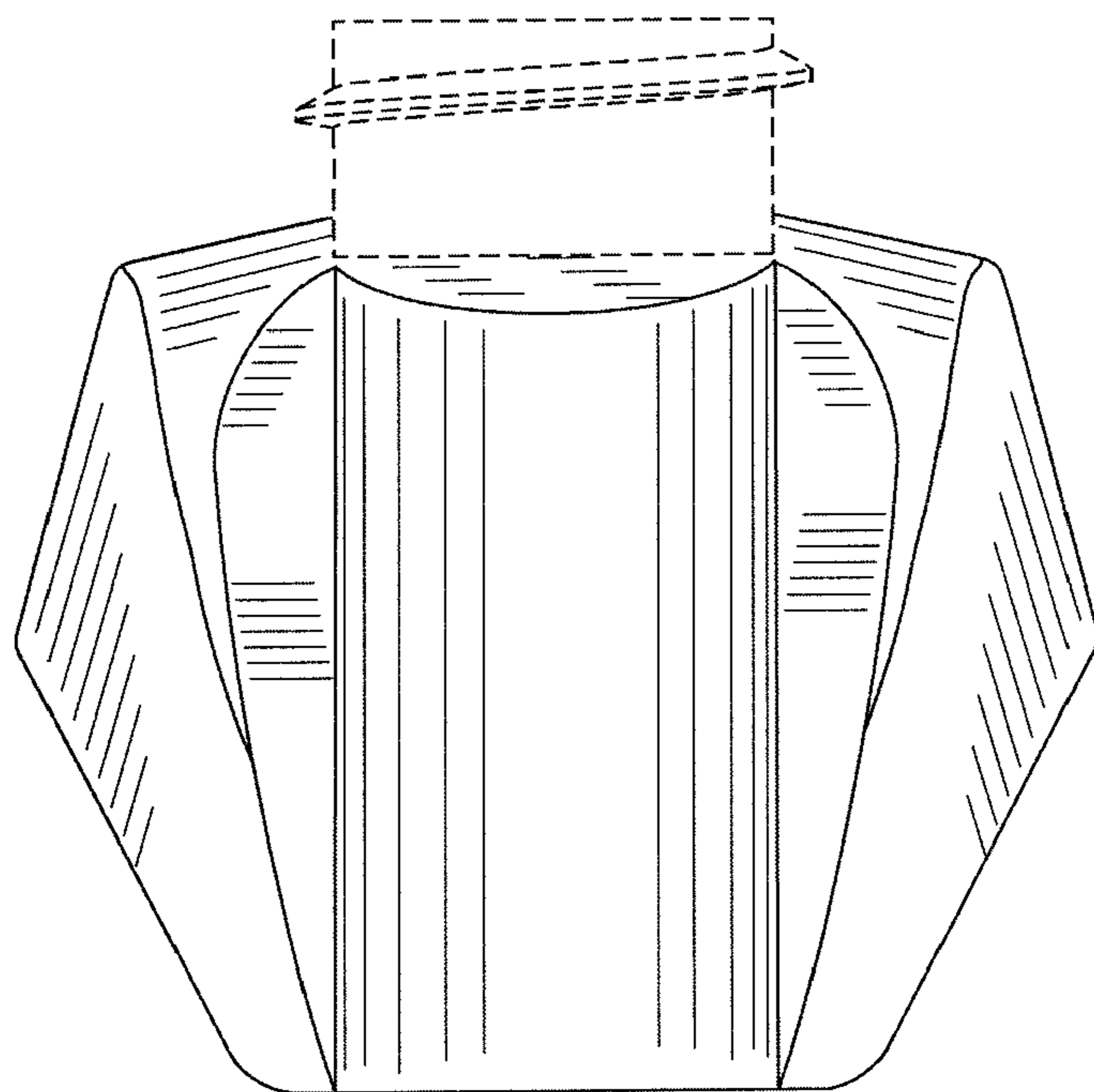


Fig. 2

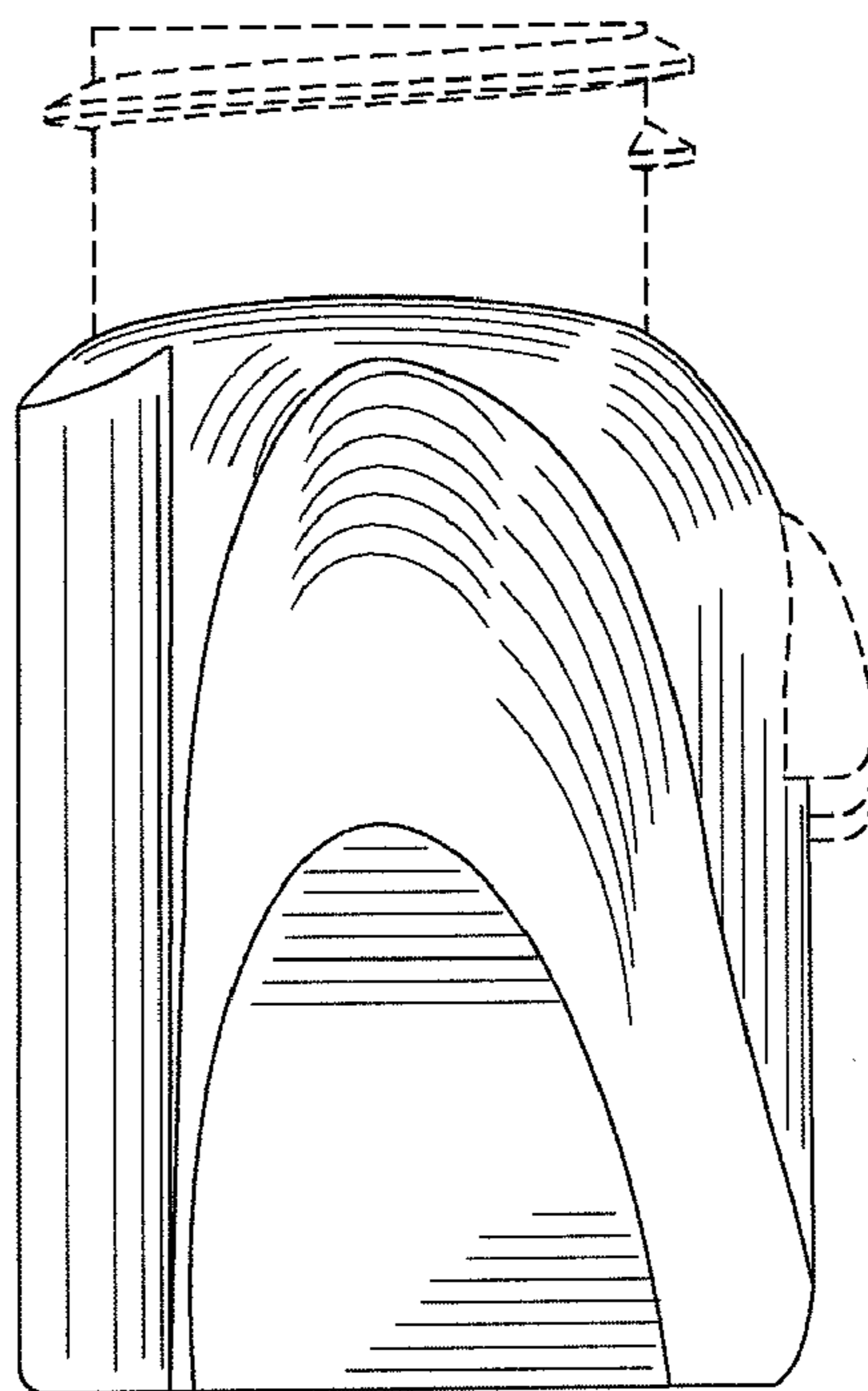


Fig. 3

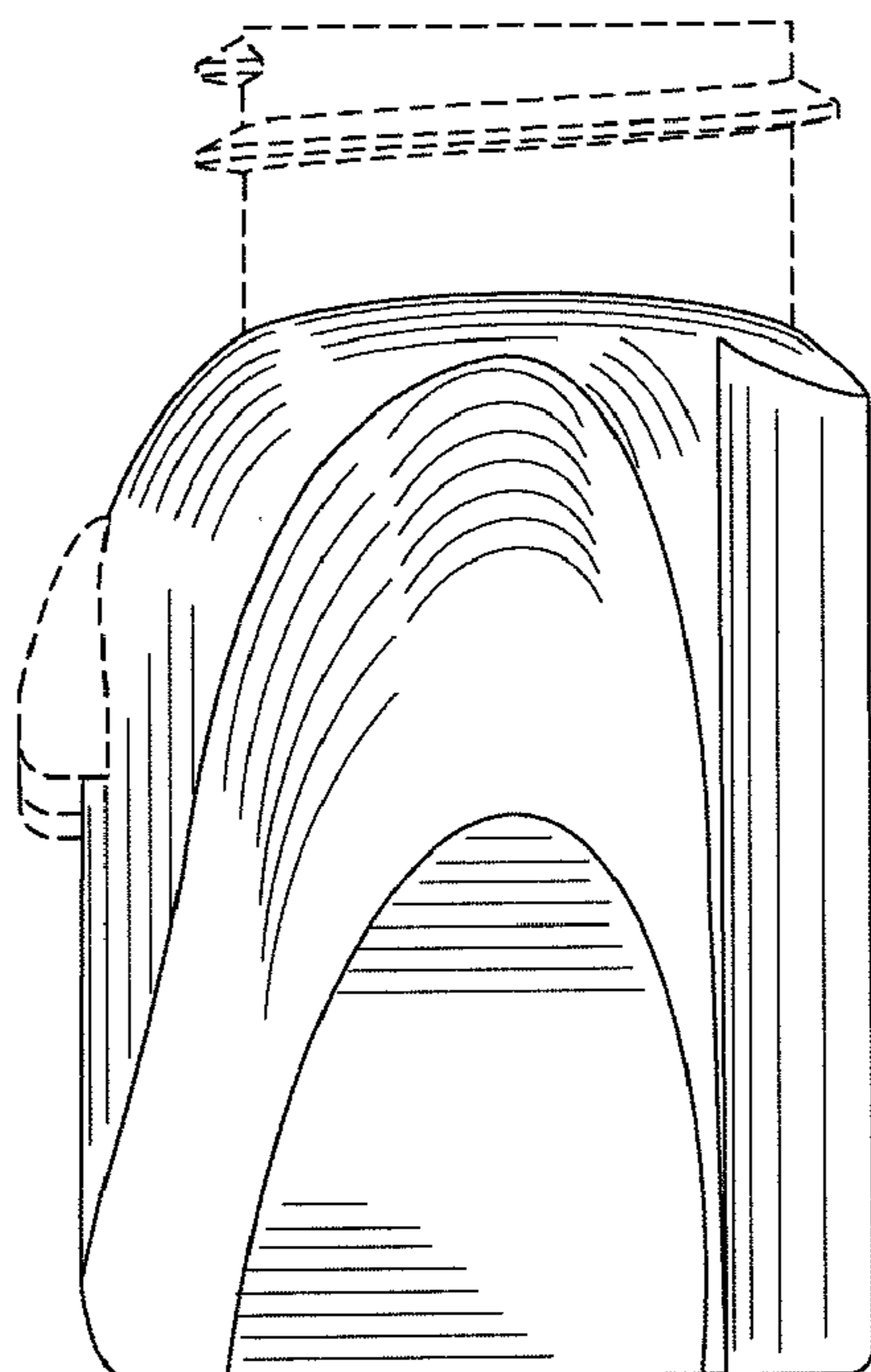


Fig. 4

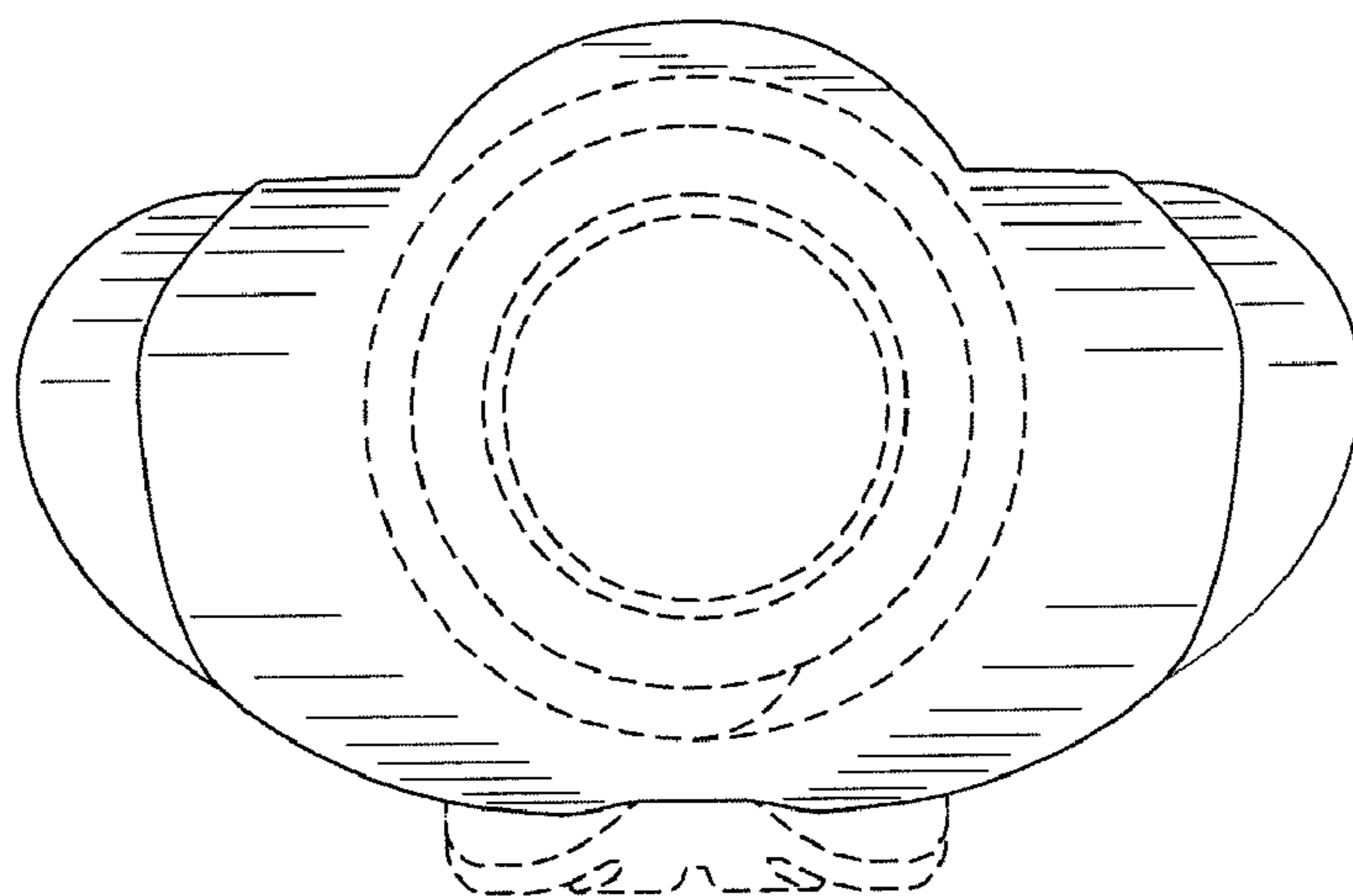


Fig. 5