



US00D650681S

(12) **United States Design Patent**  
**Buschmann et al.**

(10) **Patent No.:** **US D650,681 S**

(45) **Date of Patent:** **\*\* Dec. 20, 2011**

(54) **BOTTLE**

(76) Inventors: **Kristian Buschmann**, Chicago, IL (US);  
**Bridget Soldan**, Lisle, IL (US)

(\*\*) Term: **14 Years**

(21) Appl. No.: **29/351,927**

(22) Filed: **Dec. 14, 2009**

(51) **LOC (9) Cl.** ..... **09-01**

(52) **U.S. Cl.** ..... **D9/522; D9/523; D9/541; D9/543;**  
**D9/570; D9/575**

(58) **Field of Classification Search** ..... D9/516,  
D9/522-523, 538, 541, 549, 557, 562, 570,  
D9/574-575; D23/366; 215/382-384; 392/390,  
392/392, 403; D4/114, 116  
See application file for complete search history.

(56) **References Cited**

**U.S. PATENT DOCUMENTS**

|              |         |                     |       |          |
|--------------|---------|---------------------|-------|----------|
| D86,656 S *  | 4/1932  | Barbiers            | ..... | D9/569 X |
| D87,048 S *  | 5/1932  | Cumming             | ..... | D9/502   |
| 2,038,411 A  | 4/1936  | Brody               |       |          |
| D160,209 S   | 9/1950  | Piccoli             |       |          |
| D186,245 S * | 9/1959  | Du Pree             | ..... | D9/557 X |
| 3,091,396 A  | 5/1963  | Curtin              |       |          |
| 3,358,552 A  | 12/1967 | Schneider           |       |          |
| 3,588,859 A  | 6/1971  | Petree              |       |          |
| 3,910,495 A  | 10/1975 | Cummings et al.     |       |          |
| 3,940,015 A  | 2/1976  | Gili                |       |          |
| D248,449 S * | 7/1978  | Douglas             | ..... | D9/541 X |
| 4,106,671 A  | 8/1978  | Sharples            |       |          |
| 4,202,387 A  | 5/1980  | Upton               |       |          |
| 4,301,093 A  | 11/1981 | Eck                 |       |          |
| 4,621,768 A  | 11/1986 | Lhoste et al.       |       |          |
| 4,660,764 A  | 4/1987  | Joyaux et al.       |       |          |
| 4,703,314 A  | 10/1987 | Spani               |       |          |
| 4,849,606 A  | 7/1989  | Martens, III et al. |       |          |
| 4,883,049 A  | 11/1989 | McDonald            |       |          |
| 4,898,328 A  | 2/1990  | Fox et al.          |       |          |

|              |         |                  |       |          |
|--------------|---------|------------------|-------|----------|
| D314,136 S * | 1/1991  | Malvoisin        | ..... | D9/541 X |
| D316,223 S * | 4/1991  | Dinand           | ..... | D9/575 X |
| D322,217 S * | 12/1991 | Dinand           | ..... | D9/575   |
| 5,121,881 A  | 6/1992  | Lembeck          |       |          |
| 5,136,684 A  | 8/1992  | Lonker et al.    |       |          |
| 5,402,517 A  | 3/1995  | Gillett et al.   |       |          |
| 5,413,244 A  | 5/1995  | Ramsey           |       |          |
| 5,647,052 A  | 7/1997  | Patel et al.     |       |          |
| 5,647,053 A  | 7/1997  | Schroeder et al. |       |          |
| D386,974 S   | 12/1997 | Wefler           |       |          |
| 5,716,000 A  | 2/1998  | Fox              |       |          |

(Continued)

**FOREIGN PATENT DOCUMENTS**

WO 2008059210 5/2008

(Continued)

**OTHER PUBLICATIONS**

U.S. Appl. No. 29/351,934, entitled "Bottle" and filed Dec. 14, 2009.

(Continued)

*Primary Examiner* — Carol P Rademaker

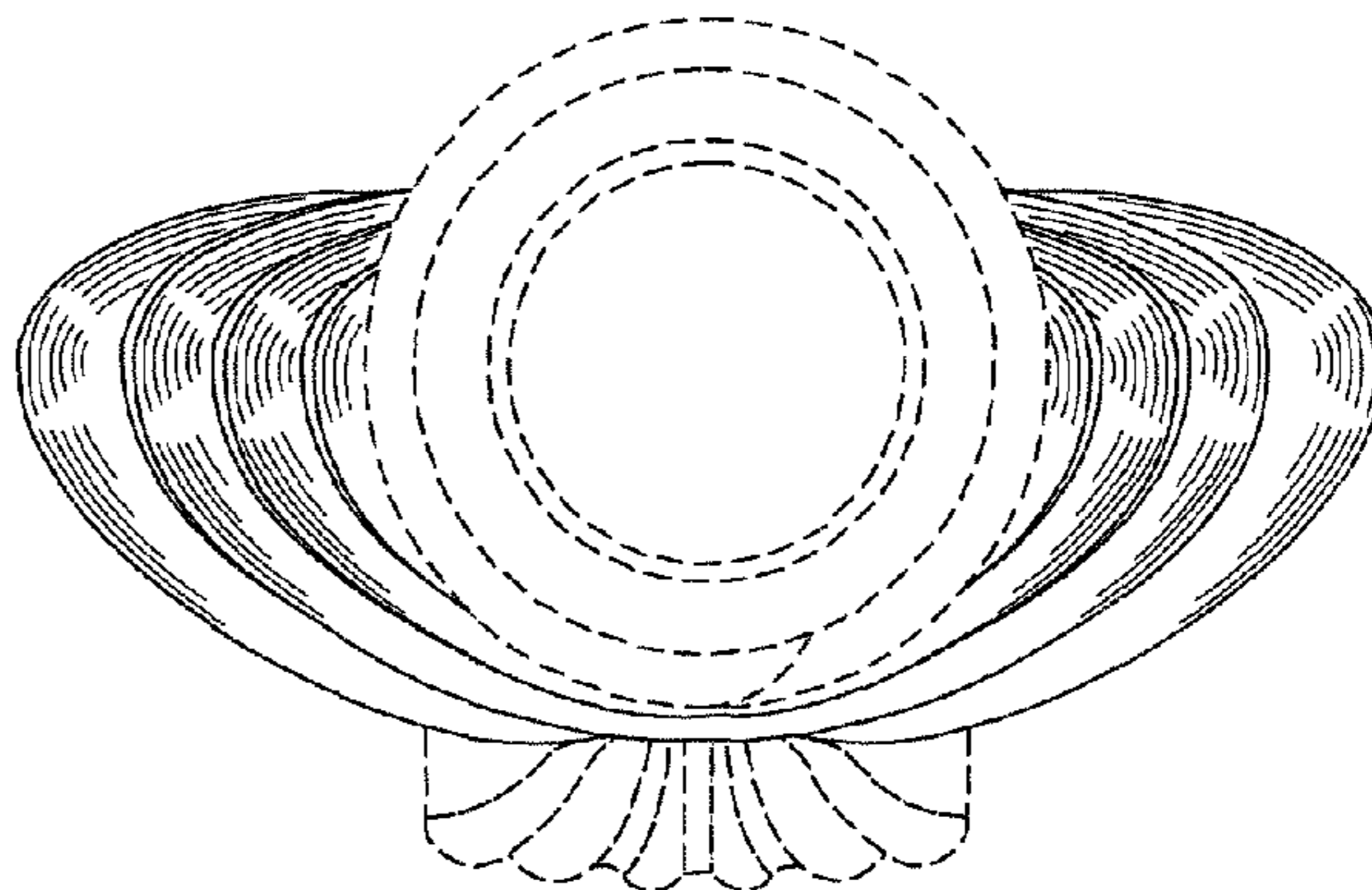
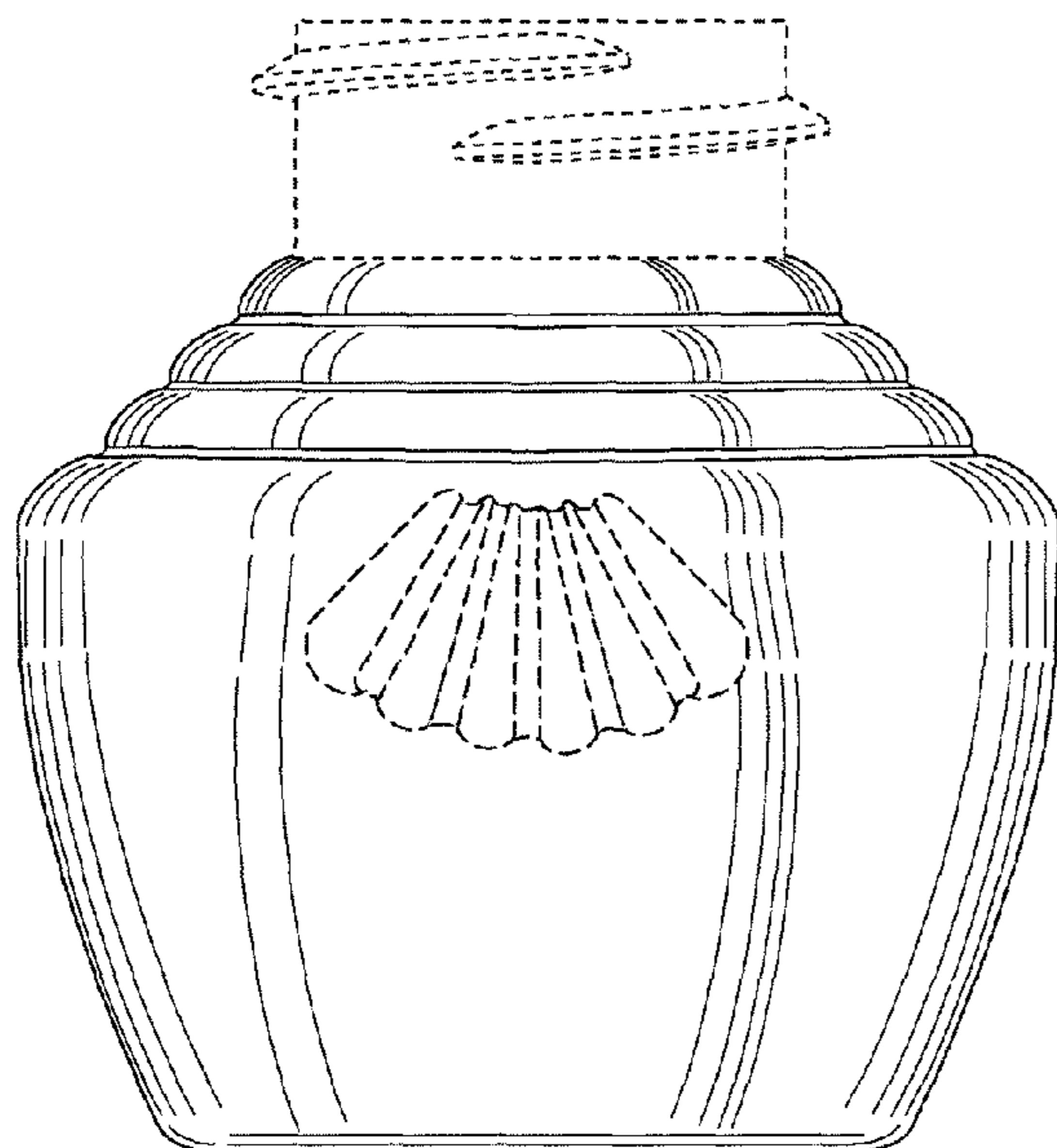
(57) **CLAIM**

The ornamental design for a bottle, as shown and described.

**DESCRIPTION**

FIG. 1 is a front elevational view of a bottle of the present invention;  
FIG. 2 is a rear elevational view thereof;  
FIG. 3 is a right side elevational view thereof;  
FIG. 4 is a left side elevational view thereof;  
FIG. 5 is a top plan view thereof; and,  
FIG. 6 is a bottom plan view thereof.  
The broken lines shown in the drawing are included for the purpose of illustrating environmental structure and form no part of the claimed design.

**1 Claim, 3 Drawing Sheets**



# US D650,681 S

### U.S. PATENT DOCUMENTS

5,735,460 A 4/1998 Eisenbraun  
 5,788,155 A 8/1998 Martin et al.  
 5,810,265 A 9/1998 Cornelius et al.  
 5,840,246 A 11/1998 Hammons et al.  
 5,980,241 A 11/1999 Schirneker  
 6,085,026 A 7/2000 Hammons et al.  
 6,102,301 A 8/2000 Tiedemann  
 6,104,867 A 8/2000 Stathakis et al.  
 D430,659 S 9/2000 Zaragoza et al.  
 D432,222 S 10/2000 Rymer et al.  
 D439,319 S 3/2001 Wolpert  
 6,236,807 B1 5/2001 Ruffolo et al.  
 D444,220 S 6/2001 Basaganas  
 6,278,840 B1 8/2001 Basaganas Millan  
 6,285,830 B1 9/2001 Basaganas Millan  
 D454,628 S 3/2002 Basaganas  
 6,354,513 B1 3/2002 Basaganas Millan  
 6,431,400 B1 8/2002 O'Maley et al.  
 6,466,739 B2 10/2002 Ambrosi et al.  
 6,563,091 B2 5/2003 Vieira  
 6,567,613 B2 5/2003 Rymer  
 6,569,387 B1 5/2003 Furner et al.  
 RE38,150 E 6/2003 Greatbatch et al.  
 6,580,875 B2 6/2003 Rymer  
 D476,727 S 7/2003 Basaganas Millan  
 D476,895 S 7/2003 Fellows et al.  
 6,594,445 B2 7/2003 Basaganas Millan  
 6,603,924 B2 8/2003 Brown et al.  
 D479,804 S 9/2003 Wolpert et al.  
 6,619,560 B1 9/2003 Chun  
 6,622,662 B1 9/2003 Wolpert et al.  
 D480,316 S 10/2003 Wolpert et al.  
 6,631,888 B1 10/2003 Prueter  
 6,659,301 B2 12/2003 Fellows et al.  
 6,661,967 B2 12/2003 Levine et al.  
 6,697,571 B2 2/2004 Triplett et al.  
 6,699,432 B2 3/2004 Channer  
 D488,213 S 4/2004 Millan  
 6,728,478 B2 4/2004 Cox et al.  
 D491,814 S \* 6/2004 Koenig ..... D9/522  
 6,766,773 B2 7/2004 Wolpert et al.  
 6,768,865 B2 7/2004 Stathakis et al.  
 6,790,408 B2 9/2004 Whitby et al.  
 6,810,204 B2 10/2004 Grone et al.  
 6,832,794 B2 12/2004 He et al.  
 6,854,717 B2 2/2005 Millan  
 6,862,403 B2 3/2005 Pedrotti et al.  
 D503,621 S 4/2005 Heater  
 6,885,811 B2 4/2005 He et al.  
 D505,330 S 5/2005 Wolpert  
 6,889,003 B2 5/2005 Triplett et al.  
 6,896,196 B2 5/2005 Vieira  
 6,917,754 B2 7/2005 Pedrotti et al.  
 6,931,202 B2 8/2005 Pedrotti et al.  
 6,950,607 B2 9/2005 Yip et al.  
 D510,423 S 10/2005 Caserta et al.  
 D515,192 S 2/2006 Smith et al.  
 7,000,808 B2 2/2006 Schuessler  
 D516,692 S 3/2006 Caserta et al.  
 7,014,818 B2 3/2006 Rymer  
 D518,730 S 4/2006 Caserta et al.  
 7,028,861 B2 4/2006 Sayers et al.  
 D522,119 S 5/2006 Baraky et al.  
 D533,458 S 12/2006 Weggelaar  
 D533,930 S 12/2006 Keller, Jr. et al.  
 D534,265 S 12/2006 Weggelaar  
 D534,642 S 1/2007 Caserta et al.  
 D535,735 S 1/2007 Ruiz Ballesteros et al.  
 7,157,057 B2 1/2007 Gohil  
 7,168,631 B2 1/2007 Jones  
 D536,979 S 2/2007 Caserta et al.  
 D536,980 S 2/2007 Smith et al.  
 D537,351 S 2/2007 Caserta et al.  
 D537,354 S 2/2007 Caserta et al.  
 7,182,227 B2 2/2007 Poile et al.  
 D539,892 S 4/2007 Caserta et al.  
 D540,454 S 4/2007 Ruiz Ballesteros et al.  
 D541,160 S 4/2007 Cortes

7,209,650 B2 4/2007 Caserta et al.  
 D542,662 S 5/2007 Caserta et al.  
 D542,902 S 5/2007 Caserta et al.  
 D542,903 S 5/2007 Caserta et al.  
 D543,464 S \* 5/2007 Lora ..... D9/523  
 7,223,361 B2 5/2007 Kvietok et al.  
 D544,087 S 6/2007 Baraky et al.  
 D547,851 S 7/2007 Anderson et al.  
 7,243,859 B2 7/2007 Caserta et al.  
 D548,318 S 8/2007 Copeman  
 7,263,282 B2 8/2007 Meyer  
 D551,334 S 9/2007 Copeman  
 7,281,670 B2 \* 10/2007 Lakatos et al. .... 239/44  
 D554,532 S 11/2007 Weggelaar  
 D556,311 S 11/2007 Copeman  
 D556,582 S 12/2007 Heijdenrijk  
 7,341,698 B2 3/2008 Pedrotti et al.  
 D567,920 S 4/2008 Cantoni et al.  
 D567,922 S 4/2008 Turchi et al.  
 D567,923 S 4/2008 Turchi et al.  
 7,352,960 B2 4/2008 Hafer et al.  
 7,357,561 B2 4/2008 Hidalgo et al.  
 D568,454 S 5/2008 Bellofatto et al.  
 RE40,392 E 6/2008 Rymer et al.  
 7,382,975 B2 6/2008 Caserta et al.  
 D573,705 S 7/2008 Turchi et al.  
 7,400,822 B2 7/2008 Ruiz Ballesteros et al.  
 D574,248 S 8/2008 Baraky et al.  
 7,416,766 B2 \* 8/2008 Trent et al. .... 428/35.7  
 D579,777 S 11/2008 Weggelaar  
 D579,787 S 11/2008 Weggelaar  
 D580,272 S 11/2008 Weggelaar  
 D580,787 S 11/2008 Weggelaar  
 D583,457 S 12/2008 Kay et al.  
 7,467,944 B2 12/2008 Furner  
 D596,730 S 7/2009 Langley et al.  
 7,589,340 B2 \* 9/2009 Dancs et al. .... 250/577  
 D604,619 S 11/2009 Tebe Poves et al.  
 D605,945 S 12/2009 Macaulay et al.  
 D606,643 S 12/2009 Butler et al.  
 D606,644 S 12/2009 Butler et al.  
 D618,550 S 6/2010 De Haan  
 D619,464 S \* 7/2010 Langley et al. .... D9/522  
 D621,712 S \* 8/2010 Tomas Vilarrasa et al. ... D9/523  
 X  
 D626,845 S \* 11/2010 De Haan ..... D9/575 X  
 2002/0172512 A1 \* 11/2002 Stathakis et al. .... 392/392 X  
 2004/0076553 A1 4/2004 Zobebe et al.  
 2004/0190883 A1 9/2004 Kompara et al.  
 2005/0094988 A1 \* 5/2005 Yip et al. .... 392/392 X  
 2005/0194344 A1 9/2005 Heater  
 2006/0043619 A1 3/2006 Brown et al.  
 2006/0110144 A1 5/2006 Fellows et al.  
 2006/0198618 A1 9/2006 Freidel  
 2006/0249593 A1 11/2006 Brown et al.  
 2006/0280659 A1 12/2006 Brown et al.  
 2007/0045223 A1 3/2007 Noll et al.  
 2008/0056691 A1 3/2008 Wingo et al.  
 2008/0099483 A1 5/2008 Anderson et al.  
 2008/0099572 A1 5/2008 Tollens et al.  
 2008/0156896 A1 7/2008 Anderson et al.  
 2008/0217425 A1 9/2008 Butler et al.  
 2008/0276523 A1 11/2008 McKechnie  
 2008/0279731 A1 11/2008 Goreham et al.  
 2008/0292294 A1 11/2008 Zlotnik et al.  
 2009/0127282 A1 5/2009 Reynolds et al.  
 2009/0132065 A1 5/2009 Reynolds et al.  
 2009/0151447 A1 6/2009 Jin et al.  
 2009/0184173 A1 7/2009 Duru

### FOREIGN PATENT DOCUMENTS

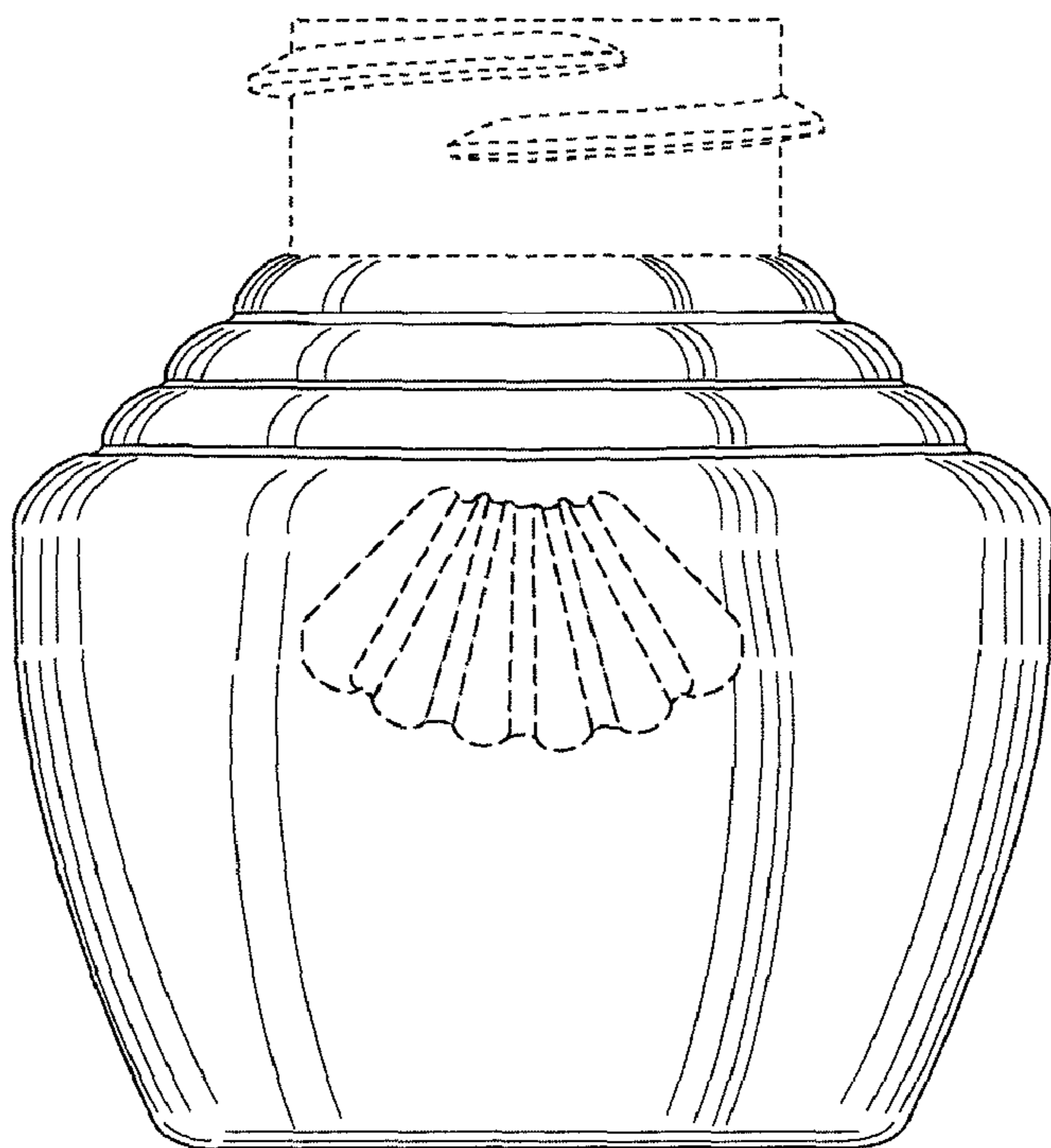
|    |            |         |
|----|------------|---------|
| WO | 2008119953 | 10/2008 |
| WO | 2008119956 | 10/2008 |
| WO | 2009027668 | 3/2009  |
| WO | 2009027670 | 3/2009  |
| WO | 2009130235 | 10/2009 |

OTHER PUBLICATIONS

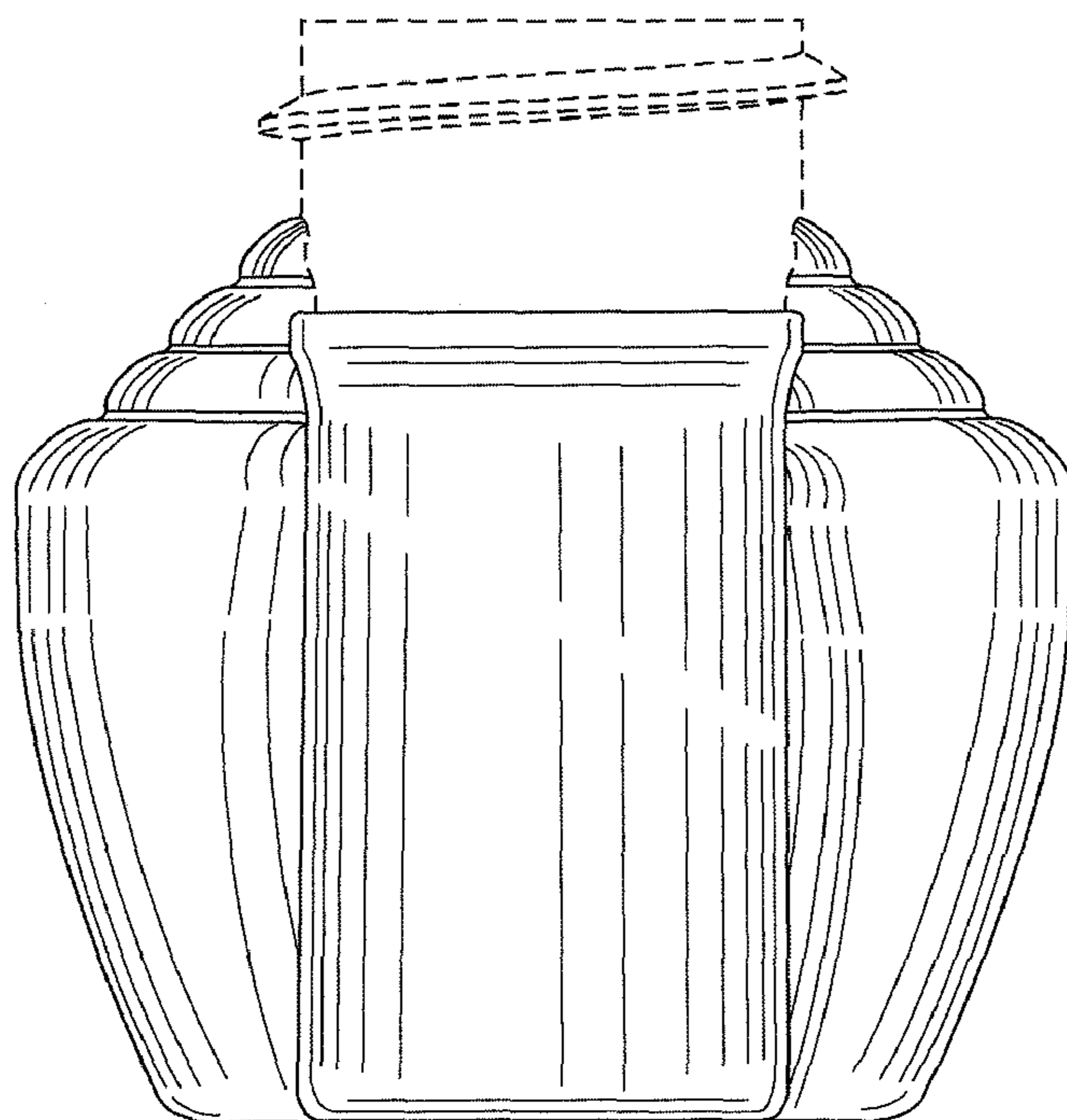
U.S. Appl. No. 29/351,935, entitled "Bottle" and filed Dec. 14, 2009.  
U.S. Appl. No. 29/351,938, entitled "Bottle" and filed Dec. 14, 2009.  
U.S. Appl. No. 29/351,939, entitled "Bottle" and filed Dec. 14, 2009.

U.S. Appl. No. 29/351,943, entitled "Bottle" and filed Dec. 14, 2009.  
U.S. Appl. No. 29/351,946, entitled "Bottle" and filed Dec. 14, 2009.  
U.S. Appl. No. 29/360,934, entitled "Bottle" and filed May 3, 2010.

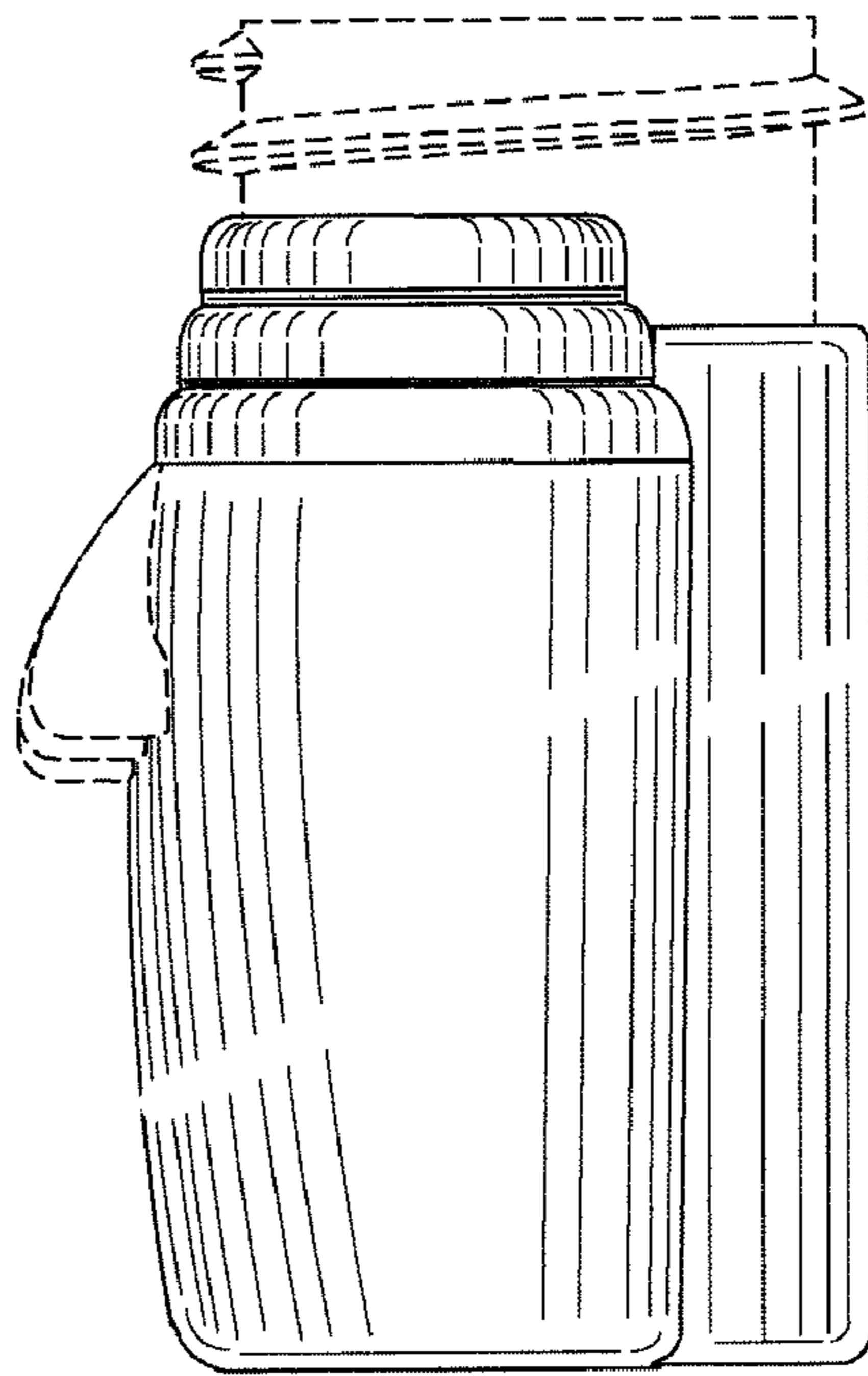
\* cited by examiner



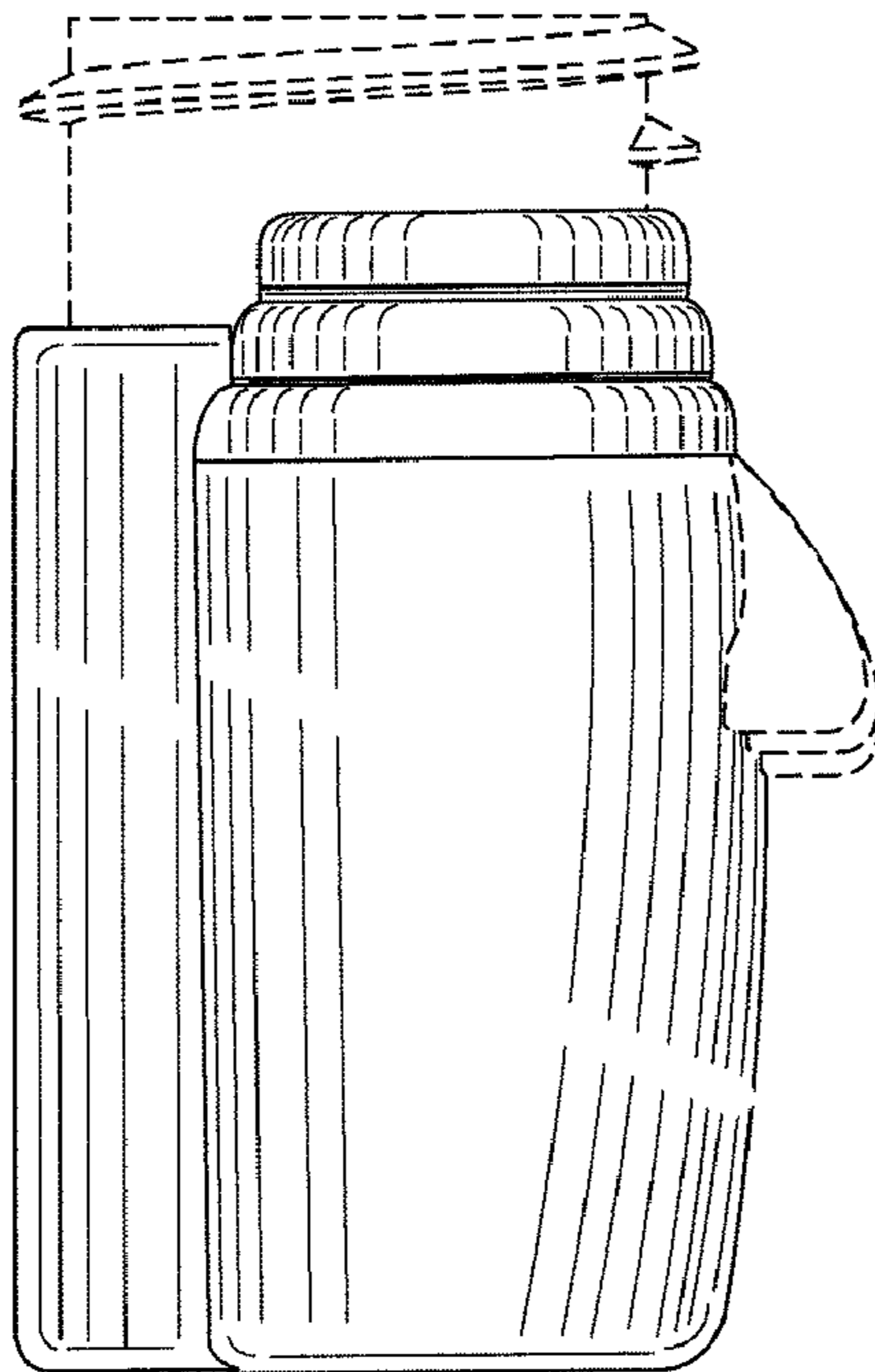
*Fig. 1*



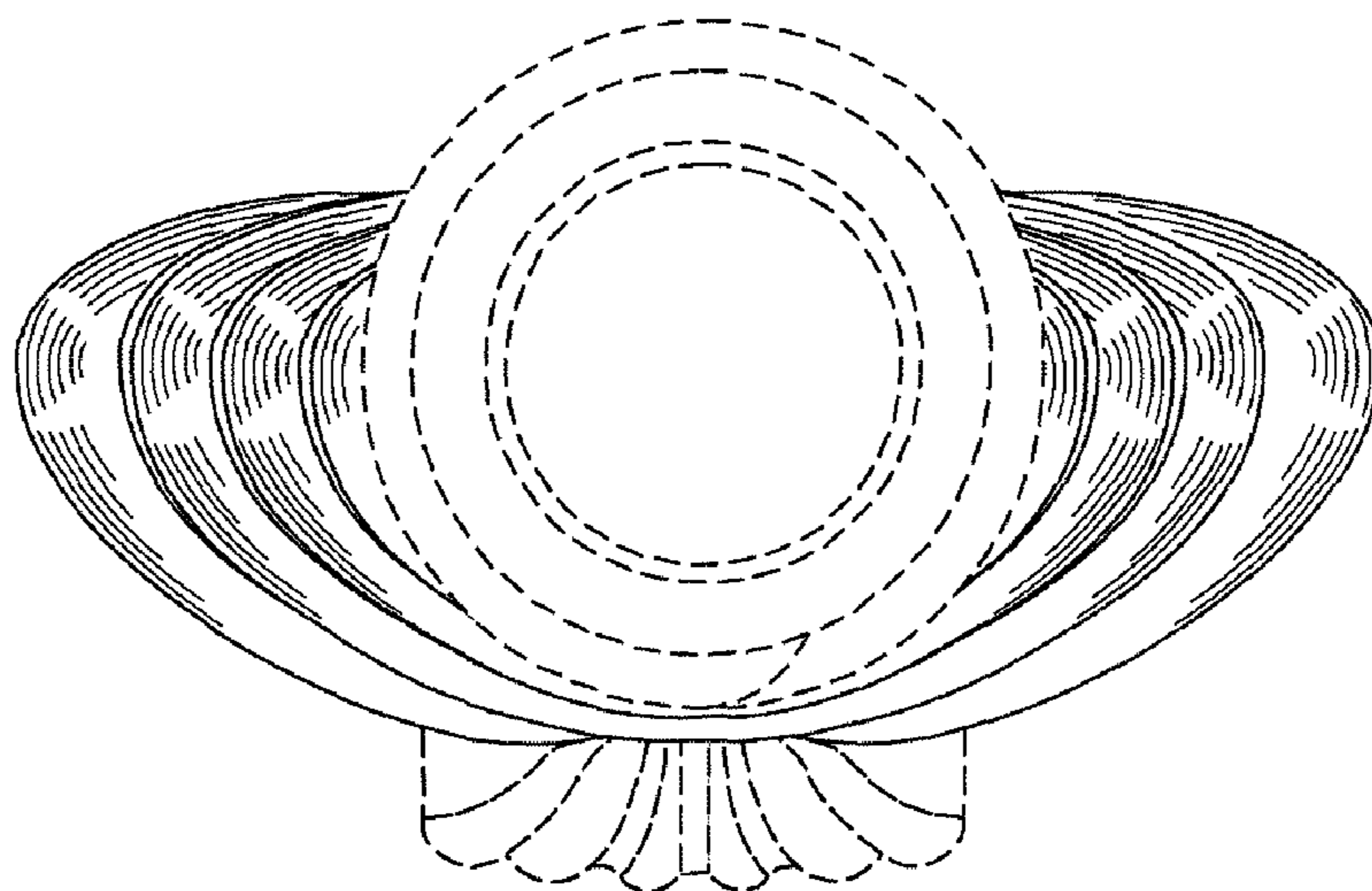
*Fig. 2*



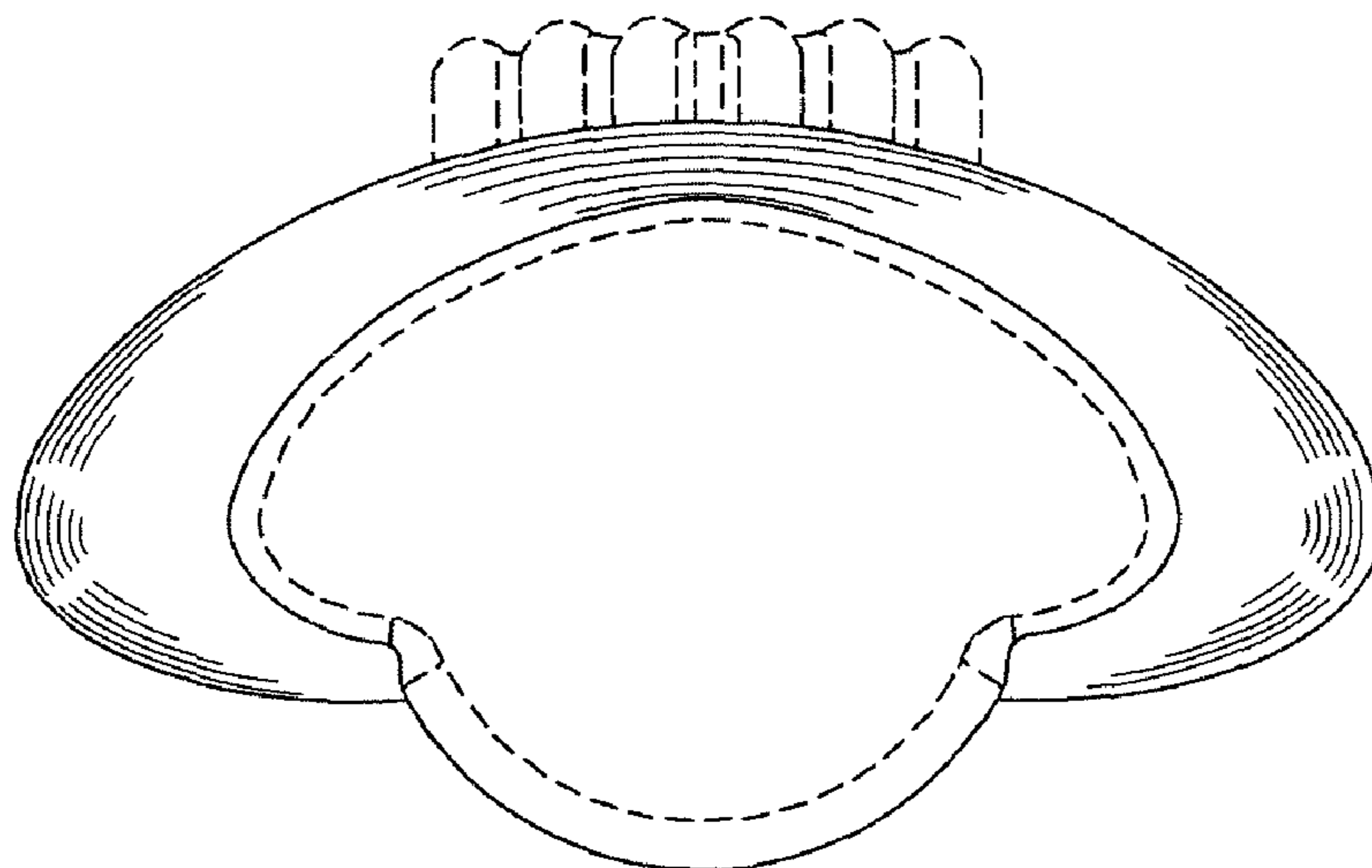
*Fig. 3*



*Fig. 4*



*Fig. 5*



*Fig. 6*