



(12) **United States Design Patent**  
**Hodges et al.**

(10) **Patent No.:** **US D650,680 S**  
(45) **Date of Patent:** **\*\* Dec. 20, 2011**

(54) **PERSONAL CARE BOTTLE**

(75) Inventors: **Jonathan Norman Robert Hodges**, Windsor (GB); **Guohua Pan**, Luwan (CN)

(73) Assignee: **The Gillette Company**, Boston, MA (US)

(\*\*) Term: **14 Years**

(21) Appl. No.: **29/398,683**

(22) Filed: **Aug. 3, 2011**

**Related U.S. Application Data**

(62) Division of application No. 29/377,962, filed on Oct. 28, 2010, now Pat. No. Des. 644,532.

(51) **LOC (9) Cl.** ..... **09-01**

(52) **U.S. Cl.** ..... **D9/521; D9/526; D9/529**

(58) **Field of Classification Search** ..... D9/434, D9/435, 444, 449, 454, 516, 520, 521, 523, D9/524, 526, 529, 549, 562, 575, 748, 749; 215/381-385, 355, 396-398; 220/660, 662, 220/669

See application file for complete search history.

(56) **References Cited**

**U.S. PATENT DOCUMENTS**

739,616 A	9/1903	Oxley
D96,408 S	7/1935	Nester
D103,051 S	2/1937	Higgins
D294,804 S	3/1988	Lunderman et al.
D344,231 S	2/1994	Gagnon
D381,895 S	8/1997	Cheng
D382,197 S	8/1997	Hatzileris
D405,700 S	2/1999	Chae
D419,454 S	1/2000	Kokenge et al.
D480,001 S	9/2003	Bakic
D489,006 S	4/2004	Guerrero Vallejo

D497,314 S	10/2004	Dea	
D499,012 S	11/2004	Illenberger et al.	
D504,070 S	4/2005	Mohary et al.	
D509,898 S	9/2005	Bunce et al.	
D559,117 S	1/2008	Nukuto et al.	
D582,544 S	12/2008	Meziere	
D616,981 S	6/2010	Busca et al.	
D620,588 S	7/2010	Nielsen	
D623,733 S	9/2010	Busca et al.	
D639,660 S *	6/2011	Carreno	D9/504
D644,532 S *	9/2011	Hodges et al.	D9/529

\* cited by examiner

*Primary Examiner* — Stella Reid

*Assistant Examiner* — Keli L Hill

(74) *Attorney, Agent, or Firm* — John M. Lipchitz; Kevin C. Johnson; Steven W. Miller

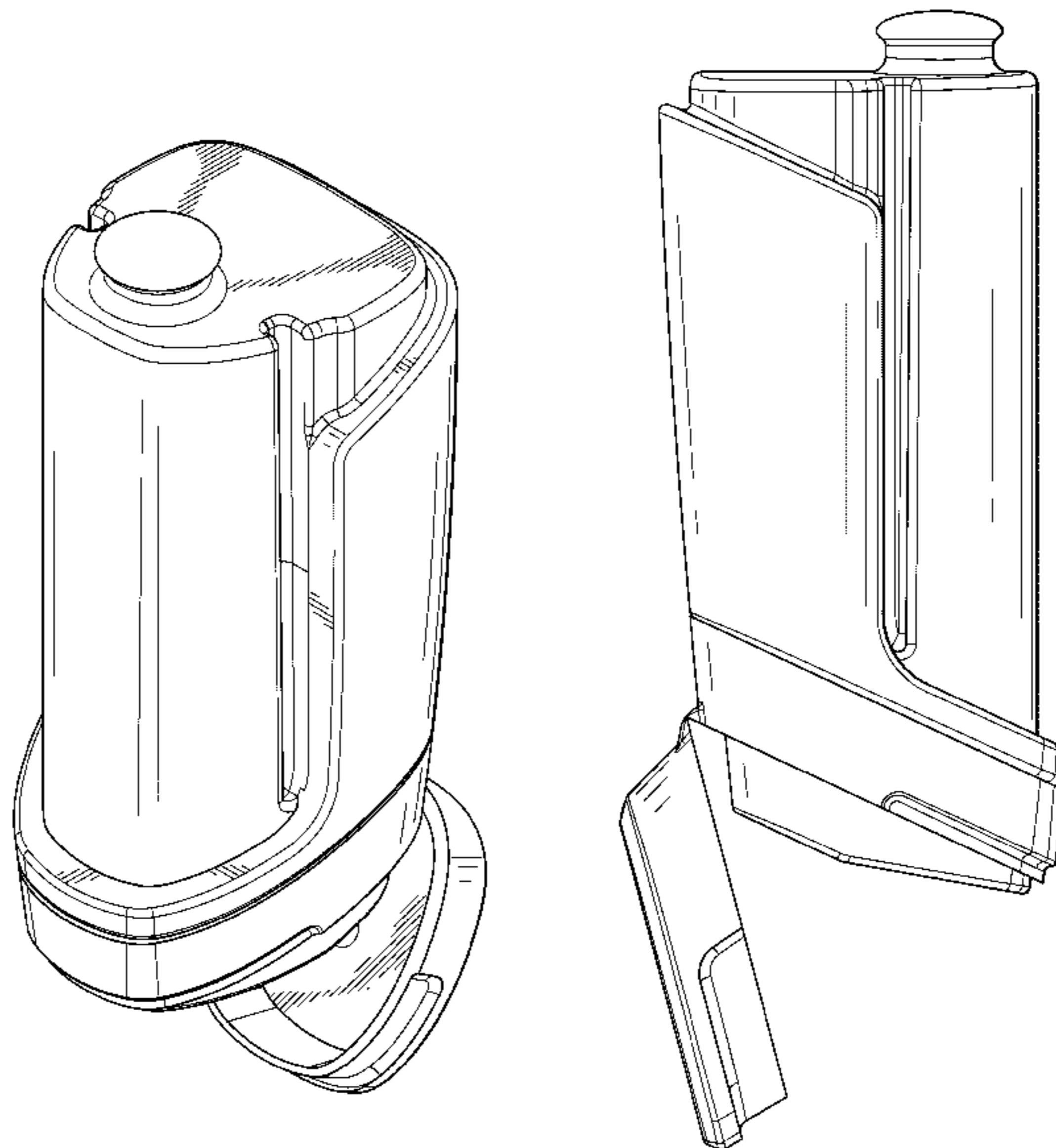
(57) **CLAIM**

The ornamental design for a personal care bottle, as shown and described.

**DESCRIPTION**

FIG. 1 is a perspective view of a personal care bottle of the present invention in an open position; FIG. 2 is a top view thereof; FIG. 3 is a bottom view thereof; FIG. 4 is a right view thereof; FIG. 5 is a left view thereof; FIG. 6 is a rear view thereof; FIG. 7 is a front view thereof; FIG. 8 is a perspective view thereof in a closed position; FIG. 9 is a top view thereof in a closed position; FIG. 10 is a bottom view thereof in a closed position; FIG. 11 is a right view thereof in a closed position; FIG. 12 is a left view thereof in a closed position; FIG. 13 is a rear view thereof in a closed position; and, FIG. 14 is a front view thereof in a closed position.

**1 Claim, 12 Drawing Sheets**



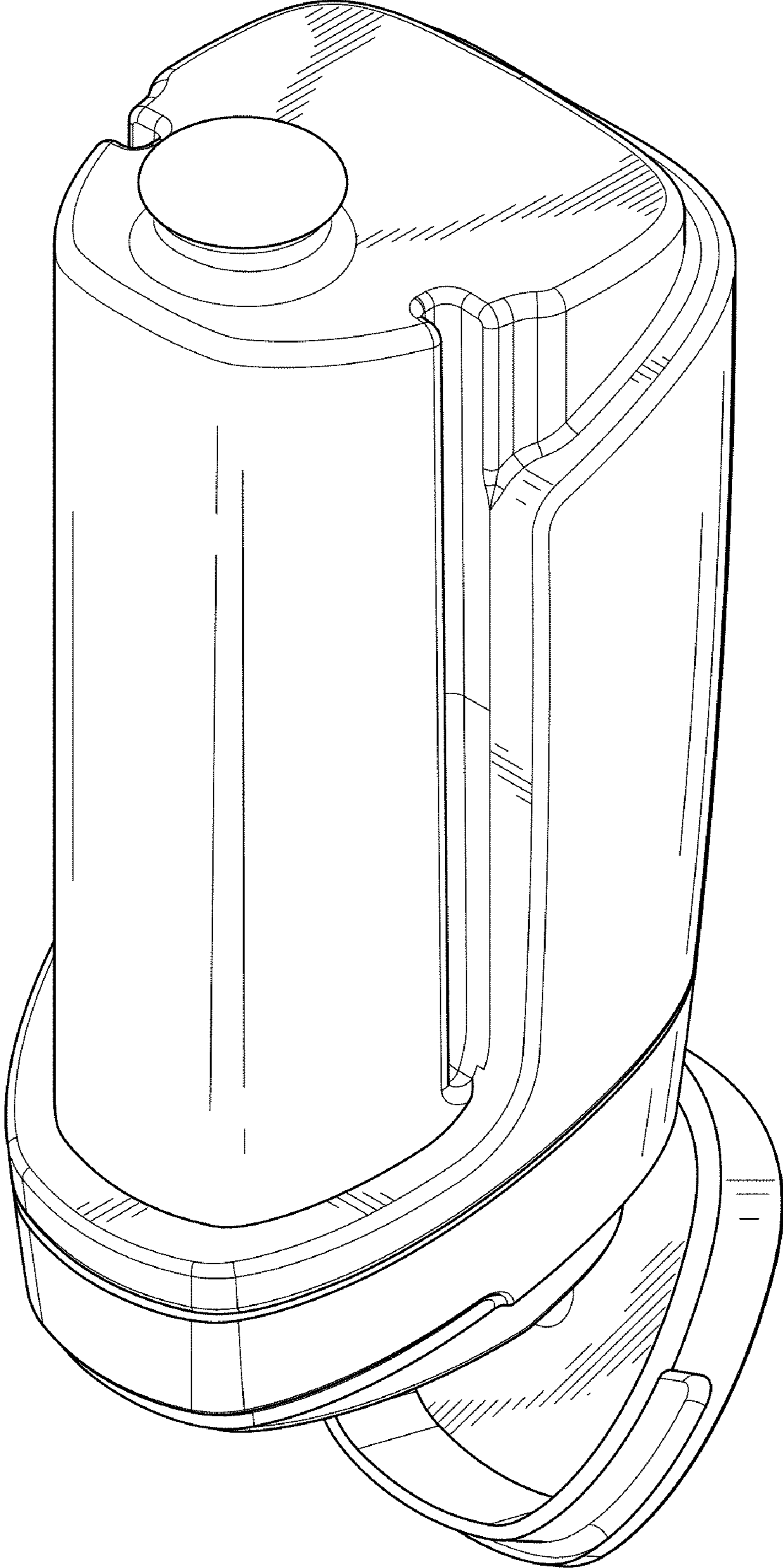


FIG. 1

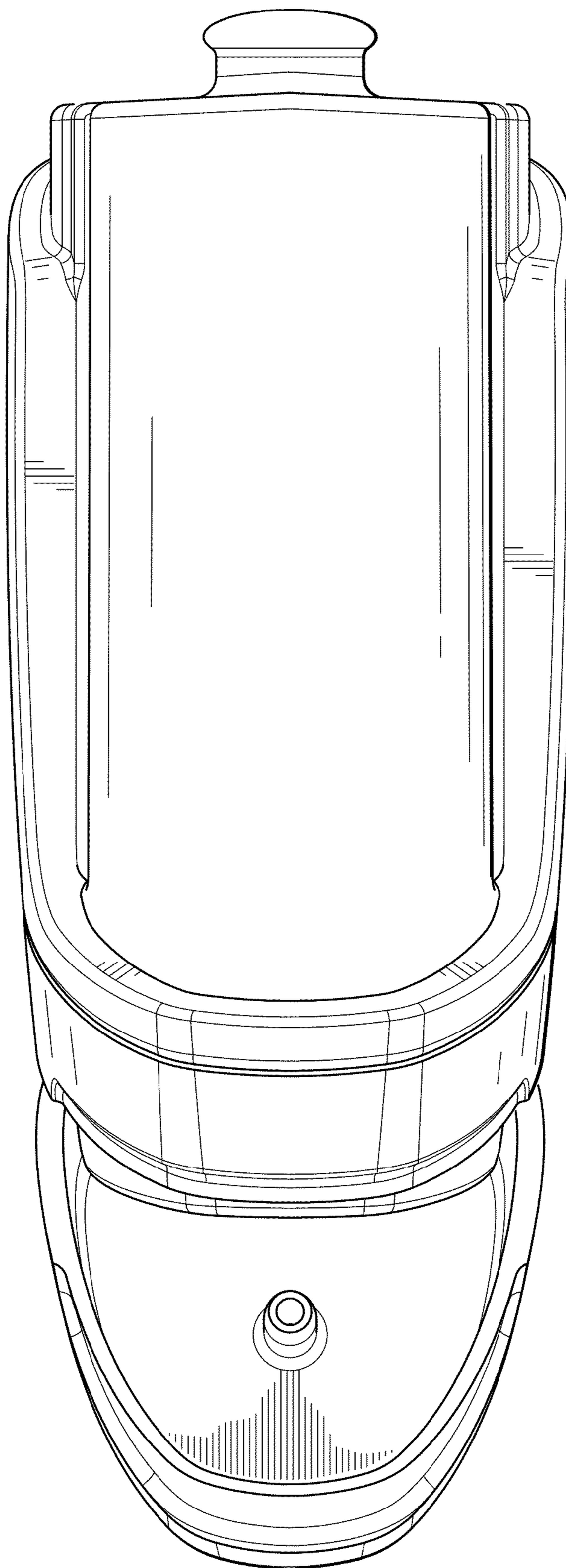


FIG. 2



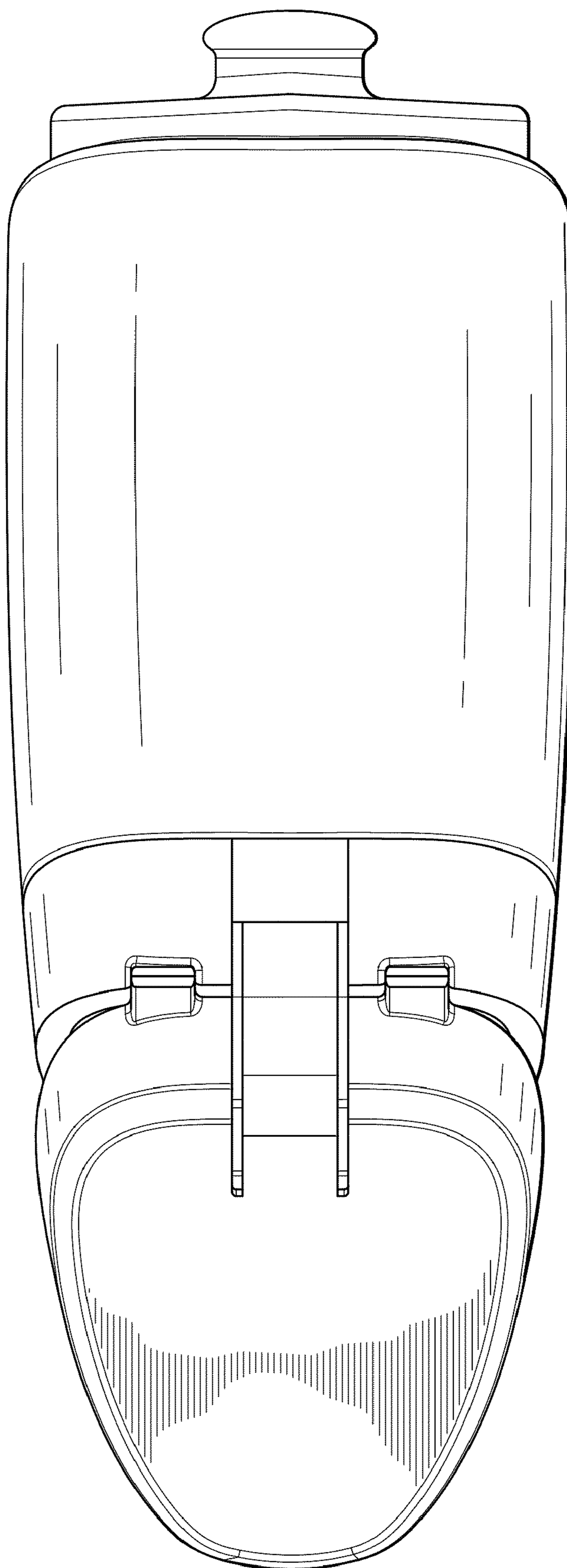


FIG. 3

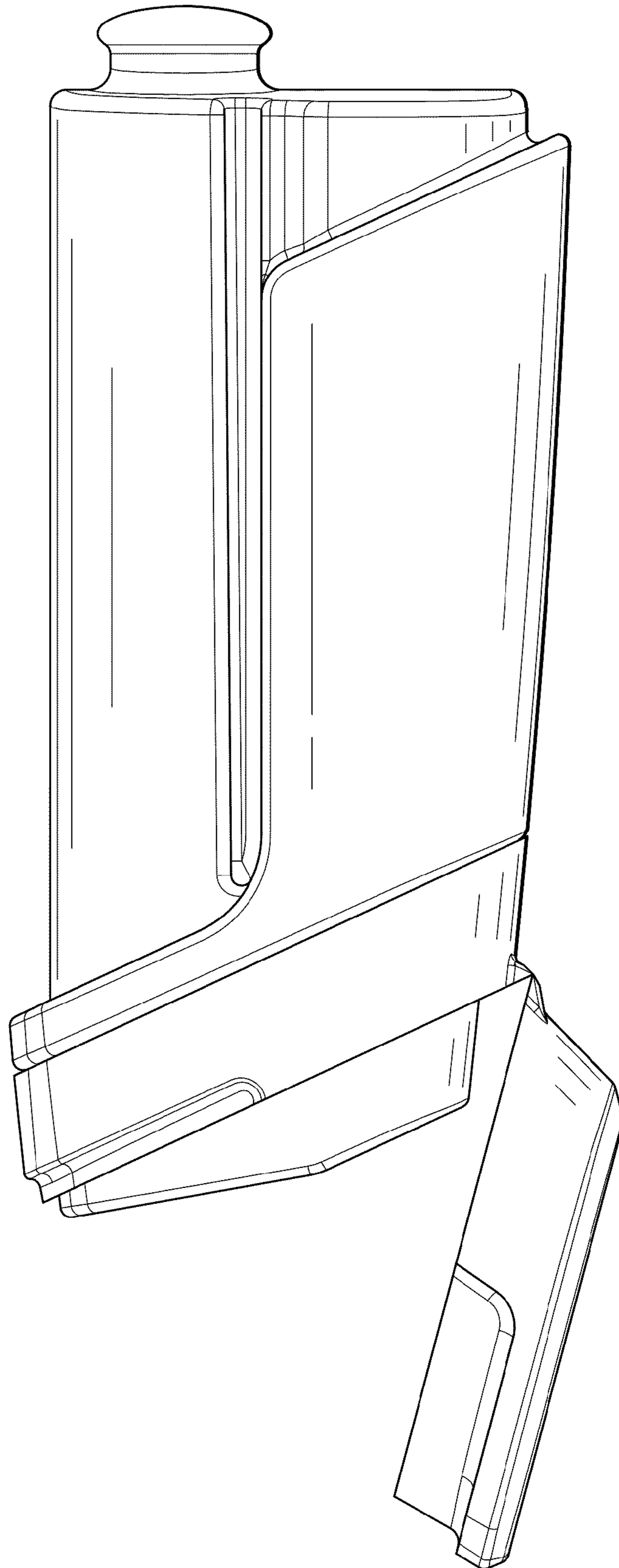


FIG. 4

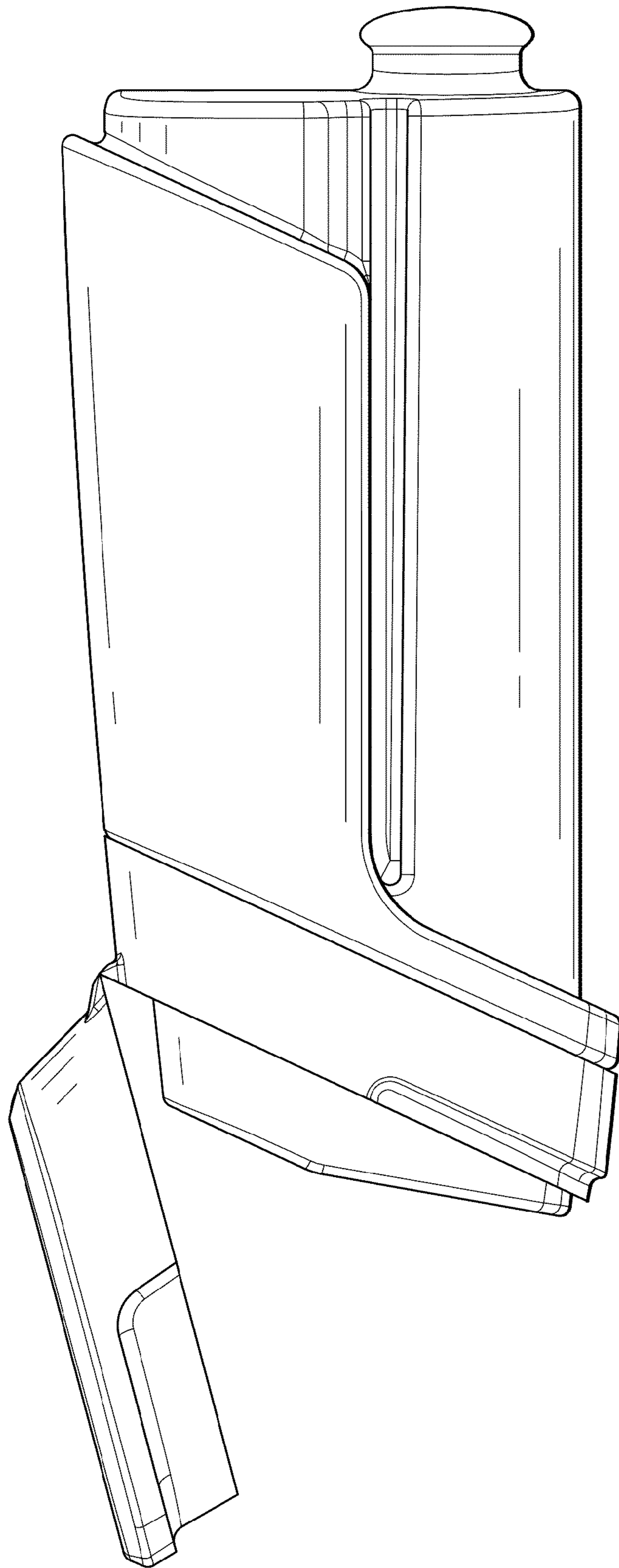


FIG. 5

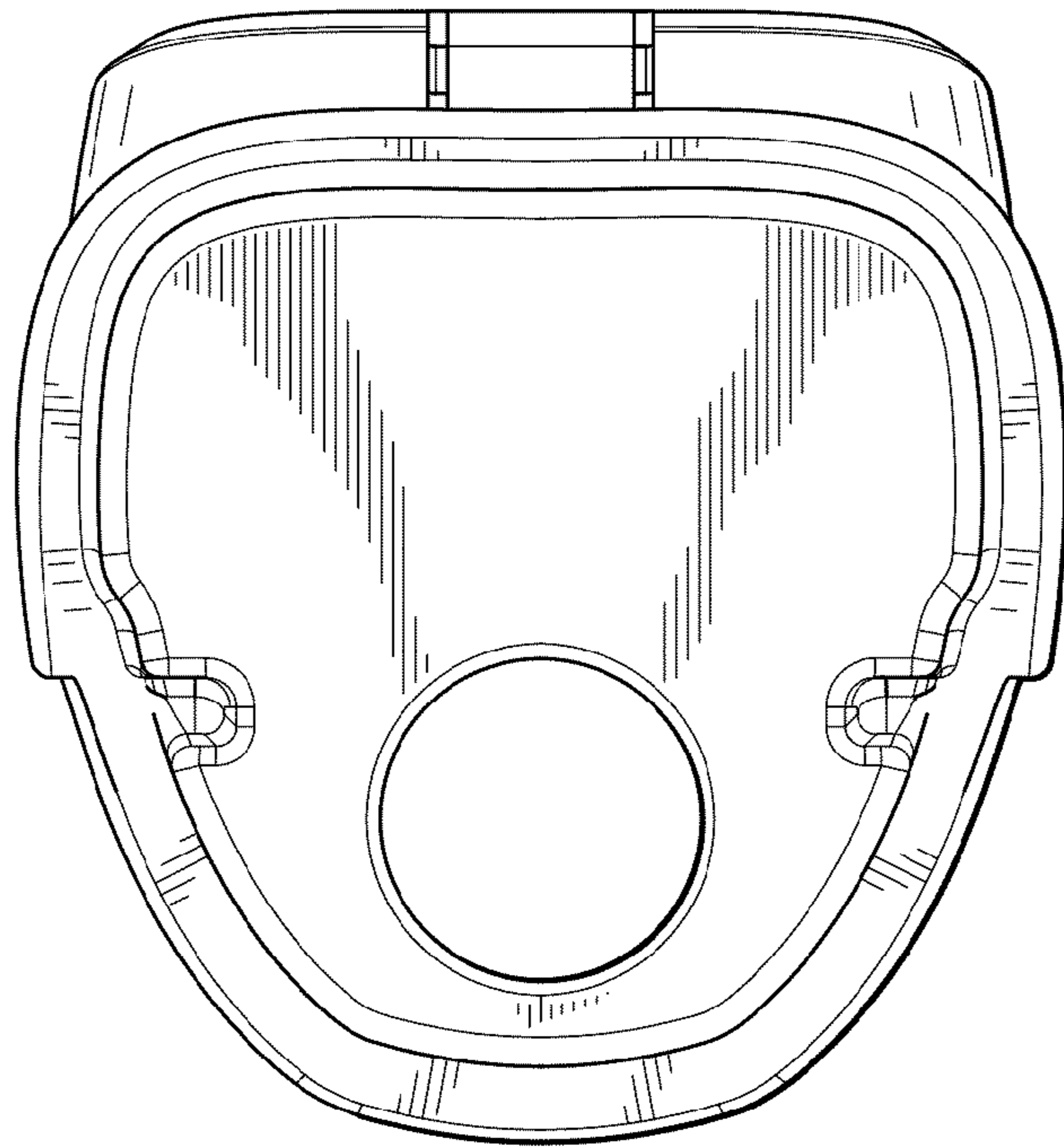


FIG. 6

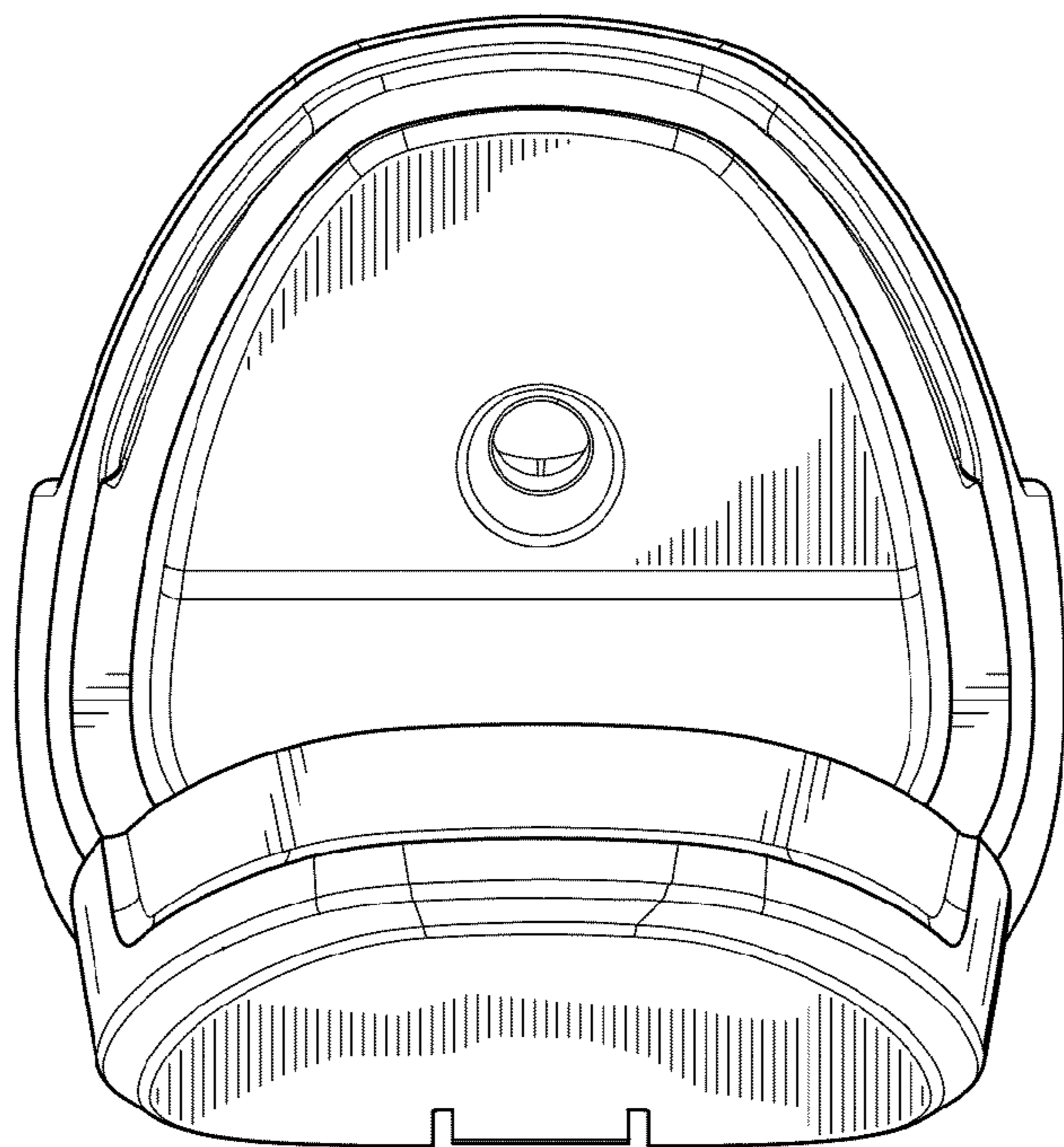


FIG. 7

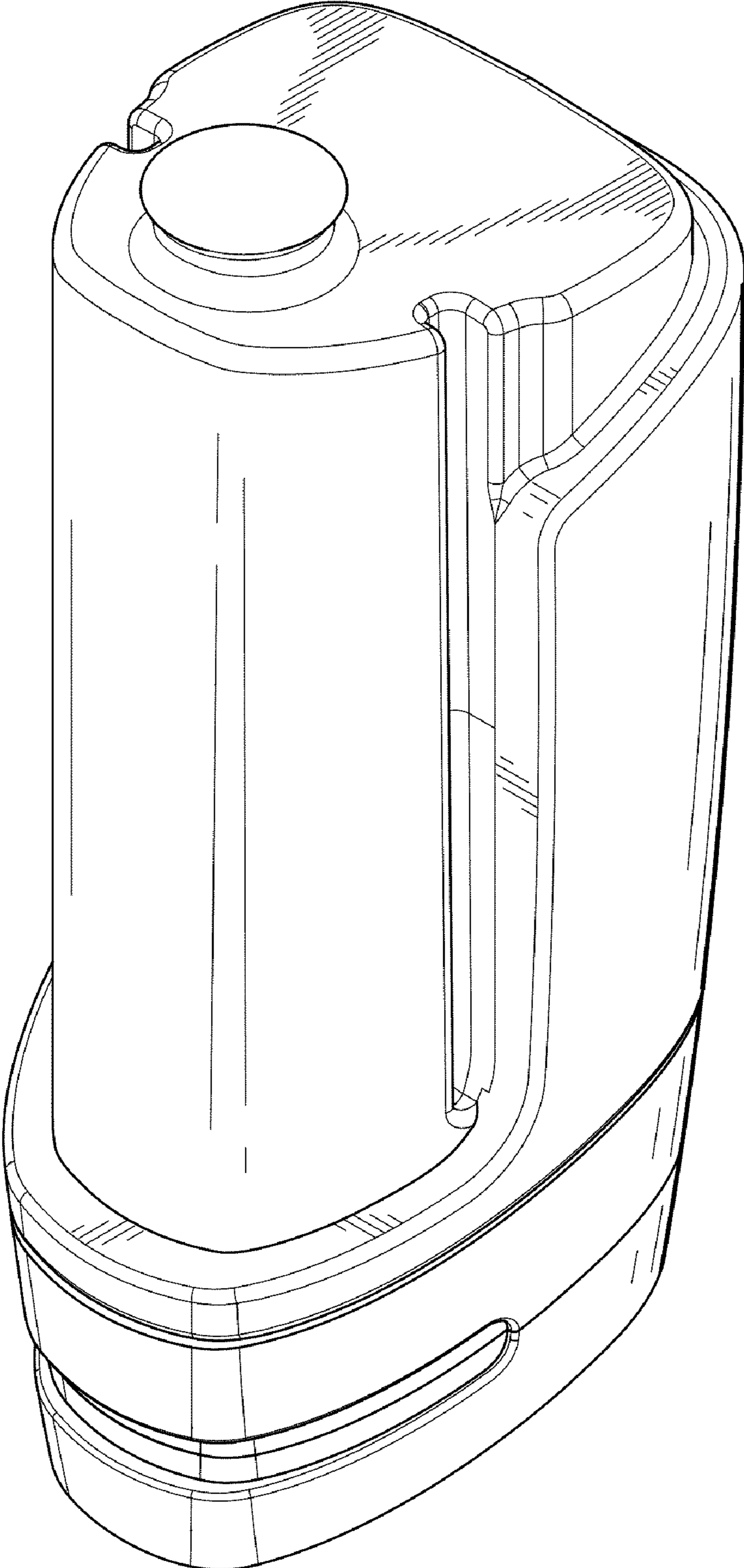


FIG. 8



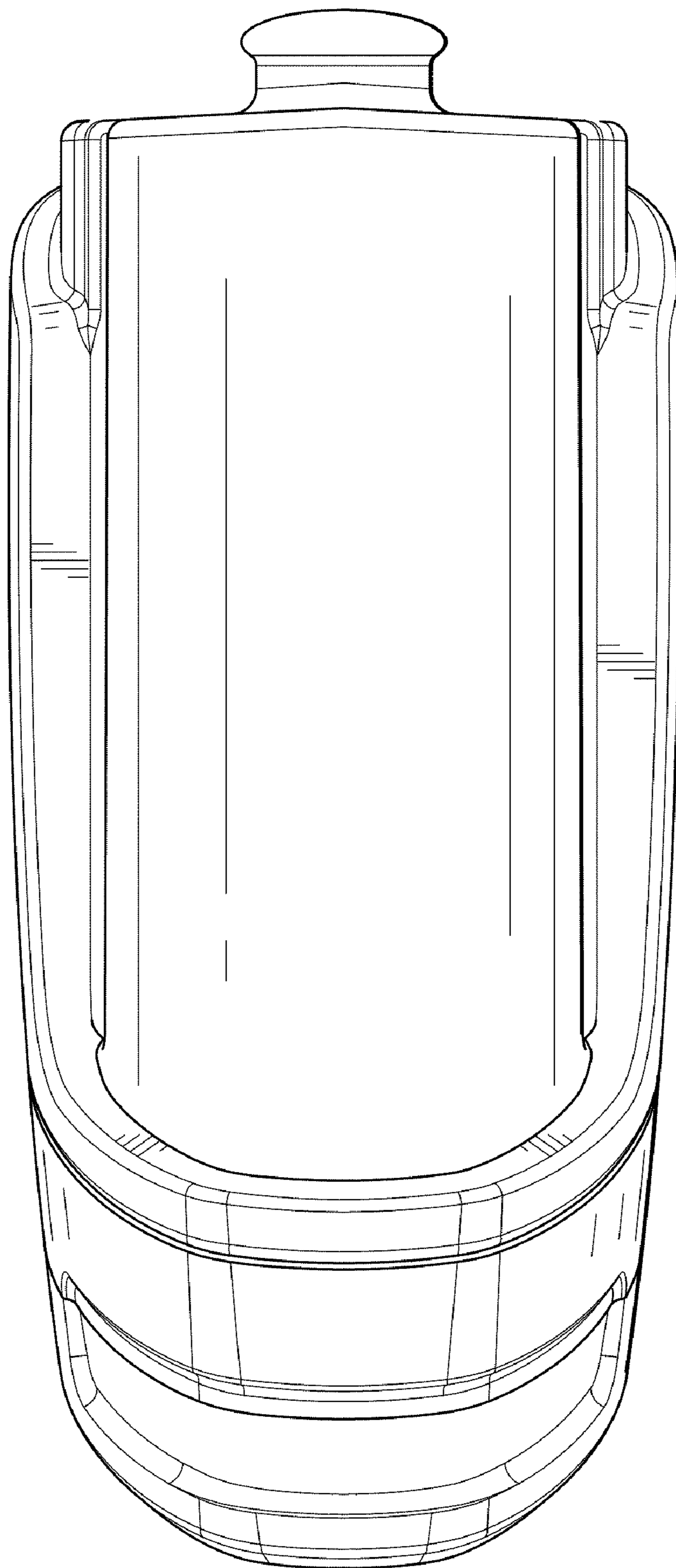


FIG. 9

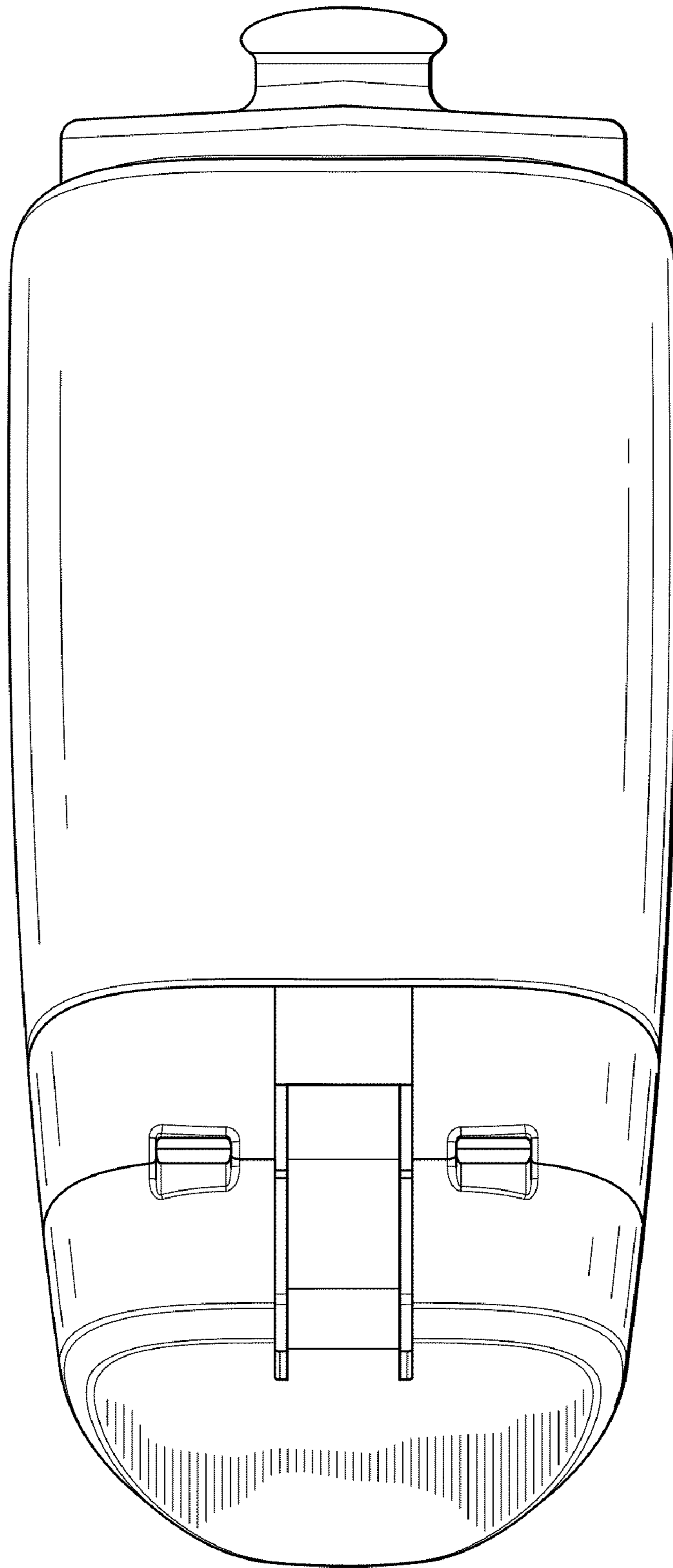


FIG. 10

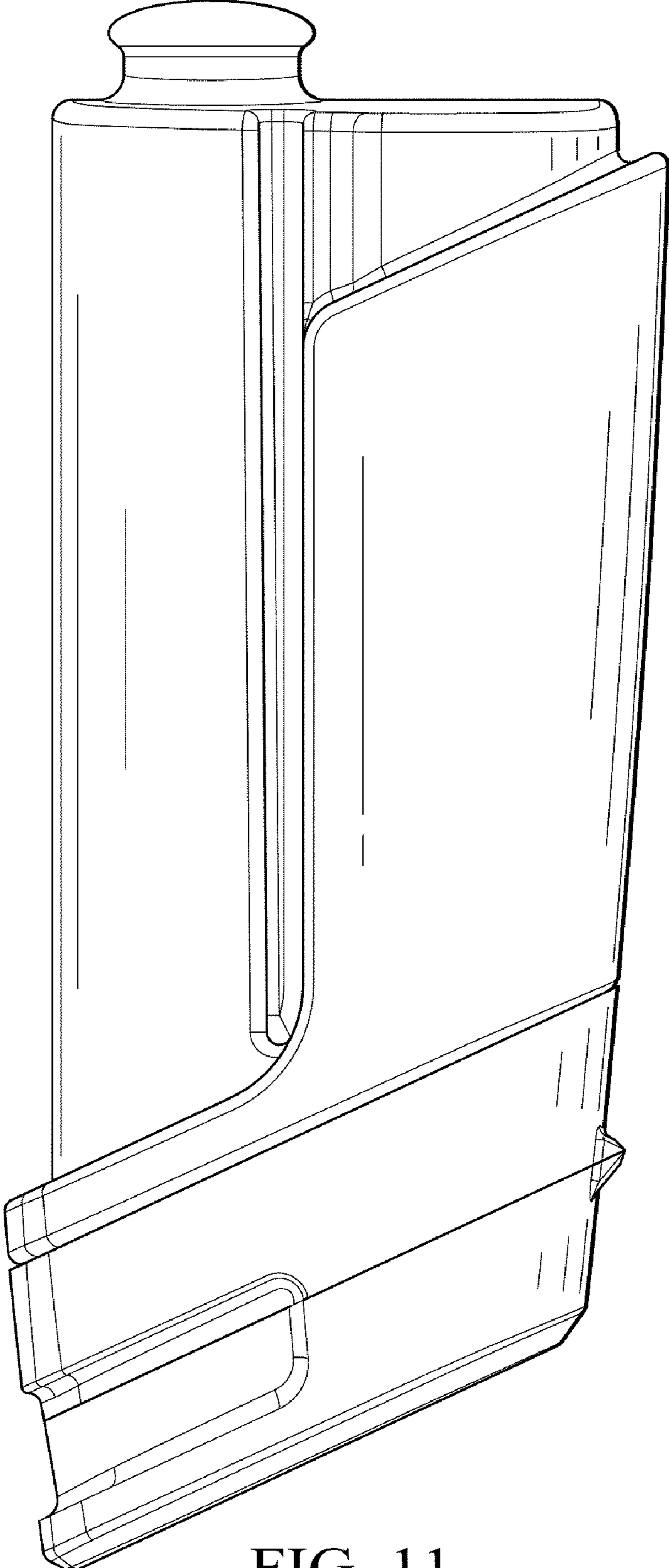


FIG. 11

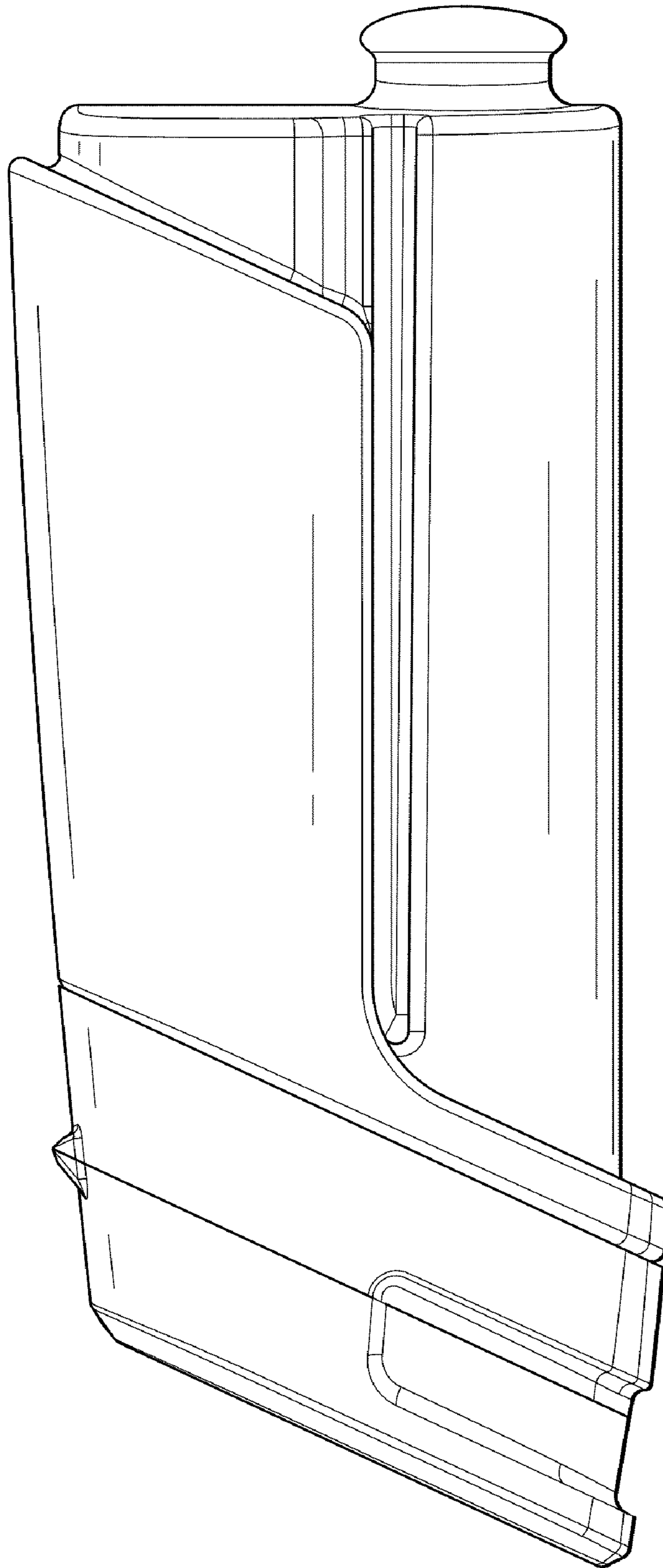


FIG. 12



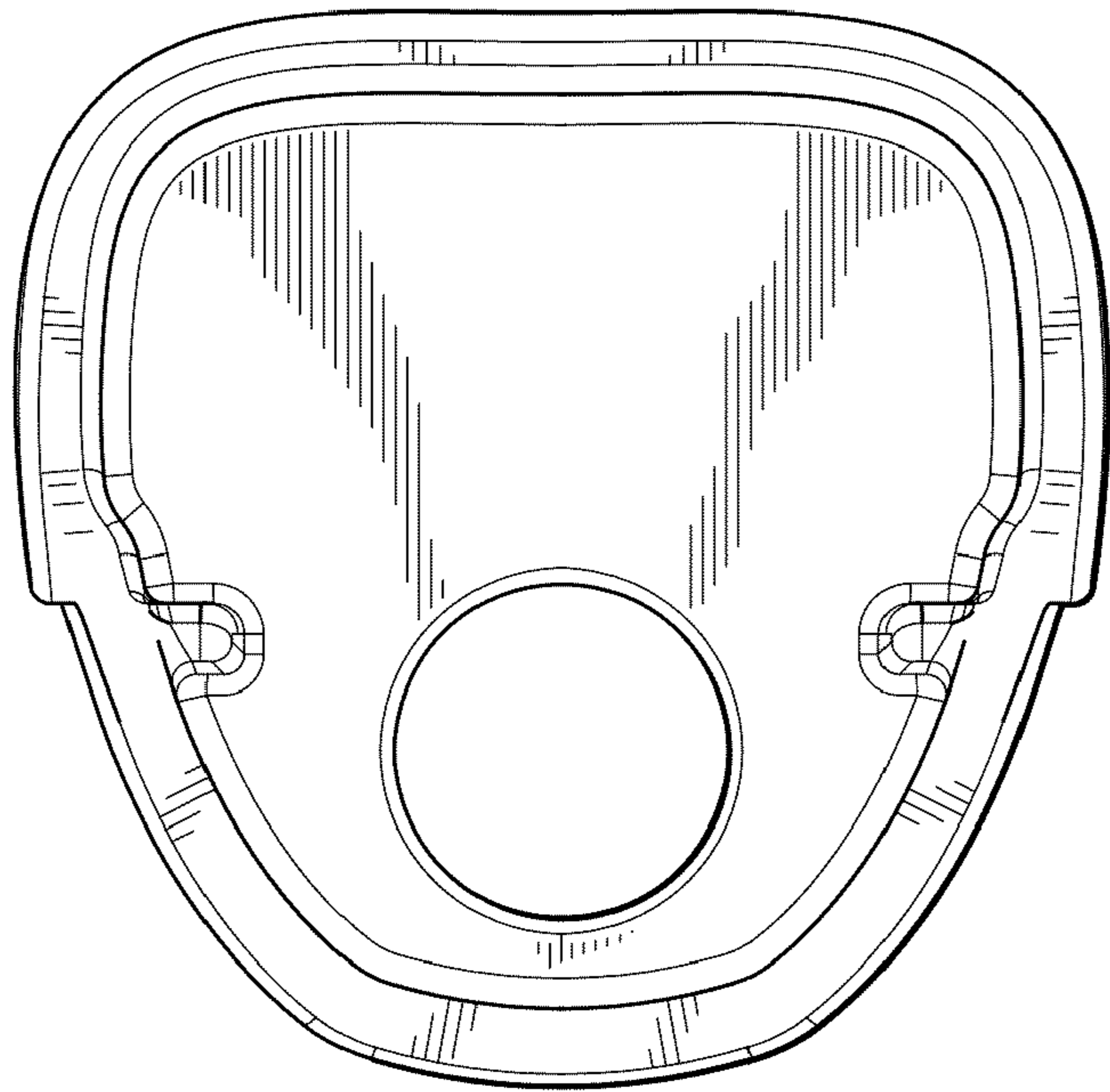


FIG. 13

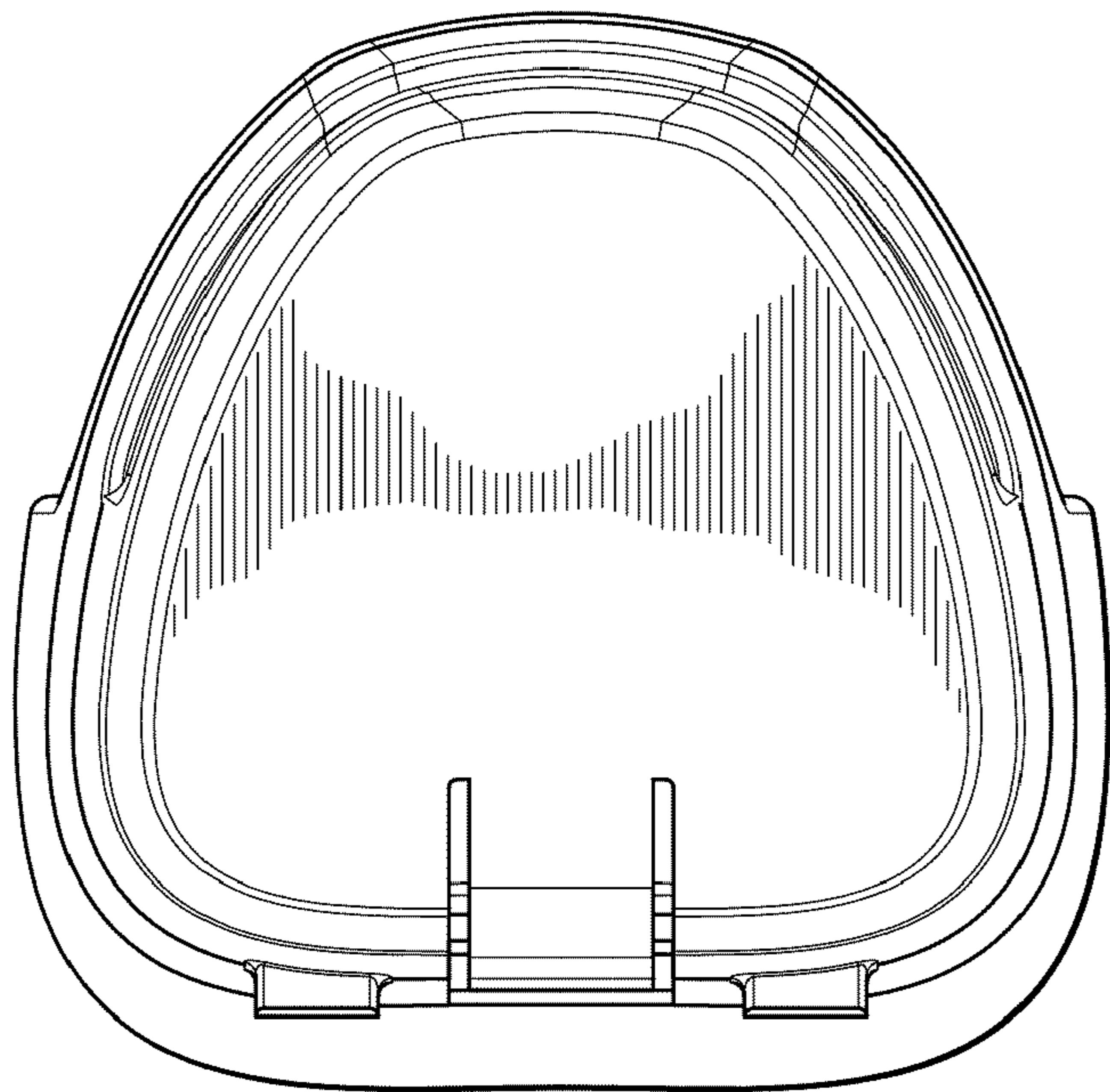


FIG. 14