

US00D650677S

(12) **United States Design Patent**  
**Wurster et al.**

(10) **Patent No.:** **US D650,677 S**

(45) **Date of Patent:** **\*\* Dec. 20, 2011**

(54) **CONTAINER BASE**

(75) Inventors: **Michael P. Wurster**, York, PA (US);  
**Robert Waltemyer**, Felton, PA (US);  
**Justin A. Howell**, New Cumberland, PA  
(US); **Benton A. Lewis**, Manchester, PA  
(US); **Michael T. Kelly**, Manchester, PA  
(US)

(73) Assignee: **Graham Packaging Company, L.P.**,  
York, PA (US)

(\*\*) Term: **14 Years**

(21) Appl. No.: **29/379,000**

(22) Filed: **Nov. 12, 2010**

(51) **LOC (9) Cl.** ..... **09-01**

(52) **U.S. Cl.** ..... **D9/516; D9/520**

(58) **Field of Classification Search** ..... D9/516,  
D9/520, 530, 537-543, 549-550, 556-560,  
D9/563, 569-575; 215/370-373, 376; 220/600,  
220/602, 604-606, 608-609

See application file for complete search history.

(56) **References Cited**

**U.S. PATENT DOCUMENTS**

4,035,455	A	7/1977	Rosenkranz et al.	
4,177,239	A	12/1979	Gittner et al.	
4,318,882	A	3/1982	Agrawal et al.	
4,465,199	A	8/1984	Aoki	
4,585,158	A	4/1986	Wardlaw, III	
D306,262	S *	2/1990	Bit	D9/502
D416,198	S *	11/1999	Lindsay et al.	D9/520

5,989,661	A	11/1999	Krishnakumar et al.	
6,113,377	A	9/2000	Clark	
6,277,321	B1	8/2001	Vaillencourt et al.	
6,595,380	B2	7/2003	Silvers	
6,942,116	B2	9/2005	Lisch et al.	
7,150,372	B2	12/2006	Lisch et al.	
D547,660	S *	7/2007	Lepoitevin	D9/516
D548,083	S *	8/2007	Bourne	D9/502
D548,092	S *	8/2007	Klemm	D9/520
D551,559	S *	9/2007	Lepoitevin	D9/555
D560,506	S *	1/2008	Lepoitevin et al.	D9/607
D570,217	S *	6/2008	Meillerais	D9/502
D583,245	S *	12/2008	Lepoitevin	D9/538
D587,595	S *	3/2009	Schuemann	D9/631
2007/0084821	A1	4/2007	Bysick et al.	

\* cited by examiner

*Primary Examiner* — Ian Simmons

*Assistant Examiner* — Dana L Sipos

(74) *Attorney, Agent, or Firm* — Knoble Yoshida & Dunleavy, LLC

(57) **CLAIM**

The ornamental design for a “container base,” as shown and described.

**DESCRIPTION**

FIG. 1 is a bottom perspective view of a container base showing our new design;

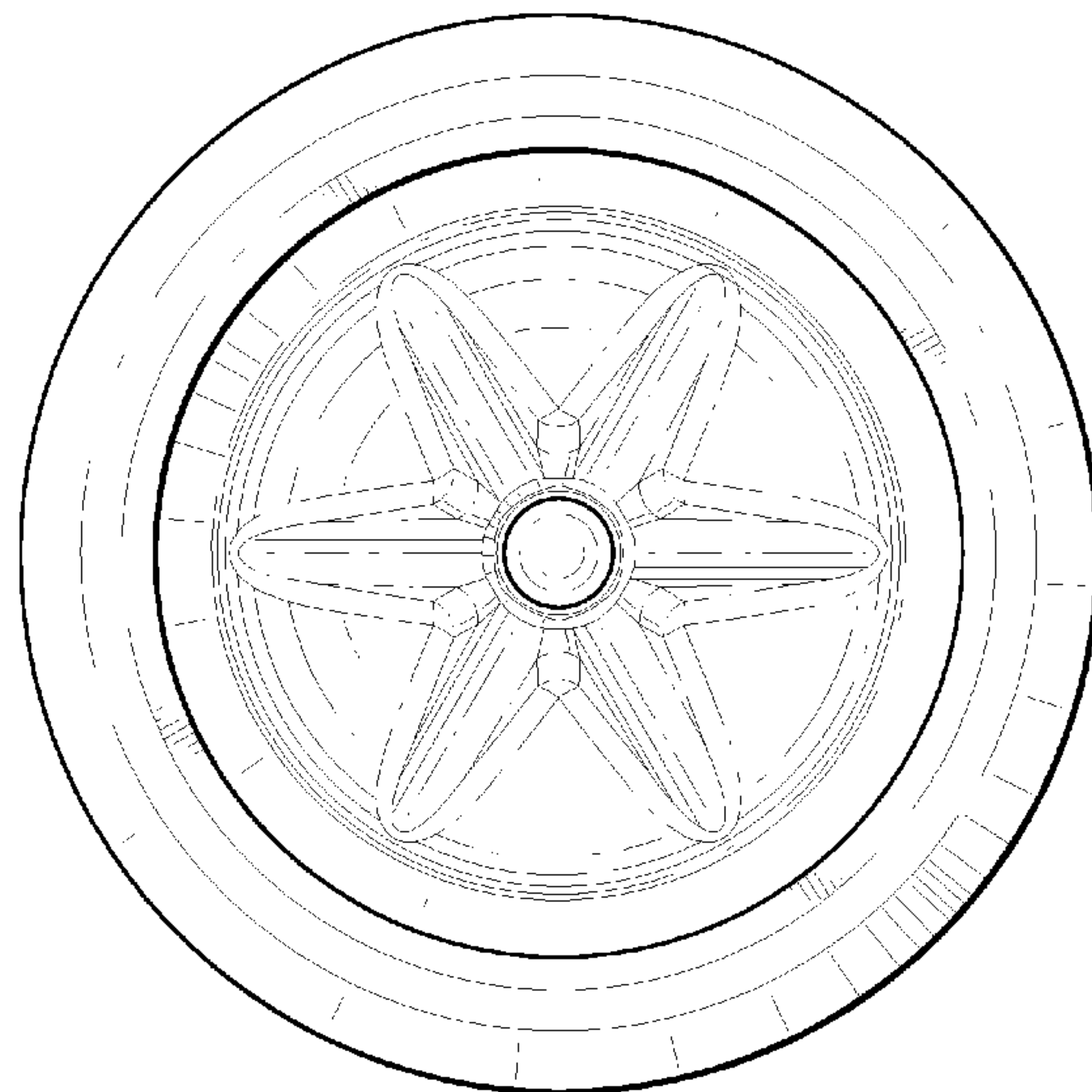
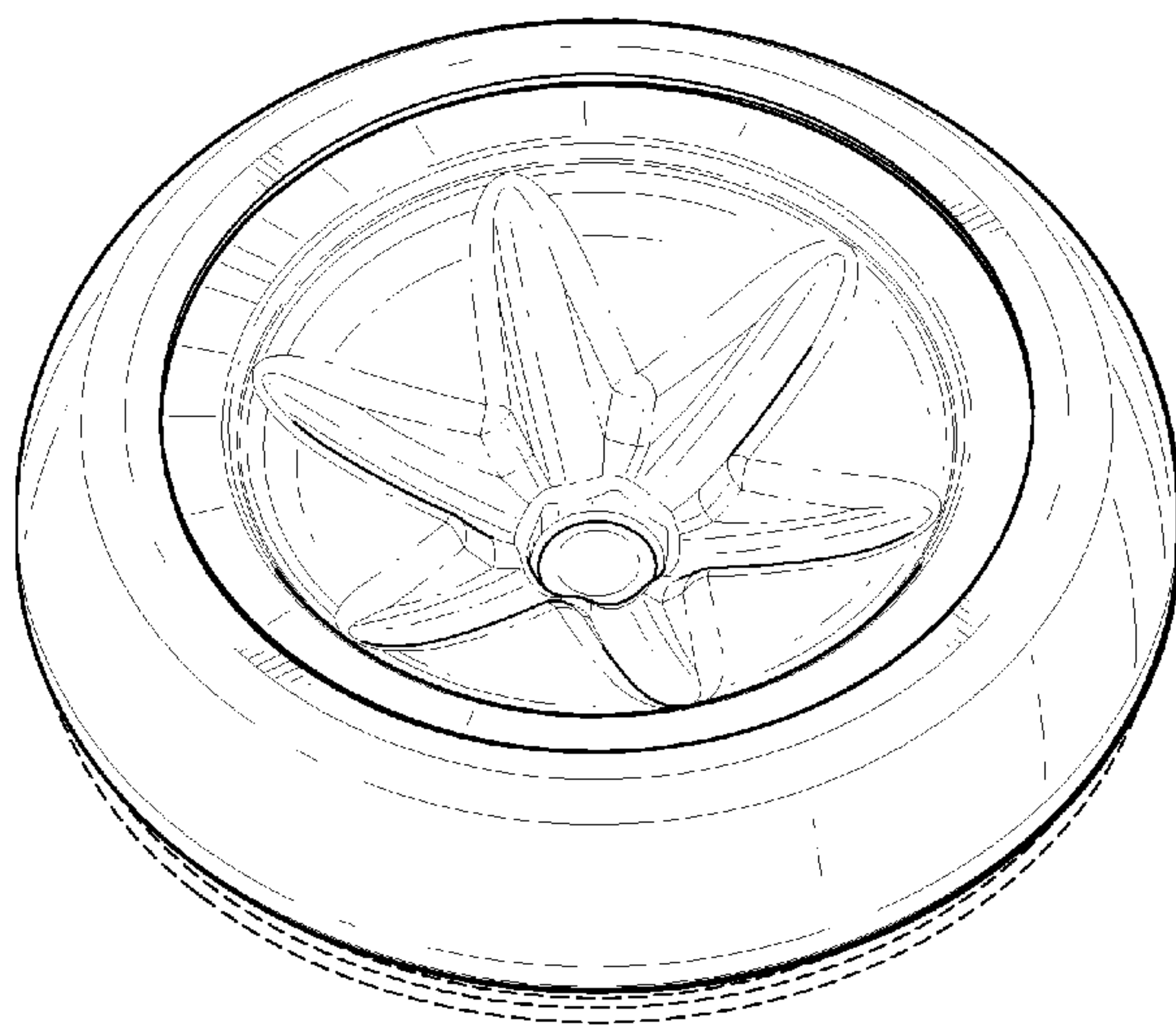
FIG. 2 is a bottom plan view thereof;

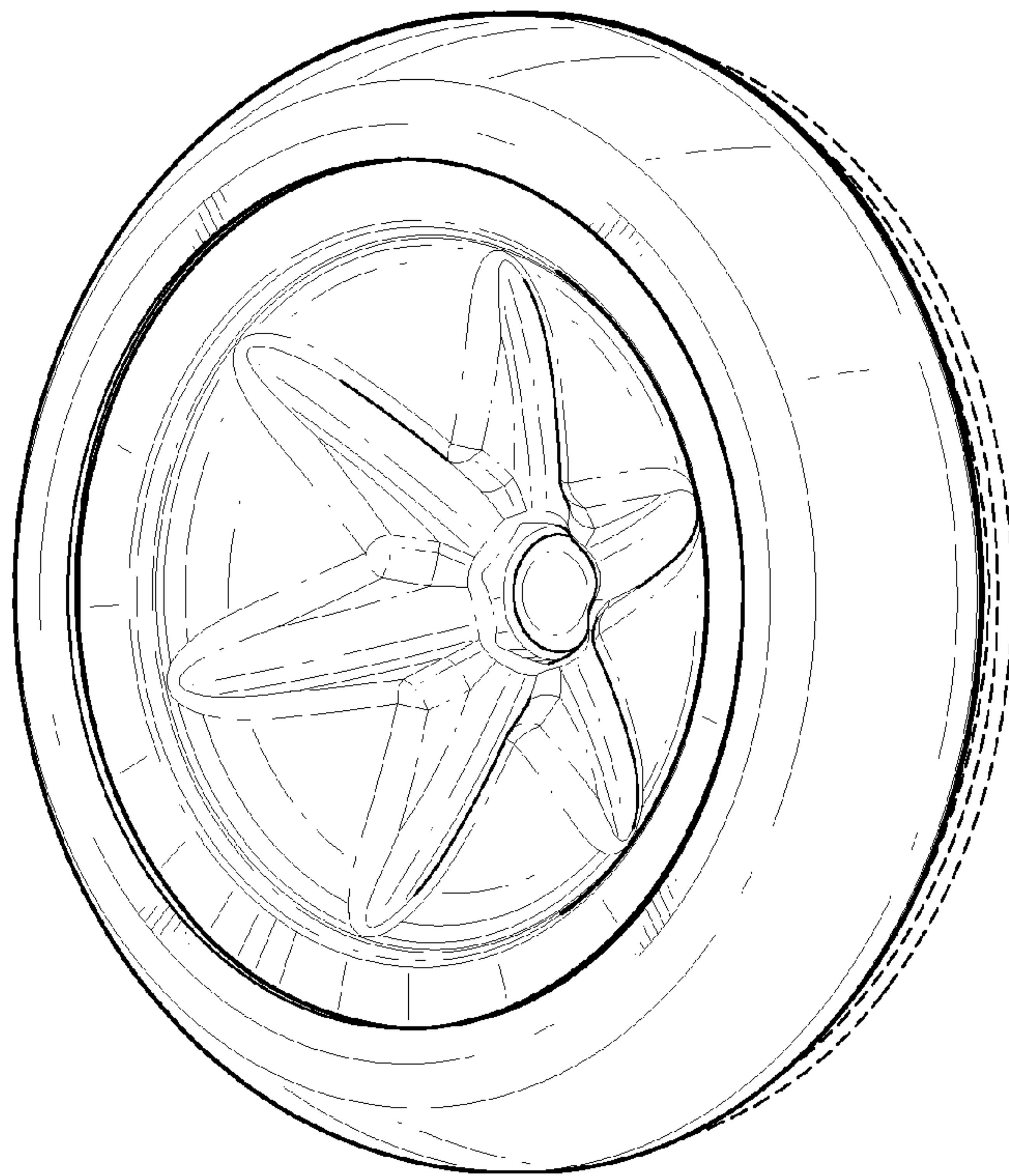
FIG. 3 is a top plan view thereof; and,

FIG. 4 is a side elevation view.

Any broken lines in the drawings depict probable environment only and form no part of the claimed design.

**1 Claim, 2 Drawing Sheets**





*FIG. 1*

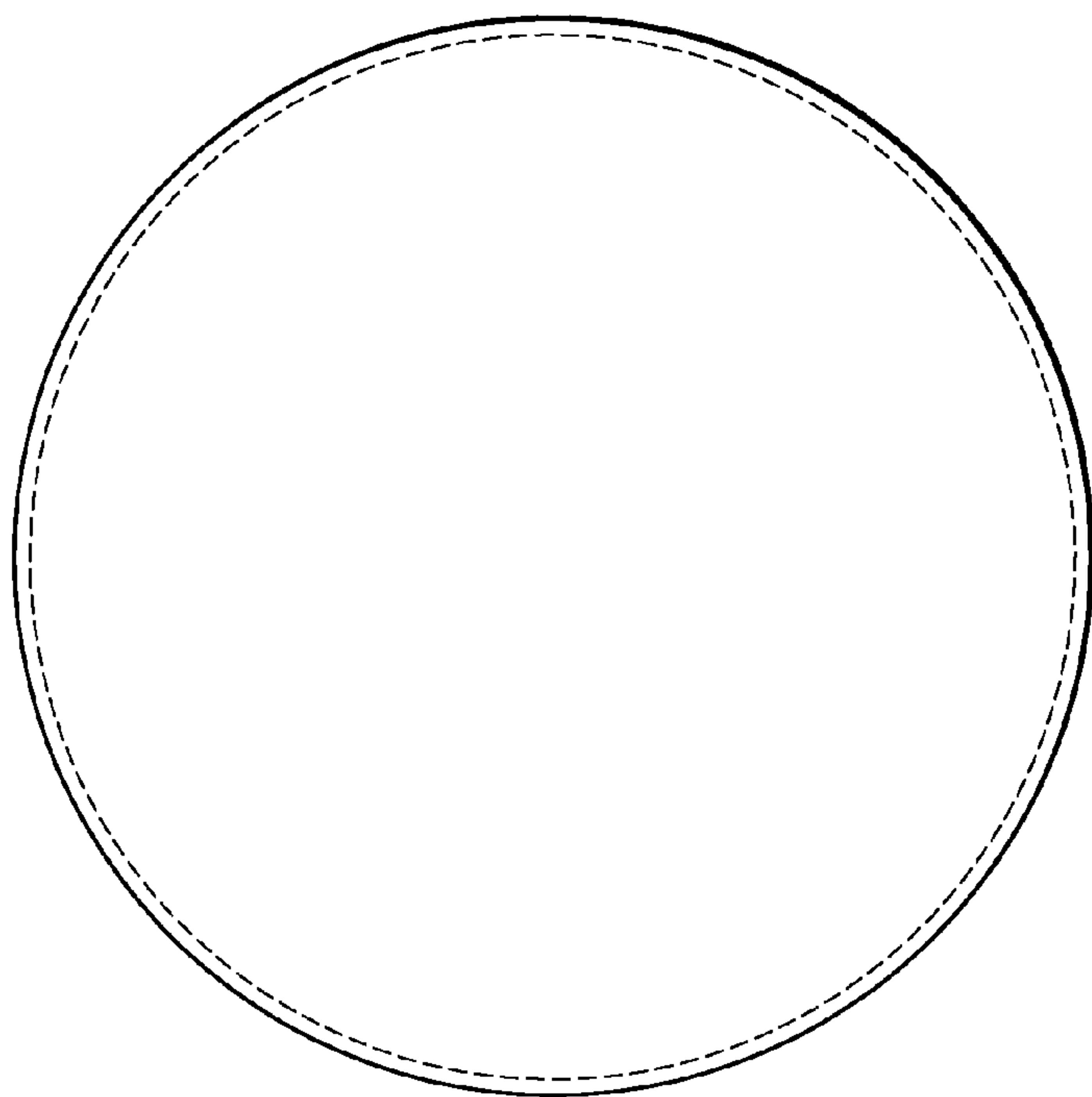


FIG. 2

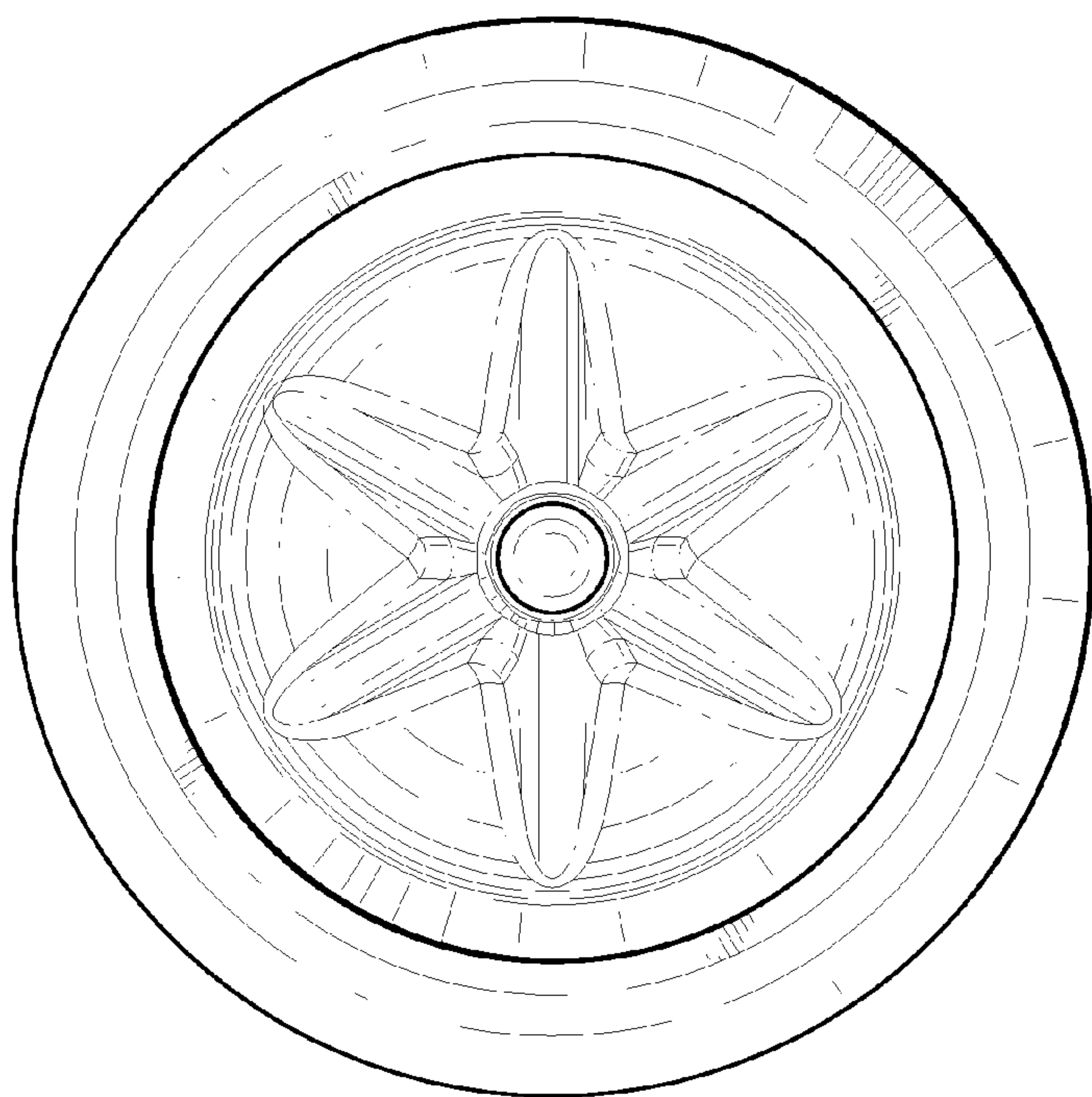


FIG. 3

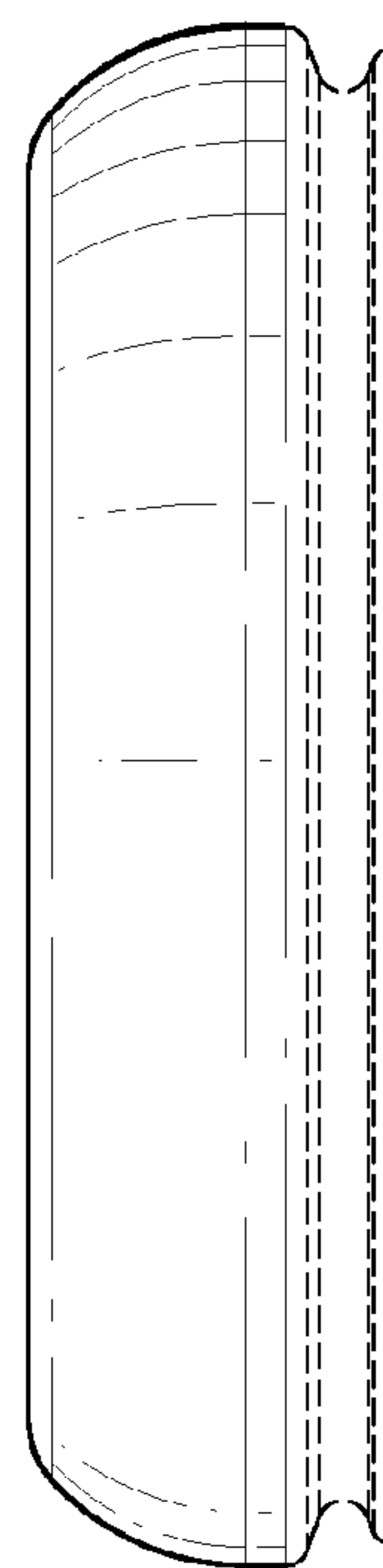


FIG. 4