



US00D650666S

(12) **United States Design Patent**  
**Daley et al.**

(10) **Patent No.:** **US D650,666 S**

(45) **Date of Patent:** **\*\* Dec. 20, 2011**

(54) **CONTAINER AND BLANK FOR FORMING SAME**

(75) Inventors: **Todd Anthony Daley**, Burra (AU);  
**Wayne Keith Summers**, Werribee (AU);  
**Colin Coles**, Mernda (AU)

(73) Assignee: **Visy R & D Pty Ltd**, Southbank,  
Victoria (AU)

(\*\*) Term: **14 Years**

(21) Appl. No.: **29/363,899**

(22) Filed: **Jun. 16, 2010**

(30) **Foreign Application Priority Data**

Dec. 16, 2009 (AU) ..... 14904/2009

(51) **LOC (9) Cl.** ..... **09-03**

(52) **U.S. Cl.** ..... **D9/433**

(58) **Field of Classification Search** ..... D9/430-433,  
D9/414, 418, 420-424, 721, 456; D3/272;  
206/267, 269, 270, 273, 299, 737, 740, 822;  
229/100, 101, 101.3, 106, 108-112, 114-117,  
229/117.05-117.09, 117.24-117.26, 143,  
229/169, 190, 221, 222, 227, 902, 939, 941,  
229/942; 119/168

See application file for complete search history.

(56) **References Cited**

**U.S. PATENT DOCUMENTS**

1,177,410 A \* 3/1916 Hatfield ..... 229/190  
1,708,596 A \* 4/1929 Sprague ..... 229/122.32  
2,073,272 A \* 3/1937 Wellman ..... 229/125.26  
2,373,730 A \* 4/1945 Williamson et al. .... 229/125.26  
3,684,155 A \* 8/1972 Smith ..... 229/117.07  
3,945,561 A \* 3/1976 Strebelle ..... 229/117.06

4,192,445 A \* 3/1980 Card ..... 229/169  
4,441,451 A \* 4/1984 Neal ..... 119/168  
4,648,549 A \* 3/1987 Trutna ..... 229/143  
5,050,794 A \* 9/1991 Wischusen, III ..... 229/125.26  
D423,359 S \* 4/2000 MacLean et al. .... D9/456  
D553,495 S \* 10/2007 Vandecasteele et al. .... D9/432  
2006/0186185 A1 \* 8/2006 Covelli ..... 229/122

\* cited by examiner

*Primary Examiner* — Thomas Johannes

(74) *Attorney, Agent, or Firm* — Rothwell, Figg, Ernst & Manbeck, P.C.

(57) **CLAIM**

The ornamental design for a container and blank for forming same, as shown and described.

**DESCRIPTION**

FIG. 1 is a top plan view of a container and blank for forming the same showing our new design in its blank, unassembled condition, the bottom plan view being a mirror image thereto; FIG. 2 is an end elevation view thereof, the opposite end being identical thereto;

FIG. 3 is a side elevation view thereof, the opposite side being identical thereto;

FIG. 4 is a top perspective view of a container and blank for forming the same showing the fully assembled design;

FIG. 5 is an opposite top perspective view thereof;

FIG. 6 is a bottom perspective view thereof;

FIG. 7 is a top plan view thereof;

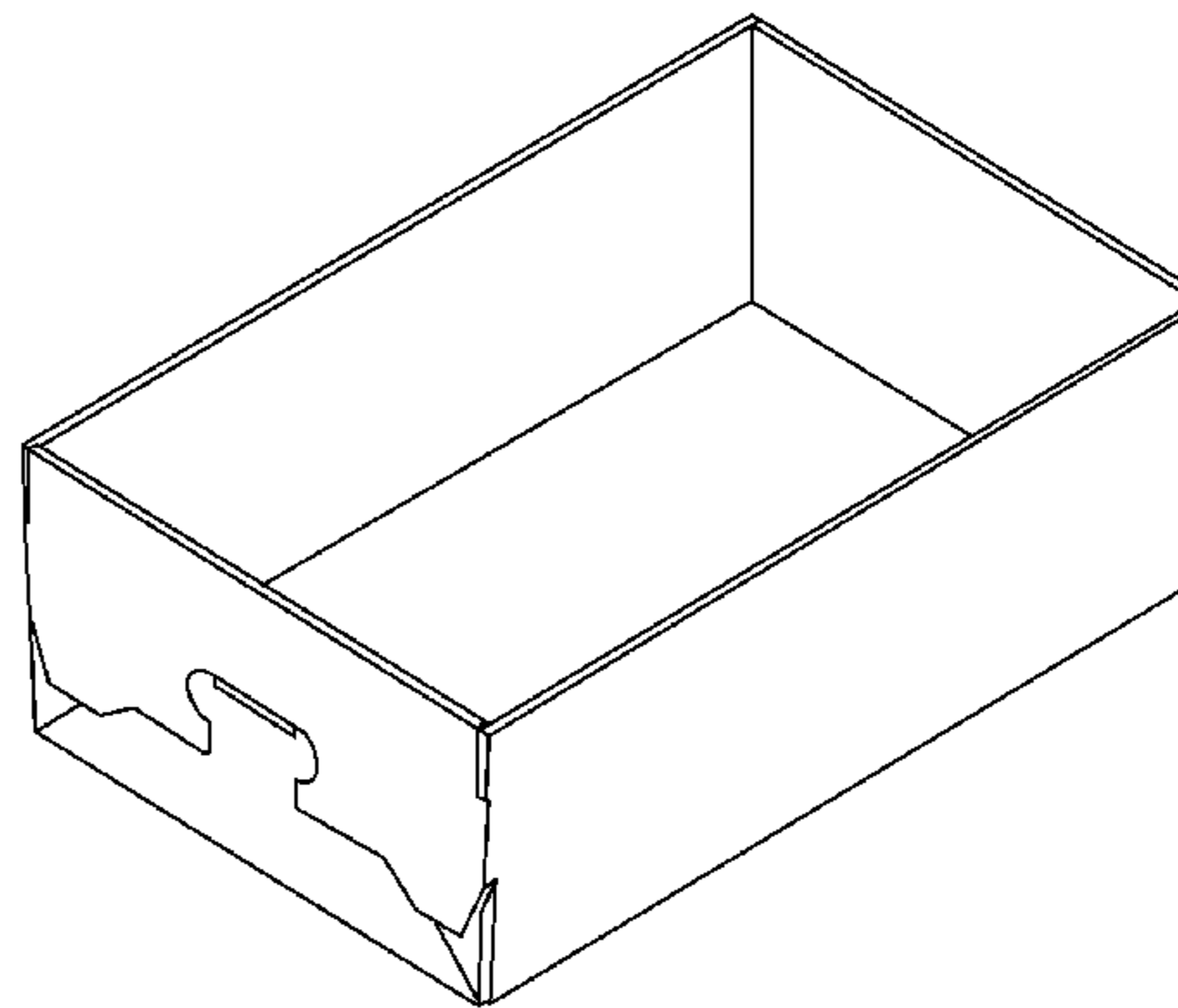
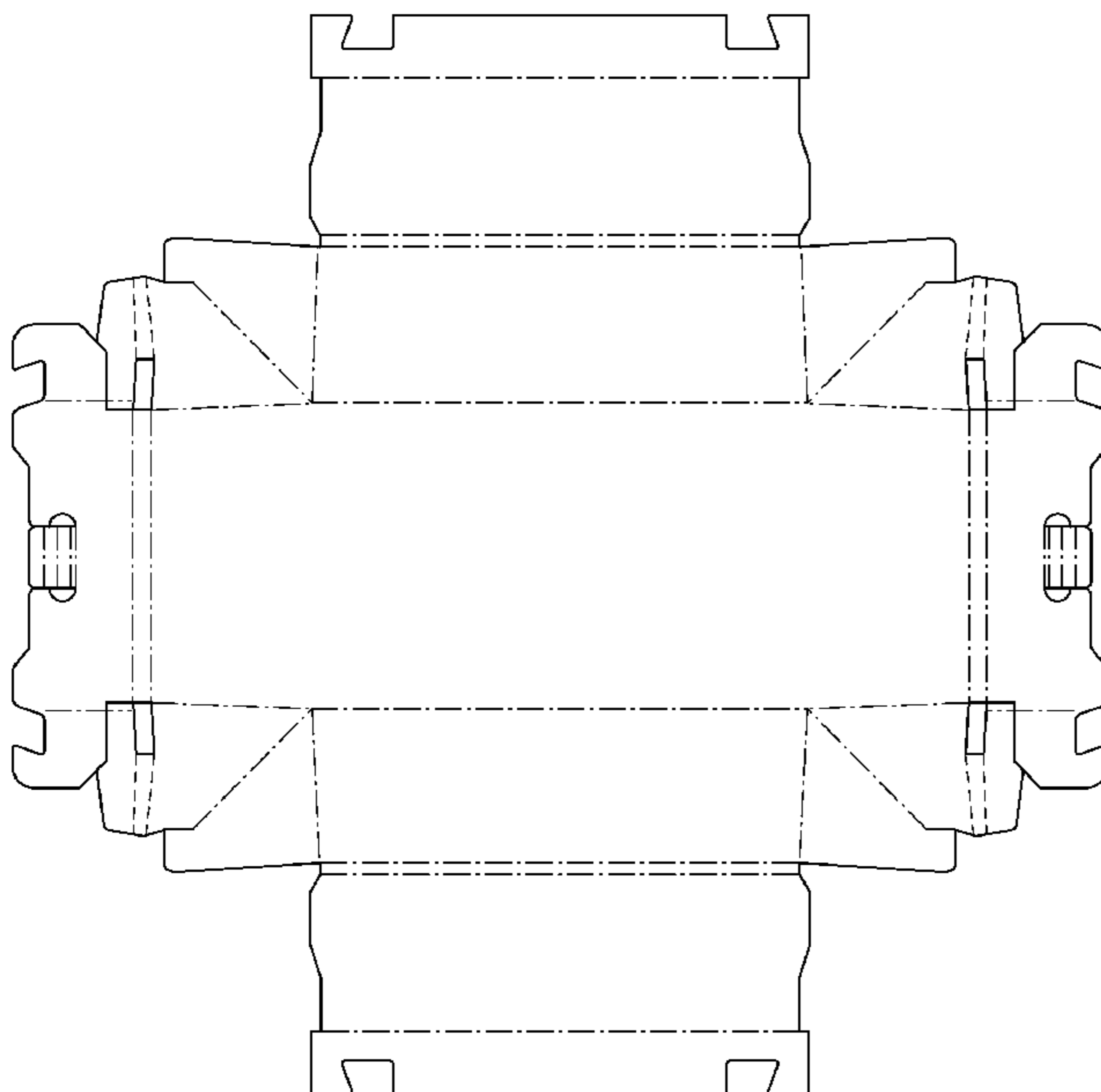
FIG. 8 is a bottom plan view thereof;

FIG. 9 is a side elevation view thereof, the other side being identical thereto; and,

FIG. 10 is an end elevation view thereof, the other end being identical thereto.

The dot-dash broken lines shown in FIG. 1 represent claimed fold lines.

**1 Claim, 7 Drawing Sheets**



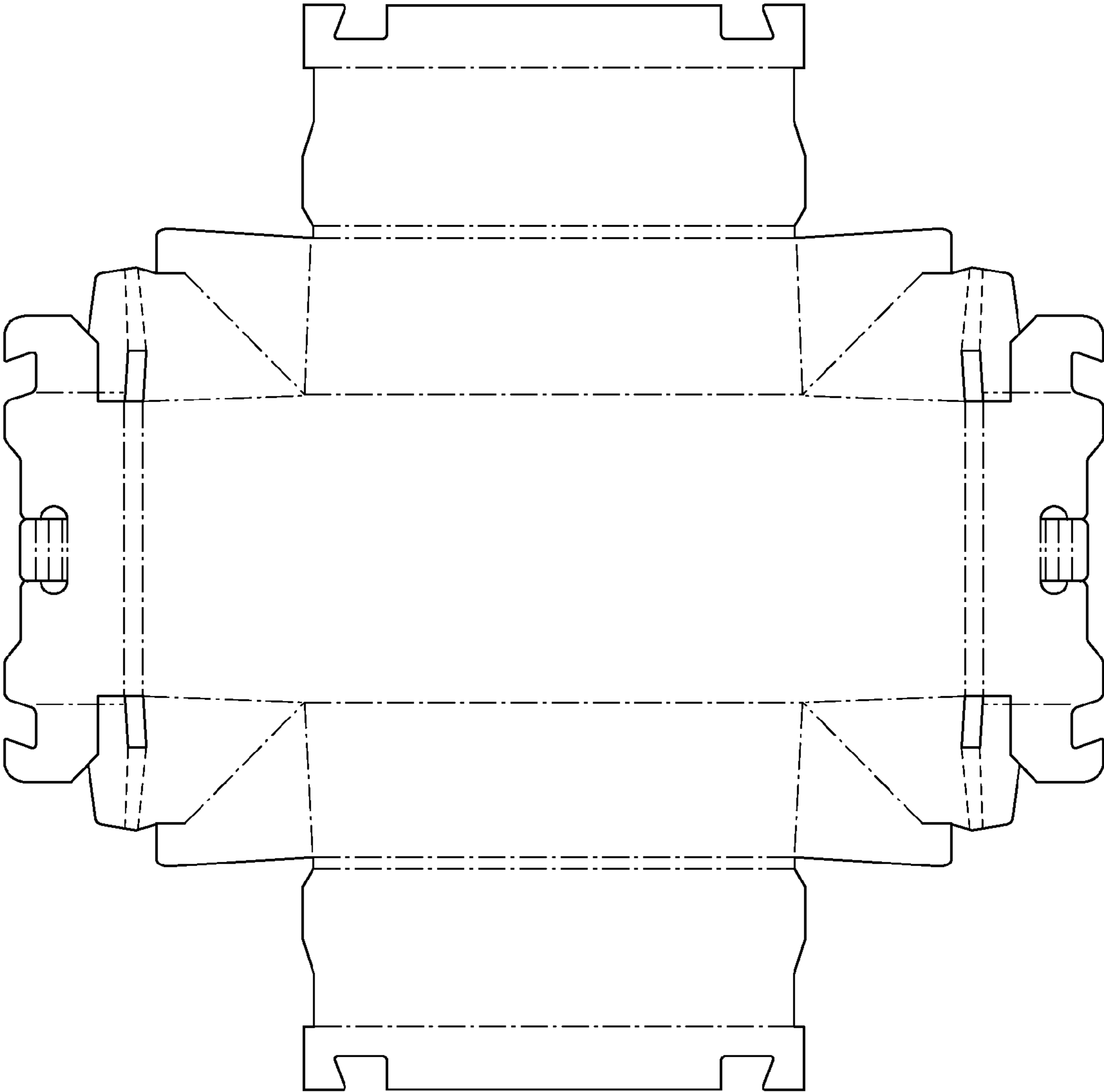


FIGURE 1



FIGURE 2



FIGURE 3

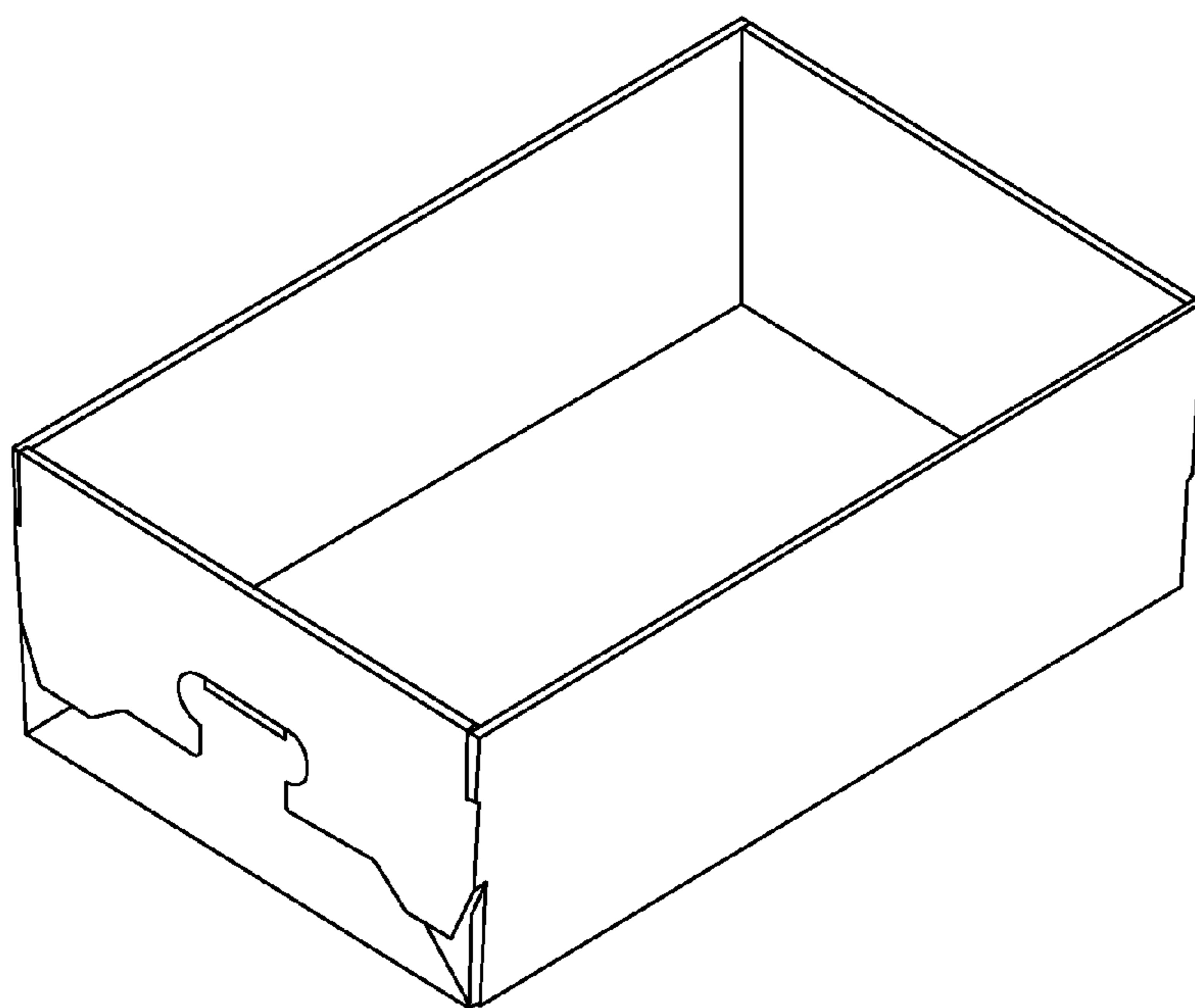


FIGURE 4

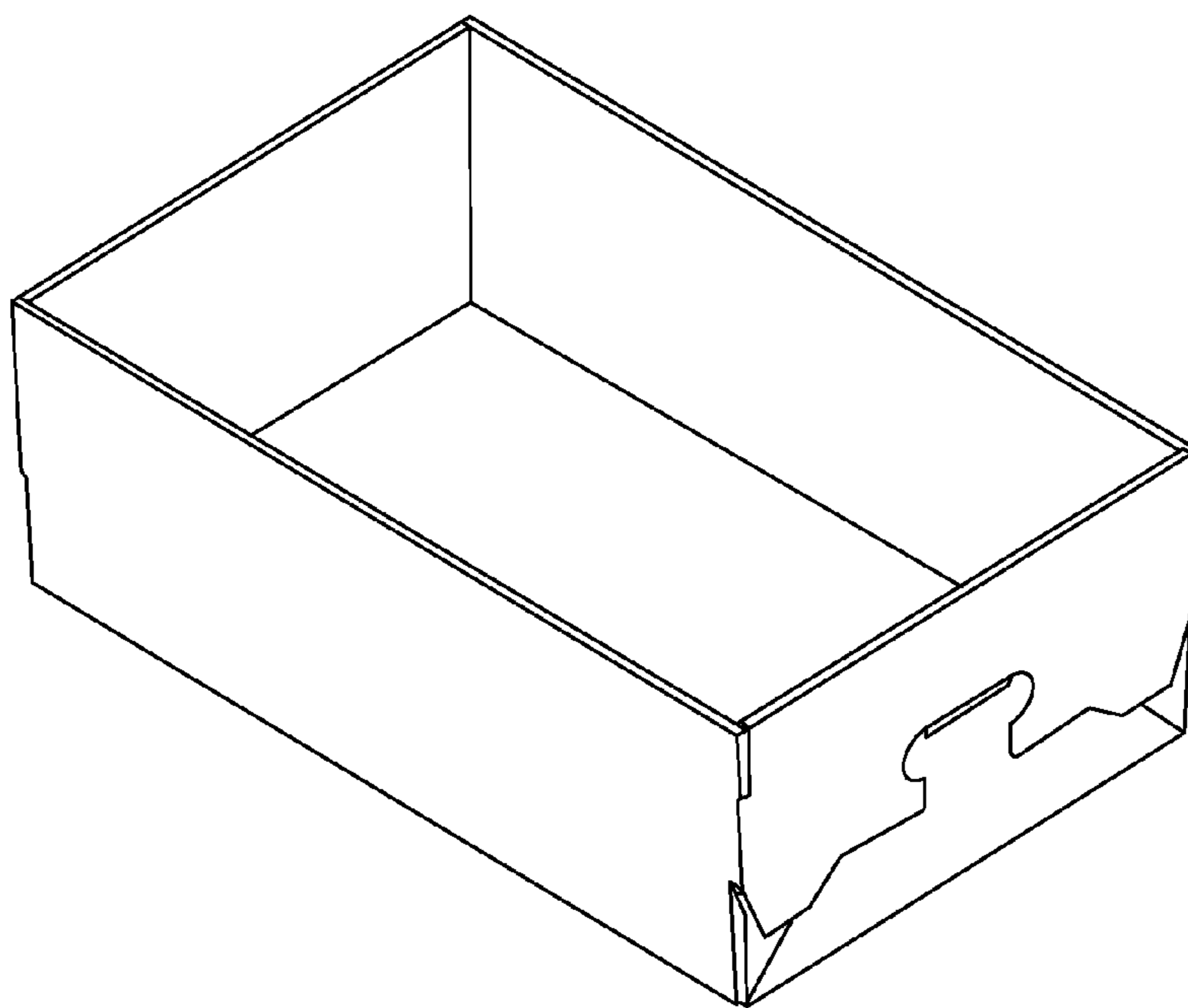


FIGURE 5

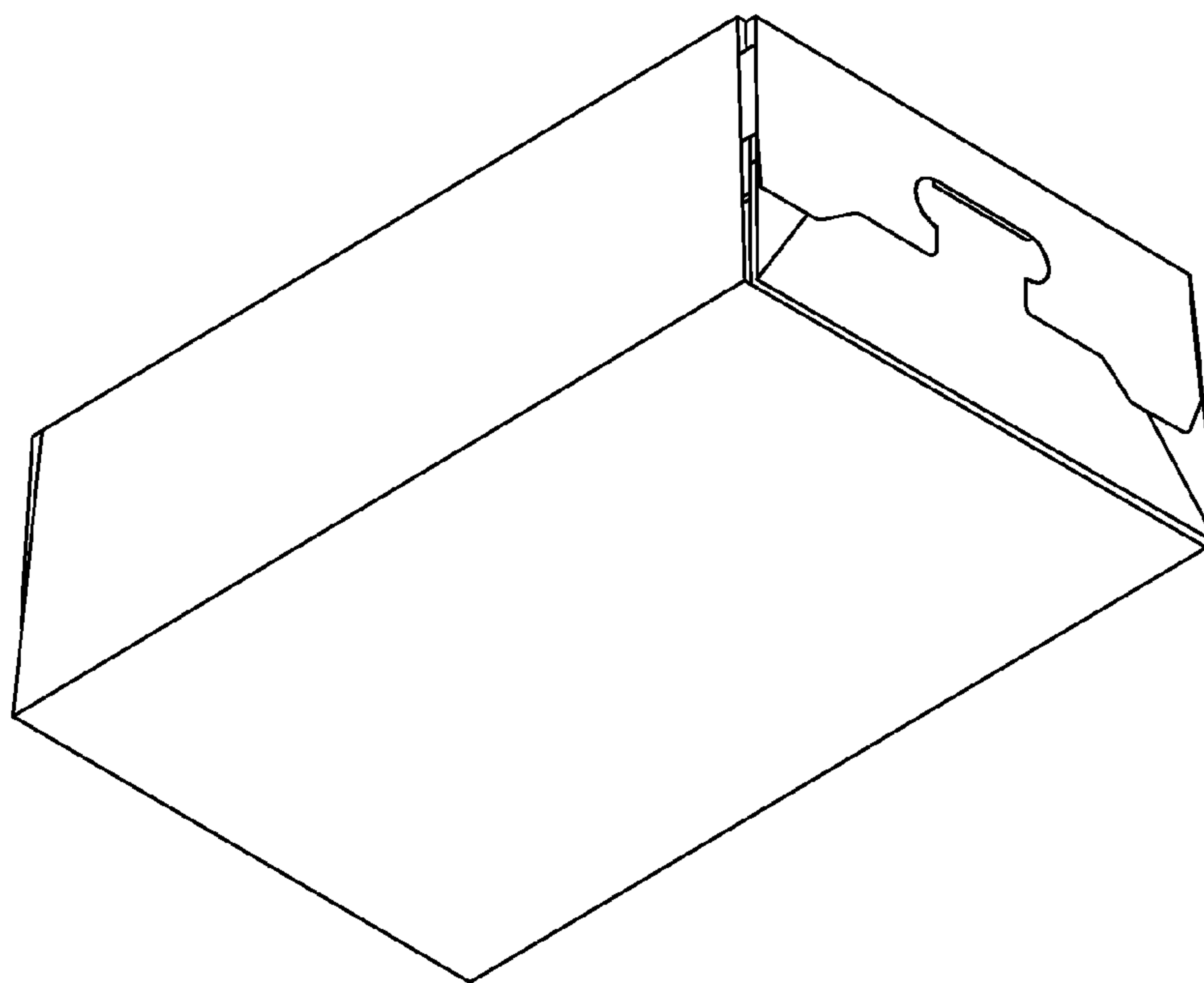


FIGURE 6

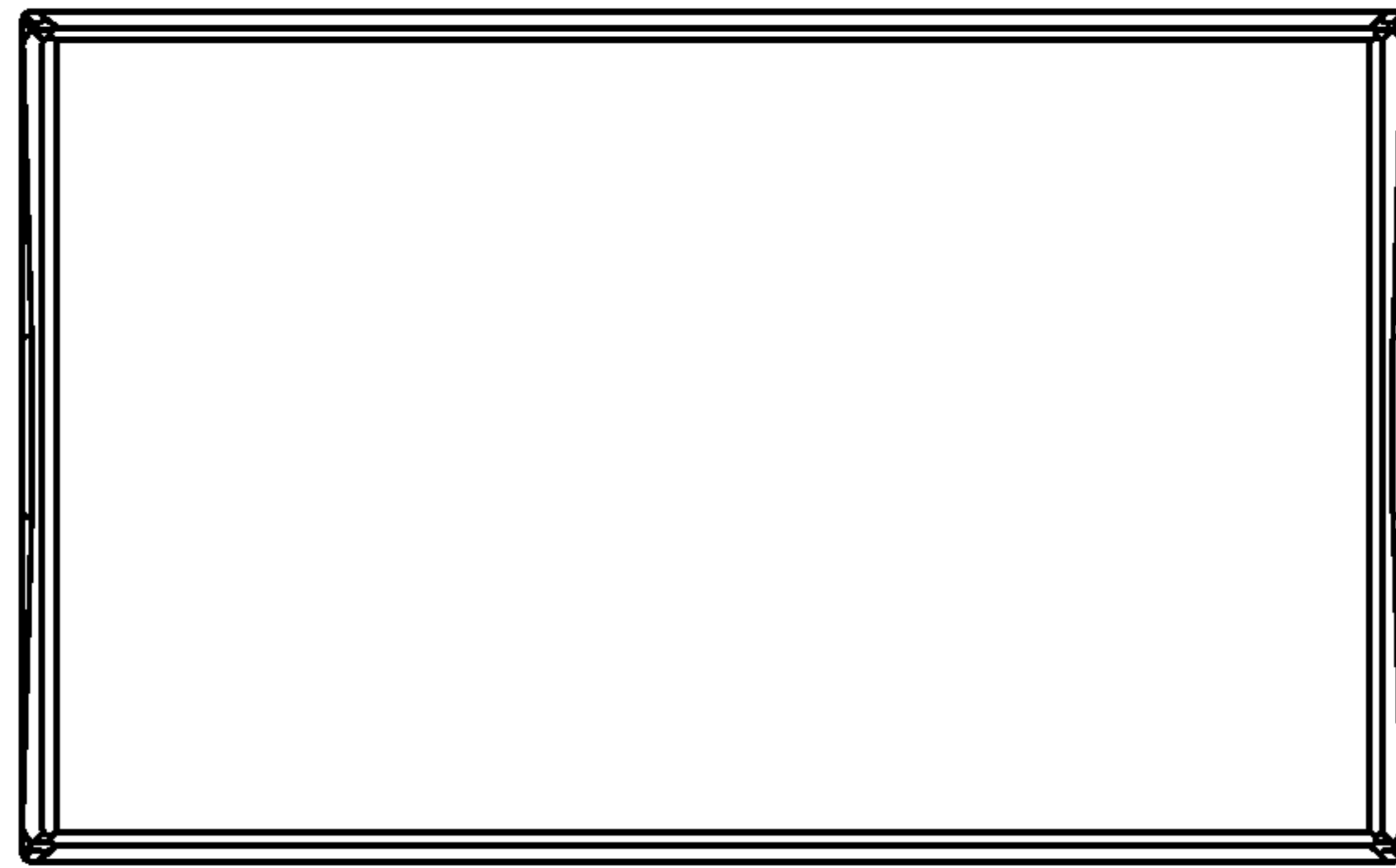


FIGURE 7



FIGURE 8

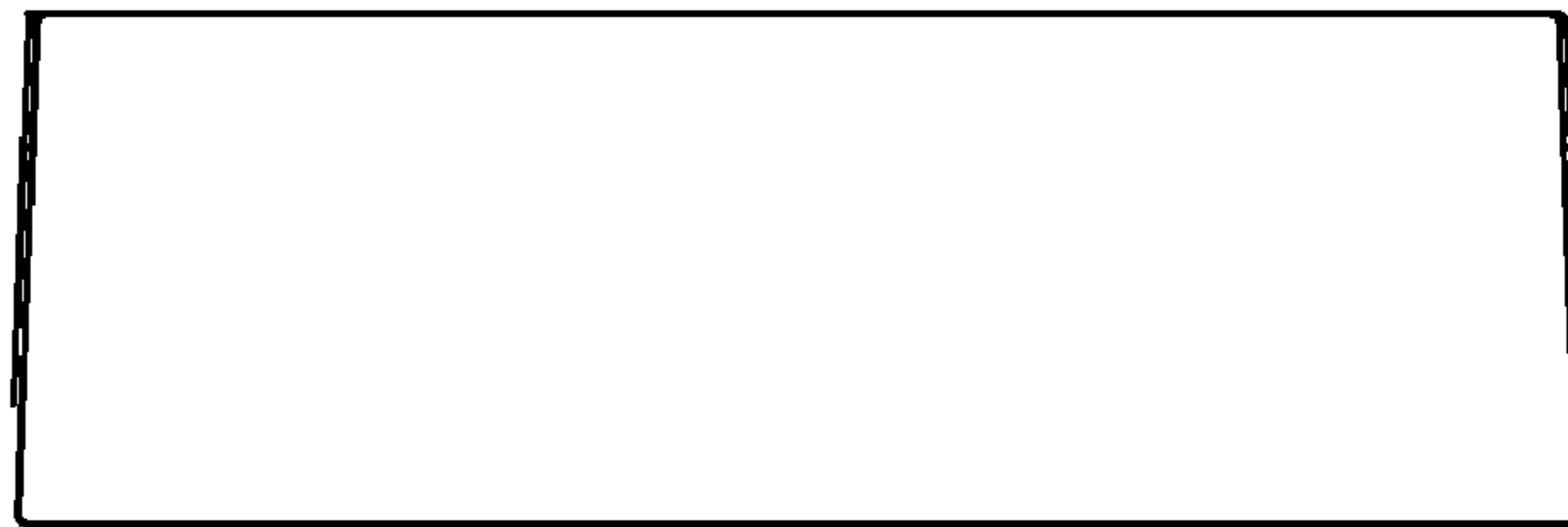


FIGURE 9

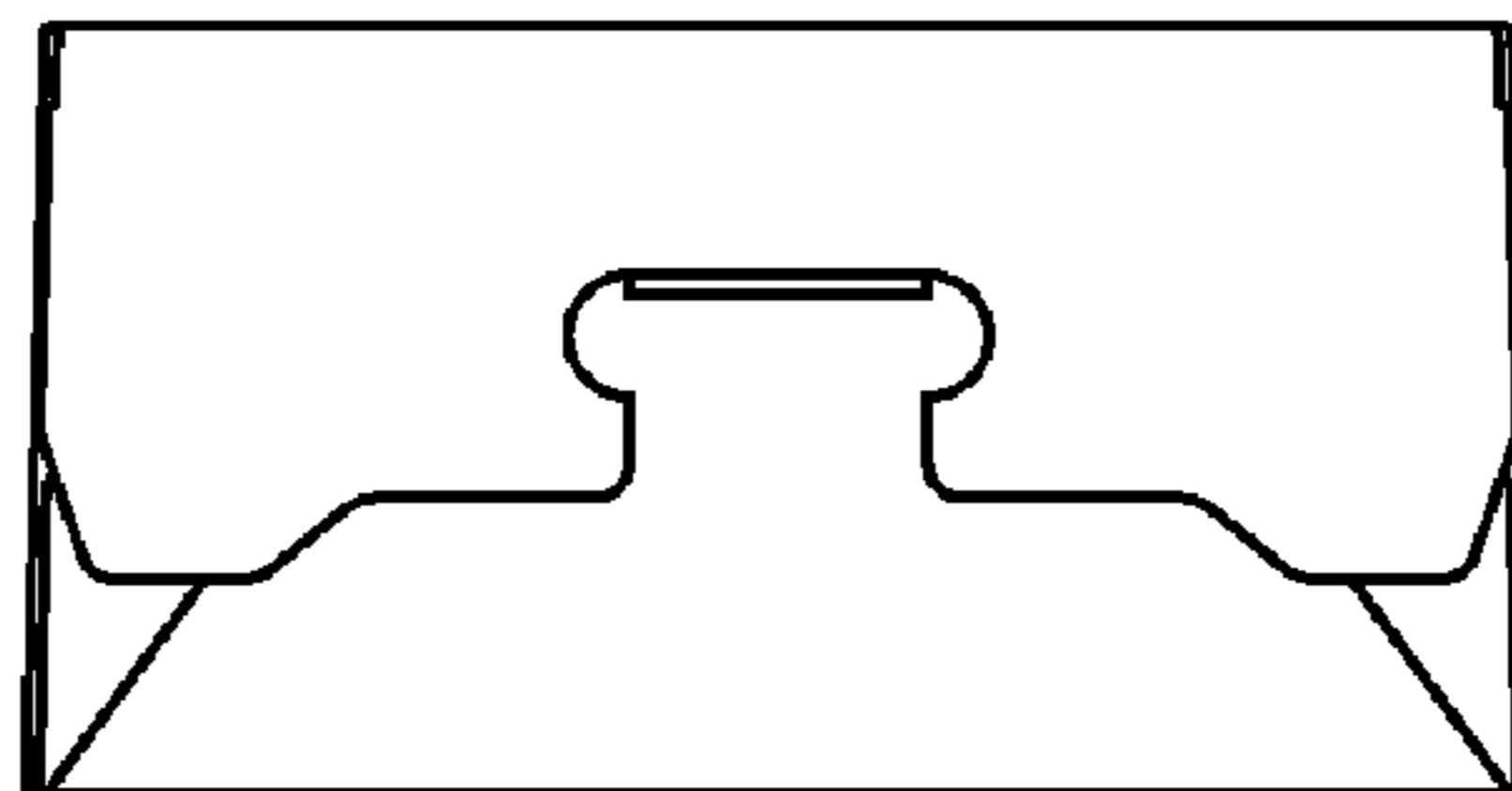


FIGURE 10