



US00D650665S

(12) **United States Design Patent**
Kaltman et al.

(10) **Patent No.:** **US D650,665 S**

(45) **Date of Patent:** **** Dec. 20, 2011**

(54) **FOLDABLE PACKAGING**

(76) Inventors: **Dennis M. Kaltman**, Princeton, NJ (US); **Richard C. Thibault**, Westchester, PA (US); **John R. Widener**, Haslett, MI (US); **Carol J. Moore**, Grand Rapids, MI (US)

2,536,530 A	1/1951	Bergstein	
2,621,783 A	12/1952	Buttery	
2,702,663 A	1/1955	Klein	
2,942,769 A	1/1960	Kuchenbecker	
2,944,719 A	7/1960	Arneson	
2,954,914 A *	10/1960	Herlihy	229/117.17
3,091,381 A	5/1963	Sidney	
3,314,194 A	4/1967	Halleck	

(Continued)

(**) **Term:** **14 Years**

(21) **Appl. No.:** **29/350,841**

(22) **Filed:** **Nov. 24, 2009**

FOREIGN PATENT DOCUMENTS

DE 7819435 U1 10/1978

(Continued)

Related U.S. Application Data

(63) Continuation of application No. 12/618,395, filed on Nov. 13, 2009, now Pat. No. 7,870,995, which is a continuation of application No. 12/566,766, filed on Sep. 25, 2009, now Pat. No. 7,959,061.

(51) **LOC (9) Cl.** **09-03**

(52) **U.S. Cl.** **D9/433**

(58) **Field of Classification Search** D9/430-433,

D9/414, 418, 420-423, 434; 206/278, 297, 206/299, 457, 770, 737, 822; 229/87.08, 229/101, 101.2, 101.3, 106, 108, 108.1, 116.1, 229/116.3, 116.5, 121, 122, 193, 195, 197, 229/201, 213, 221, 222, 227, 922, 939, 942

See application file for complete search history.

(56) **References Cited**

U.S. PATENT DOCUMENTS

329,559 A	11/1885	Hohenstein	
1,046,017 A	12/1912	Reber	
1,778,462 A *	10/1930	Nourse et al.	229/175
1,833,492 A	11/1931	Miller	
2,151,472 A	1/1939	Hubbard	
2,189,602 A	1/1940	Denny	
2,306,624 A	12/1942	Grover	
2,334,425 A	11/1943	Lowey	
2,391,767 A	12/1945	Beerend	

OTHER PUBLICATIONS

Co-pending U.S. Appl. No. 12/976,065; filed Dec. 22, 2010.

Primary Examiner — Karen S Acker

(74) *Attorney, Agent, or Firm* — Dobrusin & Thennisch PC

(57) **CLAIM**

The ornamental design for a foldable packaging, as shown and described.

DESCRIPTION

FIG. 1 is a perspective view of one embodiment of the present invention.

FIG. 2 is a side elevational view of the embodiment shown in FIG. 1, which is a mirror image of the other side.

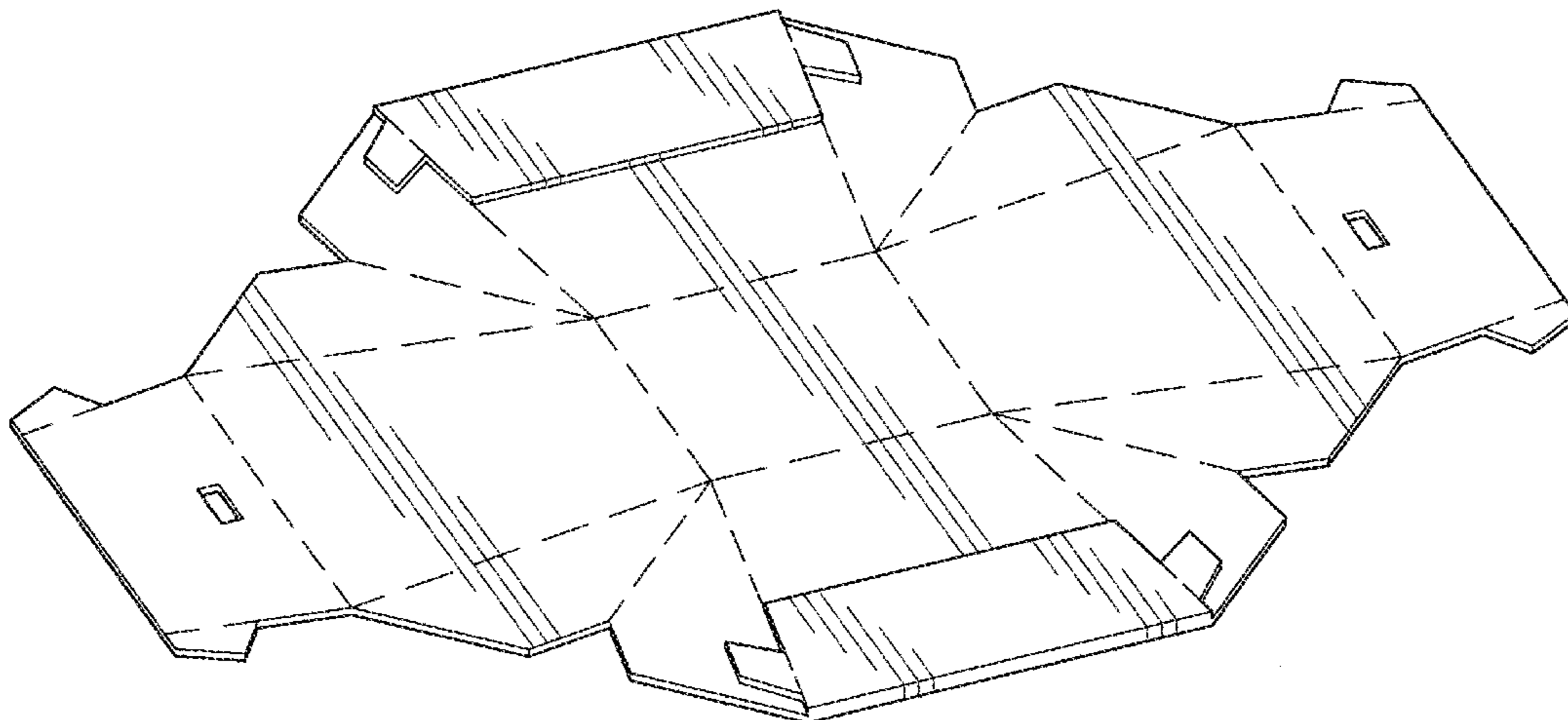
FIG. 3 is a front elevational view of the embodiment shown in FIG. 1 which is a mirror image of the back.

FIG. 4 is a top elevational view of the embodiment shown in FIG. 1; and,

FIG. 5 is a bottom elevational view of the embodiment shown in FIG. 1.

The broken lines showing environment in the drawings are for illustrative purposes only and form no part of the claimed design.

1 Claim, 3 Drawing Sheets



US D650,665 S

U.S. PATENT DOCUMENTS

3,338,503	A	8/1967	Beh	
3,443,681	A	5/1969	Wysocki	
3,465,948	A	9/1969	Boyer	
3,559,869	A	2/1971	Reynolds	
3,567,106	A	3/1971	Anderson	
3,606,078	A	9/1971	Phillips, Jr.	
3,754,642	A	8/1973	Stidolph	
3,869,828	A	3/1975	Matsumoto	
3,913,823	A	10/1975	Lin	
3,993,240	A	11/1976	Matsuyama	
4,055,293	A	10/1977	Stramaglia	
D249,022	S *	8/1978	Bamburg et al. D9/431
4,119,265	A	10/1978	Dlugopolski	
4,238,069	A *	12/1980	Morris, Jr. 229/117.15
4,242,835	A	1/1981	Mondragon	
4,260,098	A	4/1981	Manizza et al.	
4,512,511	A	4/1985	Zimmermann	
4,919,267	A *	4/1990	Stoll 206/507
D317,582	S	6/1991	Weder	
5,029,708	A	7/1991	Alonso et al.	
5,070,645	A	12/1991	Vaughn	
D326,246	S	5/1992	Weder	
D326,830	S	6/1992	Vaughn	
D327,234	S	6/1992	Vaughn	
D327,236	S	6/1992	Weder	
5,174,061	A	12/1992	Dambricourt	
5,211,330	A *	5/1993	Frey 229/175
5,221,248	A	6/1993	Weder et al.	
5,254,072	A	10/1993	Weder et al.	
5,284,294	A	2/1994	Floyd	
D360,387	S	7/1995	Weder et al.	
D361,738	S	8/1995	Shryock	
D363,450	S	10/1995	Weder et al.	
5,673,847	A *	10/1997	Swink 229/113
D398,261	S	9/1998	Weder et al.	
5,853,121	A	12/1998	Francisco	

6,050,483	A	4/2000	Haraldsson et al.	
6,345,467	B1	2/2002	Weder	
6,421,959	B1	7/2002	Van Laere	
6,561,353	B2	5/2003	Levieux et al.	
D480,660	S	10/2003	Faulkner	
6,745,514	B1	6/2004	Myrland	
6,782,659	B2	8/2004	Van Laere	
6,912,610	B2	6/2005	Spencer et al.	
D572,169	S	7/2008	DeRoeck	
D630,548	S	1/2011	Kaltman et al.	
7,870,995	B1	1/2011	Kaltman et al.	
D631,741	S *	2/2011	Hubbard et al. D9/433
D631,743	S *	2/2011	Hubbard et al. D9/433
7,959,061	B2 *	6/2011	Kaltman et al. 229/114
2002/0038527	A1	4/2002	Weder	
2002/0062352	A1	5/2002	Asano et al.	
2002/0148159	A1	10/2002	Weder	
2002/0184821	A1	12/2002	Campeau	
2003/0197053	A1	10/2003	Haraldsson	
2003/0235200	A1	12/2003	Kendall et al.	
2004/0031842	A1	2/2004	Westerman et al.	
2004/0182916	A1 *	9/2004	Roseth 229/155
2007/0130446	A1	6/2007	Minakami et al.	
2008/0060270	A1	3/2008	Weder	

FOREIGN PATENT DOCUMENTS

DE	9011923	U1	10/1990
EP	1084958	A1	3/2001
GB	477926	A	1/1938
GB	490316	A	8/1938
GB	714265	A	8/1954
GB	2121383	A	12/1983
GB	2276870	A	10/1994
GB	2415956	A	1/2006
WO	02/076840	A1	10/2002
WO	2009/064420	A1	5/2009

* cited by examiner

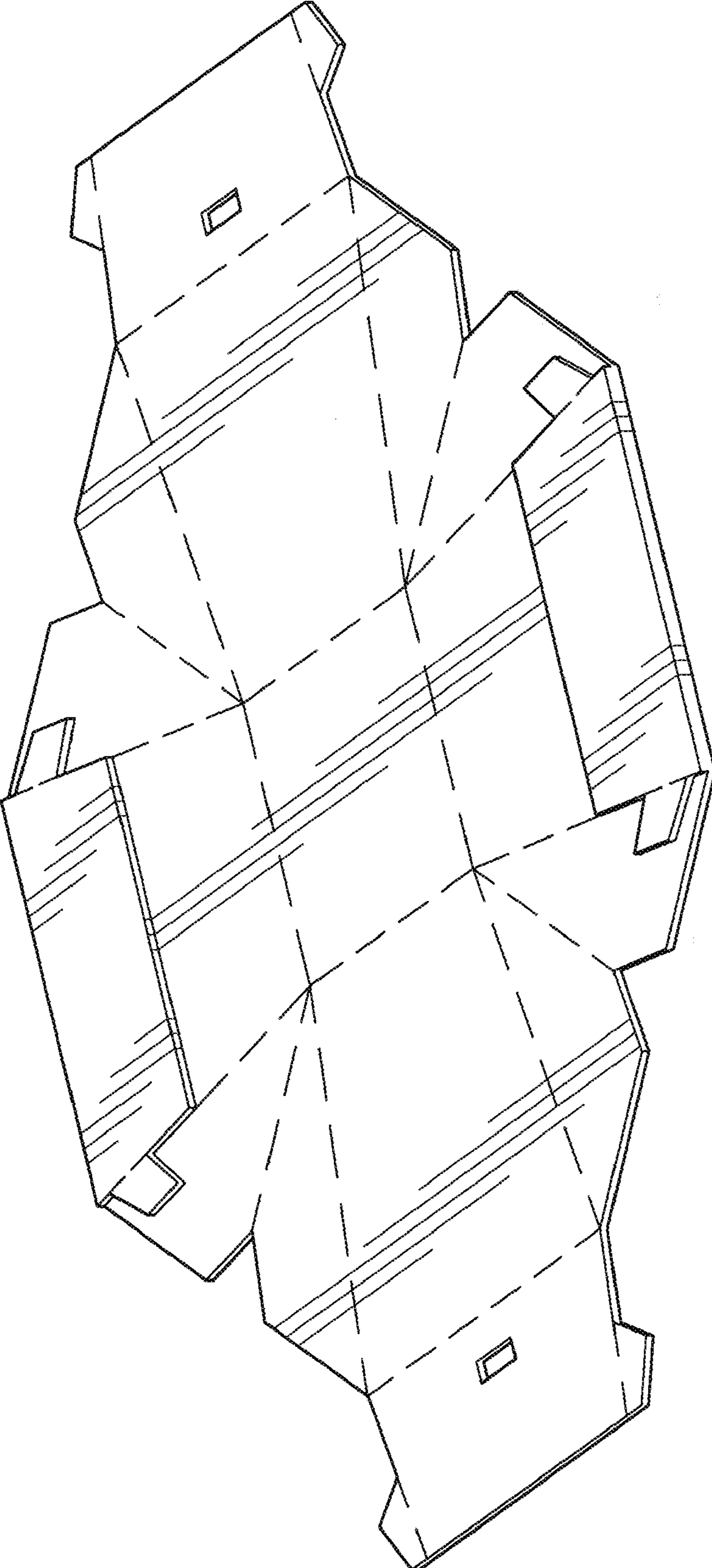


Fig-1

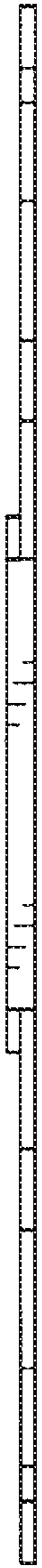


Fig-2

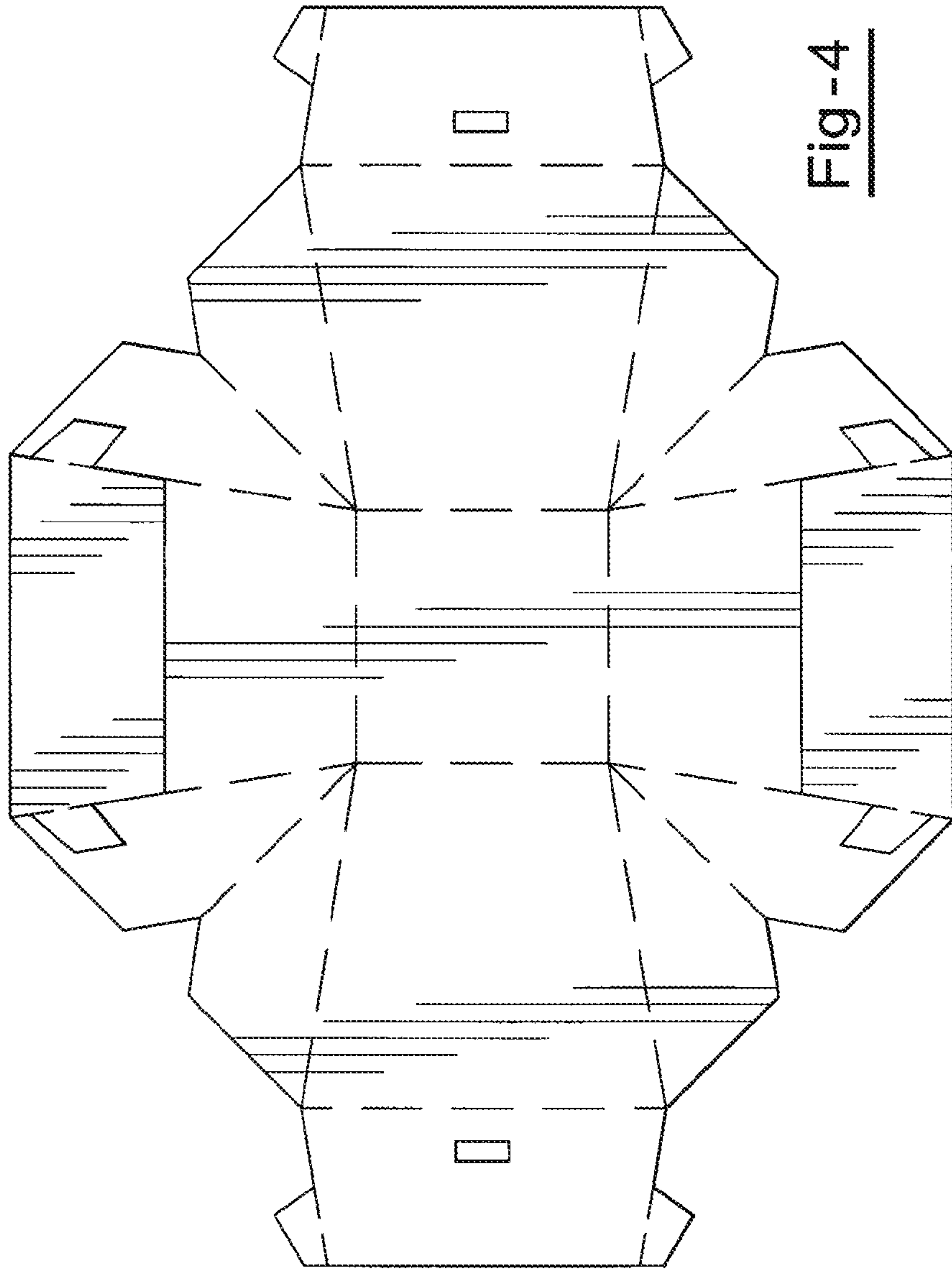


Fig-4

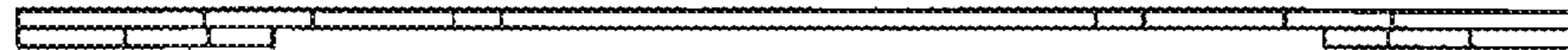


Fig-3

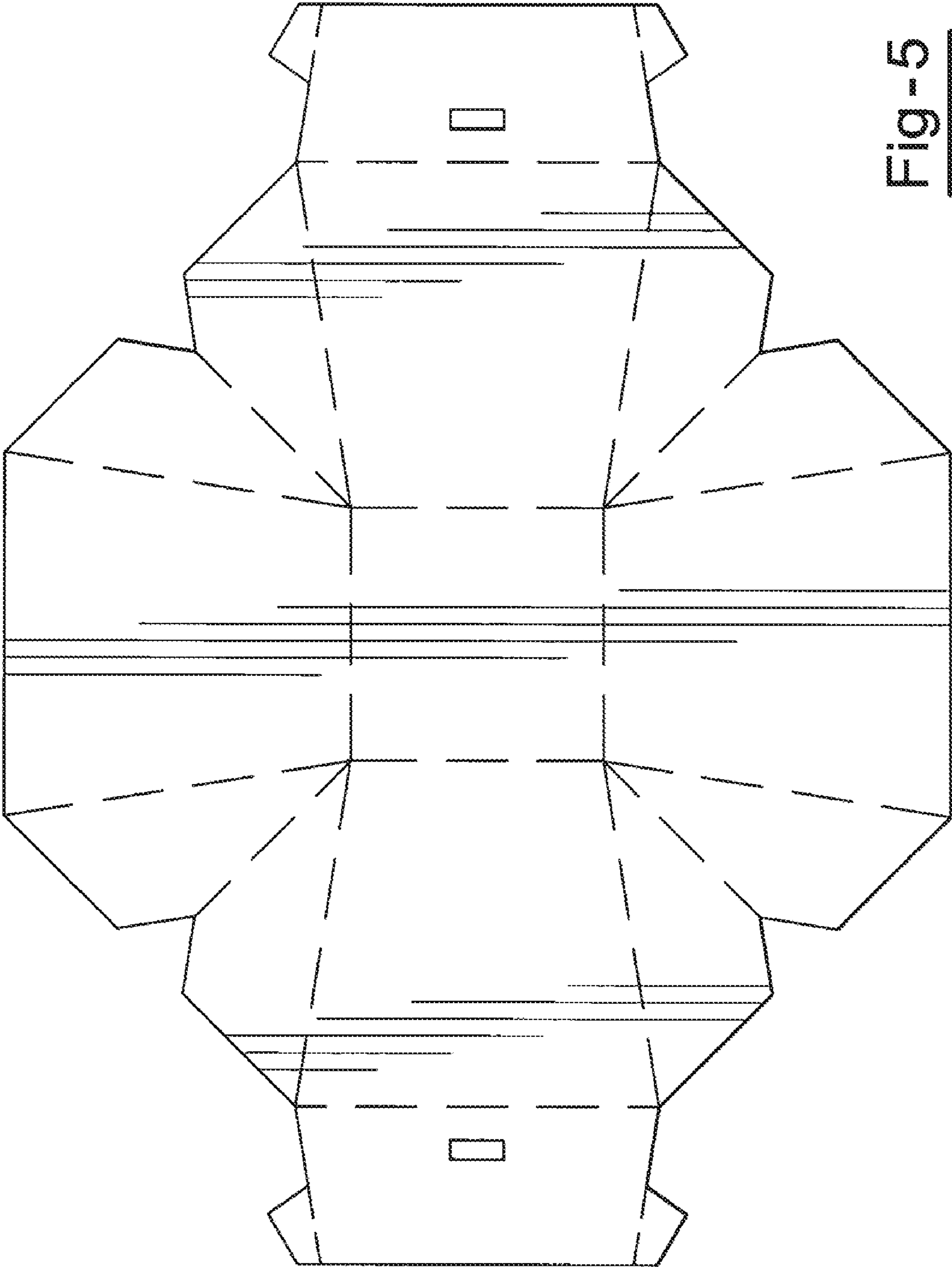


Fig-5