



US00D650661S

(12) **United States Design Patent**  
**Shiffer et al.**

(10) **Patent No.:** **US D650,661 S**

(45) **Date of Patent:** **\*\* \*Dec. 20, 2011**

(54) **CONTAINER**

(75) Inventors: **David A. Shiffer**, Irwin, OH (US); **Lisa S. Case**, St. Paris, OH (US)

(73) Assignee: **Tech II, Inc.**, Springfield, OH (US)

(\*) Notice: This patent is subject to a terminal disclaimer.

(\*\*) Term: **14 Years**

(21) Appl. No.: **29/377,351**

(22) Filed: **Oct. 20, 2010**

(51) **LOC (9) Cl.** ..... **09-03**

(52) **U.S. Cl.** ..... **D9/428; D9/425**

(58) **Field of Classification Search** ..... D9/414,  
D9/419, 424, 425-432, 500-504, 715-762;  
D7/538, 549, 550.1, 601-603, 605, 629;  
220/23.4, 23.6, 266, 281, 315, 318, 500,  
220/659, 669, 674, 675, 696, 752, 760, 790,  
220/793, DIG. 12, FOR. 117; 229/105, 117.09,  
229/117.26, 189, 406, 407, 902, 905, 915.1;  
206/499, 508, 557; D3/276  
See application file for complete search history.

(56) **References Cited**

**U.S. PATENT DOCUMENTS**

D276,401 S \* 11/1984 Daenen et al. .... D7/602  
D280,058 S 8/1985 Carlson  
D288,063 S 2/1987 Tyler  
D310,617 S 9/1990 Pozzi

D312,968 S \* 12/1990 Wolff ..... D9/431  
D319,978 S \* 9/1991 Wolff ..... D9/431  
D377,739 S \* 2/1997 Carlson ..... D7/602  
D383,671 S 9/1997 Phillips  
D429,464 S 8/2000 Helms  
D447,688 S 9/2001 Jalet et al.  
D489,975 S 5/2004 Jackson et al.  
D496,272 S 9/2004 Jackson et al.  
D502,394 S 3/2005 Jackson et al.  
D544,790 S 6/2007 Bouveret et al.  
D547,179 S 7/2007 Bouveret et al.  
D548,588 S 8/2007 Bouveret et al.  
D630,899 S \* 1/2011 Samartgis ..... D7/602  
D631,298 S \* 1/2011 Samartgis ..... D7/602  
D631,299 S \* 1/2011 Samartgis ..... D7/602  
D631,706 S \* 2/2011 Samartgis ..... D7/602

\* cited by examiner

*Primary Examiner* — Thomas Johannes

(74) *Attorney, Agent, or Firm* — Maginot, Moore & Beck

(57) **CLAIM**

The ornamental design for a container, as shown and described.

**DESCRIPTION**

FIG. 1 is a perspective view of a container showing our new design;

FIG. 2 is a top plan view thereof;

FIG. 3 is a bottom plan view thereof;

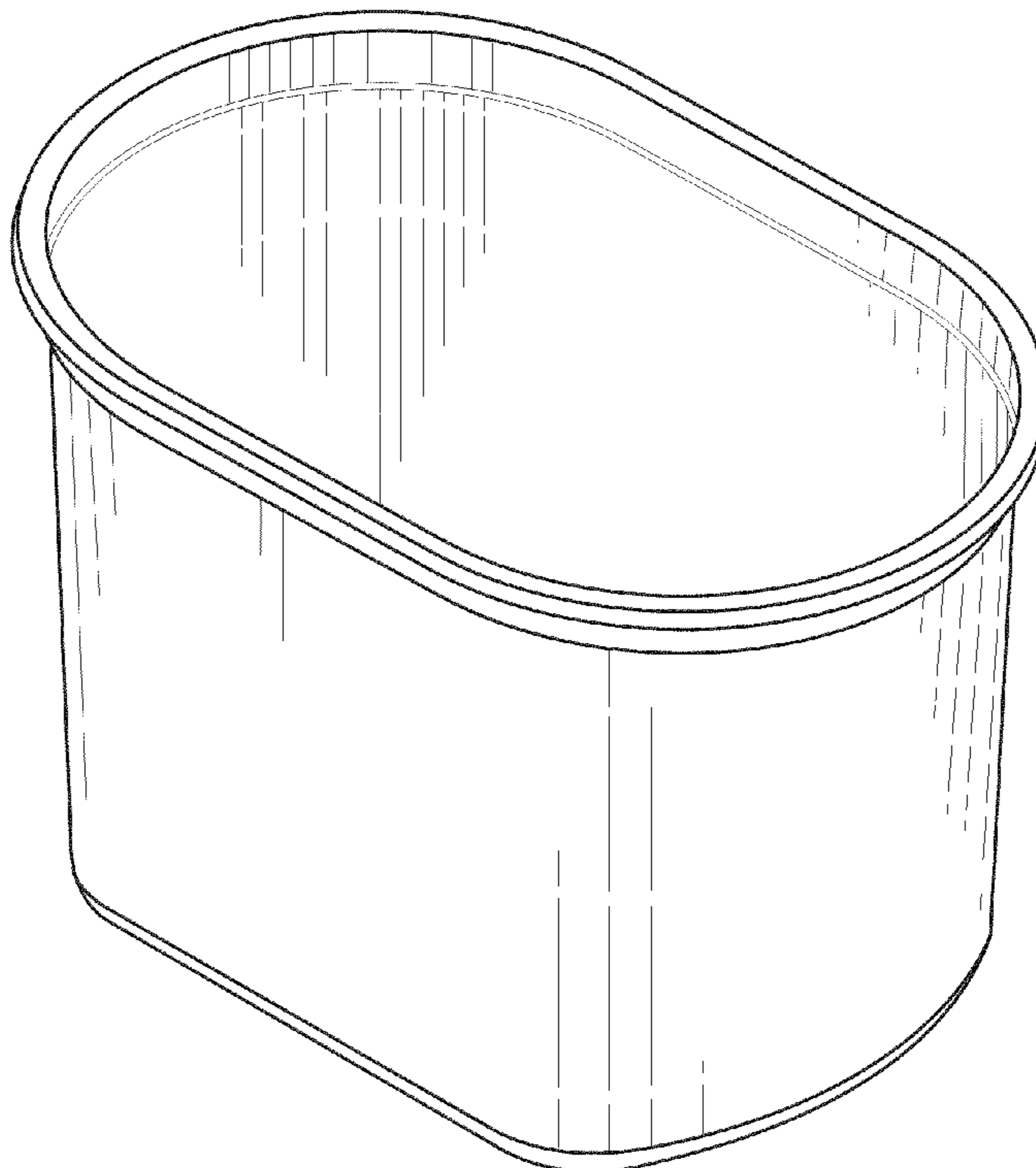
FIG. 4 is a front elevational view thereof;

FIG. 5 is a rear elevational view thereof;

FIG. 6 is a left side elevational view thereof; and,

FIG. 7 is a right side elevational view thereof.

**1 Claim, 4 Drawing Sheets**



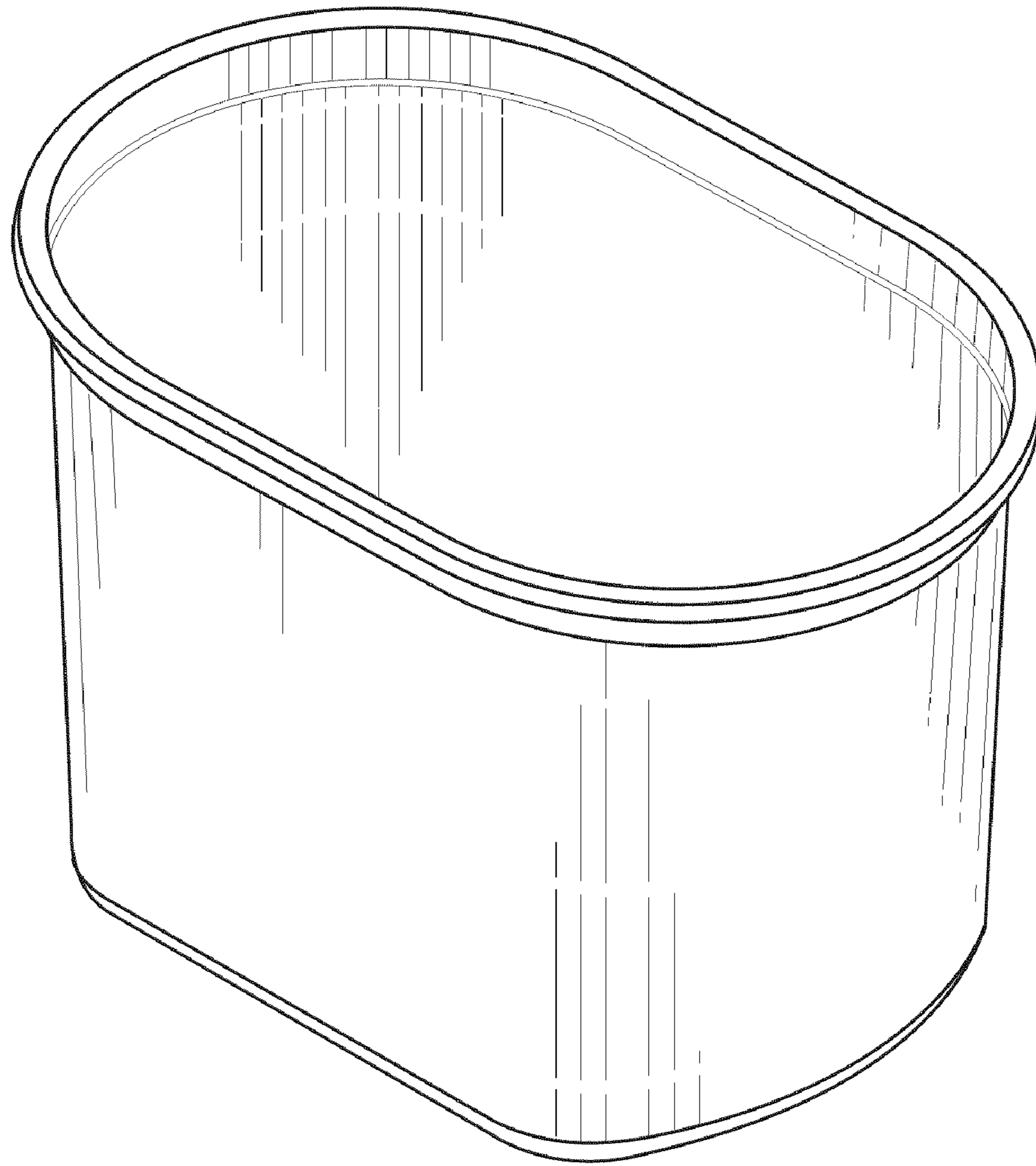


FIG. 1

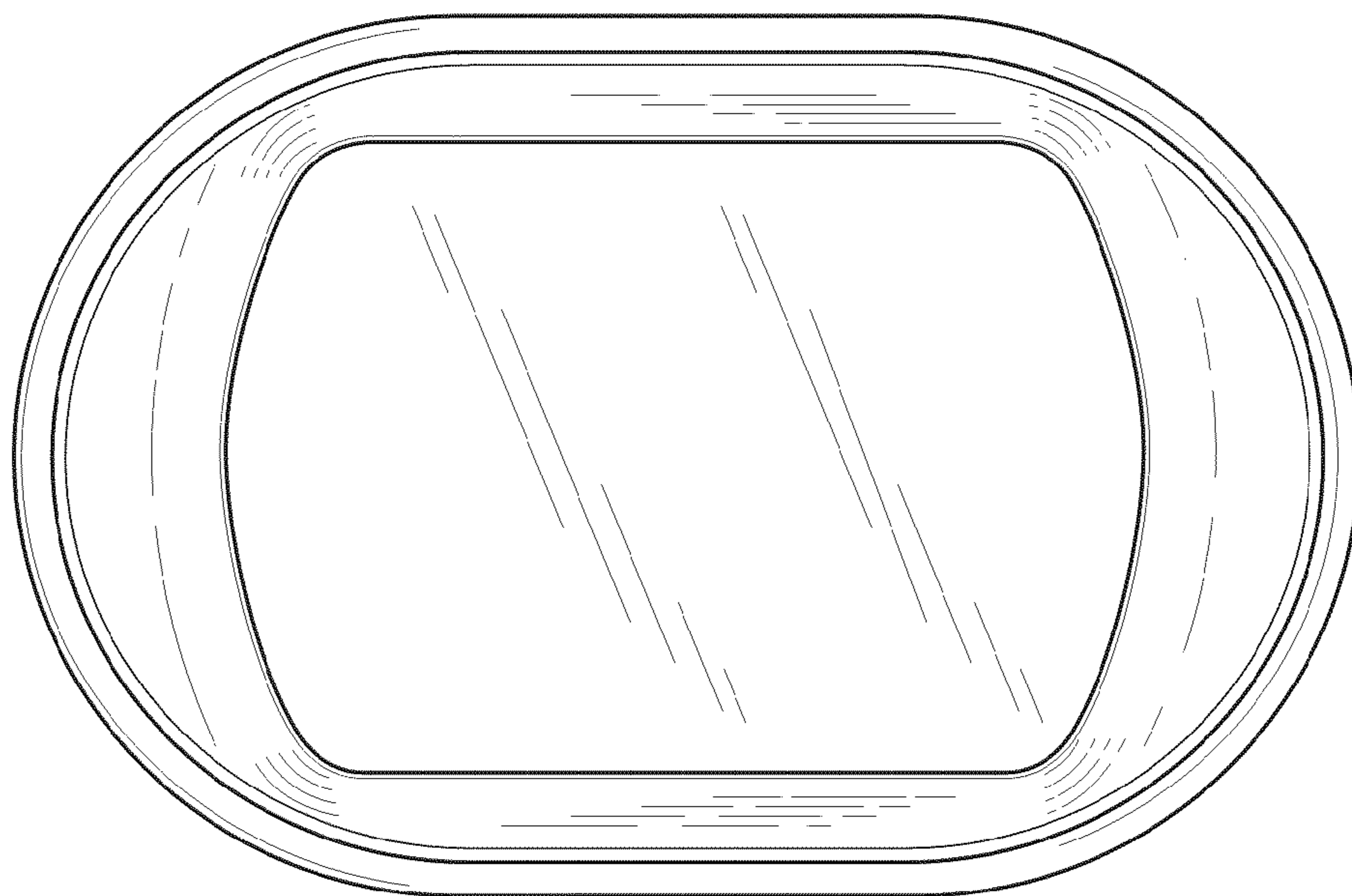


FIG. 2

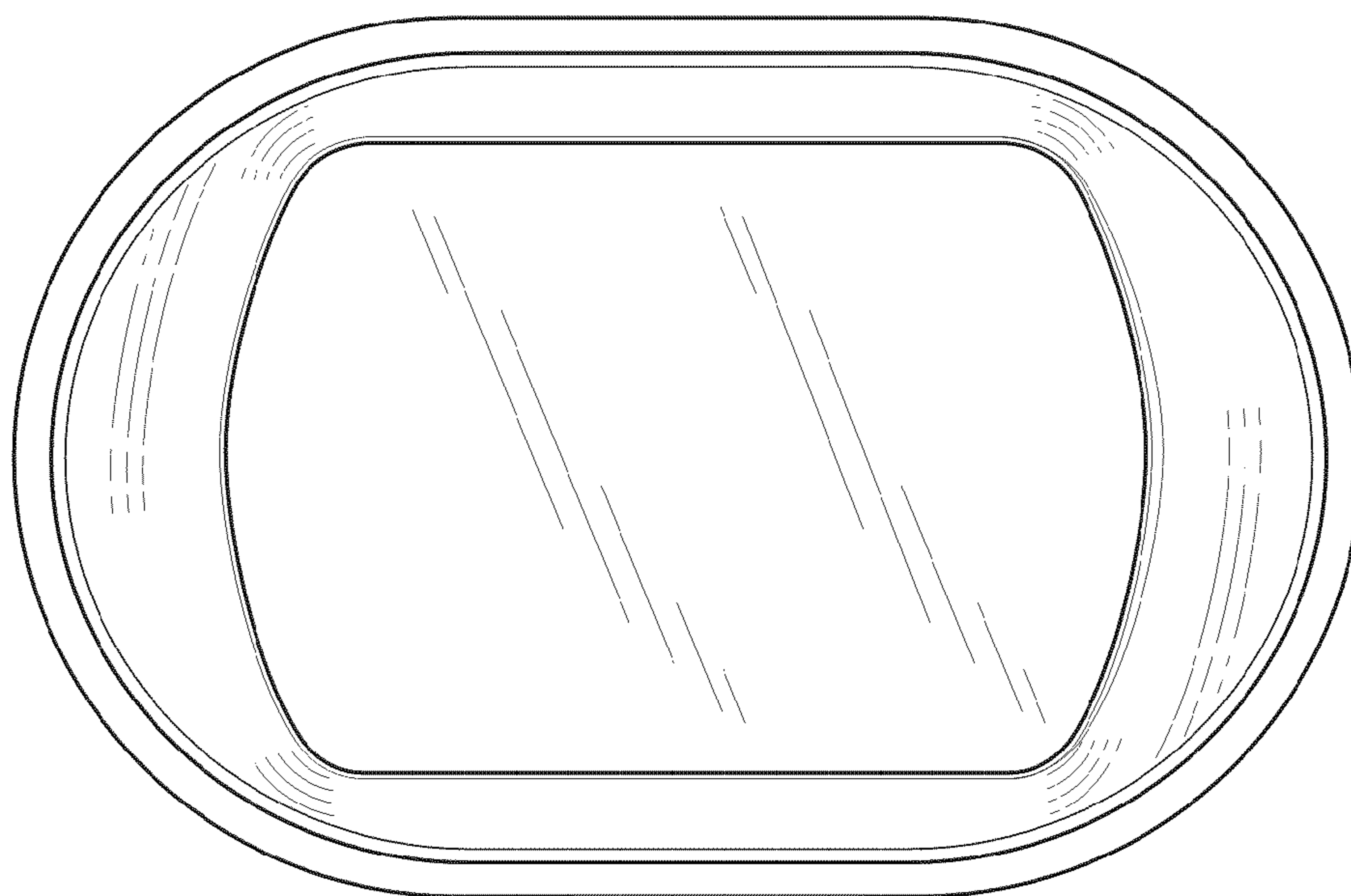


FIG. 3

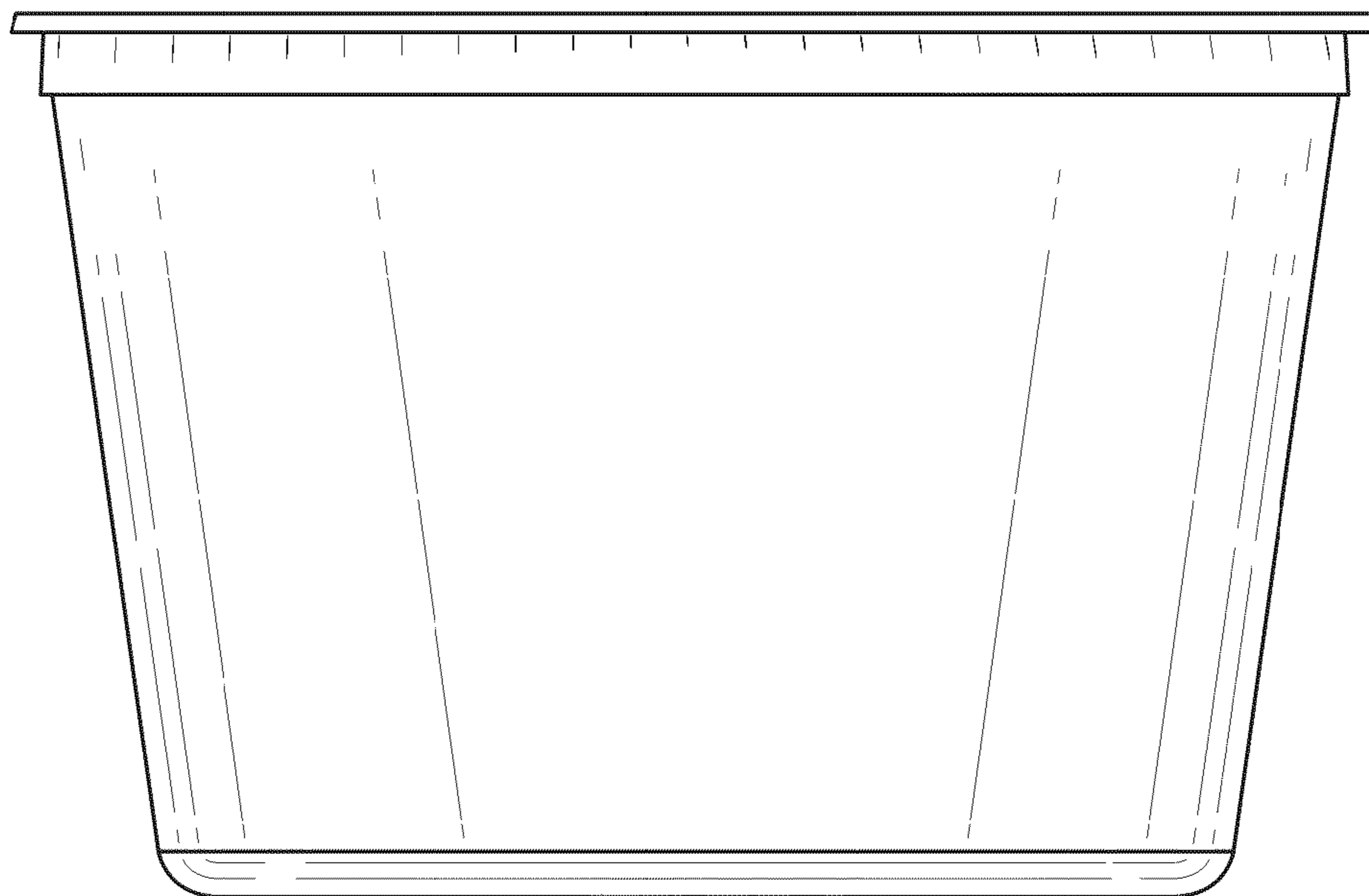


FIG. 4

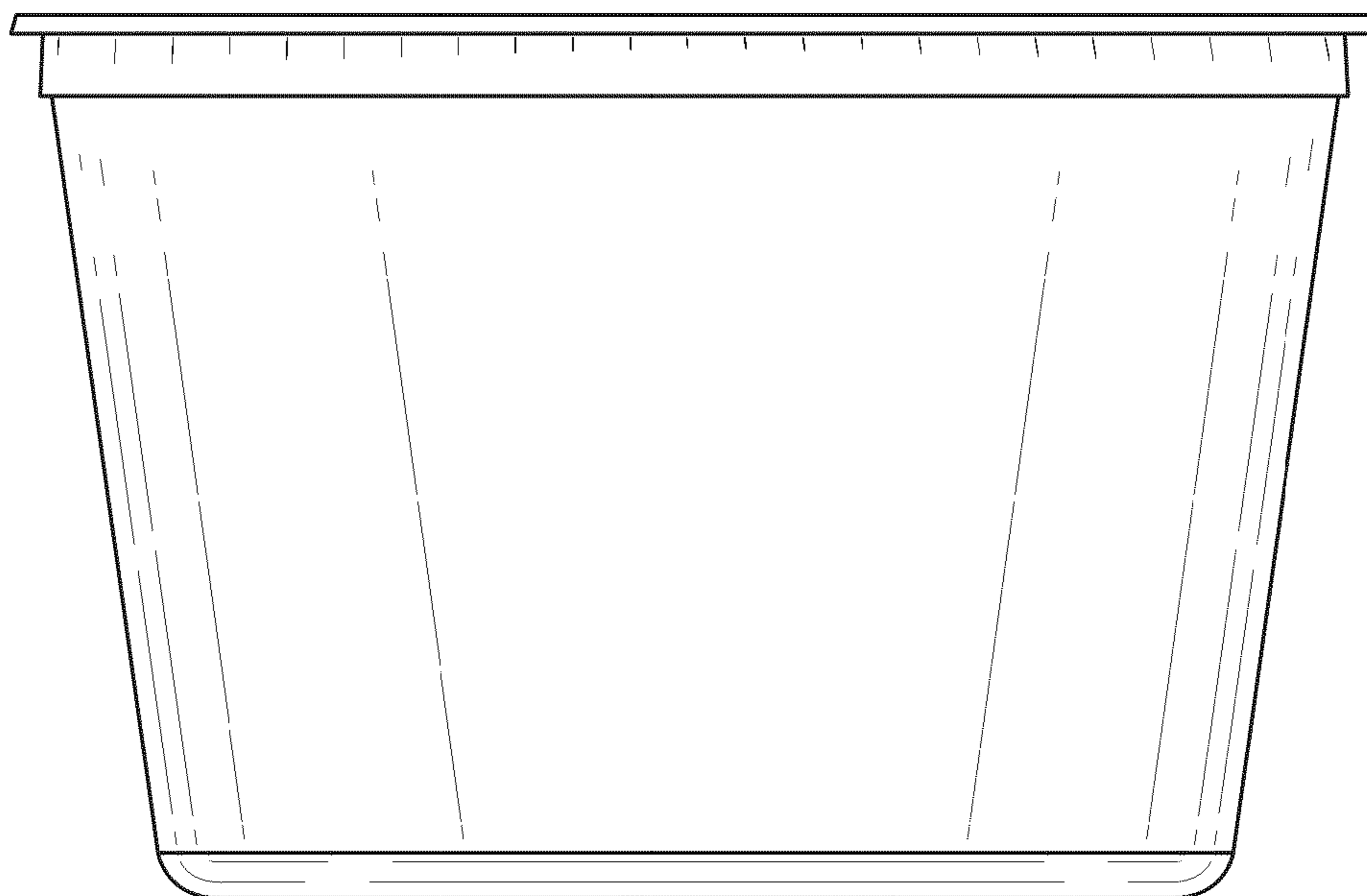


FIG. 5

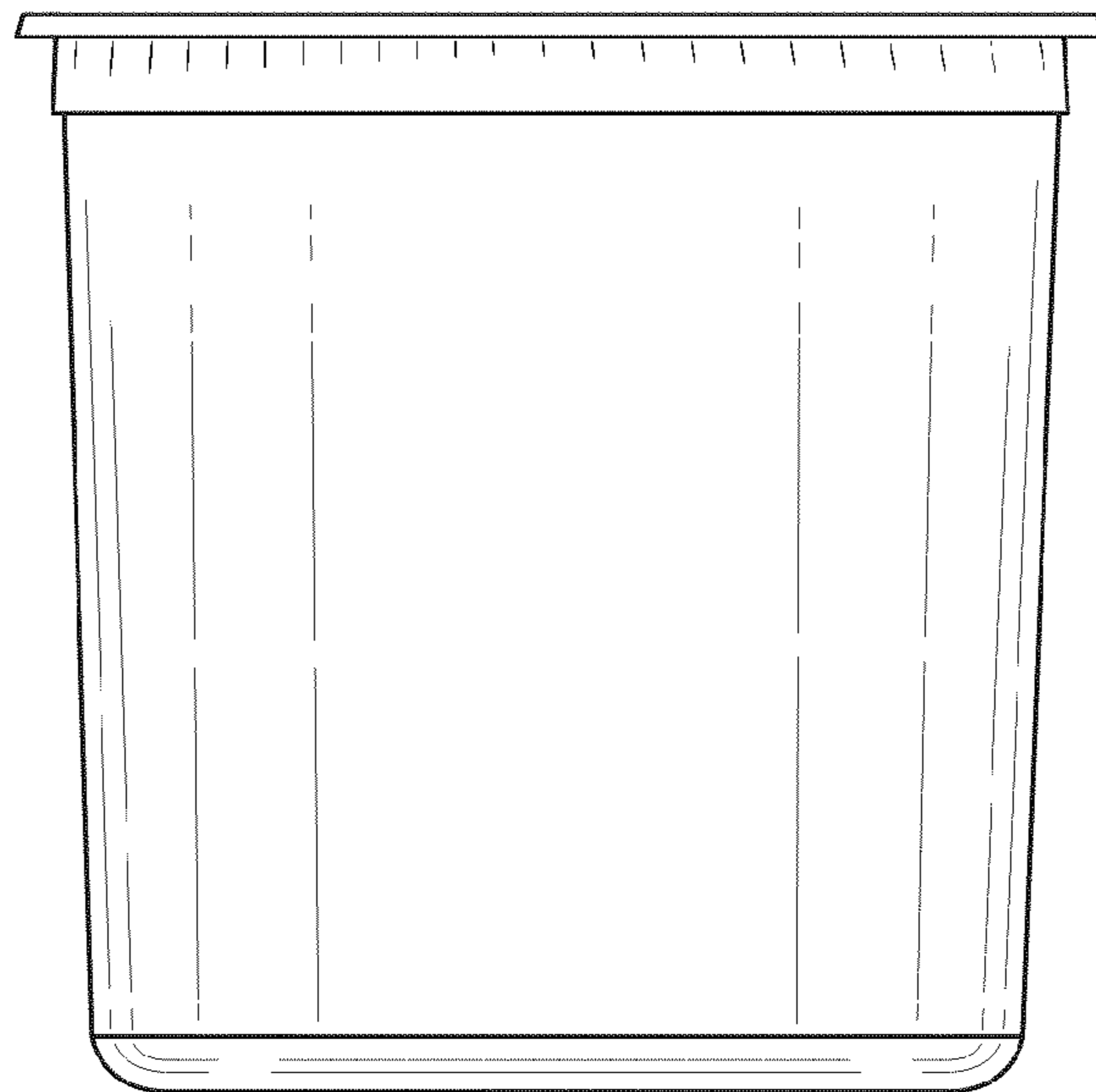


FIG. 6

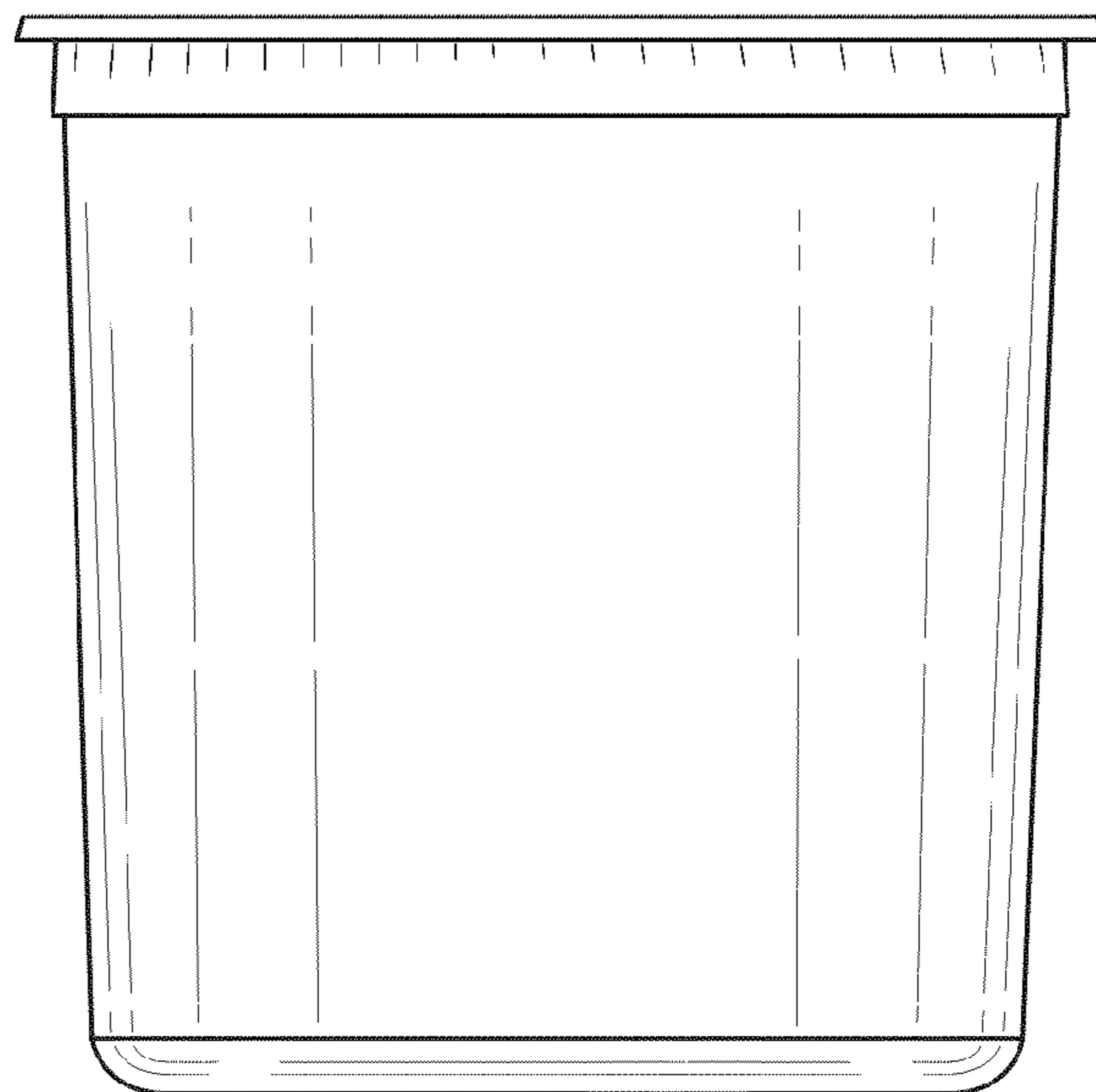


FIG. 7