



(12) **United States Design Patent**
Kaye et al.

(10) **Patent No.:** **US D650,657 S**
(45) **Date of Patent:** **** Dec. 20, 2011**

(54) **SWIVELABLE CEILING HOOK**
(75) Inventors: **Gordon E. Kaye**, Glens Falls, NY (US);
David Garfield, Purchase, NY (US)
(73) Assignee: **Mechanical Plastics Corp.**, Norwalk,
CT (US)

(**) Term: **14 Years**
(21) Appl. No.: **29/375,327**

(22) Filed: **Sep. 21, 2010**
(51) **LOC (9) Cl.** **08-05**
(52) **U.S. Cl.** **D8/367**
(58) **Field of Classification Search** D8/356,
D8/354, 372, 367, 1, 382, 328, 323; 63/8;
D12/317, 162, 115; D6/323; 248/301-304,
248/175, 277.2, 308, 215, 231.81, 227.2;
70/59; 24/588.1, 601, 599.9, 598.1, 599.6,
24/592.11, 452, 601.5; 402/35; 114/218,
114/114; 294/129 R, 600.9; 182/3; D11/210,
D11/3; D9/752; D19/32; D3/207, 328;
16/256, 258
See application file for complete search history.

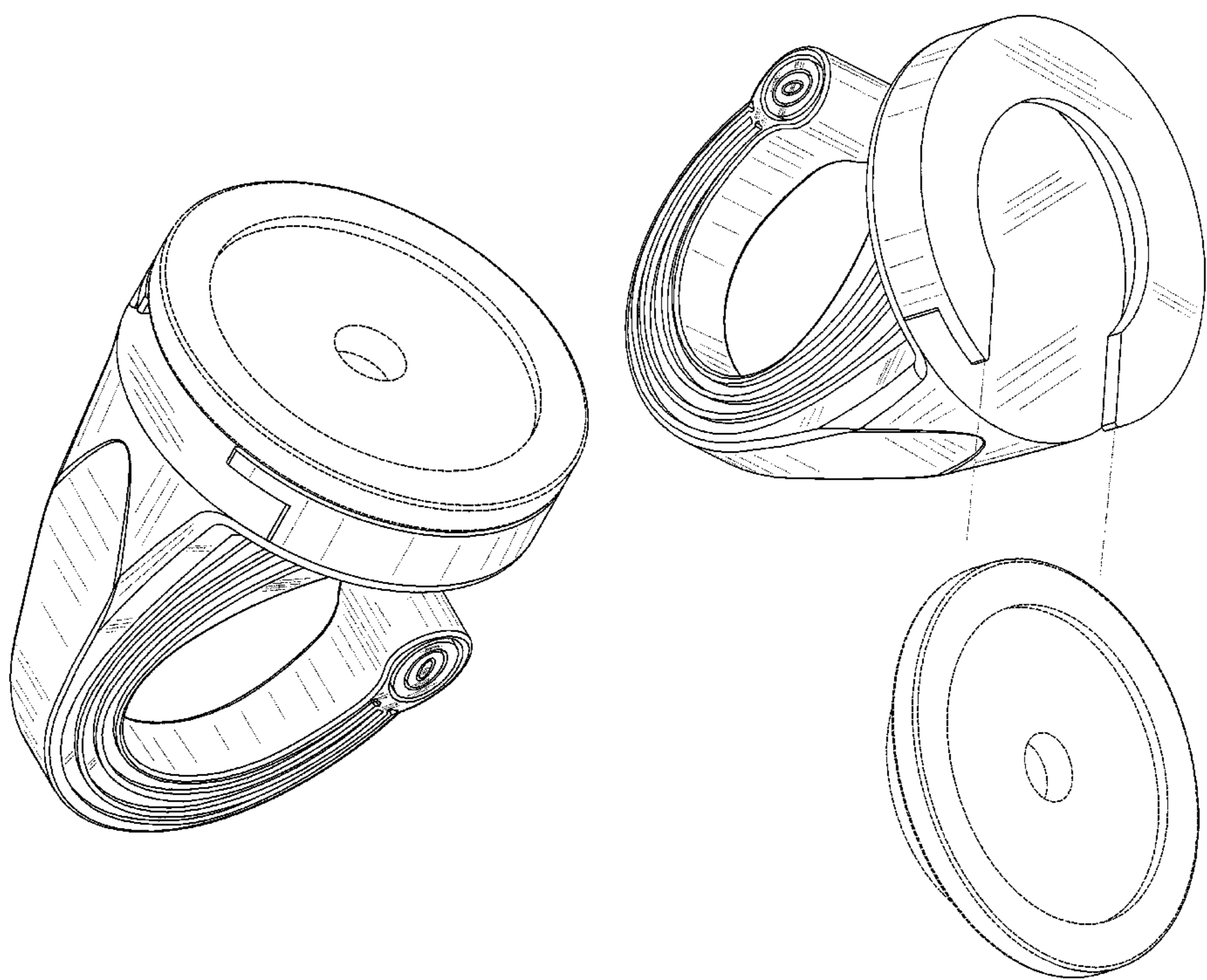
(56) **References Cited**
U.S. PATENT DOCUMENTS
D249,327 S * 9/1978 Gaines D8/367
D254,707 S * 4/1980 Einhorn D8/367
D259,016 S * 4/1981 Einhorn D8/367
D259,700 S * 6/1981 Chasen D8/367
D265,379 S * 7/1982 Einhorn D8/367
D446,110 S * 8/2001 McDuff et al. D8/367

D495,945 S * 9/2004 Fahy et al. D8/368
7,219,868 B2 * 5/2007 Marler et al. 248/304
7,234,672 B1 * 6/2007 Osterholt et al. 248/304
* cited by examiner
Primary Examiner — Cynthia Underwood
(74) *Attorney, Agent, or Firm* — Israel Nissenbaum

(57) **CLAIM**
The ornamental design for a swivelable ceiling hook, as shown and described.

DESCRIPTION
FIG. 1 shows a left side view of a swivelable ceiling hook as attached to a separable base support element;
FIG. 2 shows a left end view of the swivelable ceiling hook of FIG. 1;
FIG. 3 shows a right side view of the swivelable ceiling hook of FIG. 1;
FIG. 4 shows a top view of the swivelable ceiling hook of FIG. 1;
FIG. 5 shows a right end view of the swivelable ceiling hook of FIG. 1;
FIG. 6 shows a bottom view of the swivelable ceiling hook of FIG. 1;
FIG. 7 shows a rear right side perspective view of the swivelable ceiling hook in an upright position; and,
FIG. 8 shows a perspective view of the swivelable ceiling hook, with the dashed line showing removal and/or insertion of the separable base support element.
The broken lines represent the separable base support of the swivelable ceiling hook and form no part of the claim.

1 Claim, 8 Drawing Sheets



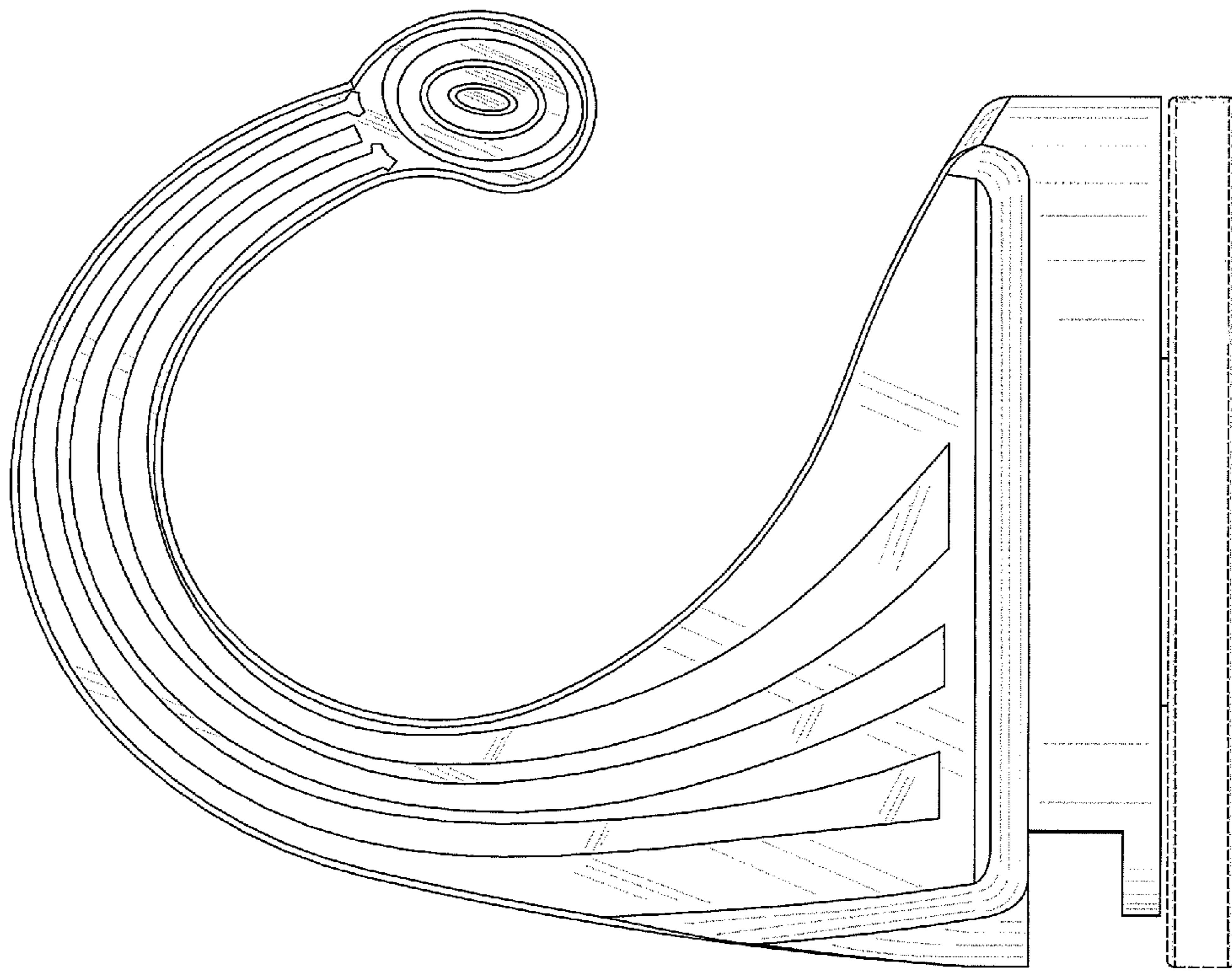


FIG. 1

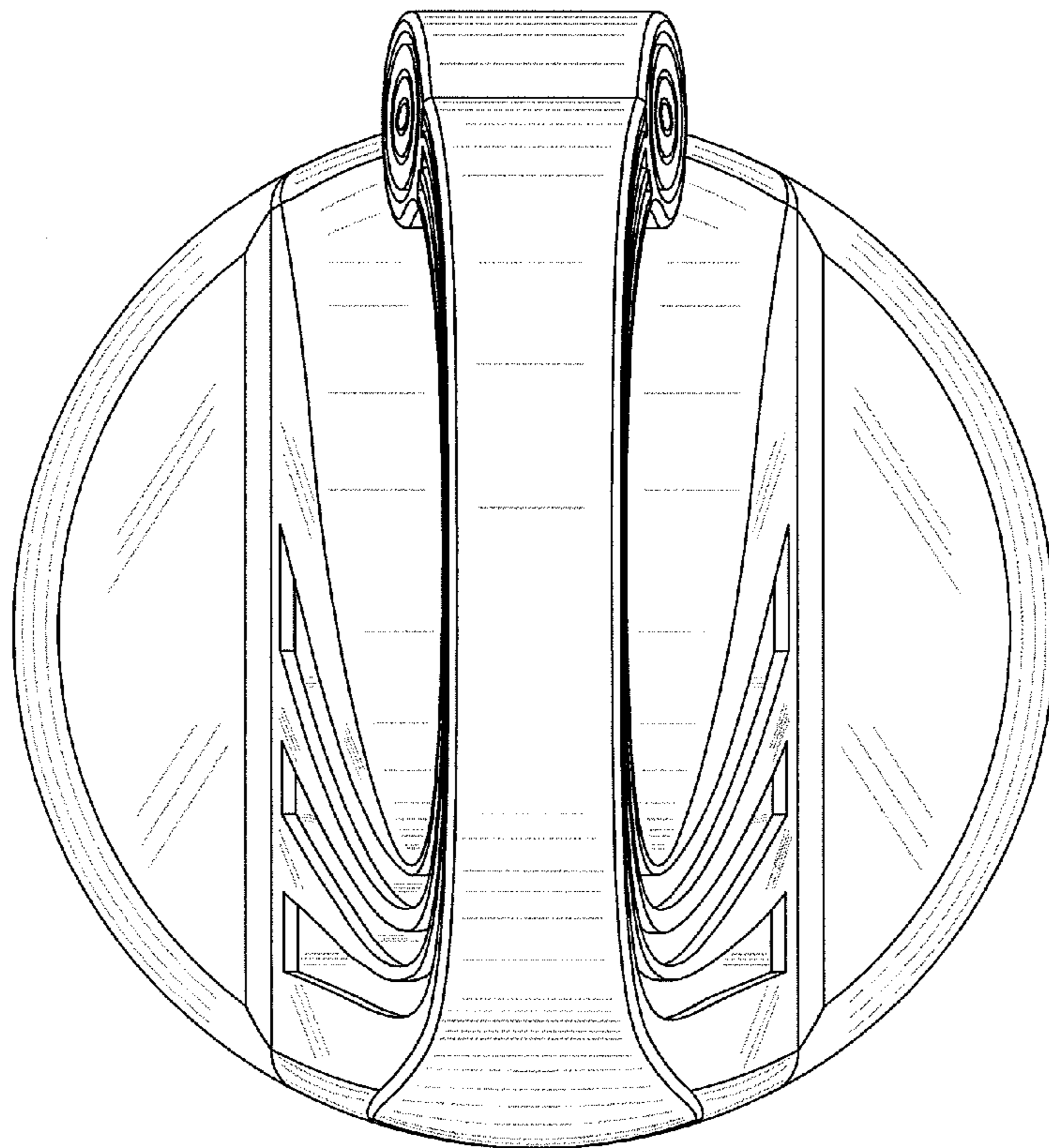


FIG. 2

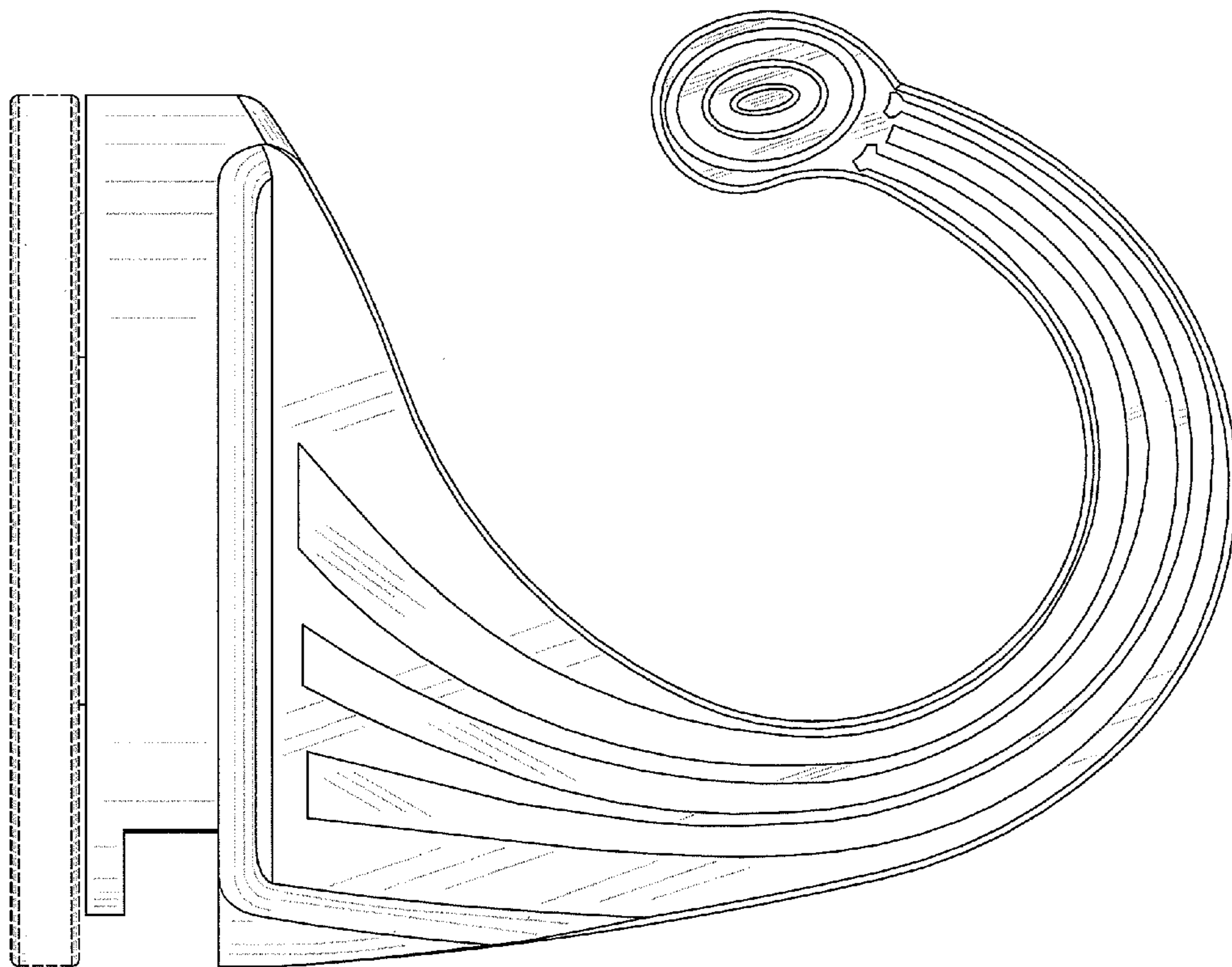


FIG. 3

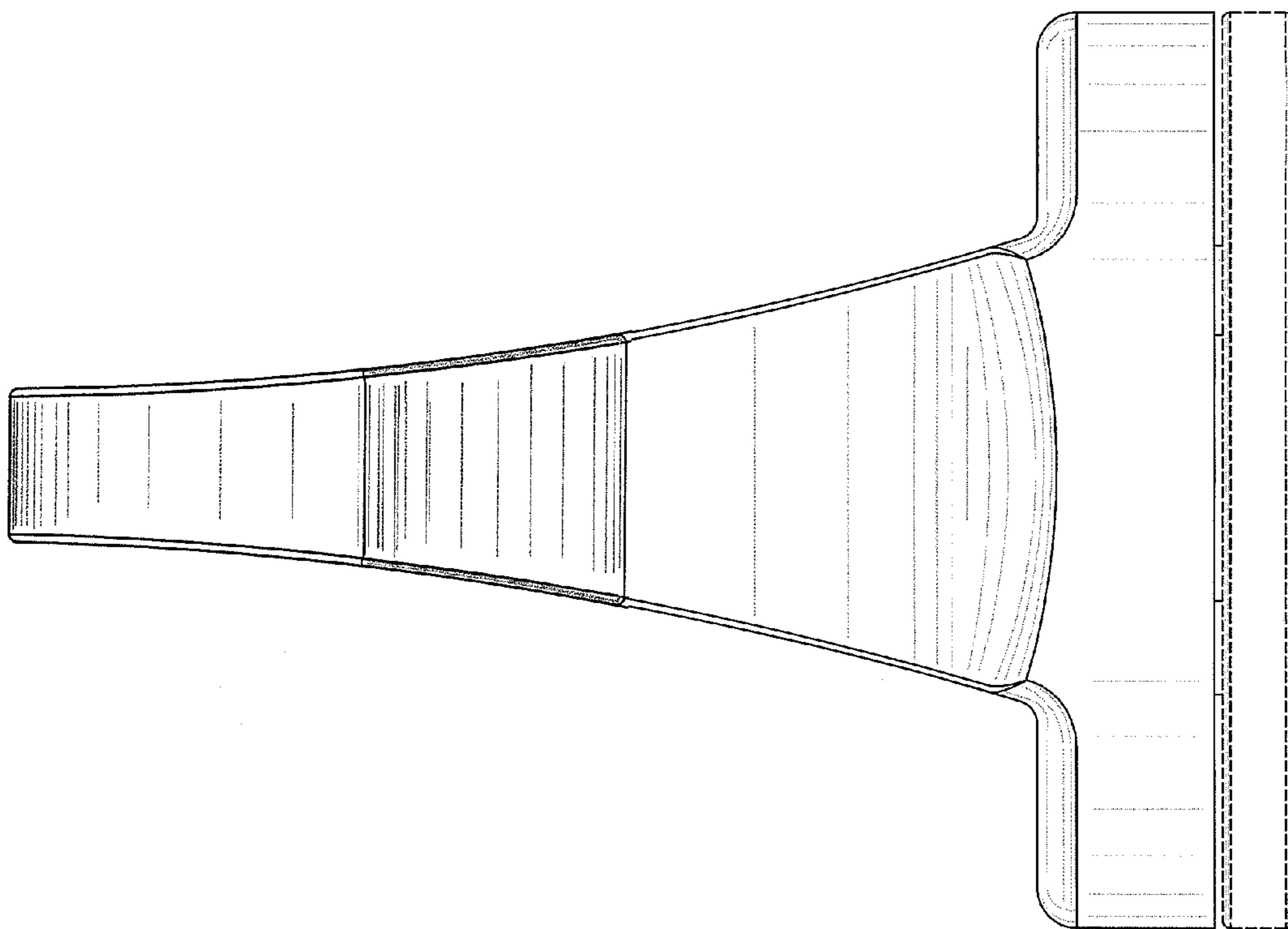


FIG. 4

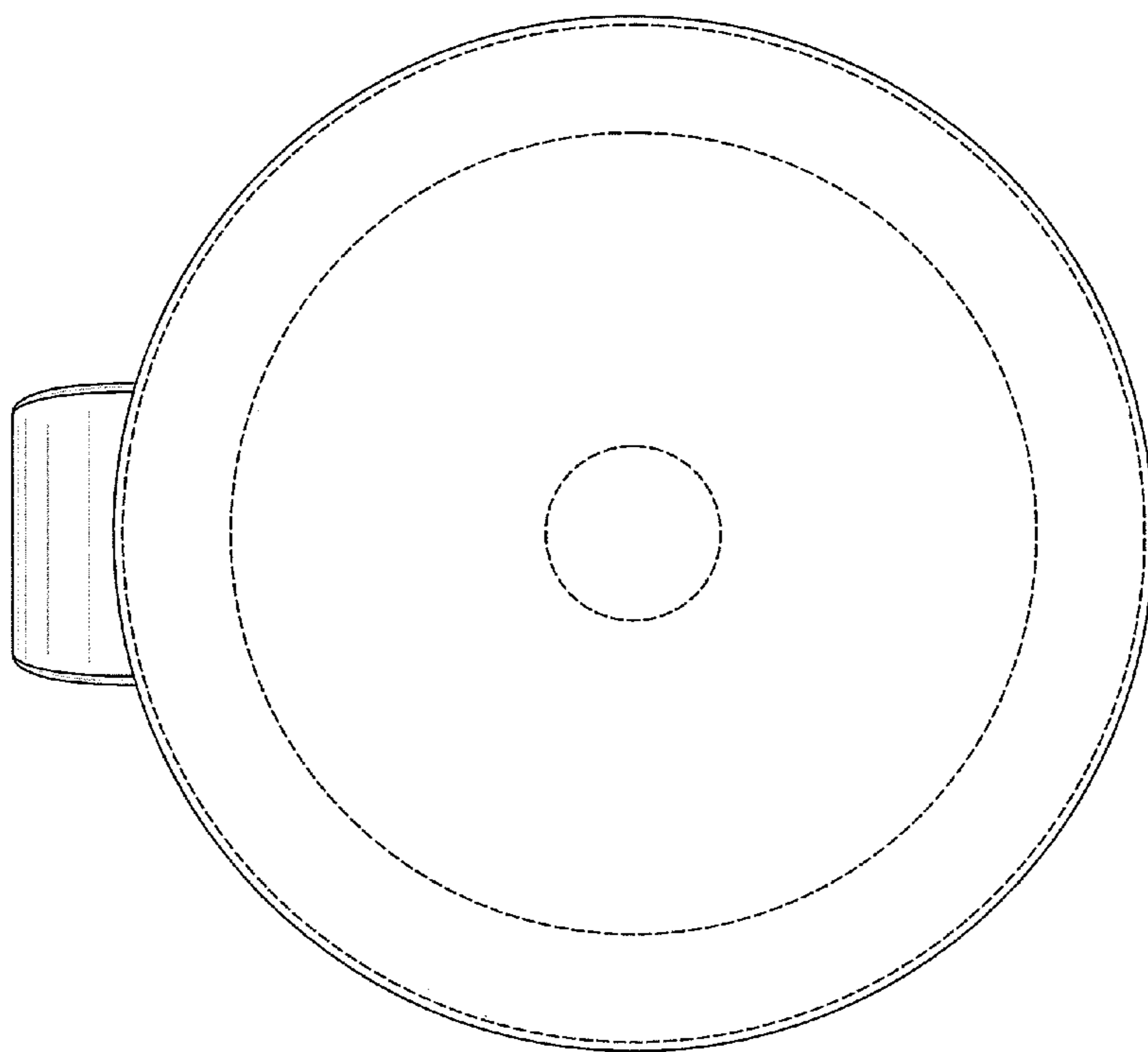


FIG. 5

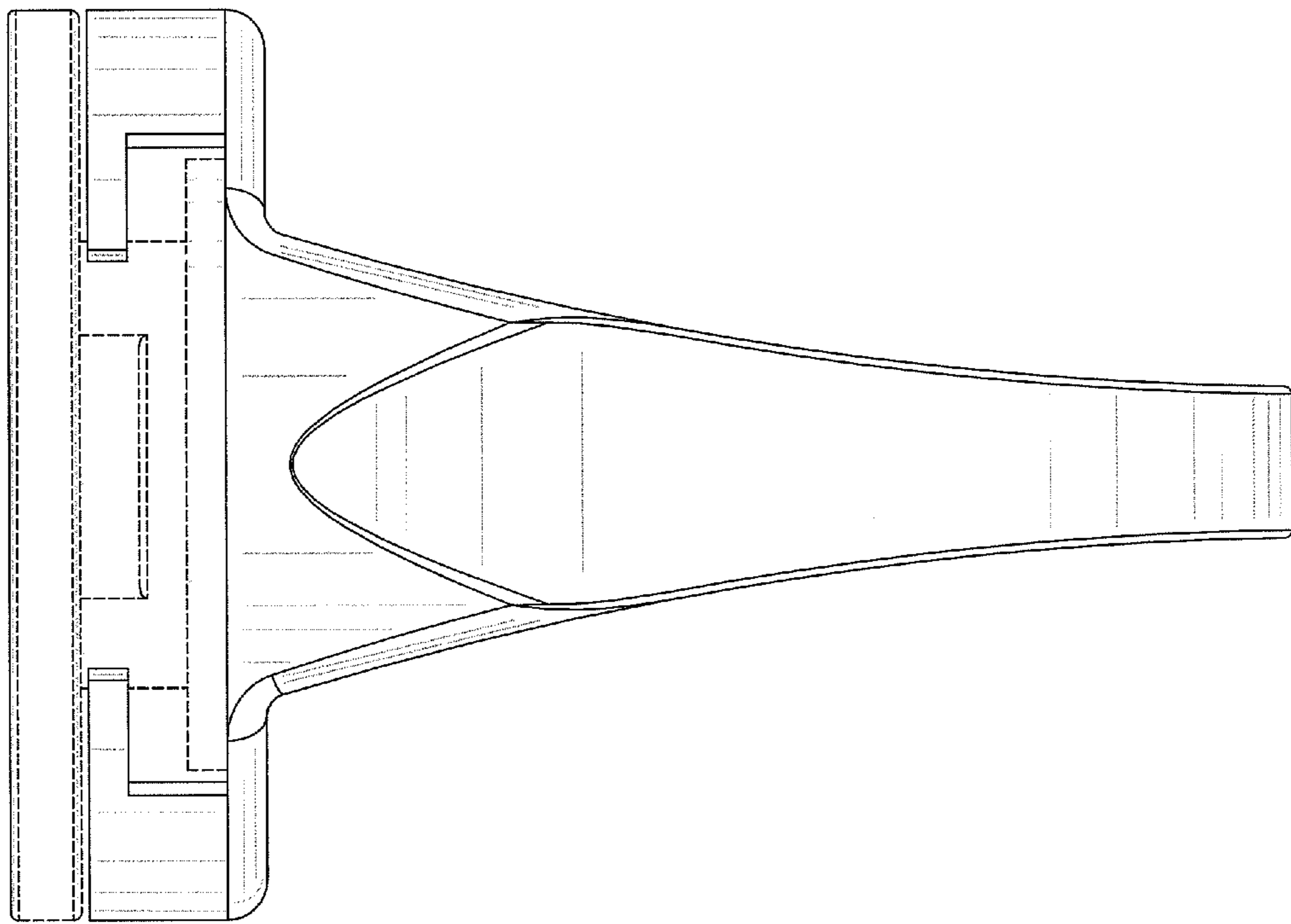


FIG. 6

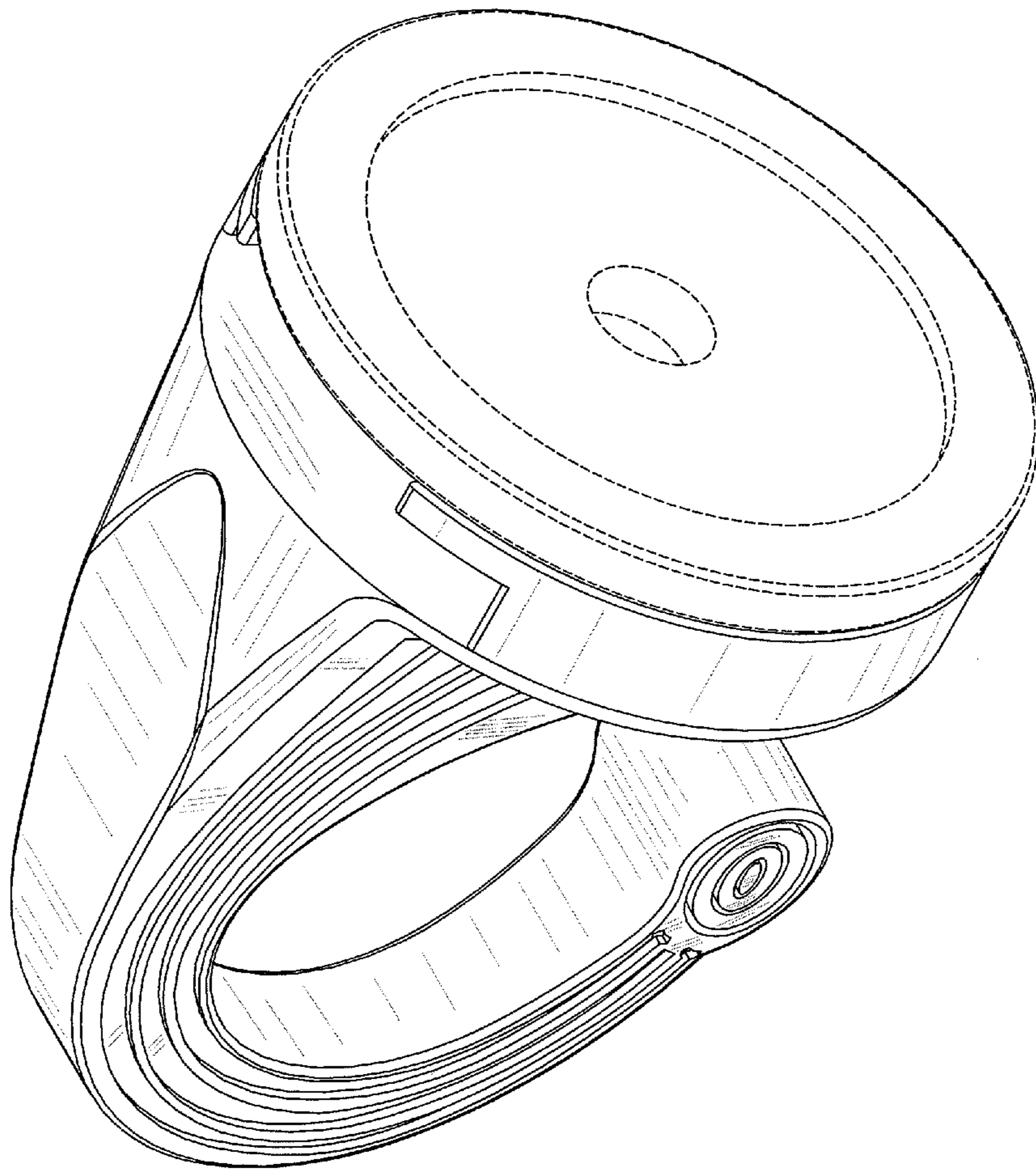


FIG. 7

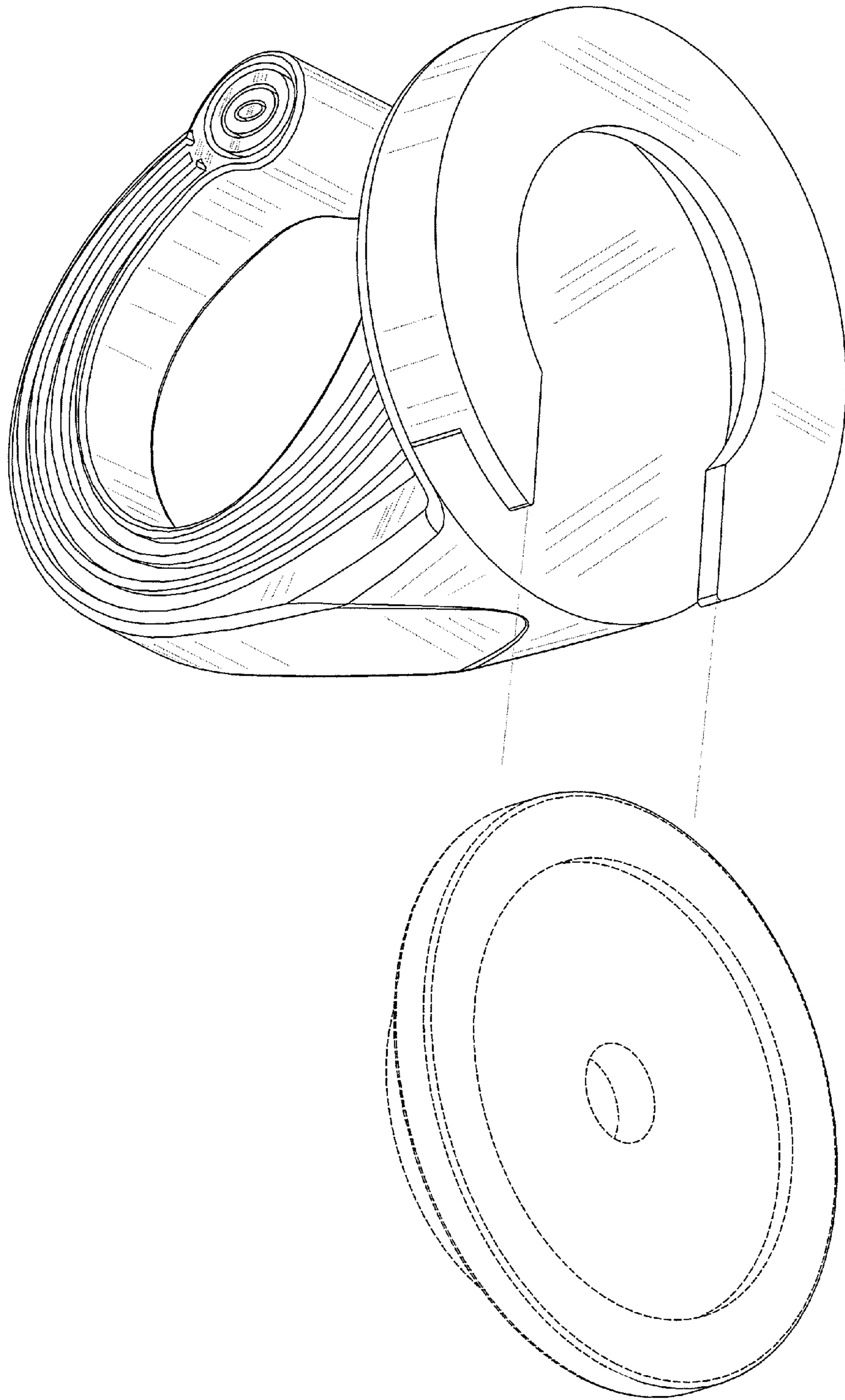


FIG. 8