



US00D650656S

(12) **United States Design Patent**
Hsu

(10) **Patent No.:** **US D650,656 S**

(45) **Date of Patent:** **** Dec. 20, 2011**

(54) **CABLE ORGANIZING DEVICE**

(76) Inventor: **Hsiu Li Hsu, I Ian (TW)**

(**) Term: **14 Years**

(21) Appl. No.: **29/373,767**

(22) Filed: **May 19, 2011**

(51) **LOC (9) Cl.** **08-05**

(52) **U.S. Cl.** **D8/356**

(58) **Field of Classification Search** D8/356,
D8/354, 349, 330, 331, 383; 439/501; 70/421,
70/371, 369, 208; D22/108; D11/216
See application file for complete search history.

6,462,275	B1 *	10/2002	Daoud	174/654
D494,043	S *	8/2004	Neil	D8/356
D508,199	S *	8/2005	Winig et al.	D8/356
D537,709	S *	3/2007	Thorner	D8/396
D546,920	S *	7/2007	Fulkerson	D23/233
D636,205	S *	4/2011	Chou	D6/580
D644,917	S *	9/2011	Lee	D8/356

* cited by examiner

Primary Examiner — Cynthia Underwood

(74) *Attorney, Agent, or Firm* — Charles E. Baxley

(57) **CLAIM**

The ornamental design for a cable organizing device, as shown and described.

(56) **References Cited**

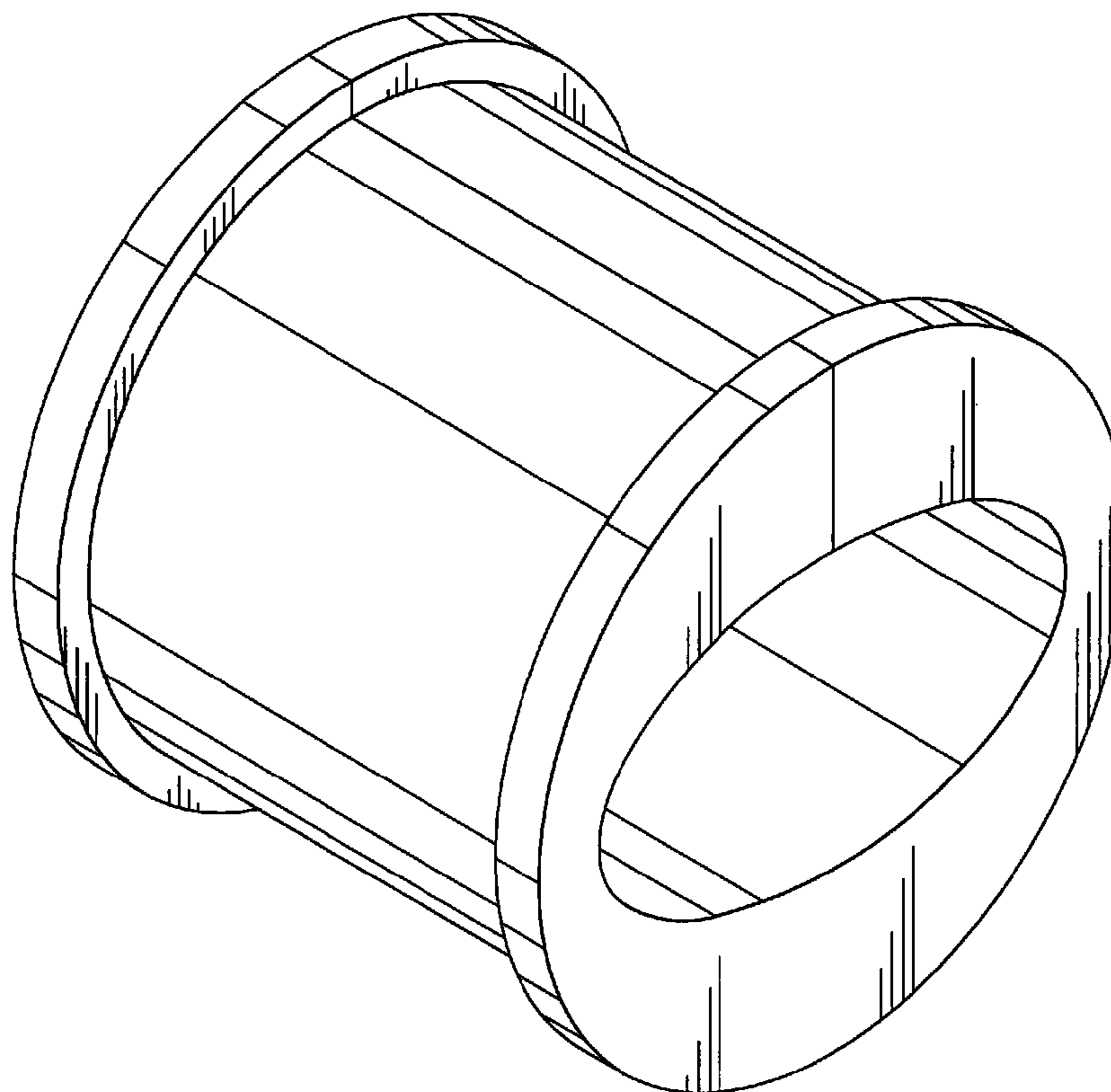
U.S. PATENT DOCUMENTS

1,532,177	A *	4/1925	Gist	248/89
1,892,157	A *	12/1932	Maier	47/65.7
2,700,847	A *	2/1955	Brasol	47/65.7
3,066,372	A *	12/1962	Parker	403/209
3,137,887	A *	6/1964	Mannino et al.	16/2.1
4,330,005	A *	5/1982	Kjarsgaard	137/355.28
4,481,733	A *	11/1984	Jacobs	47/71
D287,346	S *	12/1986	Bussell	D11/151
4,761,860	A *	8/1988	Krauss	24/713.6
D330,322	S *	10/1992	Wilson	D8/356
D433,544	S *	11/2000	Nesbit-Yontz	D30/161

DESCRIPTION

FIG. 1 is a perspective view of a cable organizing device showing my new design;
FIG. 2 is a front elevational view thereof;
FIG. 3 is a rear elevational view thereof;
FIG. 4 is a top plan view thereof;
FIG. 5 is a bottom plan view thereof;
FIG. 6 is a left side elevational view thereof; and,
FIG. 7 is a right side elevational view thereof.

1 Claim, 4 Drawing Sheets



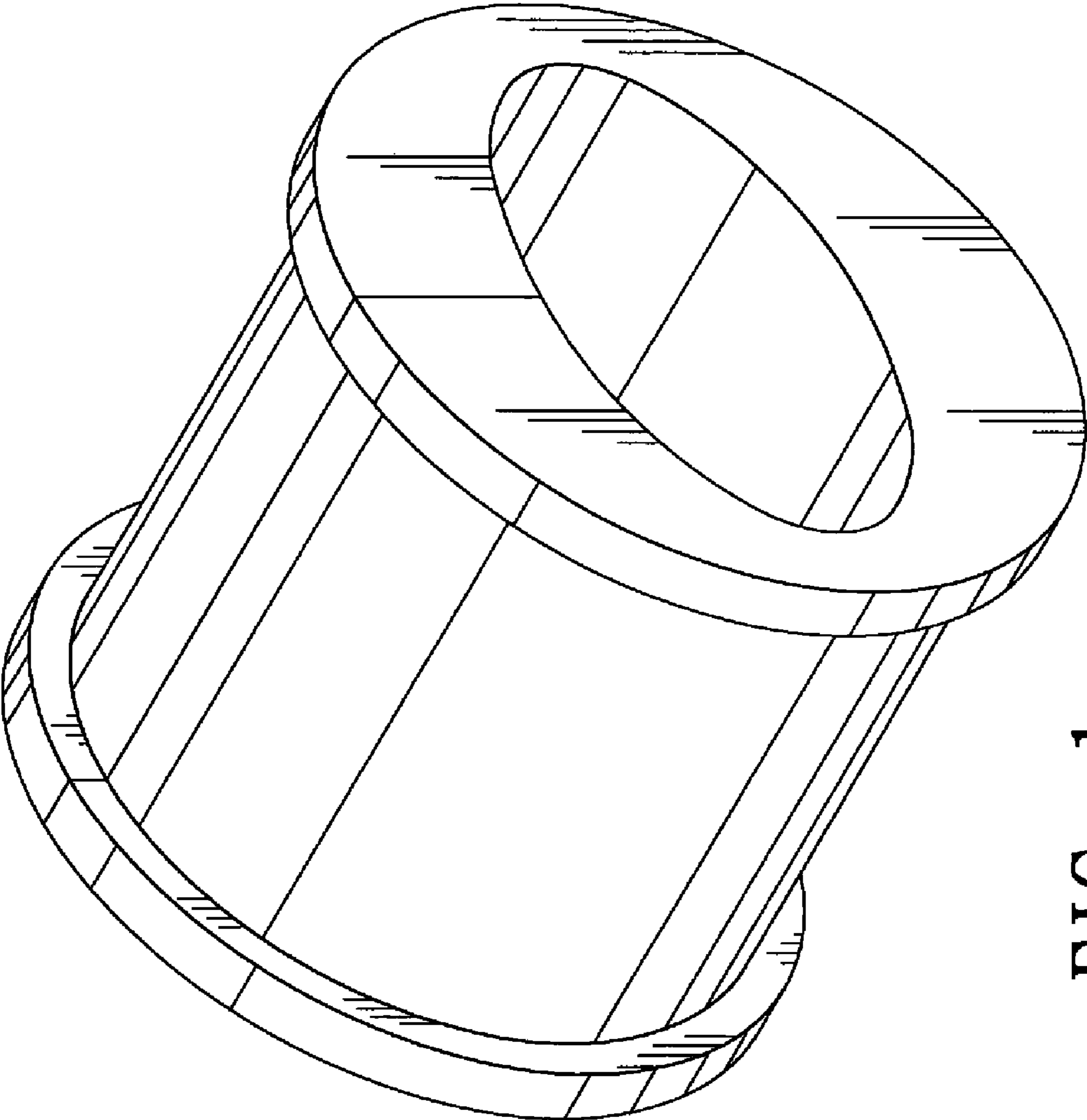


FIG. 1

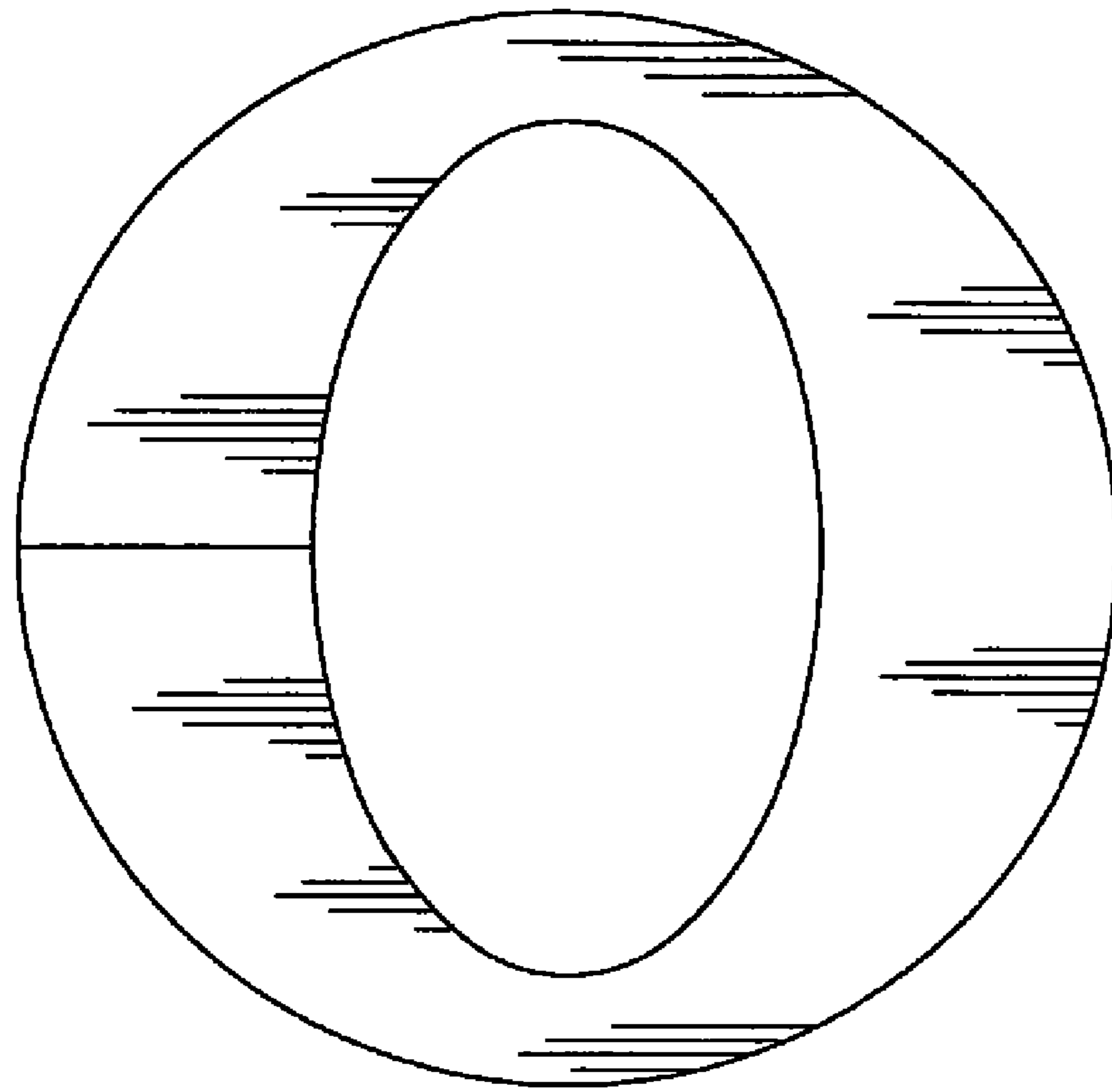


FIG. 2

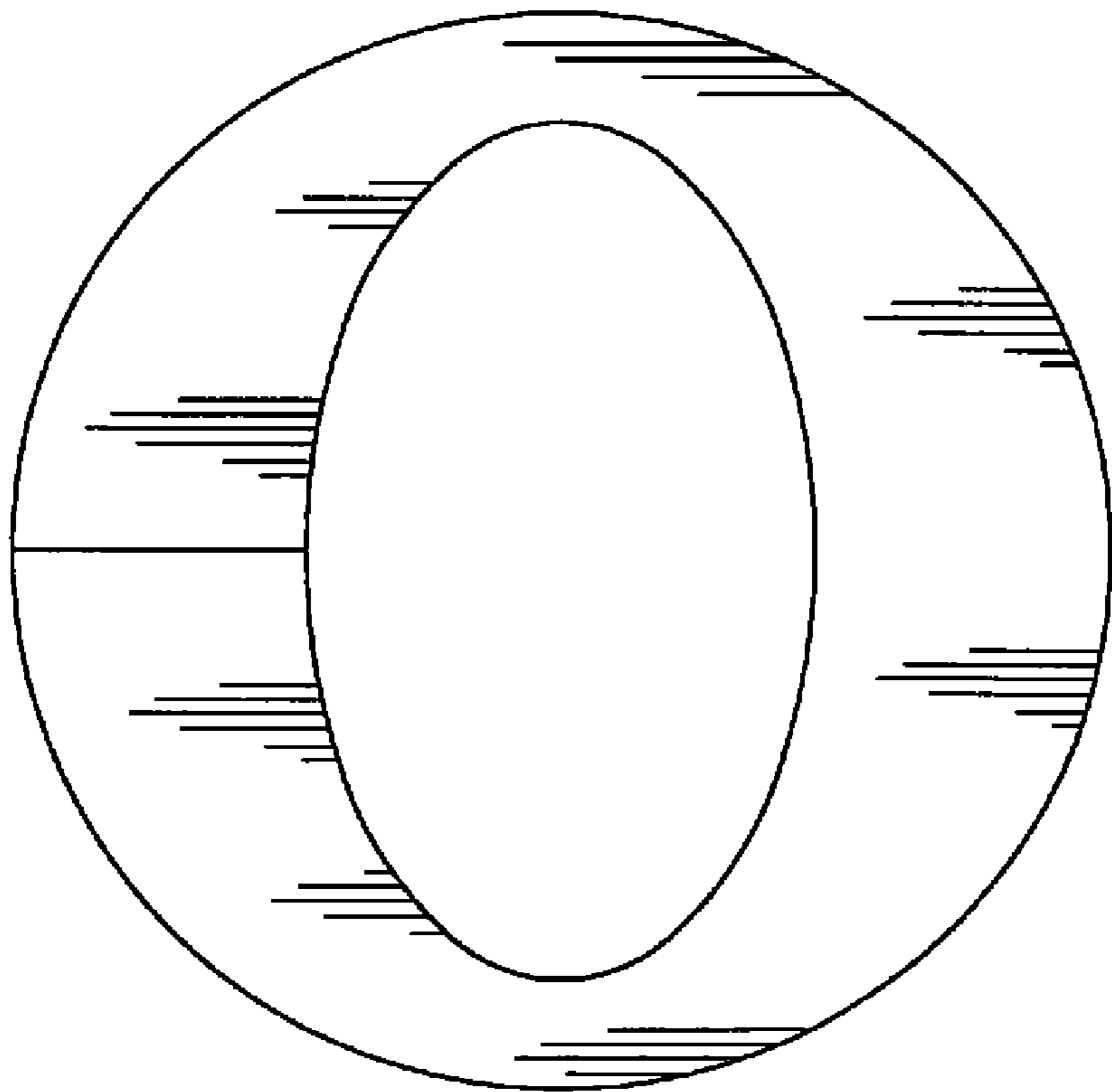


FIG. 3

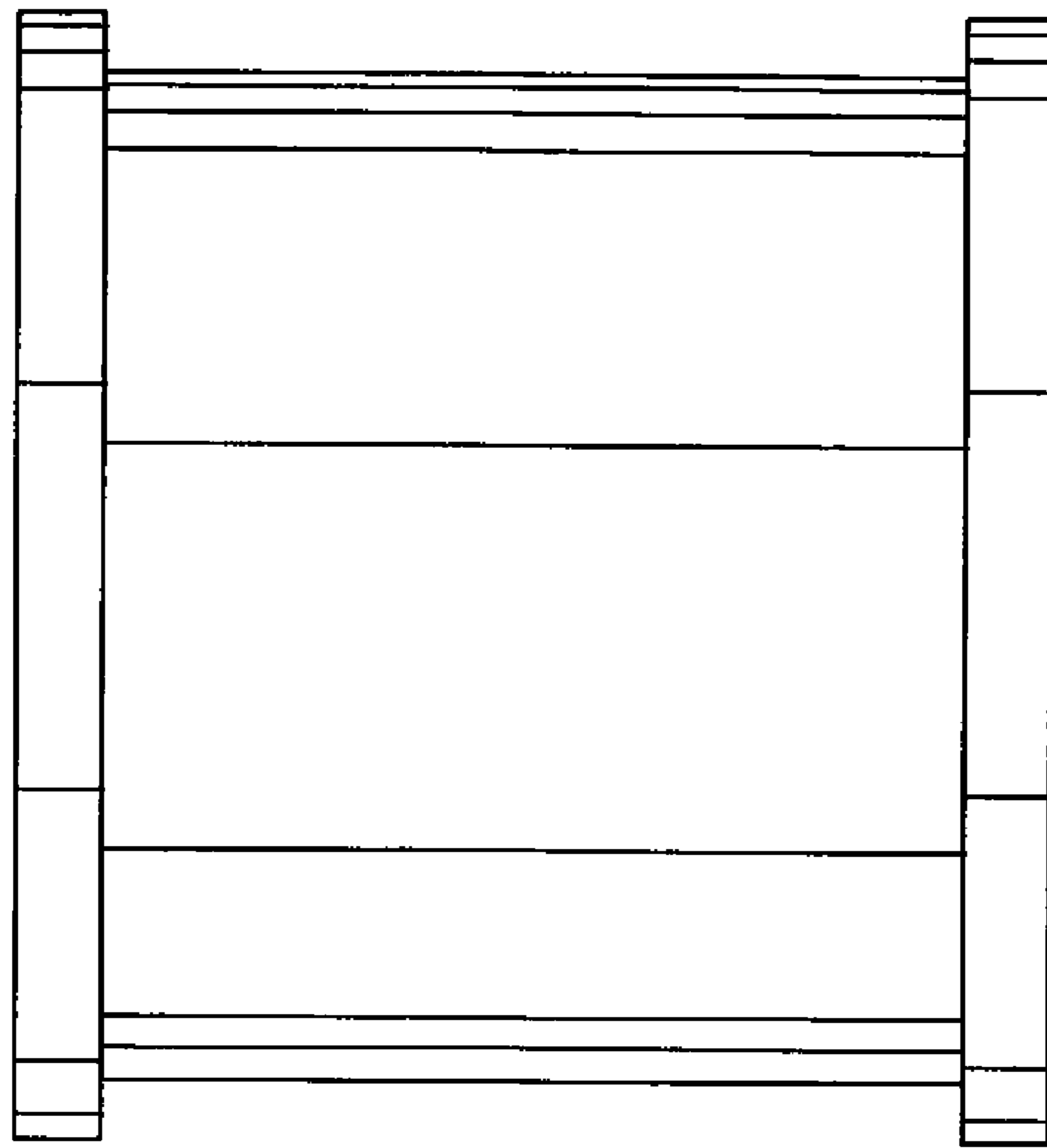


FIG. 5

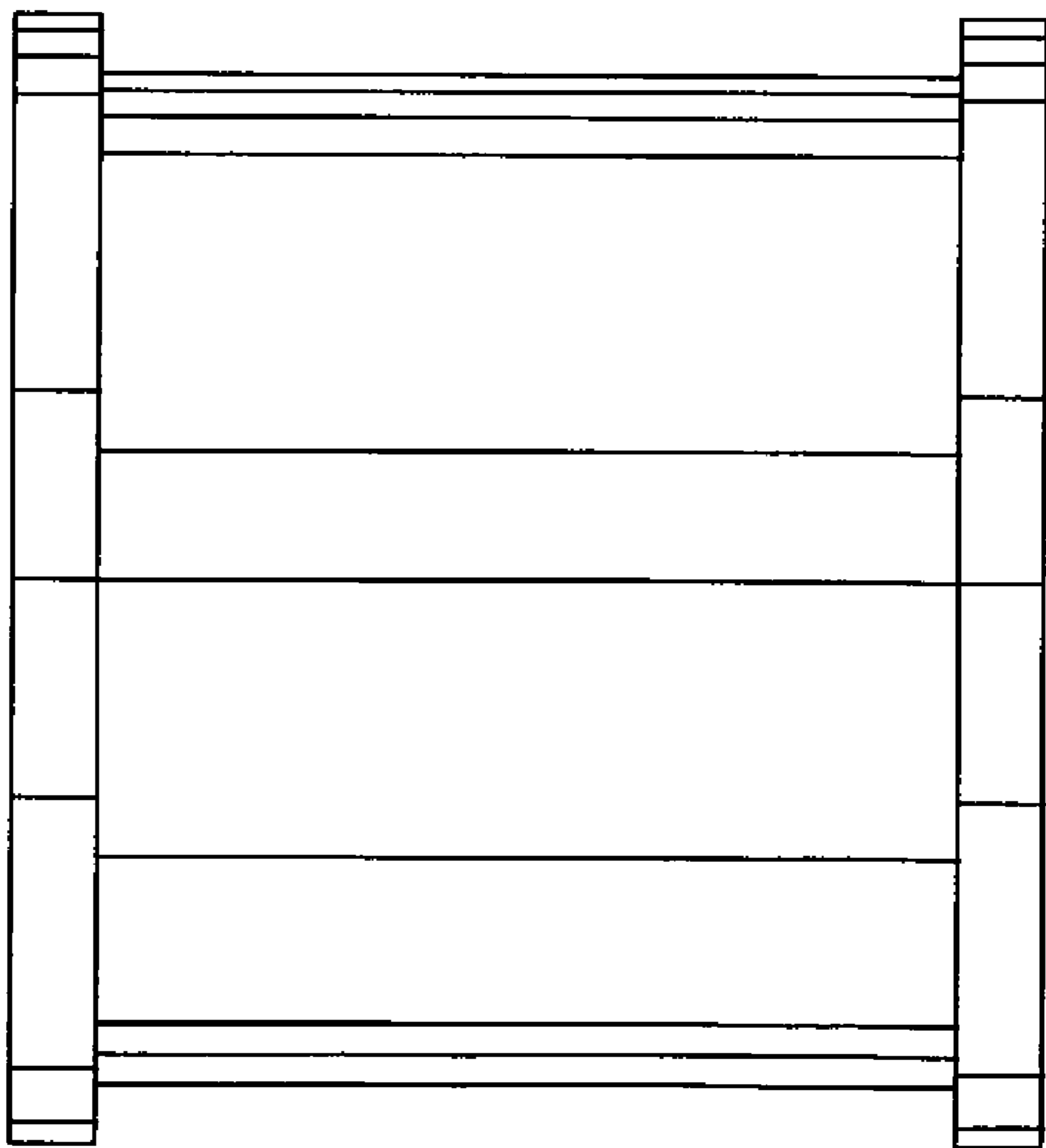


FIG. 4

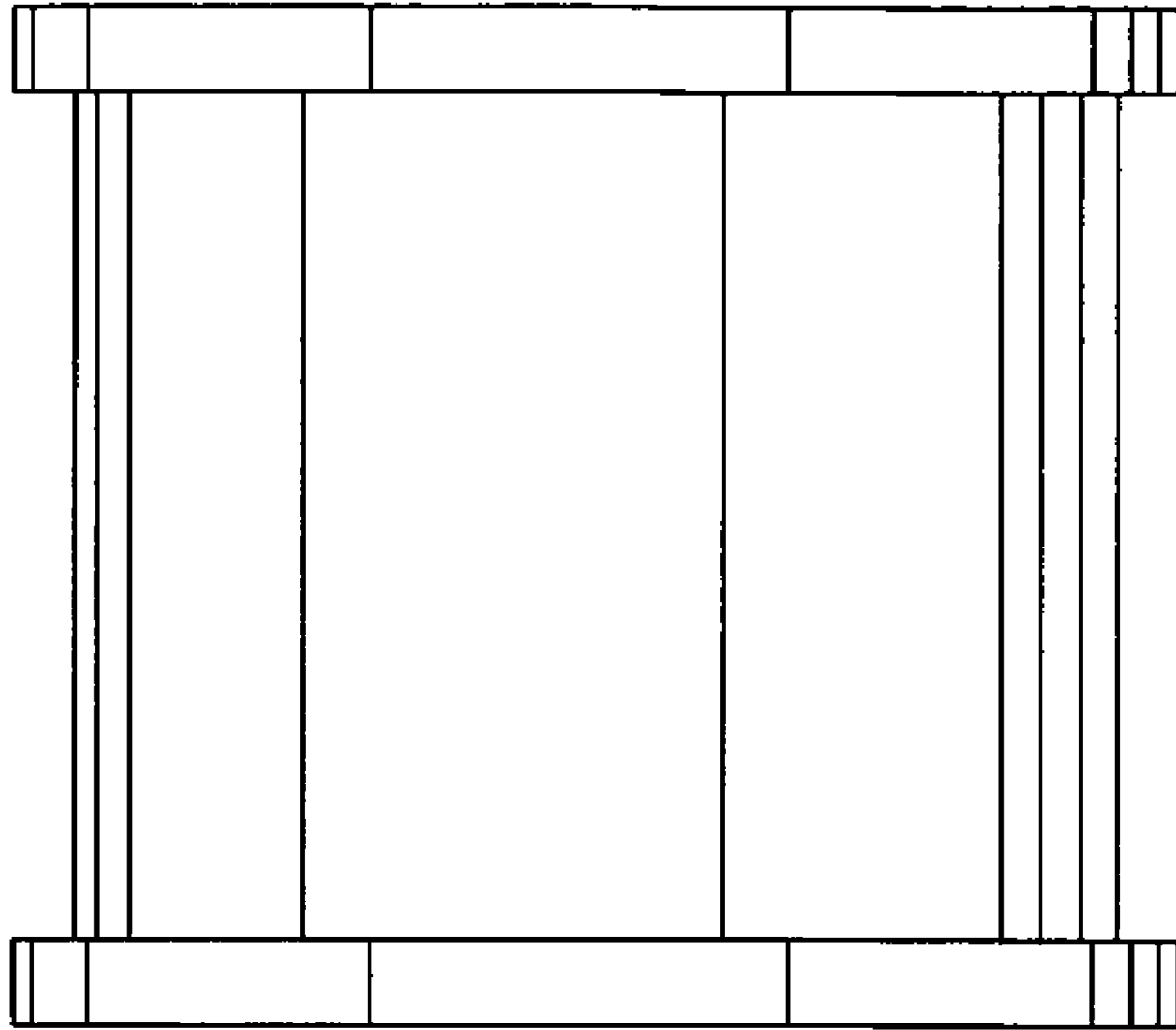


FIG. 7

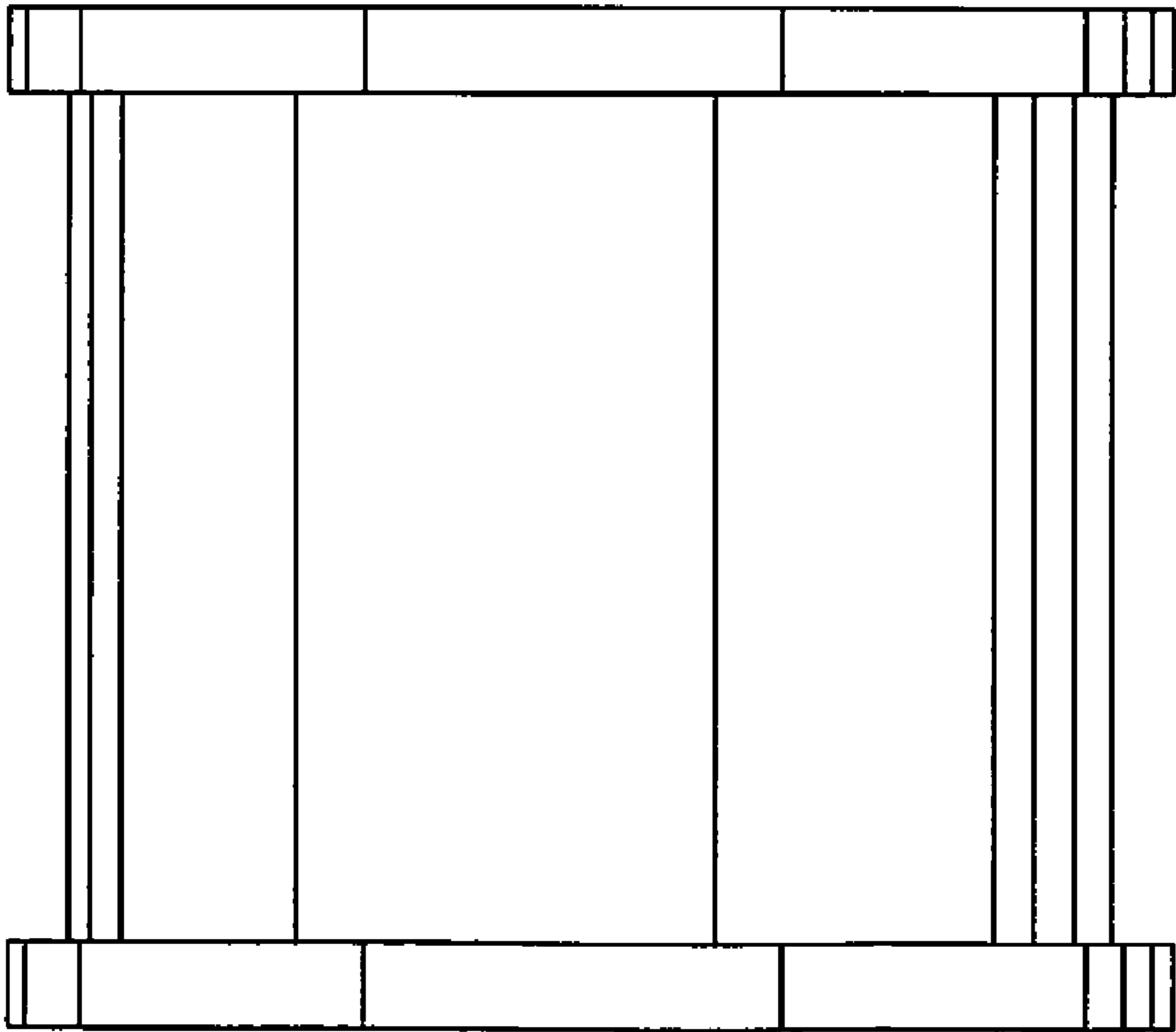


FIG. 6