



US00D650654S

(12) **United States Design Patent**
Fong

(10) **Patent No.:** **US D650,654 S**

(45) **Date of Patent:** **** Dec. 20, 2011**

(54) **THEFT PREVENTION DEVICE**

(75) Inventor: **Gary M. Fong**, Seattle, WA (US)

(73) Assignee: **Gary Fong Photographic, Inc.**,
Kelowna BC (CA)

(**) Term: **14 Years**

(21) Appl. No.: **29/356,163**

(22) Filed: **Feb. 19, 2010**

(51) **LOC (9) Cl.** **08-07**

(52) **U.S. Cl.** **D8/332; D8/330; D8/339**

(58) **Field of Classification Search** **D8/330-348;**
70/14, 57, 57.1, 52, 128, 129, 333 R, 334,
70/416, 429, 430, 158-173; 206/1.5

See application file for complete search history.

(56) **References Cited**

U.S. PATENT DOCUMENTS

4,656,848	A *	4/1987	Rose	70/58
5,194,844	A *	3/1993	Zelda	340/426.11
6,375,071	B1 *	4/2002	Kim	232/47
D499,633	S *	12/2004	Steinberger, Jr.	D8/330
6,931,895	B1 *	8/2005	Ahn	70/57.1
D521,848	S *	5/2006	Anderson	D8/330
D523,732	S *	6/2006	Farrar et al.	D8/346
D588,900	S *	3/2009	Knox	D8/330

7,526,931	B2 *	5/2009	Burdett et al.	70/57.1
7,560,642	B2 *	7/2009	Ygnelzi et al.	174/45 R
D609,076	S *	2/2010	Stevenson et al.	D8/330
7,975,515	B2 *	7/2011	Ygnelzi et al.	70/168

* cited by examiner

Primary Examiner — Prabhakar Deshmukh

(74) *Attorney, Agent, or Firm* — Christie, Parker & Hale, LLP

(57) **CLAIM**

The ornamental design for a theft prevention device, as shown and described.

DESCRIPTION

FIG. 1 is a perspective view of a theft prevention device showing my new design;
 FIG. 2 is a front view thereof;
 FIG. 3 is a left side view thereof, the right side view being a mirror image;
 FIG. 4 is a rear view thereof;
 FIG. 5 is a top view thereof;
 FIG. 6 is a bottom view thereof; and,
 FIG. 7 is an exploded perspective view thereof, shown in an unassembled state.
 Environmental features shown in broken lines are for illustrative purposes only and form no part of the claimed design.

1 Claim, 7 Drawing Sheets

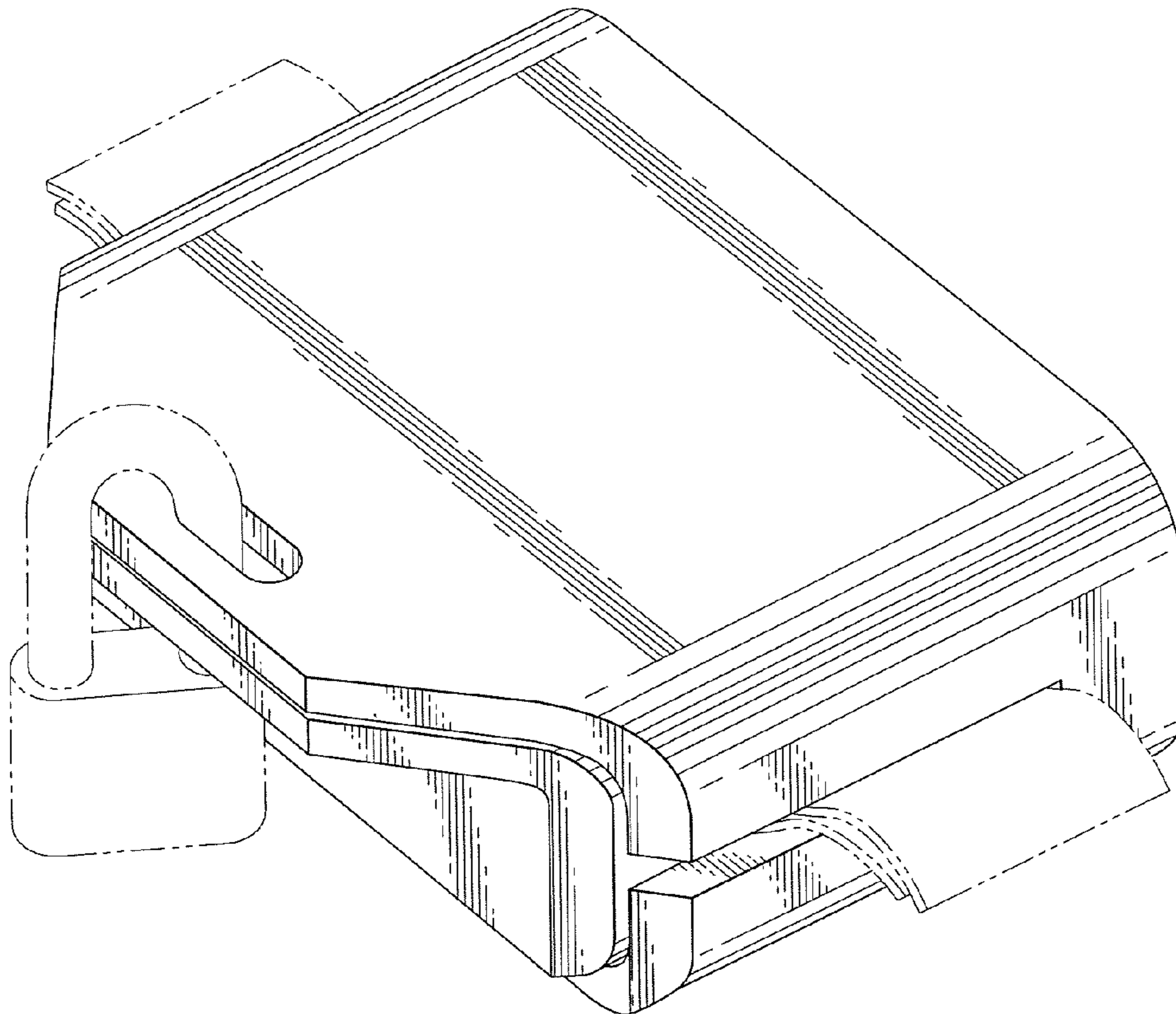


FIG. 1

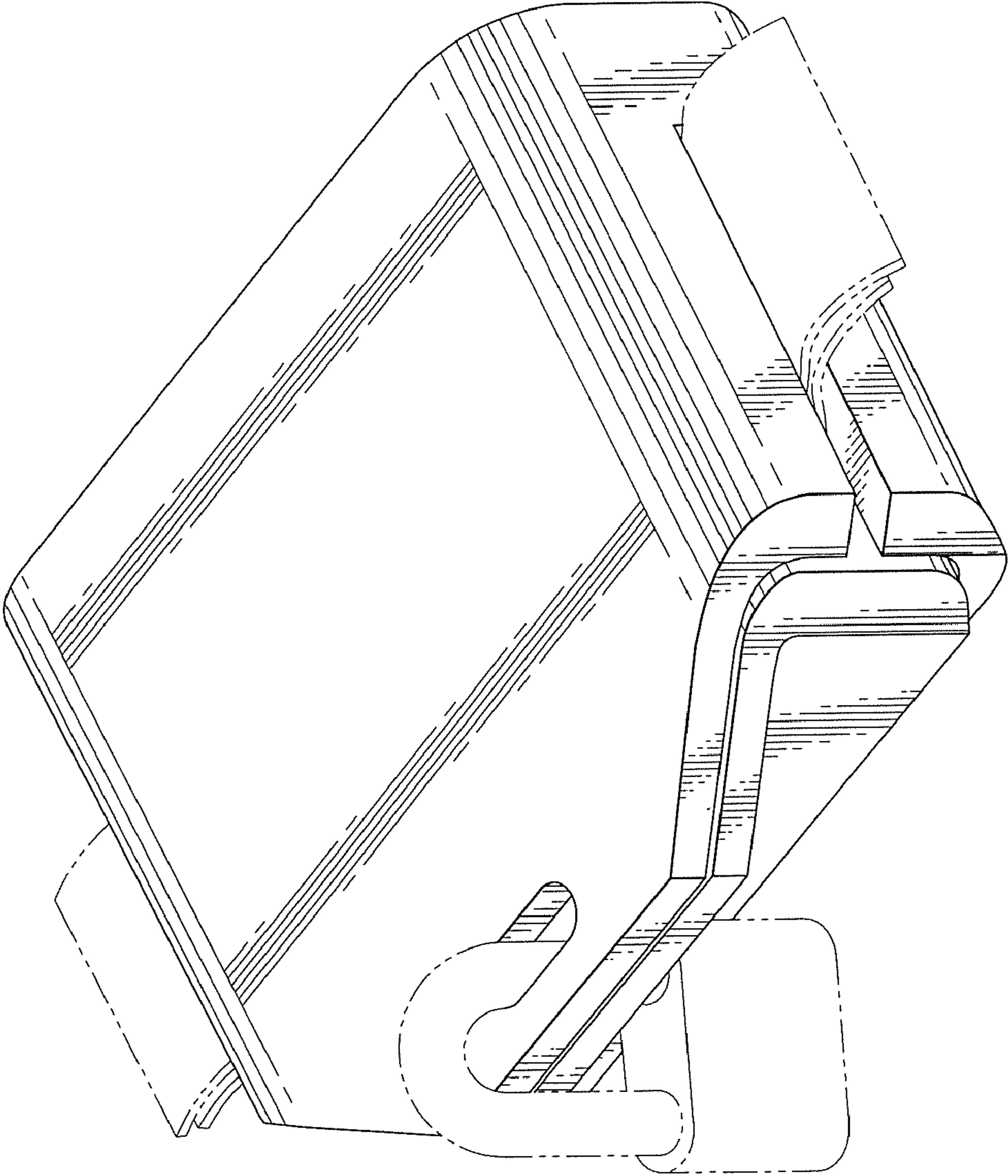


FIG. 2

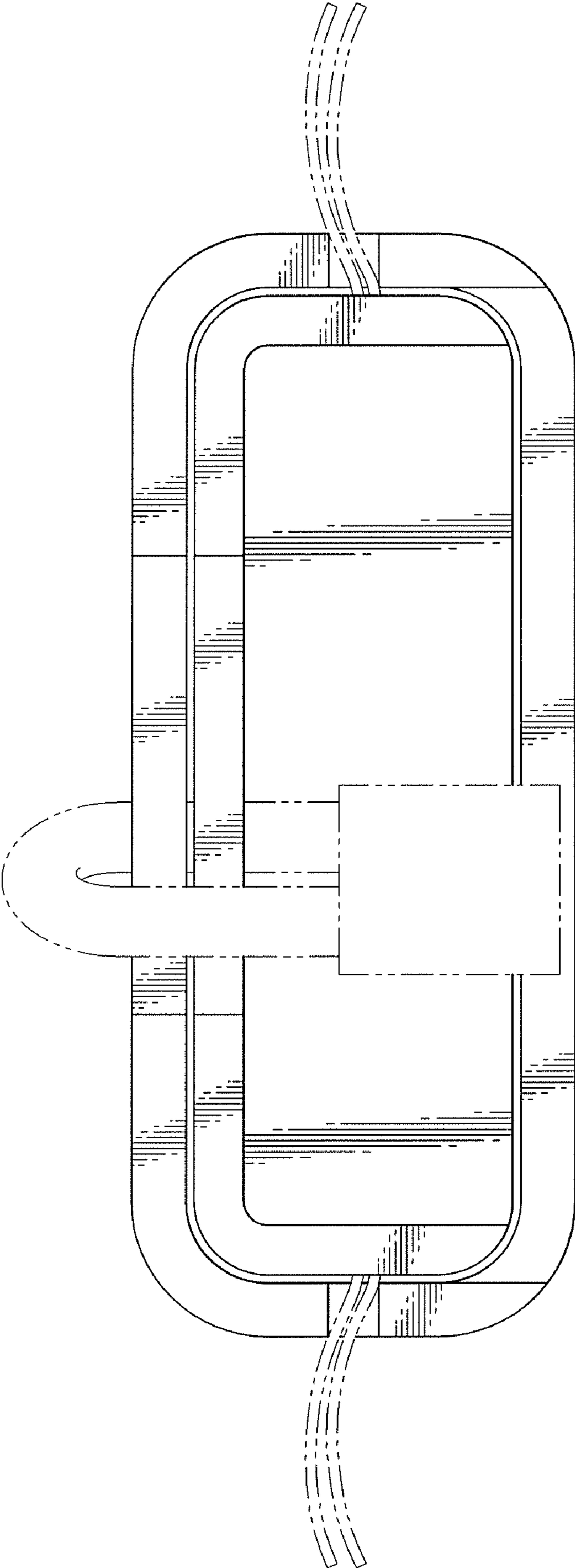


FIG. 3

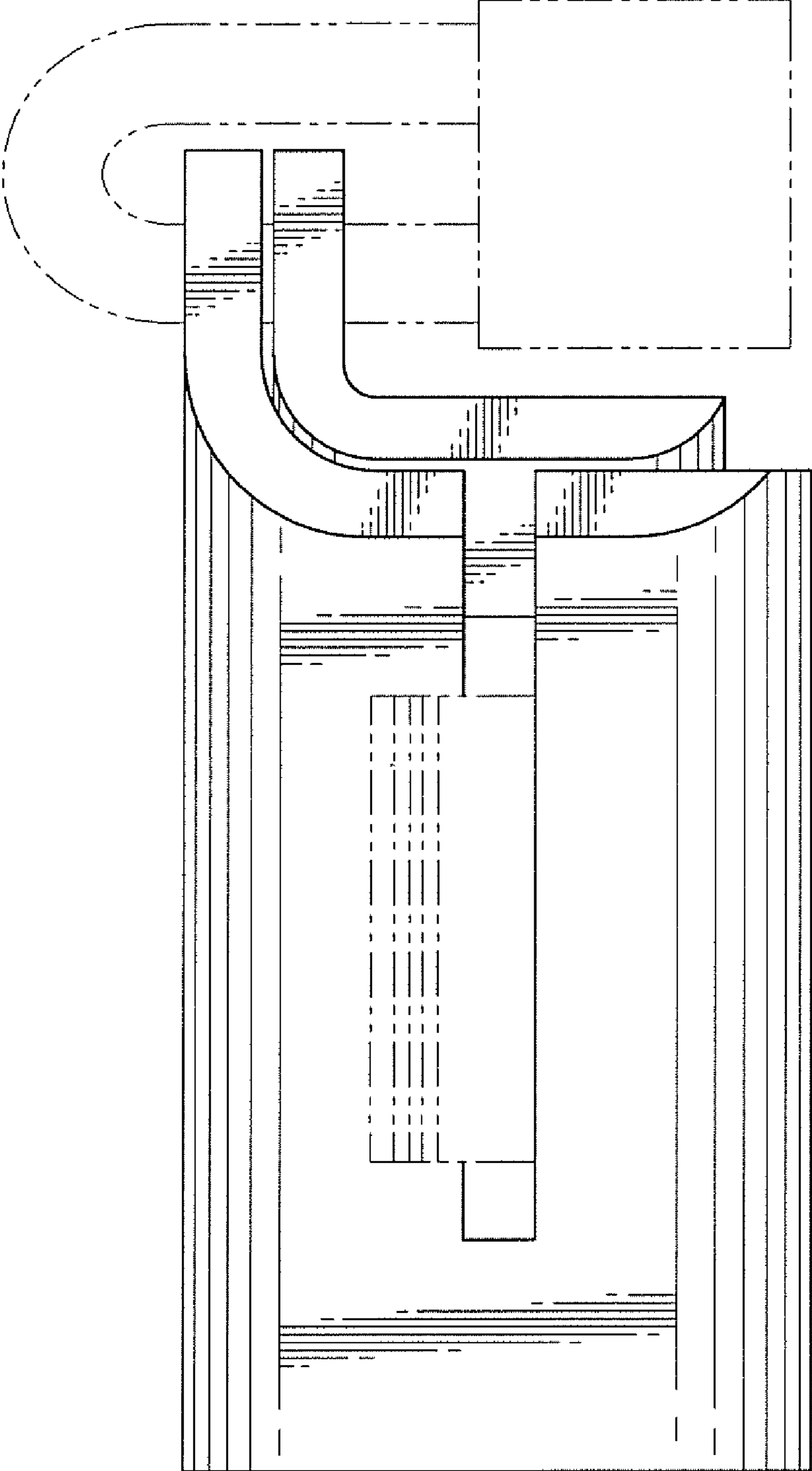


FIG. 4

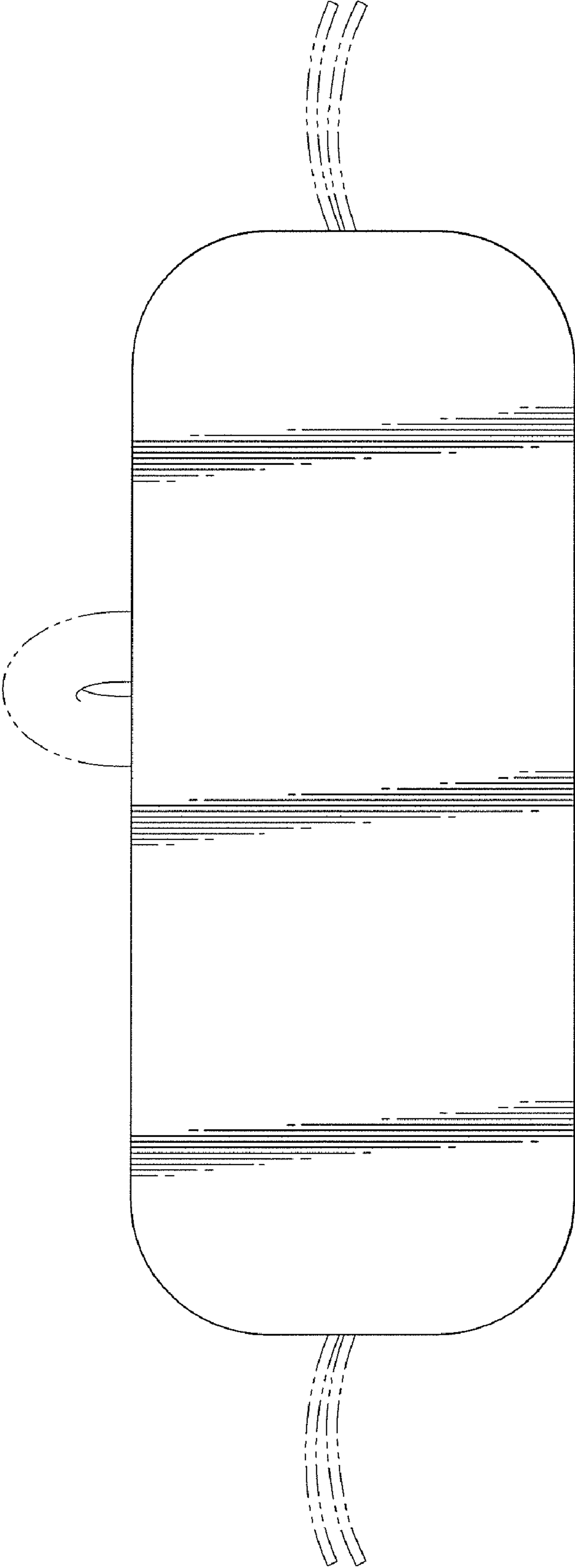


FIG. 5

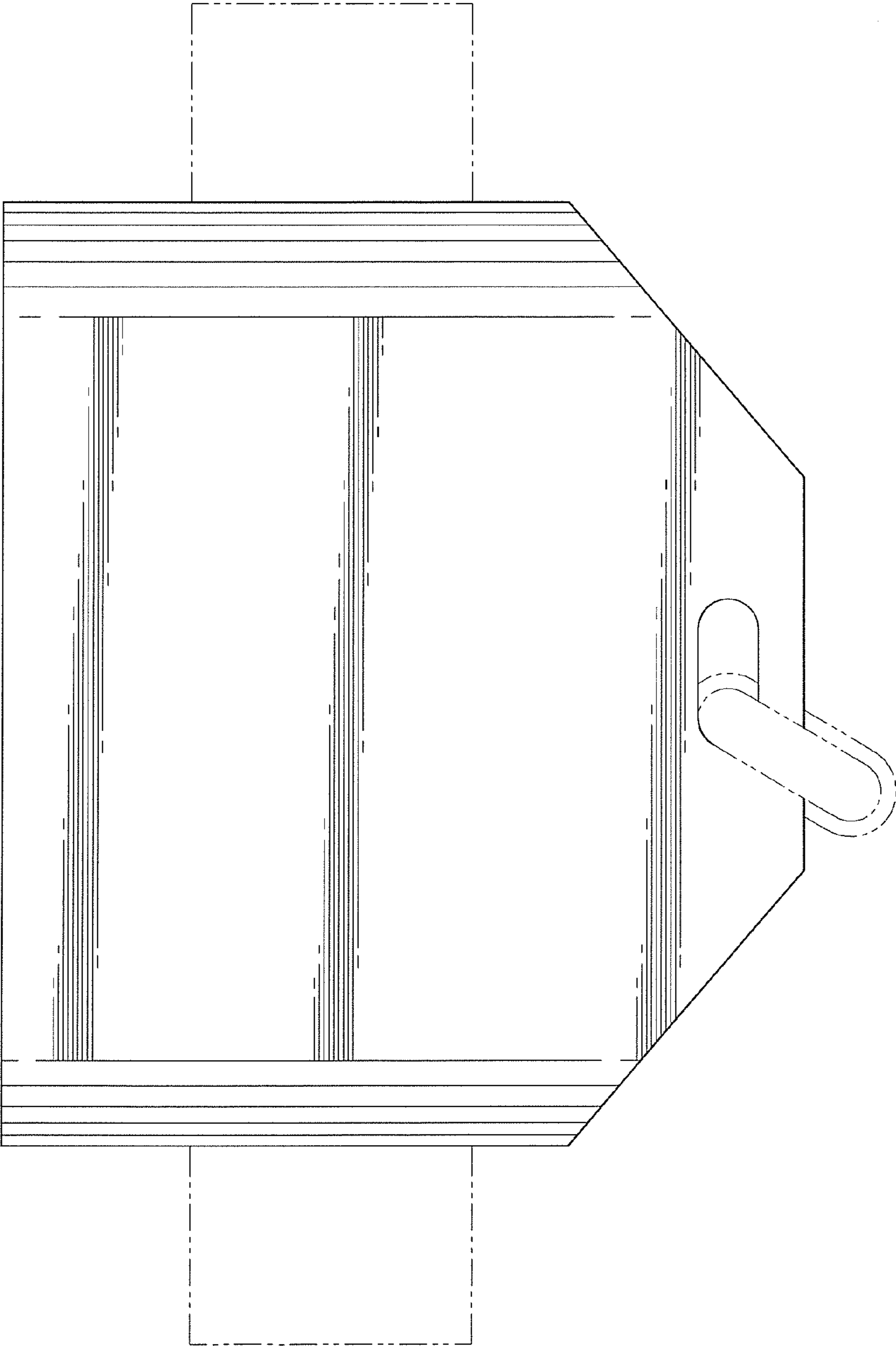
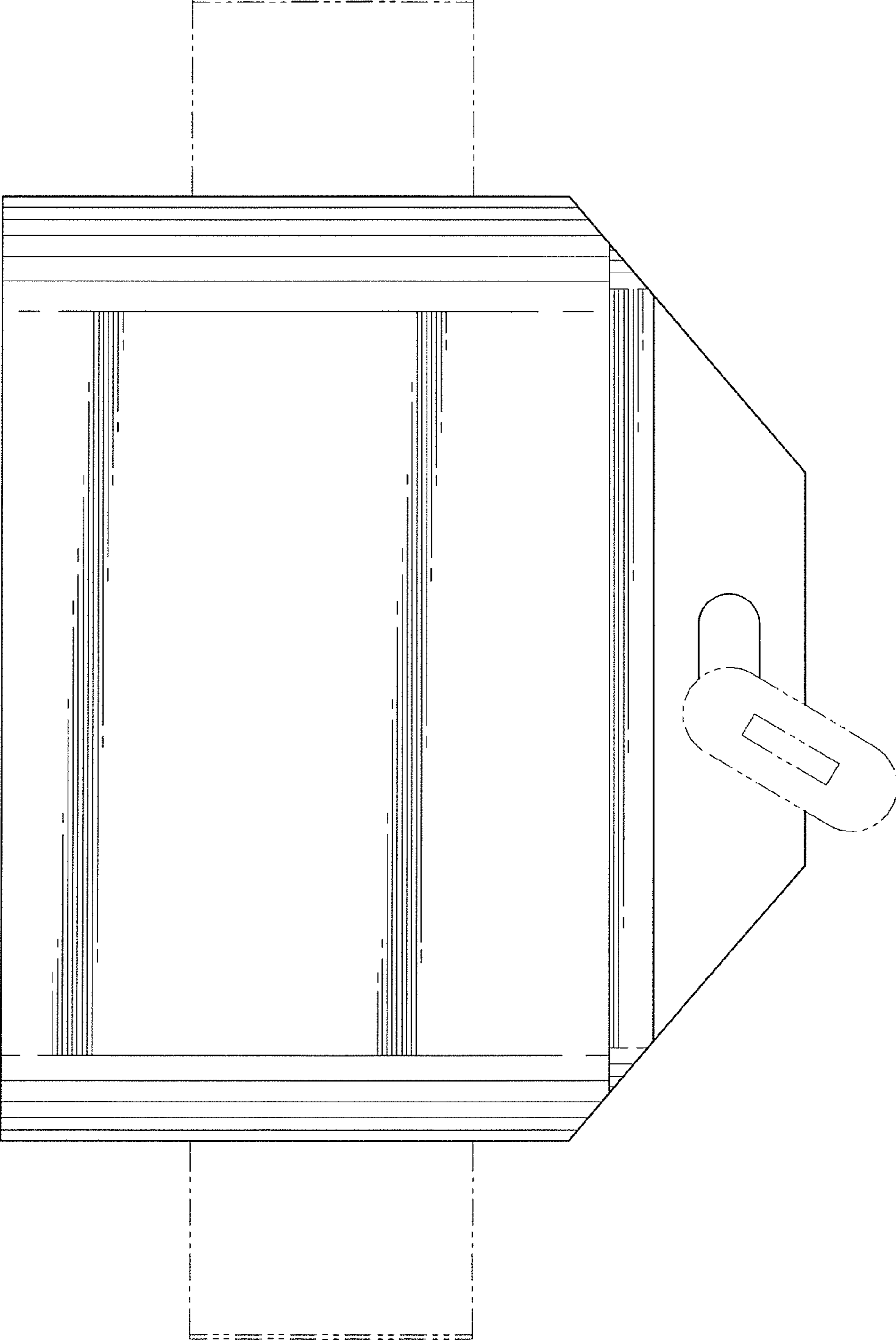


FIG. 6



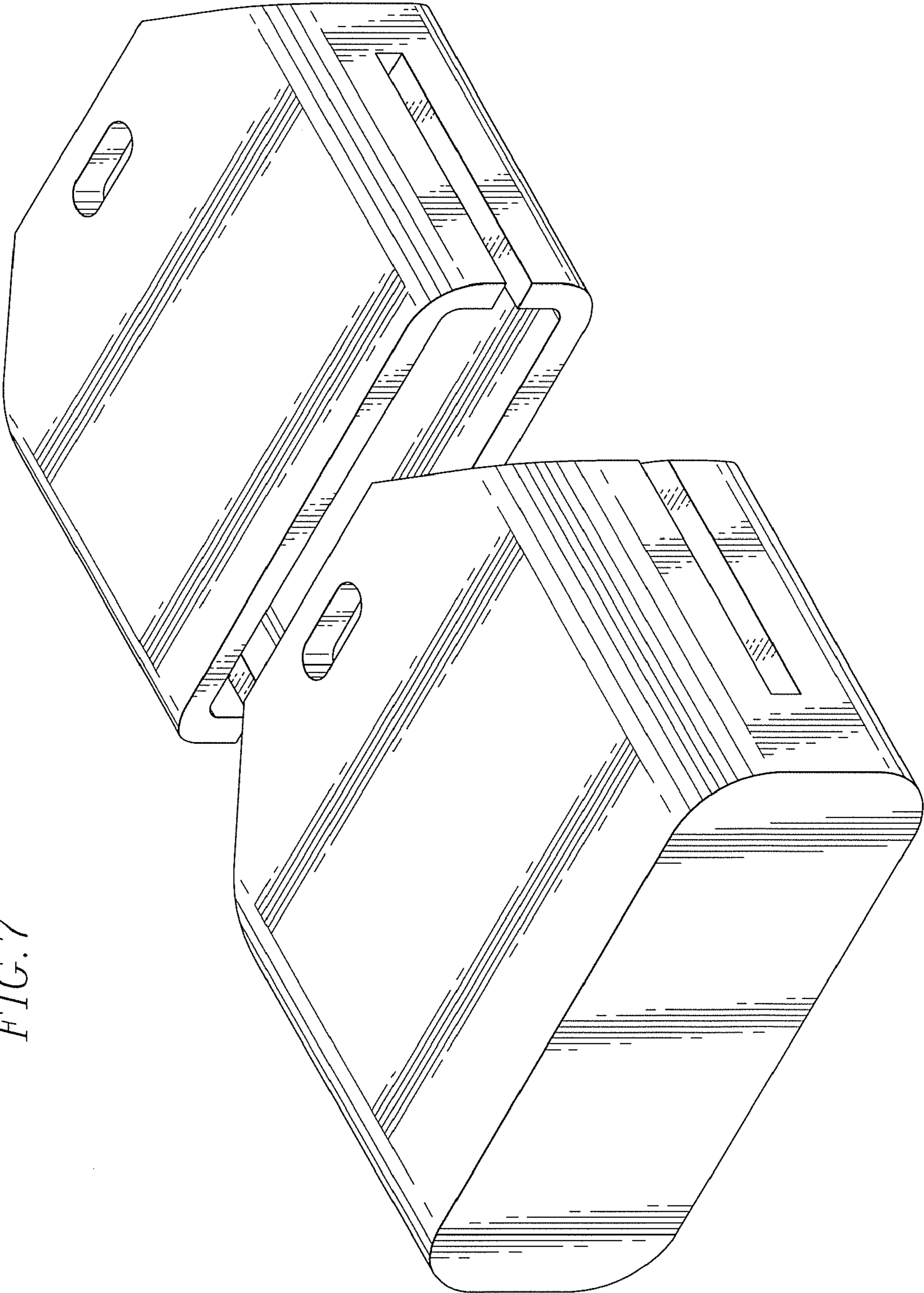


FIG. 7