



US00D650652S

(12) **United States Design Patent**  
**Aglassinger**

(10) **Patent No.:** **US D650,652 S**

(45) **Date of Patent:** **\*\* Dec. 20, 2011**

(54) **CORDLESS SCREWDRIVER**

(75) Inventor: **Hans-Peter Aglassinger**, Esslingen (DE)

(73) Assignee: **Robert Bosch GmbH**, Stuttgart, DE  
(US)

(\*\*) Term: **14 Years**

(21) Appl. No.: **29/364,988**

(22) Filed: **Jul. 1, 2010**

(30) **Foreign Application Priority Data**

Apr. 21, 2010 (EM) ..... 001210025

(51) **LOC (9) Cl.** ..... **08-04**

(52) **U.S. Cl.** ..... **D8/68**

(58) **Field of Classification Search** ..... D8/14.1,  
D8/61, 62, 63, 64, 65, 66, 67, 68, 69, 70;  
81/57.11, 429, 454, 455, 456, 469, 489; 173/13,  
173/104, 114, 168, 169, 170, 171, 178, 201,  
173/211, 213, 217; 408/20, 124, 125, 234,  
408/241 R; 451/358; 310/50; 227/8, 113,  
227/114, 120, 130, 136, 142

See application file for complete search history.

(56) **References Cited**

U.S. PATENT DOCUMENTS

D605,487 S *	12/2009	Aglassinger	.....	D8/68
D605,490 S *	12/2009	Aglassinger	.....	D8/68
D606,376 S *	12/2009	Okuda et al.	.....	D8/68
D615,379 S *	5/2010	Aglassinger	.....	D8/68

\* cited by examiner

*Primary Examiner* — Antoine D Davis

(74) *Attorney, Agent, or Firm* — Maginot, Moore & Beck

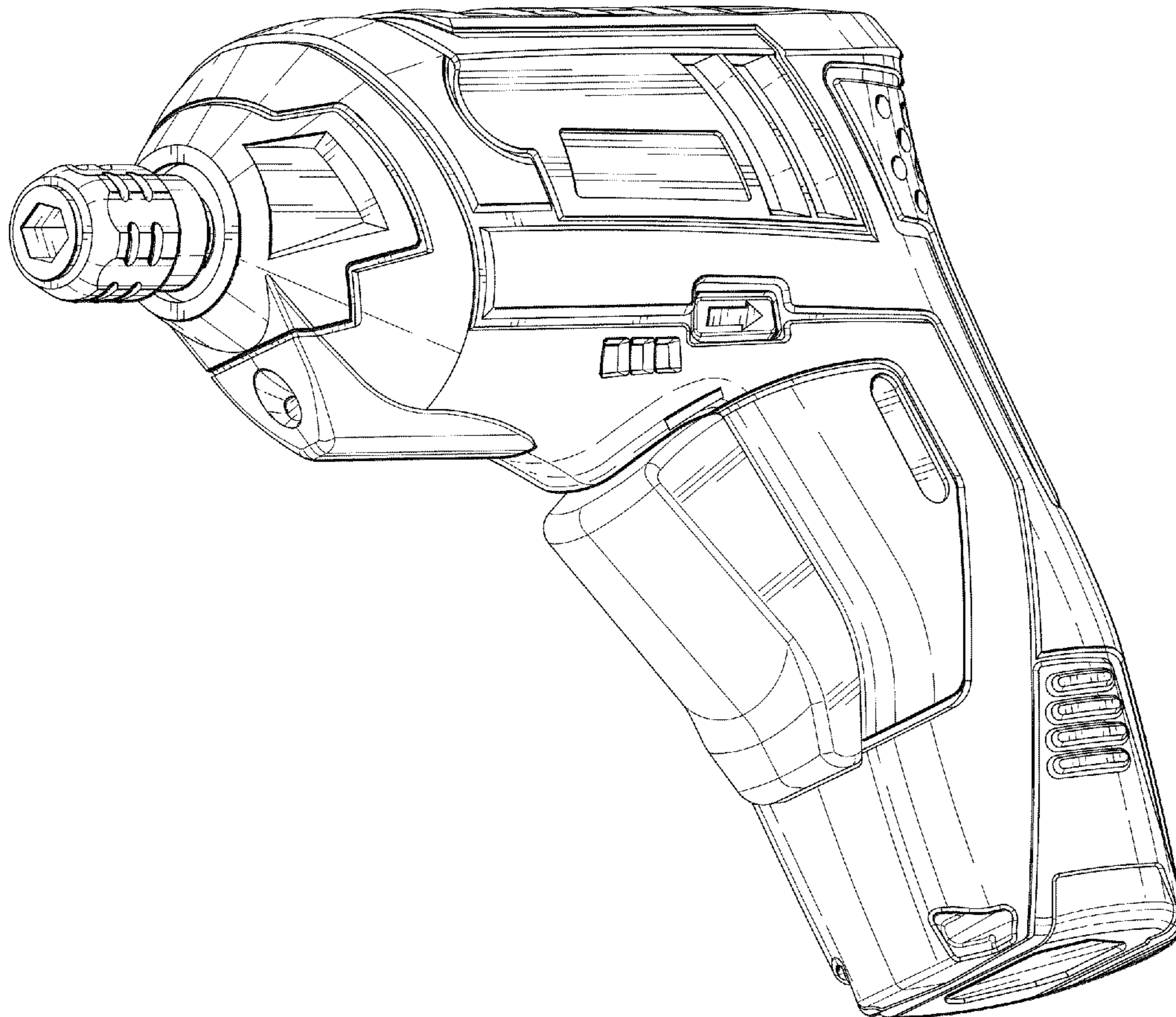
(57) **CLAIM**

The ornamental design for the cordless screwdriver, as shown and described.

**DESCRIPTION**

FIG. 1 is a left front perspective view of the cordless screwdriver;  
FIG. 2 is a left elevational view thereof;  
FIG. 3 is a right elevational view thereof;  
FIG. 4 is front elevational view a thereof;  
FIG. 5 is a rear elevational view thereof;  
FIG. 6 is a top plan view thereof; and,  
FIG. 7 is a bottom plan view thereof.

**1 Claim, 7 Drawing Sheets**



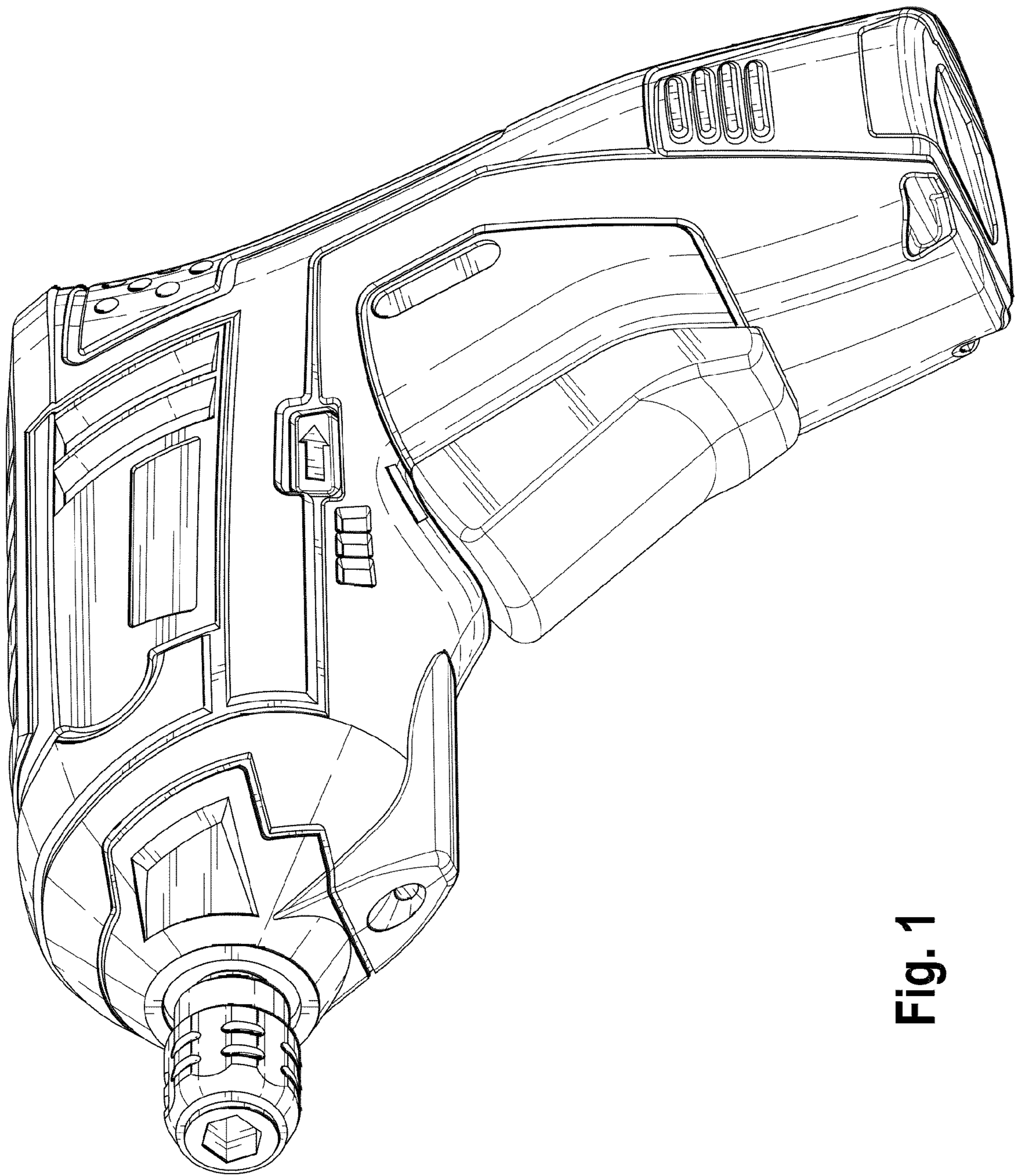


Fig. 1



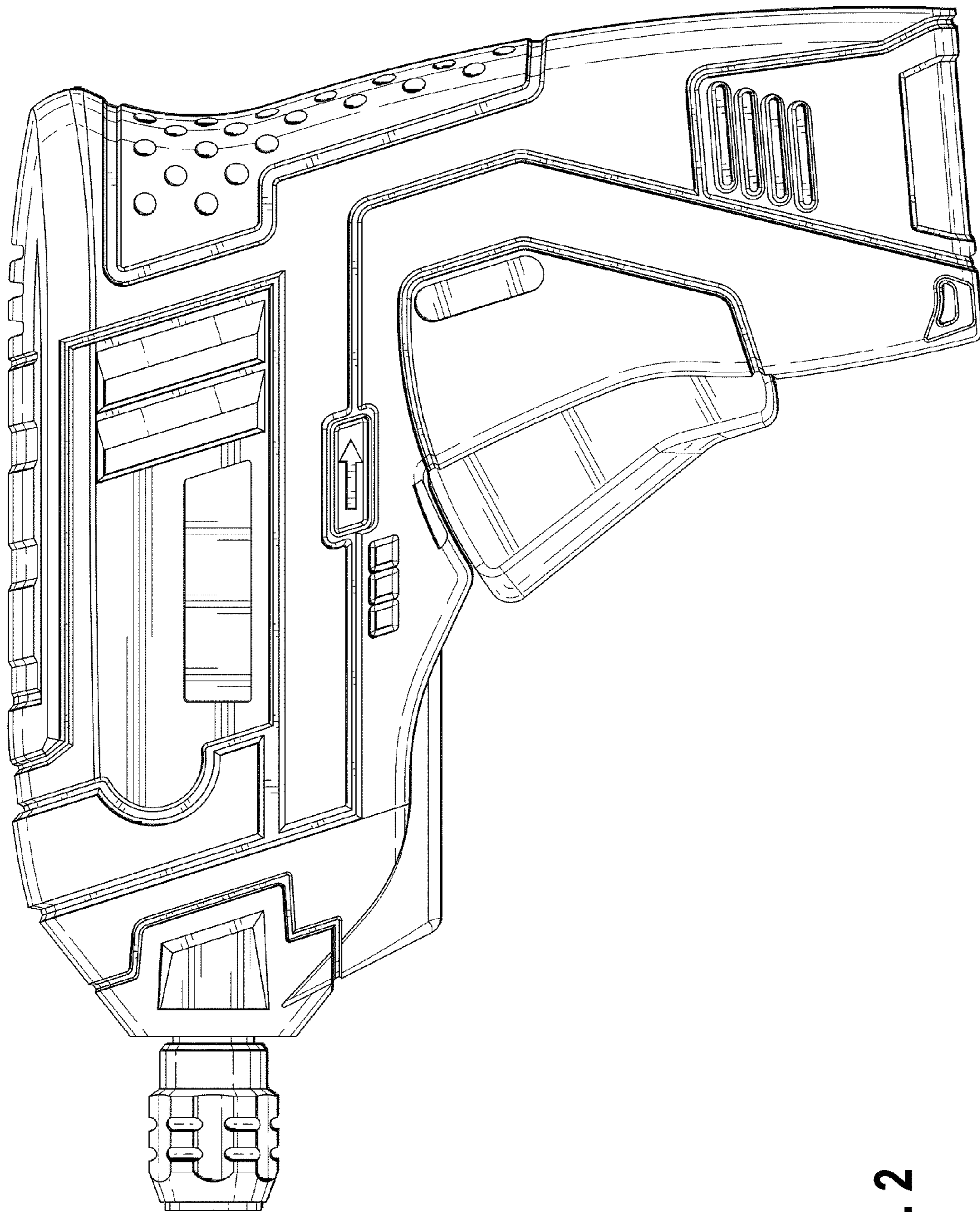


Fig. 2

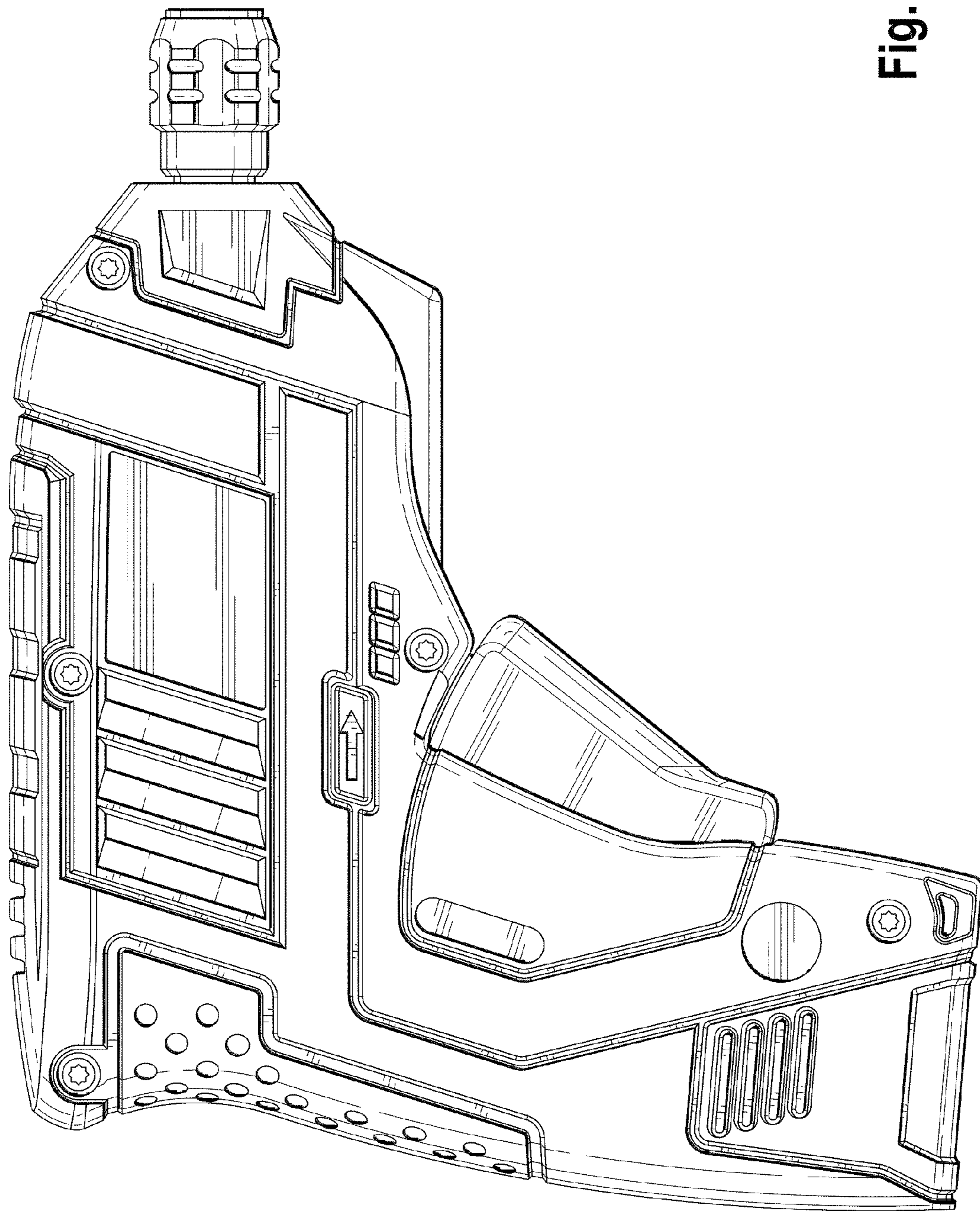


Fig. 3

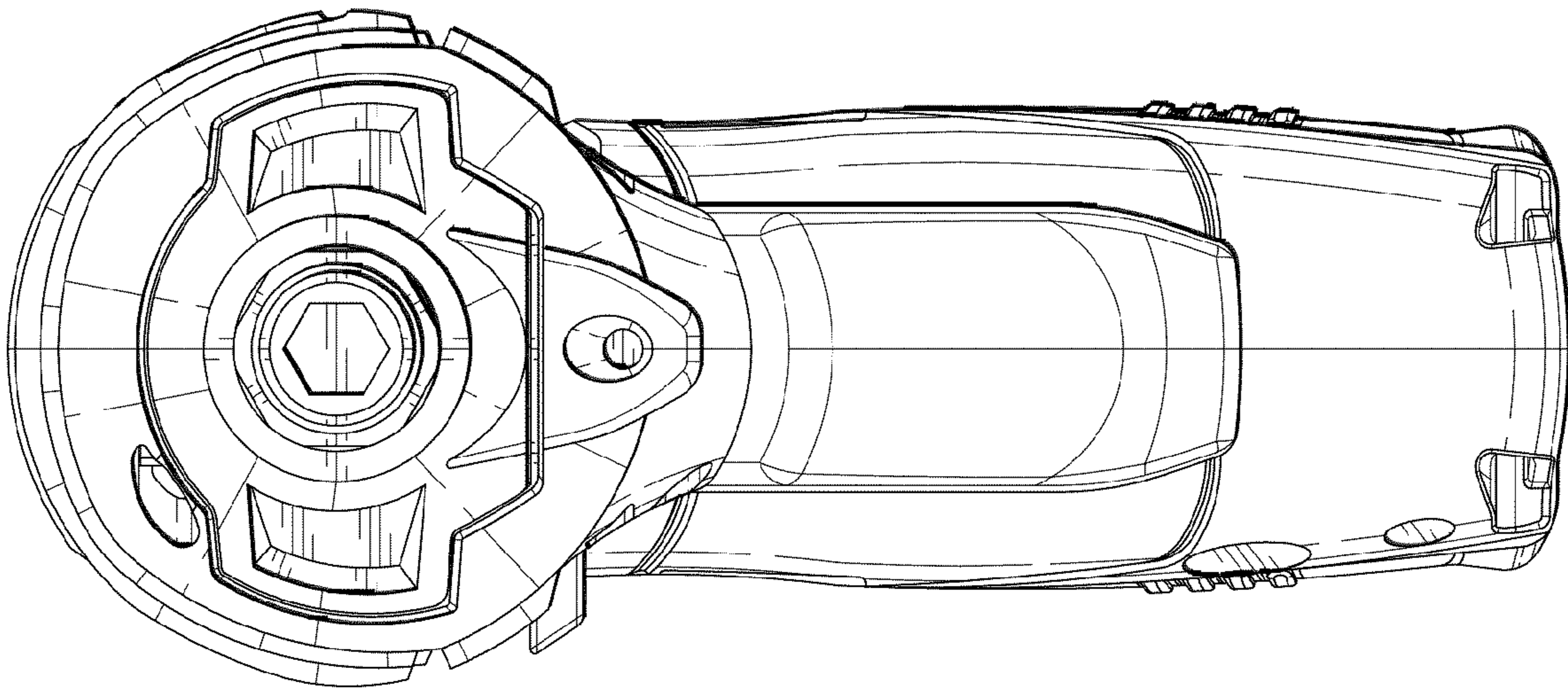


Fig. 4



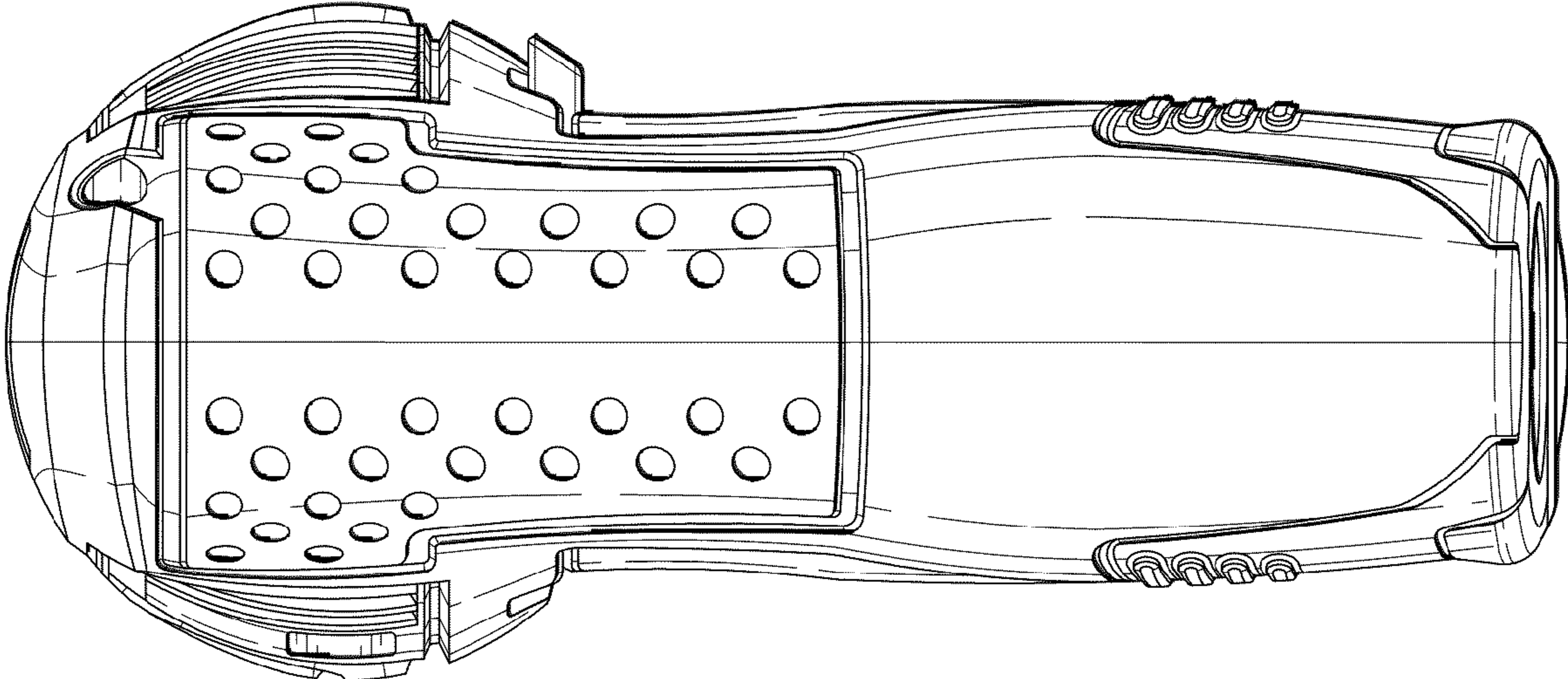


Fig. 5

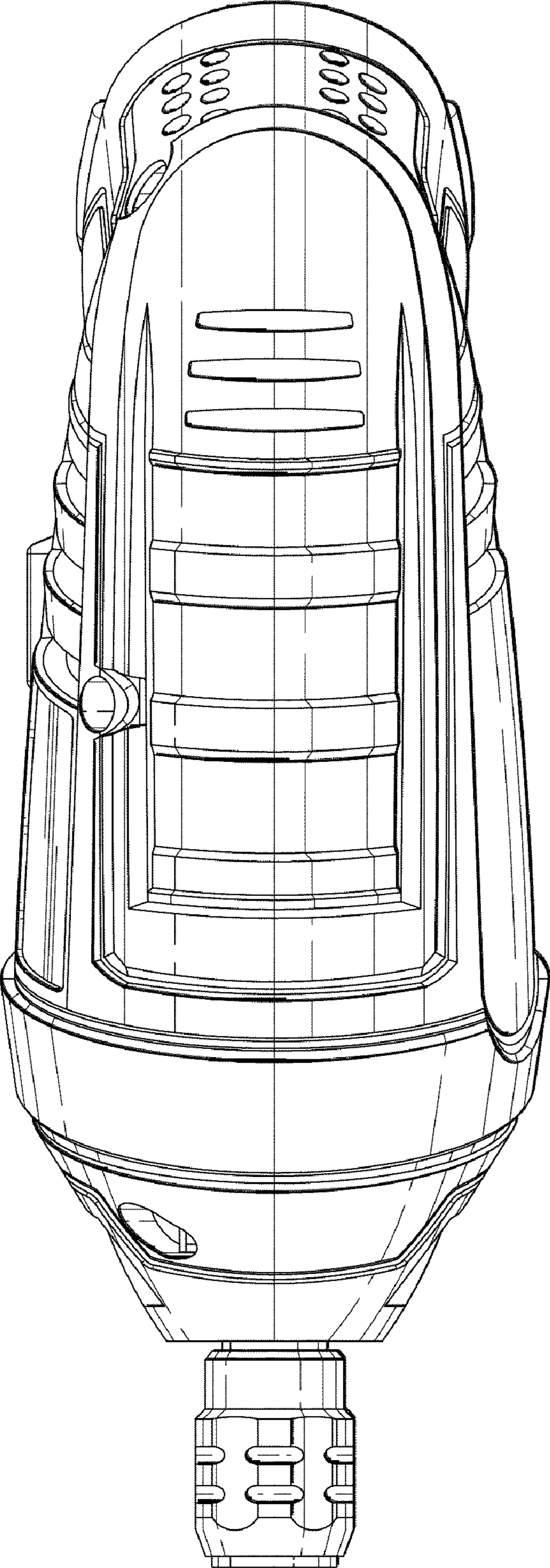


Fig. 6

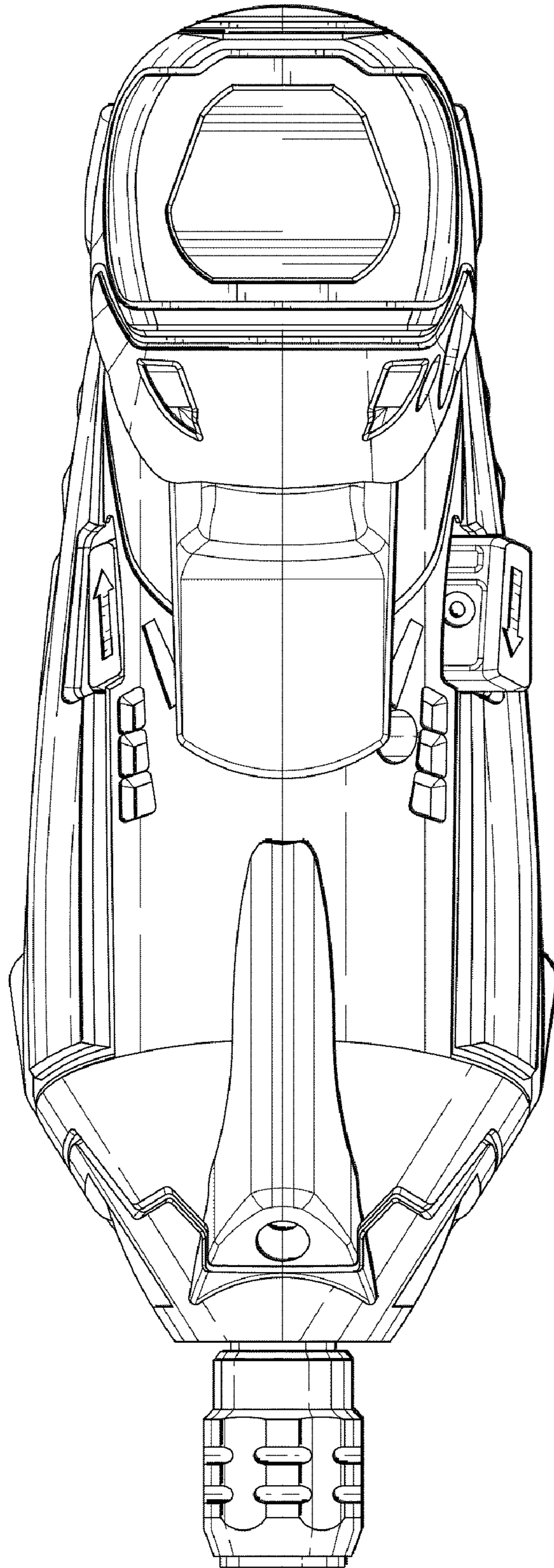


Fig. 7