



US00D650650S

(12) **United States Design Patent**  
**Chen**

(10) **Patent No.:** **US D650,650 S**

(45) **Date of Patent:** **\*\* Dec. 20, 2011**

(54) **WRENCH**

(75) Inventor: **Hsien-Chung Chen**, Shengang  
Township, Taichung County (TW)

(73) Assignee: **Hyphone Machine Industry Co., Ltd.**,  
Taichung County (TW)

(\*\*) Term: **14 Years**

(21) Appl. No.: **29/345,395**

(22) Filed: **Oct. 15, 2009**

(51) **LOC (9) Cl.** ..... **08-05**

(52) **U.S. Cl.** ..... **D8/61; D8/25**

(58) **Field of Classification Search** ..... D8/21-29,  
D8/354, 107, 61, 62, 67, 69; 81/60, 177.1,  
81/177.85, 121.1, 124.3, 165-170, 110.1,  
81/176.2, 124.6, 176.1, 176.15, 177.2, 186,  
81/57, 57.11, 57.14, 57.26, 429, 464, 469;  
16/110.1; D15/144.1, 143; 219/75, 227,  
219/229, 121.16, 121.18; 173/2, 170, 176,  
173/181

See application file for complete search history.

(56) **References Cited**

**U.S. PATENT DOCUMENTS**

D289,135 S \* 4/1987 Doman ..... D8/61  
6,189,419 B1 \* 2/2001 Pijanowski ..... 81/57.39  
D456,232 S \* 4/2002 Chen ..... D8/61  
D468,175 S \* 1/2003 Morgan ..... D8/61

D469,672 S \* 2/2003 Bass et al. .... D8/61  
D497,785 S \* 11/2004 Izumisawa ..... D8/25  
D521,824 S \* 5/2006 Albertson et al. .... D8/25  
7,059,217 B2 \* 6/2006 Horvath ..... 81/57.39  
D525,501 S \* 7/2006 Chen ..... D8/61  
7,069,819 B2 \* 7/2006 Albertson et al. .... 81/57.39  
7,735,398 B2 \* 6/2010 Hsu et al. .... 81/57.39  
7,793,568 B2 \* 9/2010 Mitcheltree et al. .... 81/57.39

\* cited by examiner

*Primary Examiner* — Raphael Barkai

*Assistant Examiner* — Randall Gholson

(74) *Attorney, Agent, or Firm* — Alan Kamrath; Kamrath IP  
Lawfirm, PA

(57) **CLAIM**

The ornamental design for wrench, as shown and described.

**DESCRIPTION**

FIG. 1 is a perspective view of a wrench showing my new  
design;

FIG. 2 is a front view thereof;

FIG. 3 is a rear view thereof;

FIG. 4 is a left view thereof;

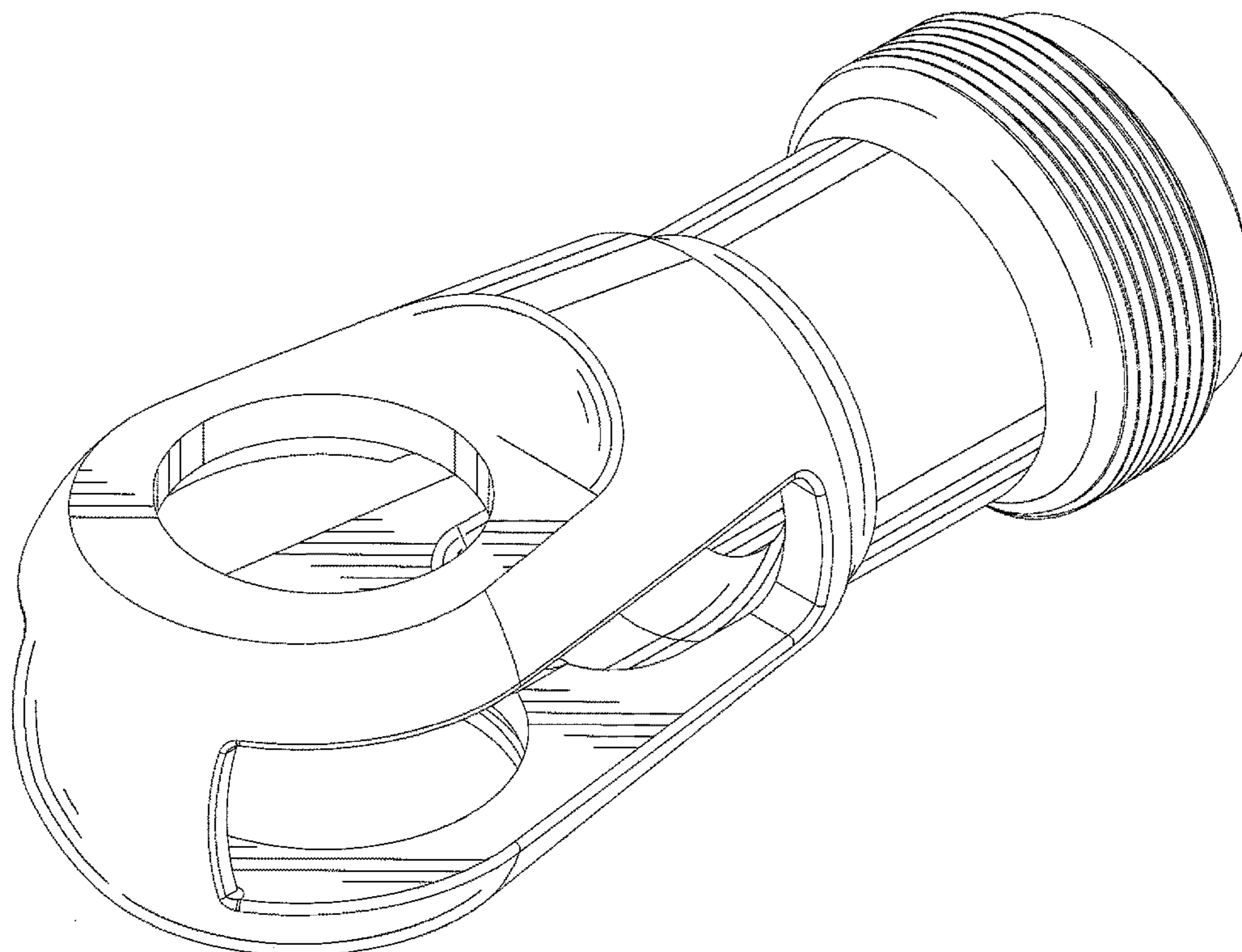
FIG. 5 is a right view thereof;

FIG. 6 is a top view thereof;

FIG. 7 is a bottom view thereof; and,

FIG. 8 is the perspective view embodying the utilization of  
wrench in which the broken line is for illustrative purposes  
only and forms no part of the claimed design.

**1 Claim, 7 Drawing Sheets**



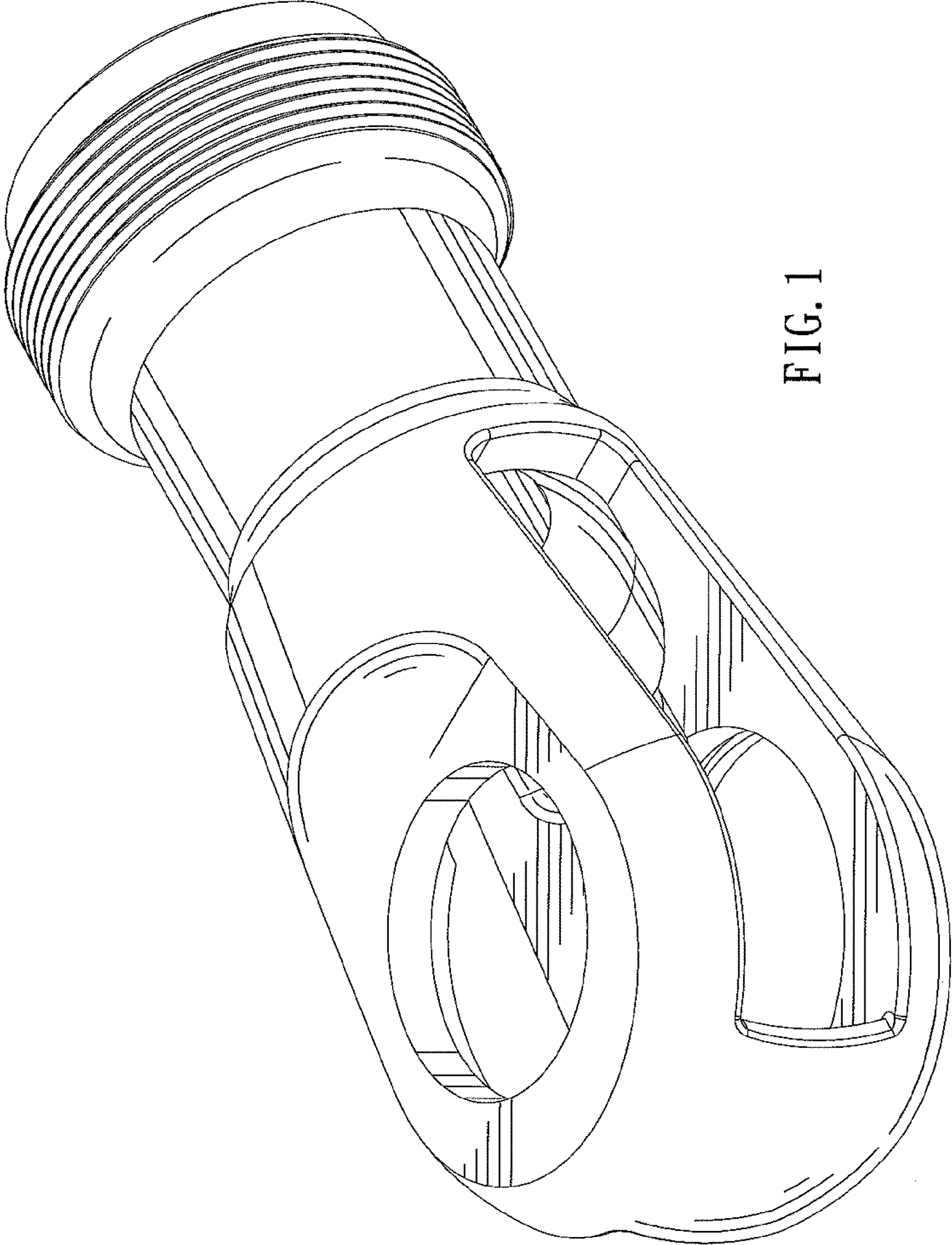


FIG. 1

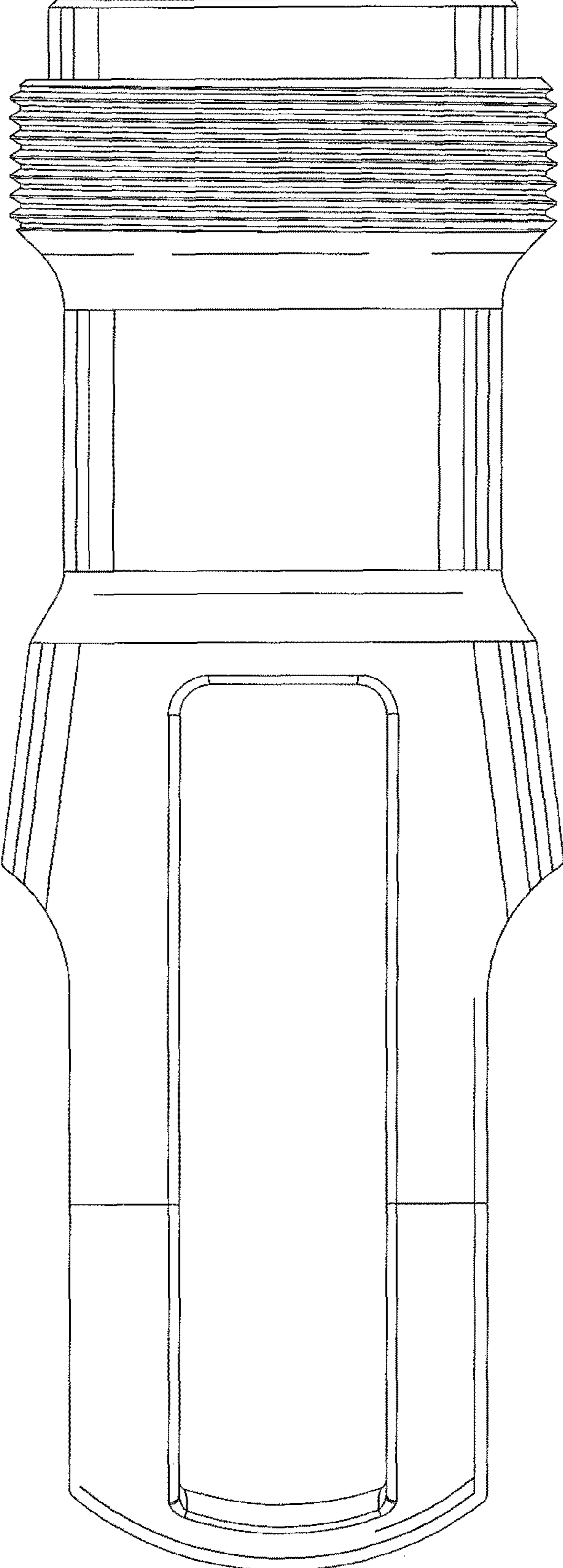


FIG. 2

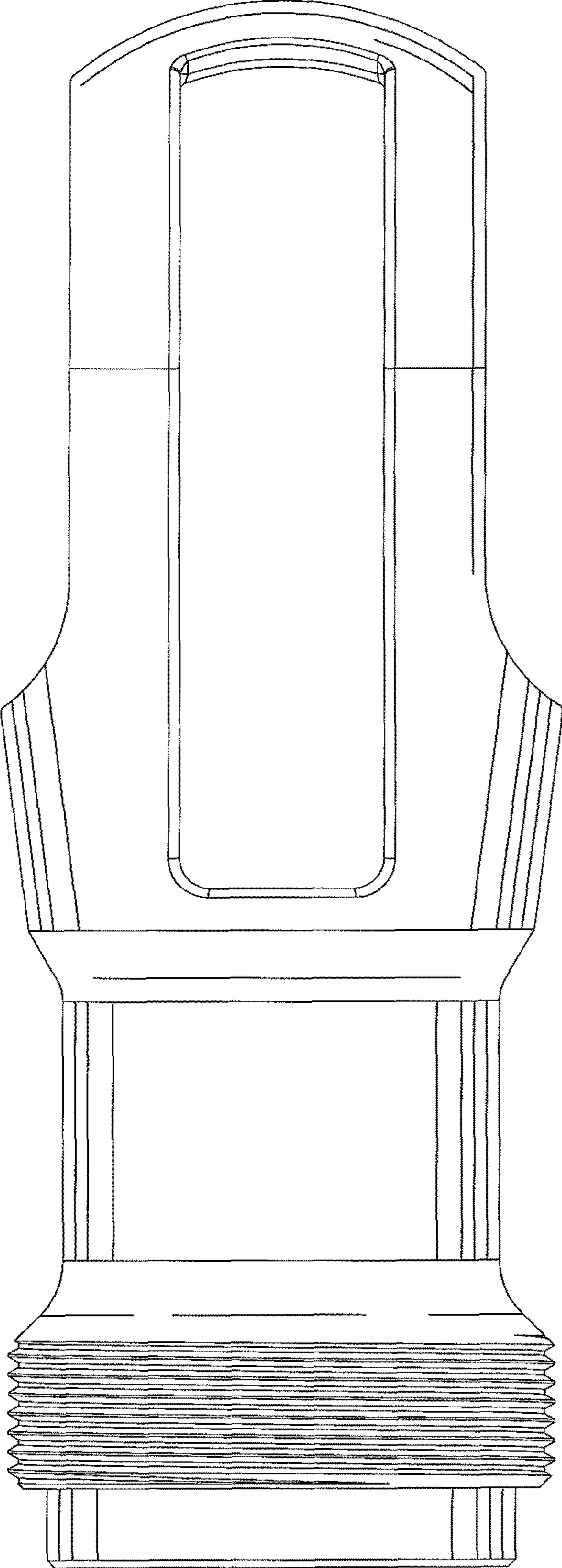


FIG. 3

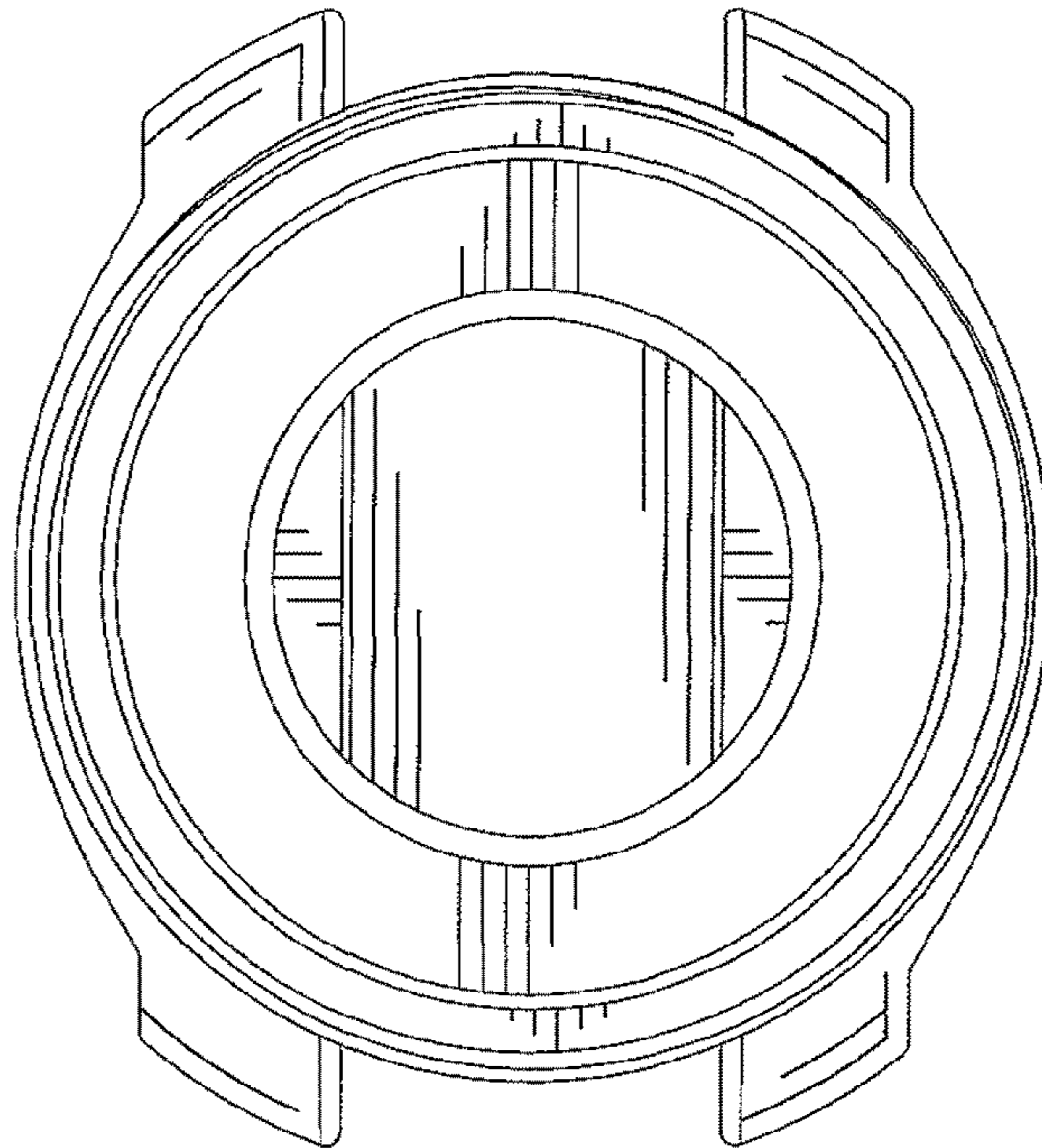


FIG. 5

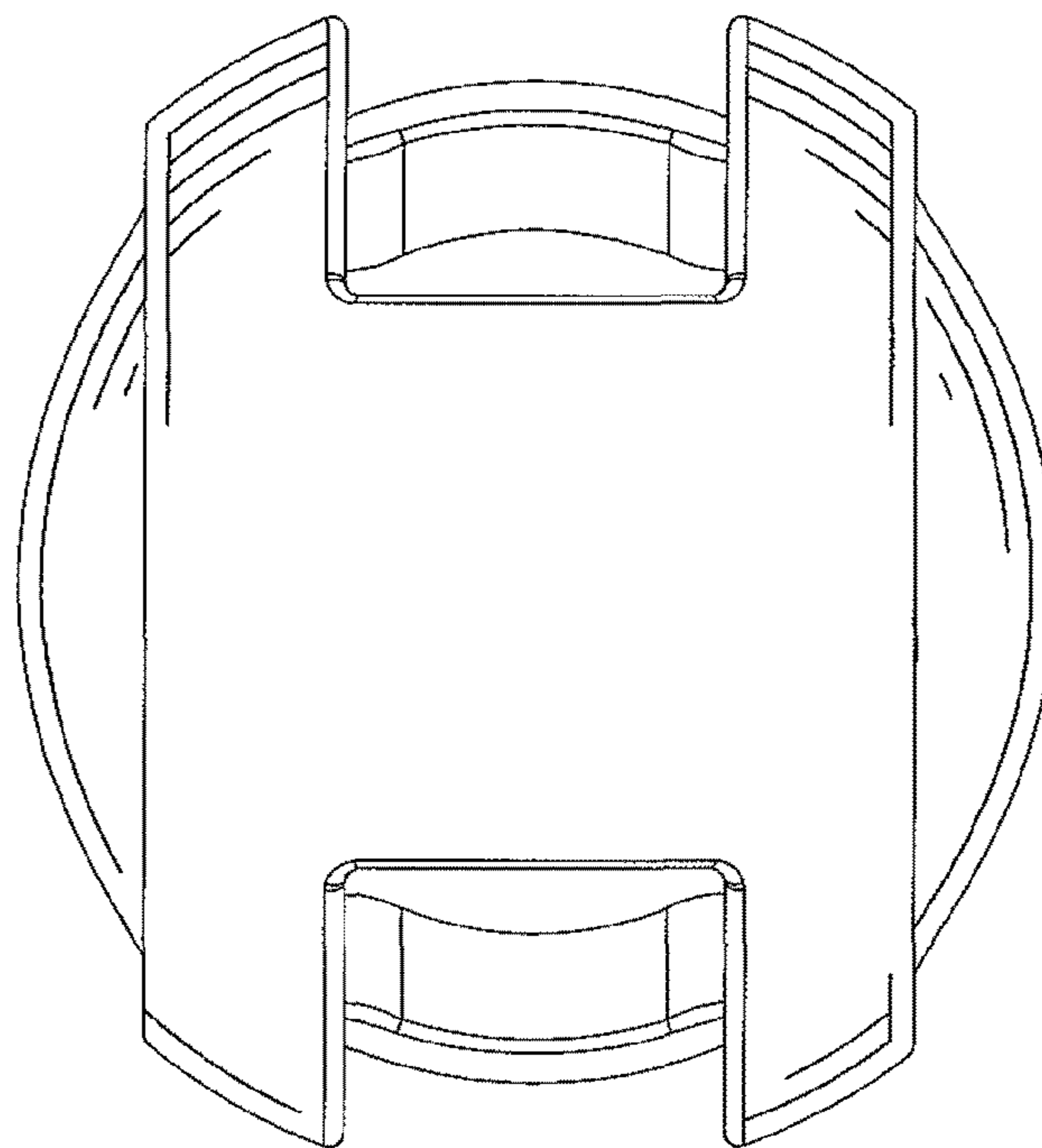


FIG. 4

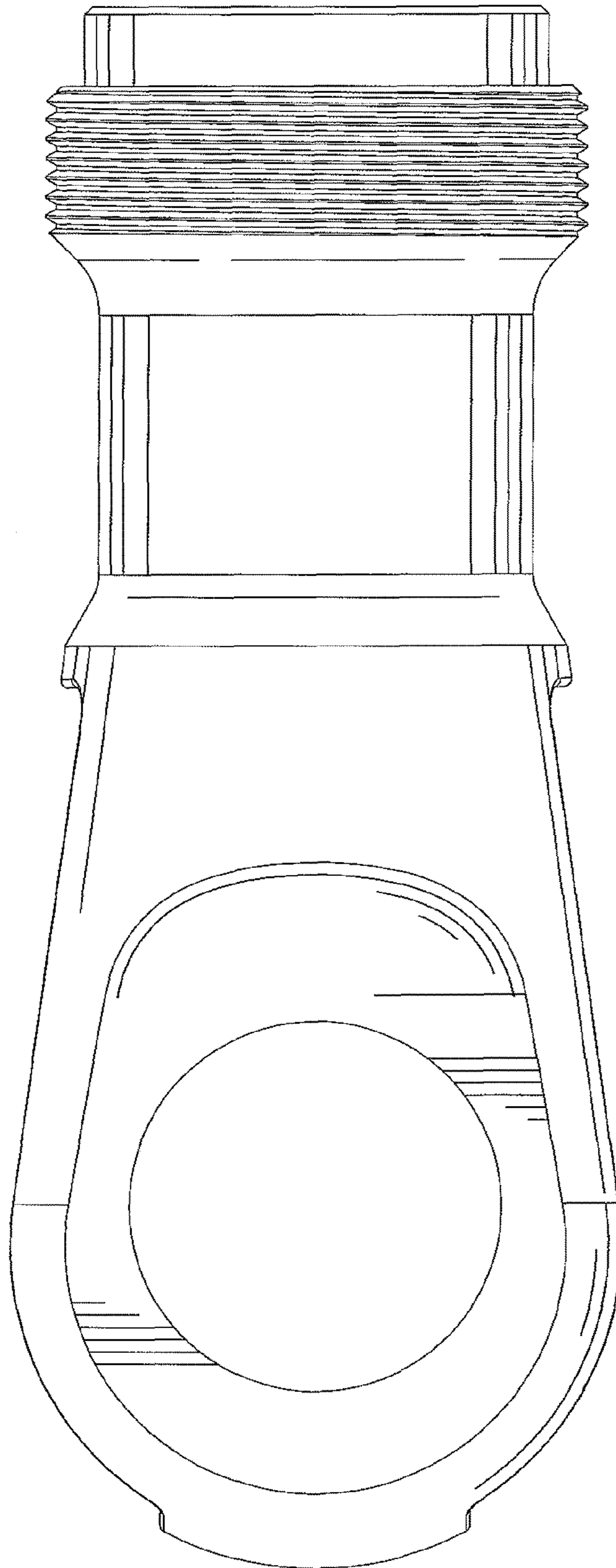


FIG. 6

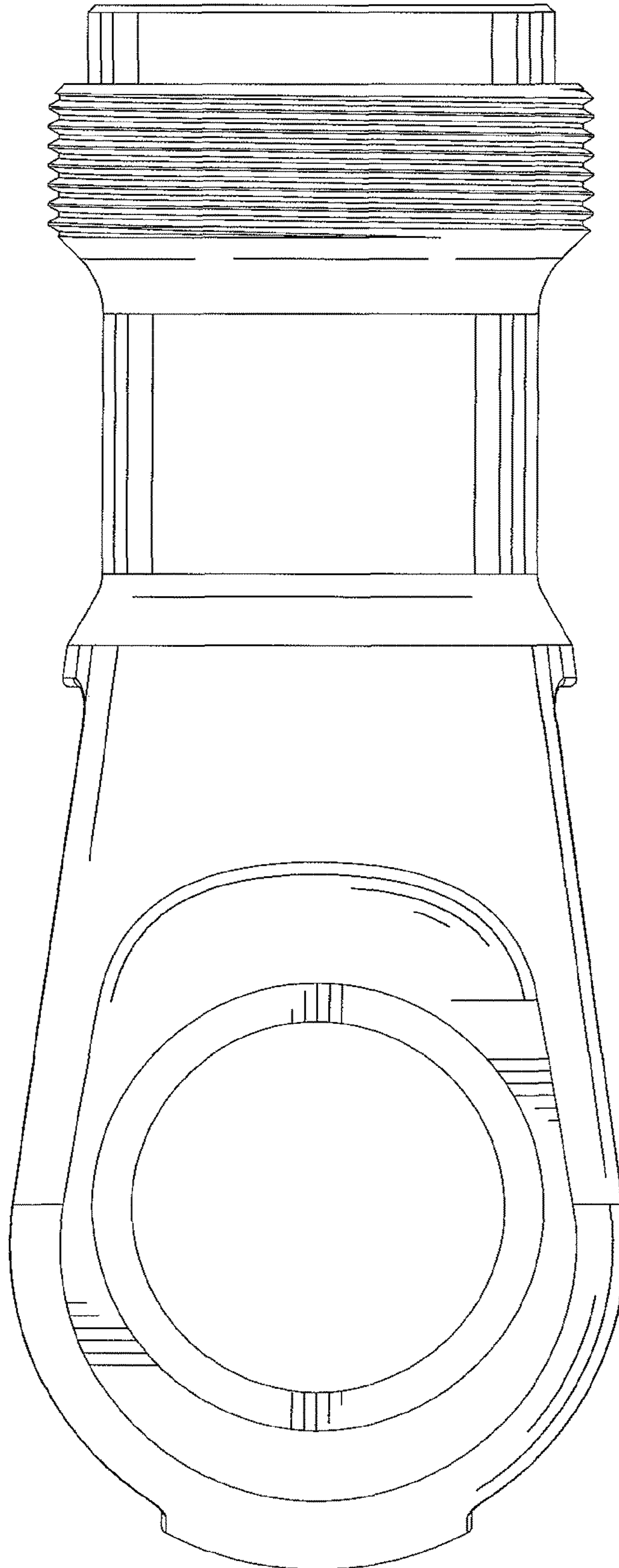
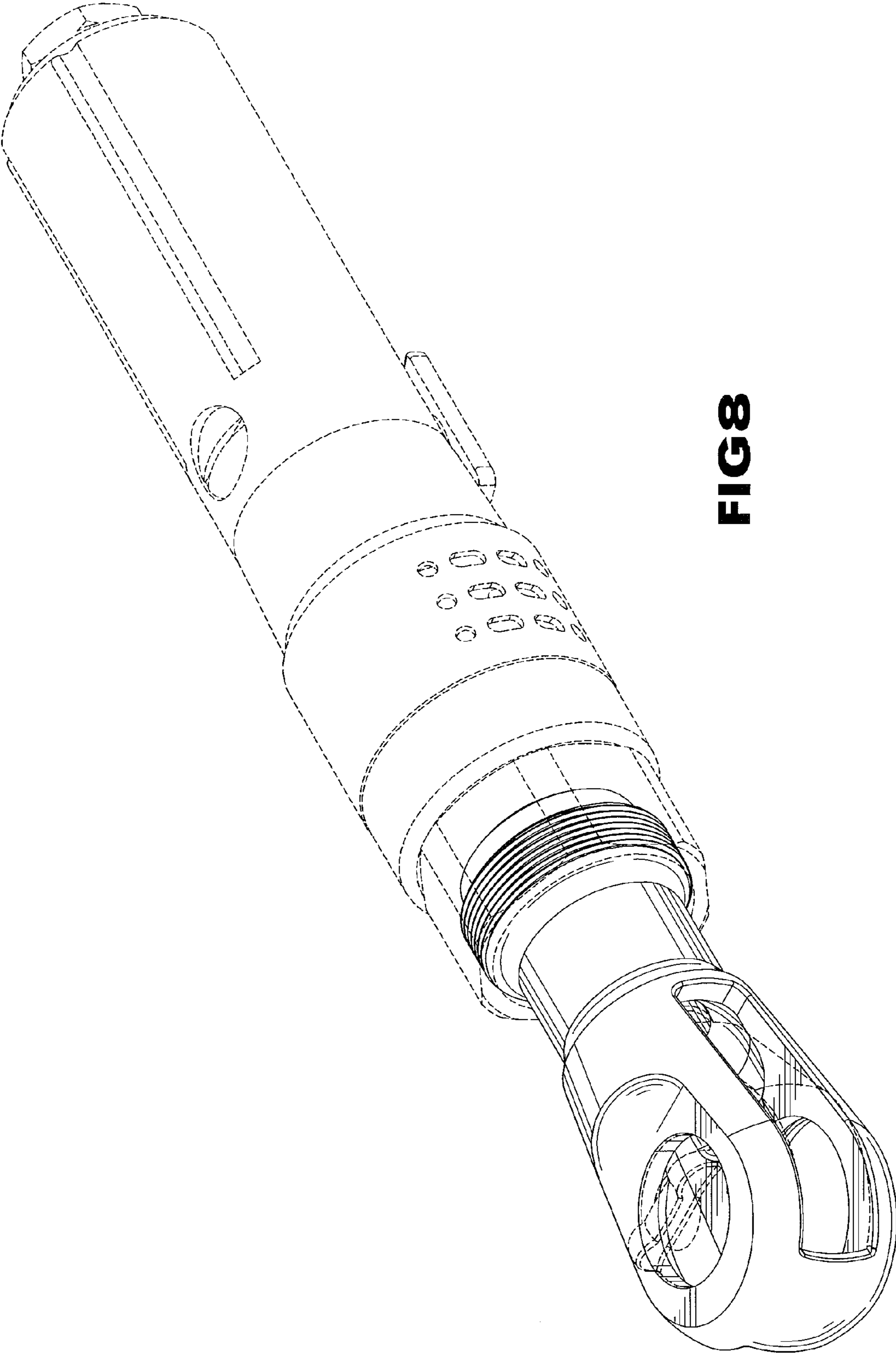


FIG. 7



**FIG 8**