



US00D650645S

(12) **United States Design Patent**
Dosch et al.

(10) **Patent No.:** **US D650,645 S**

(45) **Date of Patent:** **** Dec. 20, 2011**

(54) **TRUNCATED BOX WRENCH**

(76) Inventors: **Andrew Dosch**, Tucson, AZ (US);
William Farmer, Tucson, AZ (US)

(**) Term: **14 Years**

(21) Appl. No.: **29/390,555**

(22) Filed: **Apr. 26, 2011**

(51) **LOC (9) Cl.** **08-05**

(52) **U.S. Cl.** **D8/21; D8/28**

(58) **Field of Classification Search** D8/21-29;
81/60, 177.1, 177.85, 121.1, 124.3, 165-170,
81/110.1, 176.2, 124.6, 176.1, 176.15, 177.2;
16/110.1; D15/144.1; 219/75, 227, 229,
219/121.16, 121.18

See application file for complete search history.

(56) **References Cited**

U.S. PATENT DOCUMENTS

| | | | | | | |
|-----------|---|---|---------|-----------------|-------|----------|
| D344,223 | S | * | 2/1994 | Kubicek | | D8/25 |
| 5,282,830 | A | * | 2/1994 | Reynolds | | 81/90.1 |
| 5,832,795 | A | * | 11/1998 | Reynolds | | 81/180.1 |
| D427,866 | S | * | 7/2000 | Chabot | | D8/28 |
| D462,245 | S | * | 9/2002 | Friedman et al. | | D8/21 |
| D464,239 | S | * | 10/2002 | Hamlin | | D8/27 |

| | | | | | | |
|--------------|----|---|---------|--------------|-------|---------|
| D489,234 | S | * | 5/2004 | Pyper et al. | | D8/27 |
| D574,680 | S | * | 8/2008 | Oldknow | | D8/28 |
| D584,932 | S | * | 1/2009 | Chang | | D8/27 |
| D601,393 | S | * | 10/2009 | Cui | | D8/17 |
| 2010/0257979 | A1 | * | 10/2010 | Zhan | | 81/58.2 |

* cited by examiner

Primary Examiner — Raphael Barkai

Assistant Examiner — Randall H Gholson

(74) *Attorney, Agent, or Firm* — Nikia L. Gray; Quarles & Brady LLP

(57) **CLAIM**

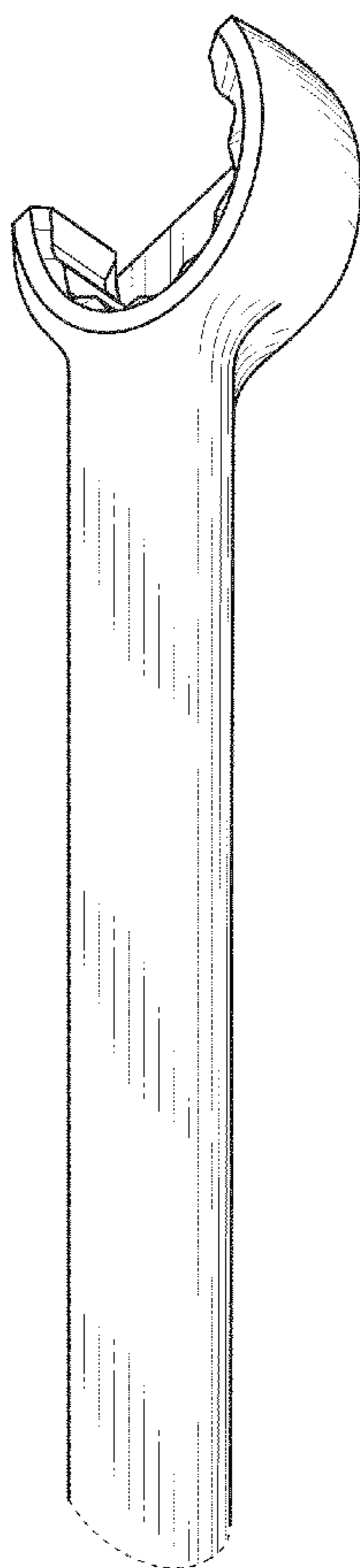
The ornamental design for a truncated box wrench, as shown and described.

DESCRIPTION

FIG. 1 is a perspective view of the design of this invention;
FIG. 2 is a front view thereof;
FIG. 3 is a back view thereof;
FIG. 4 is a top end view thereof;
FIG. 5 is a bottom end view thereof;
FIG. 6 is a first side view thereof; and,
FIG. 7 is a second side view thereof.

The broken lines shown on the handle which define the bounds of the claimed design form no part thereof.

1 Claim, 3 Drawing Sheets



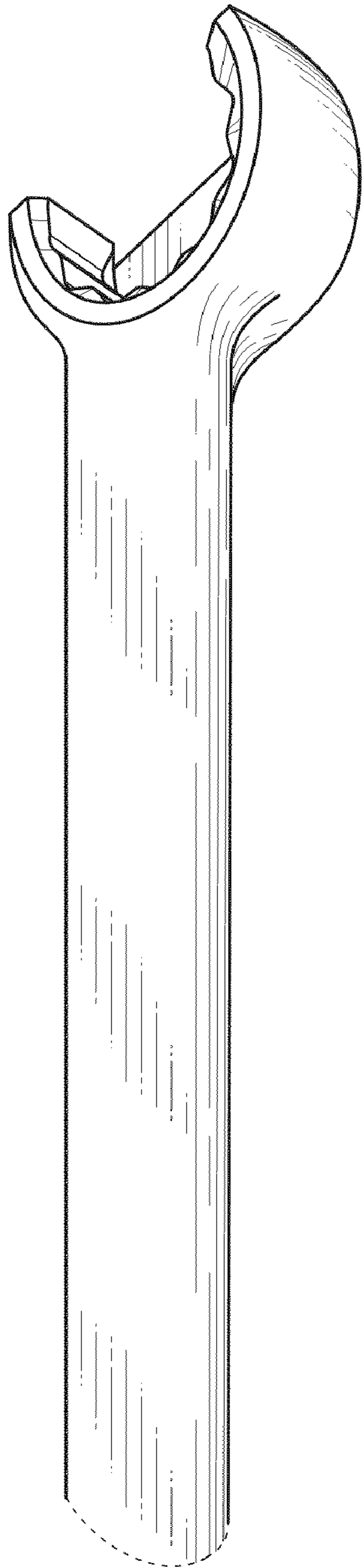


FIG. 1

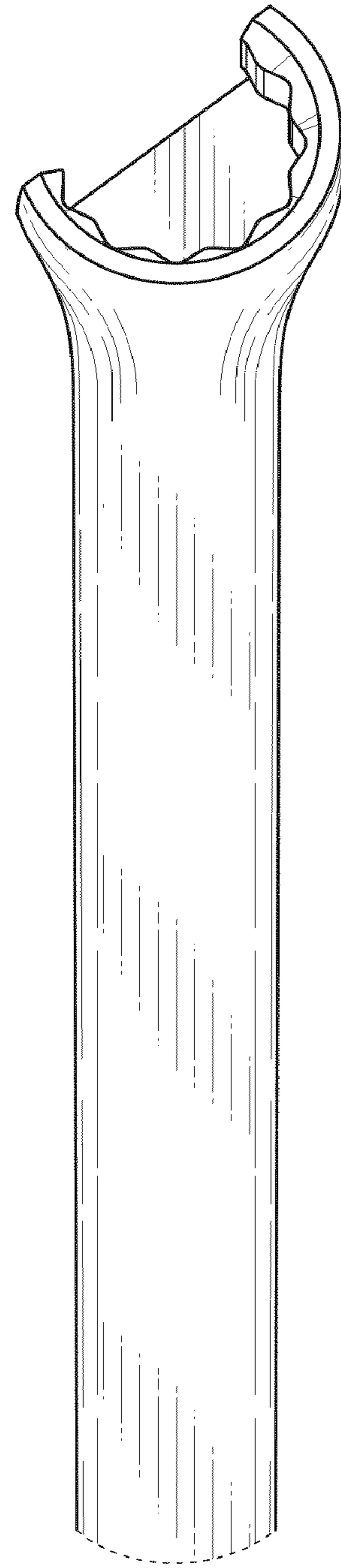


FIG. 2

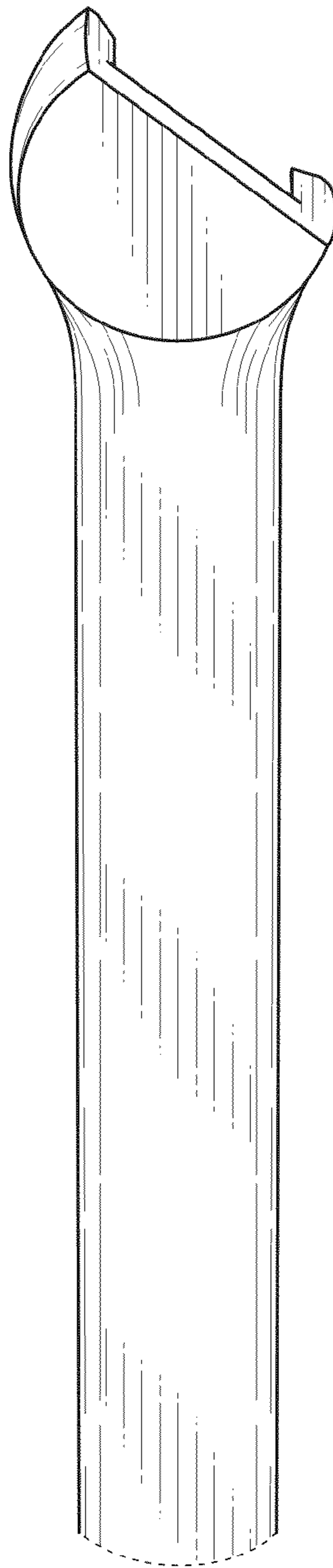


FIG. 3

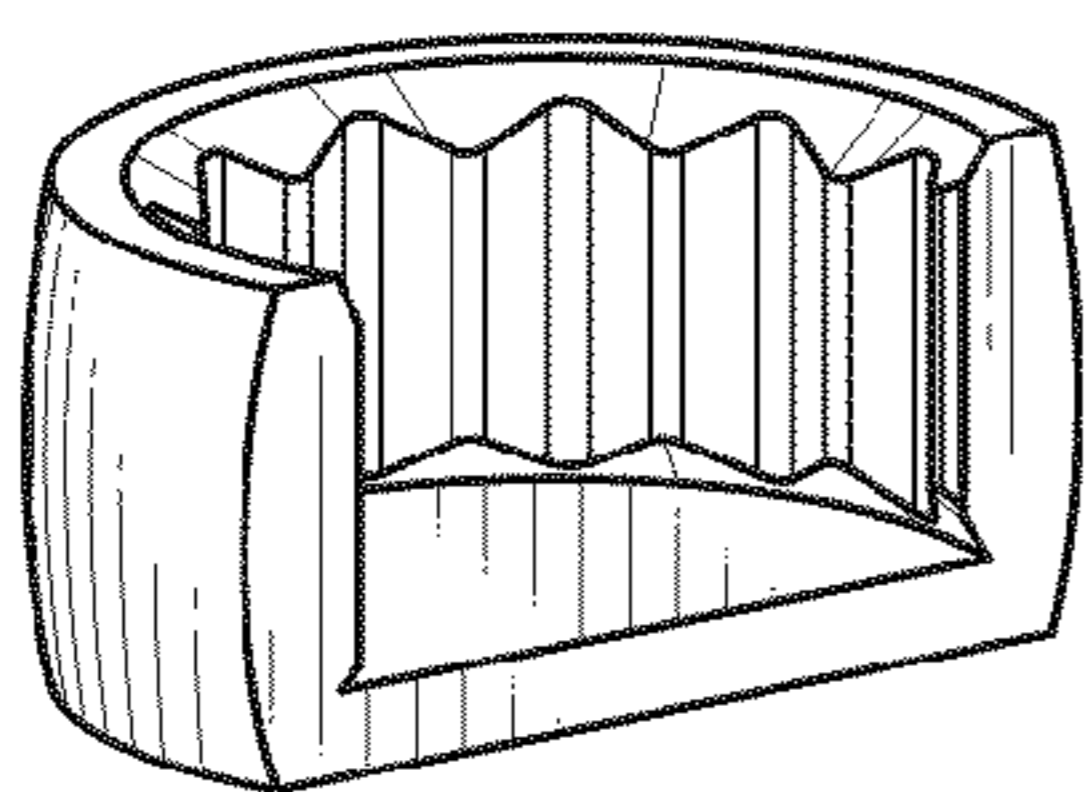


FIG. 4

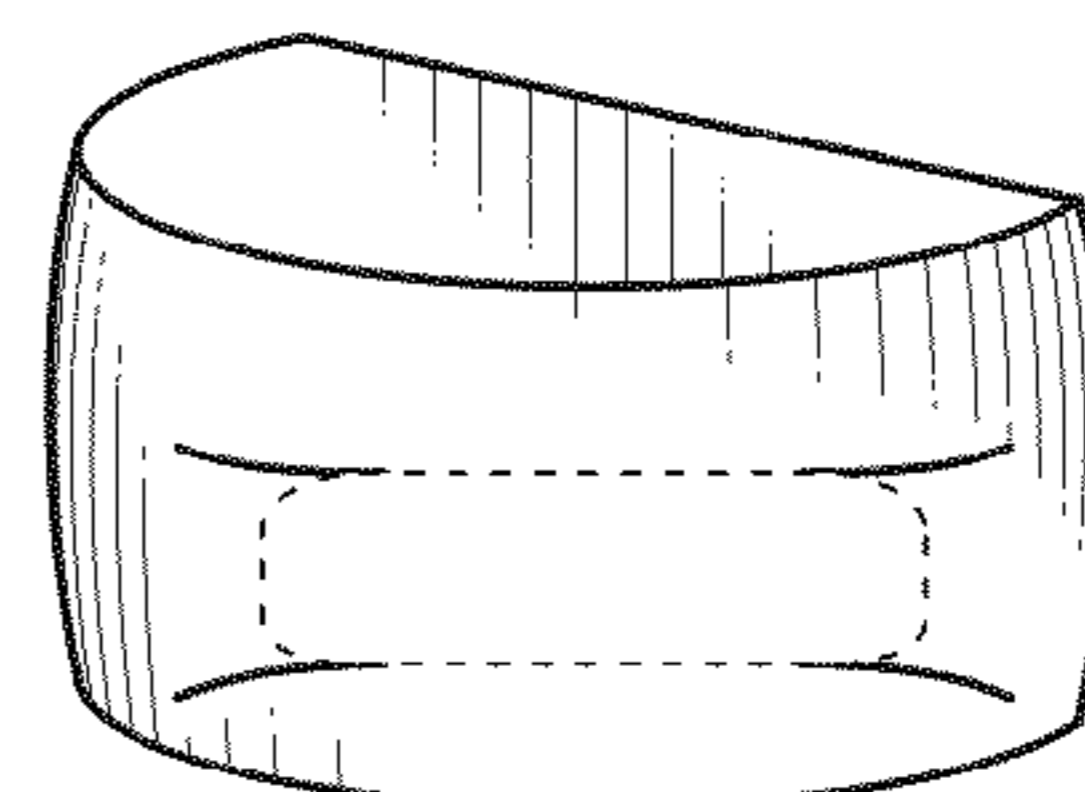


FIG. 5

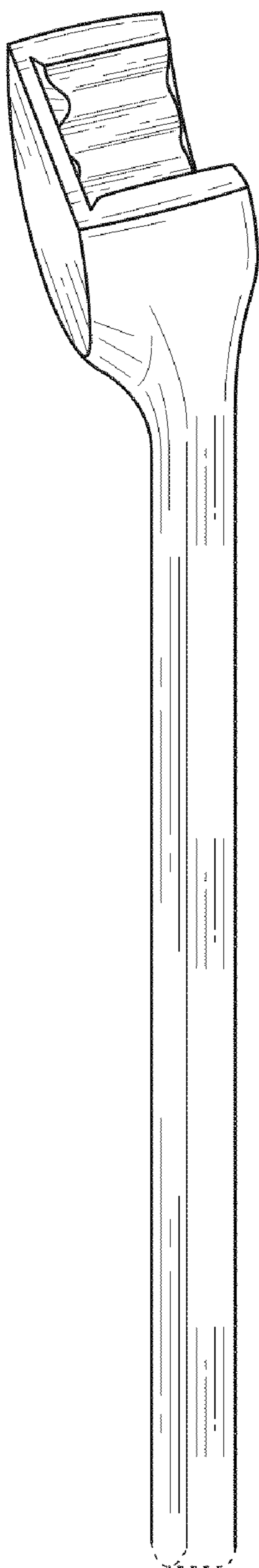


FIG. 6

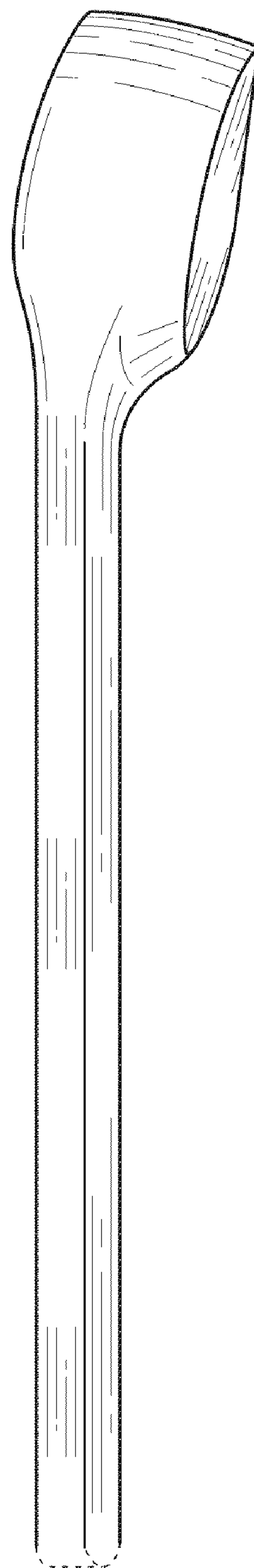


FIG. 7