

US00D650643S

(12) **United States Design Patent**
Aoki et al.

(10) **Patent No.:** **US D650,643 S**

(45) **Date of Patent:** **** Dec. 20, 2011**

(54) **HEDGE TRIMMER**

(75) Inventors: **Yoshiki Aoki**, Hitachinaka (JP);
Hiroyuki Hasegawa, Hitachinaka (JP);
Yasutaka Shimizu, Hitachinaka (JP)

(73) Assignee: **Hitachi Koki Co., Ltd.**, Tokyo (JP)

(**) Term: **14 Years**

(21) Appl. No.: **29/380,339**

(22) Filed: **Dec. 3, 2010**

(30) **Foreign Application Priority Data**

Jun. 3, 2010 (JP) 2010-013689

(51) **LOC (9) Cl.** **08-01**

(52) **U.S. Cl.** **D8/8**

(58) **Field of Classification Search** D8/8, 7,
D8/9; D15/17, 1; 30/276, 208–210, 347,
30/228, 382–383; 56/12.7, 233–234

See application file for complete search history.

(56) **References Cited**

U.S. PATENT DOCUMENTS

D463,229 S * 9/2002 Gabriel D8/8
D468,600 S * 1/2003 Evans D8/8
D543,805 S * 6/2007 Houghton D8/8

D580,238 S * 11/2008 Murray D8/8
D580,239 S * 11/2008 Murray D8/8
D582,225 S * 12/2008 Bochmann et al. D8/8
D623,487 S * 9/2010 Tinius D8/8
D623,909 S * 9/2010 Tate et al. D8/8
D624,371 S * 9/2010 Tinius D8/8

* cited by examiner

Primary Examiner — Holly Baynham

Assistant Examiner — Sheryl Lane

(74) *Attorney, Agent, or Firm* — Sughrue Mion, PLLC

(57) **CLAIM**

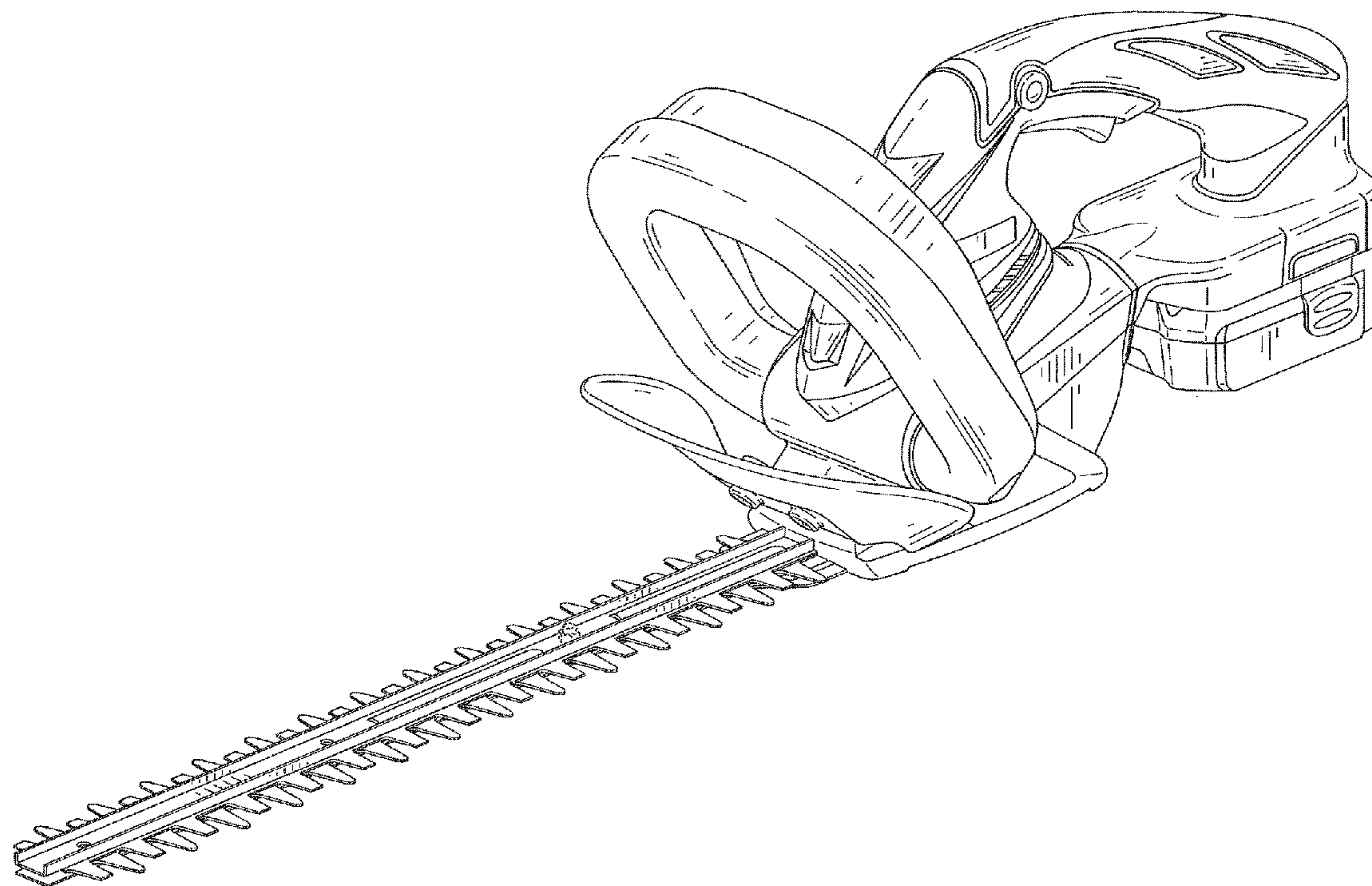
The ornamental design for a hedge trimmer, as shown and described.

DESCRIPTION

FIG. 1 is a perspective view of top, front and left side of a hedge trimmer showing our new design; FIG. 2 is a front view thereof; FIG. 3 is a rear view thereof; FIG. 4 is a top plan view thereof; FIG. 5 is a bottom view thereof; FIG. 6 is a left side view thereof; and, FIG. 7 is a right side view thereof.

The portion of the article in broken lines are shown for illustrative purposes only and form no part of the claimed design.

1 Claim, 4 Drawing Sheets



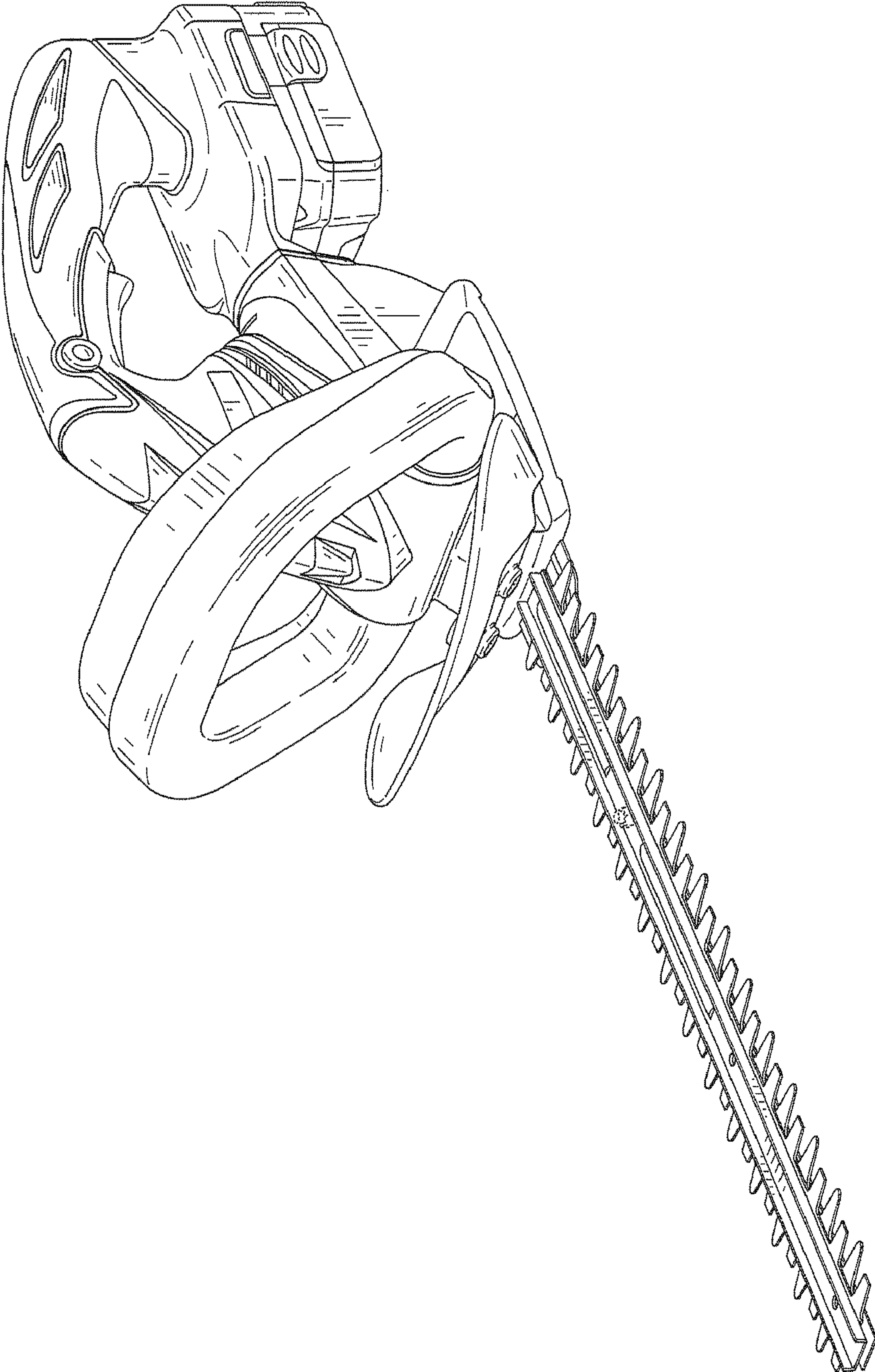


FIG. 1

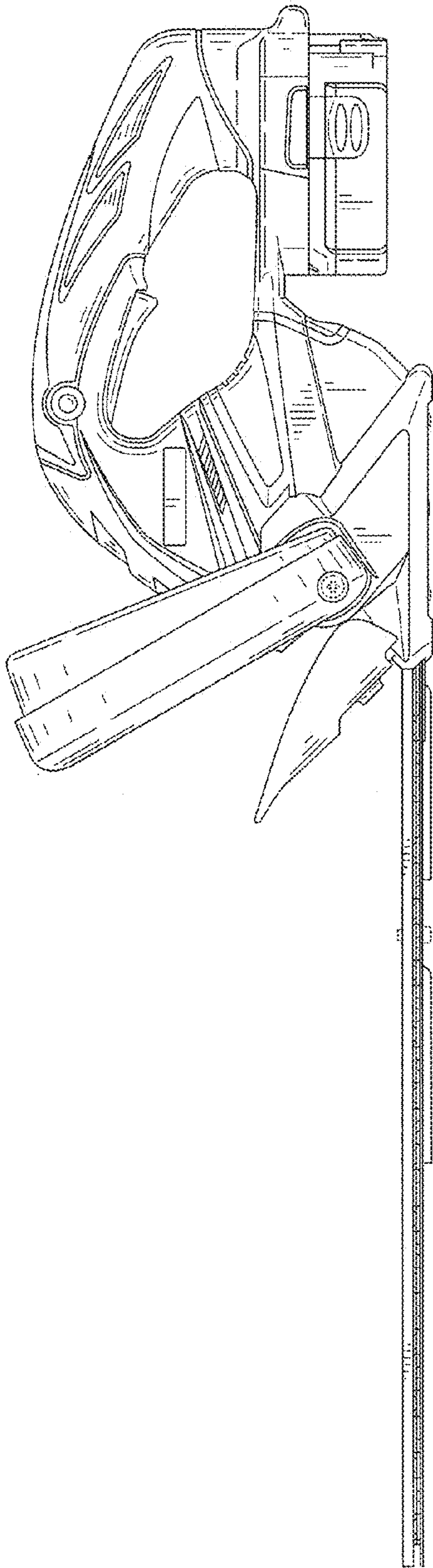


FIG. 2

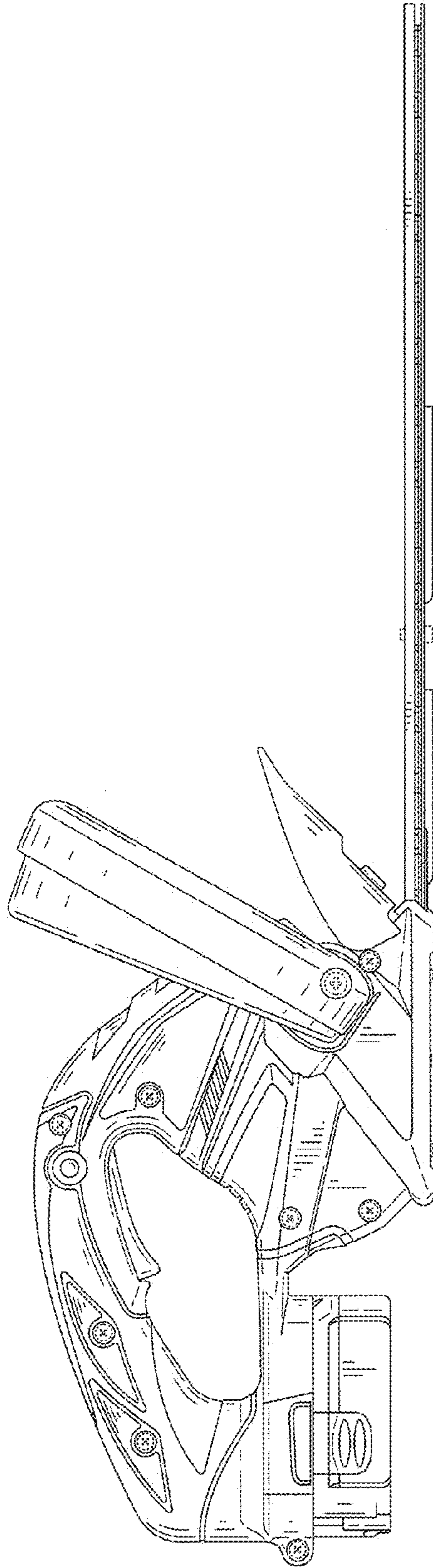


FIG. 3

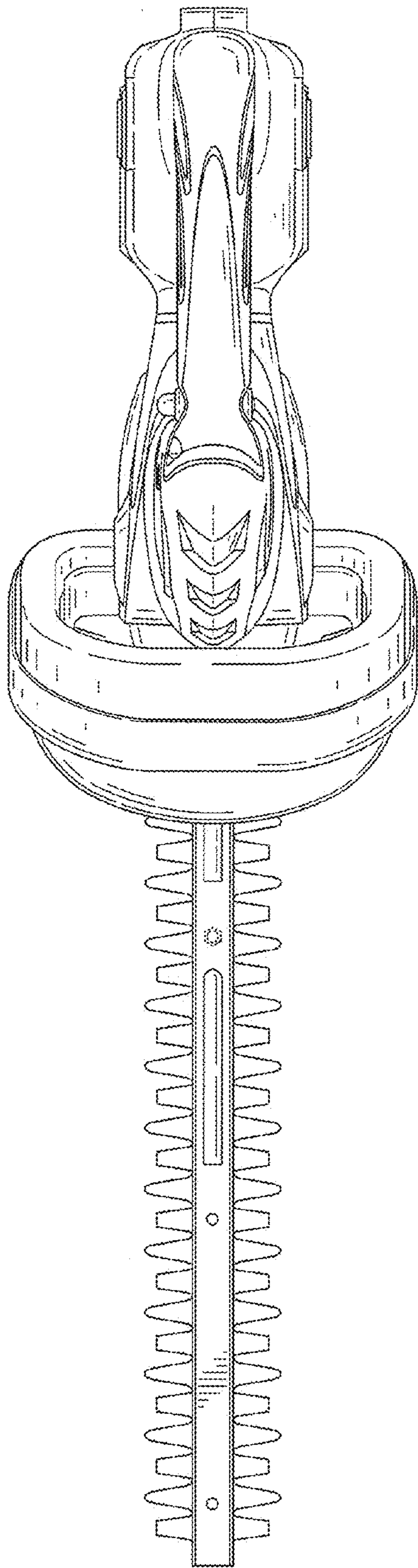


FIG. 4

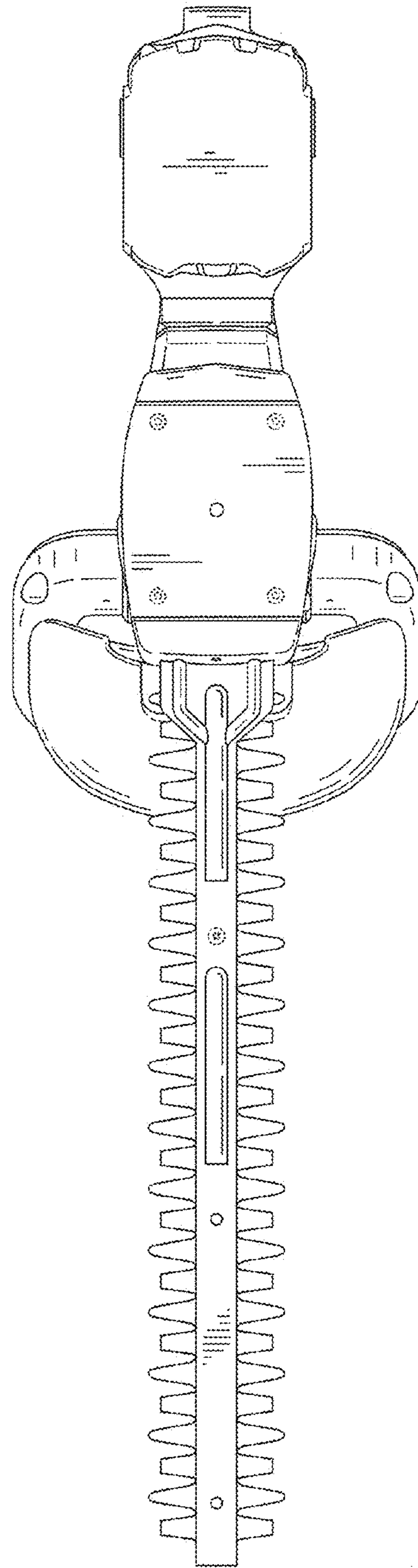


FIG. 5

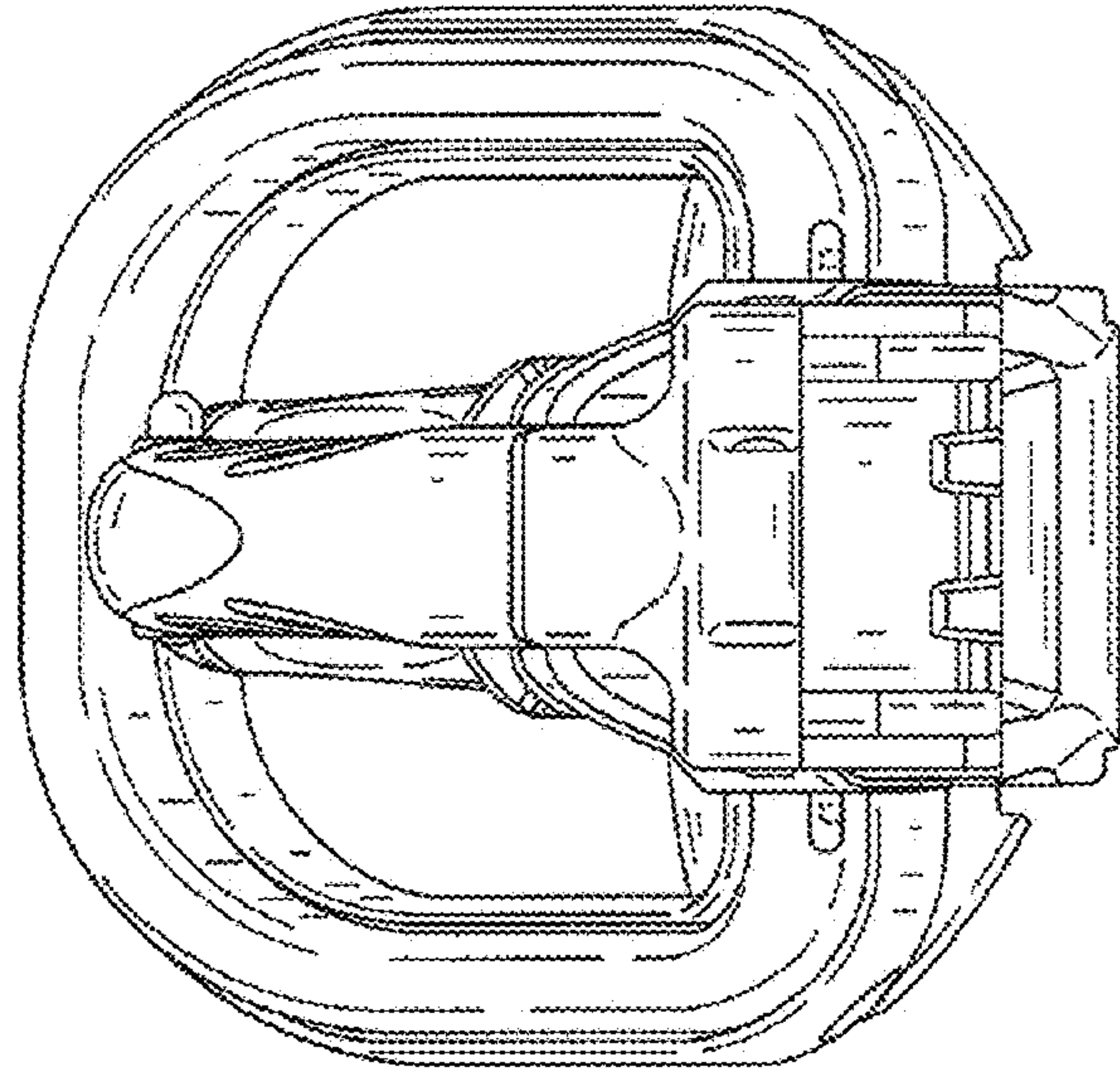


FIG. 6

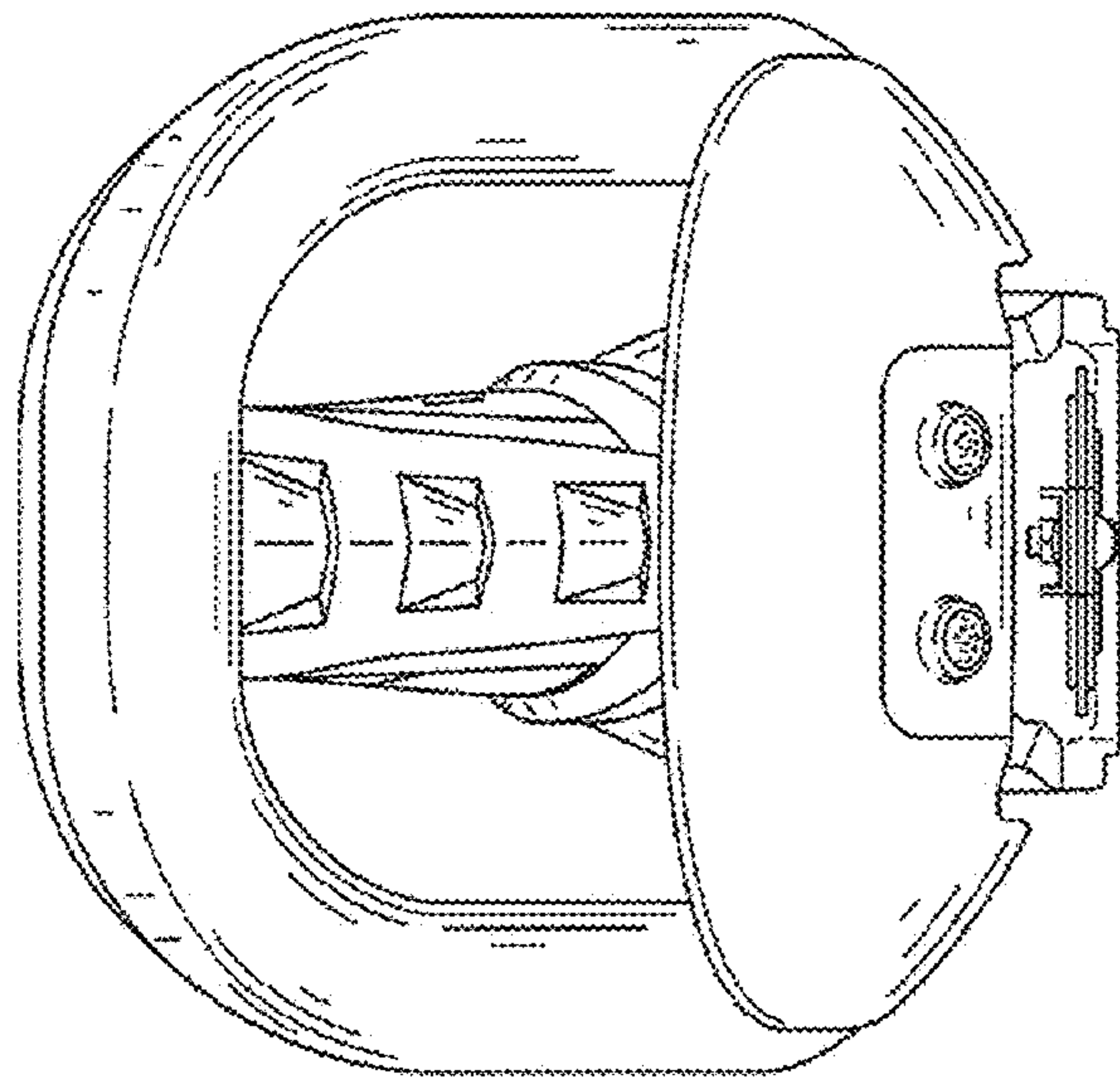


FIG. 7