



US00D650642S

(12) **United States Design Patent**
Fung

(10) **Patent No.:** **US D650,642 S**

(45) **Date of Patent:** **** Dec. 20, 2011**

(54) **MANDOLINE SLICER**

(75) Inventor: **Kam Fai Fung**, Hong Kong (CN)

(73) Assignee: **Conair Corporation**, Stamford, CT (US)

(**) Term: **14 Years**

(21) Appl. No.: **29/386,218**

(22) Filed: **Feb. 25, 2011**

(51) **LOC (9) Cl.** **07-04**

(52) **U.S. Cl.** **D7/673**

(58) **Field of Classification Search** D7/672-678,
D7/381, 382, 384, 372, 669, 368, 693; 241/93,
241/94, 37.5, 36, 273.1-273.4, 100, 285.1,
241/283, 285.2, 168, 169, 101.1; 83/651.1,
83/648, 856, 857, 932, 425.3, 431, 435.15,
83/437.7, 441.1, 247, 167, 13; 99/537, 588;
30/279.6, 280

See application file for complete search history.

(56) **References Cited**

U.S. PATENT DOCUMENTS

D326,388	S	*	5/1992	Boerner	D7/673
6,082,645	A	*	7/2000	Himmighofen et al.	241/168
6,732,622	B2	*	5/2004	Vincent	83/247
D495,218	S	*	8/2004	Yu	D7/673

D503,314	S	*	3/2005	Wong	D7/673
D505,301	S	*	5/2005	Wong	D7/673
D534,041	S	*	12/2006	De Buyer	D7/673
D535,162	S	*	1/2007	De Buyer	D7/673
D548,548	S	*	8/2007	Lee	D7/673
D573,853	S	*	7/2008	Ericsson	D7/672
7,543,768	B2	*	6/2009	Cohen et al.	241/36
2007/0089577	A1	*	4/2007	Wong	83/13

* cited by examiner

Primary Examiner — Terry Wallace

(74) *Attorney, Agent, or Firm* — McCormick Paulding & Huber LLP

(57) **CLAIM**

The ornamental design for a mandoline slicer, as shown and described.

DESCRIPTION

FIG. 1 is a perspective view of a mandoline slicer showing a new design;

FIG. 2 is a front elevational view thereof;

FIG. 3 is a rear elevational view thereof;

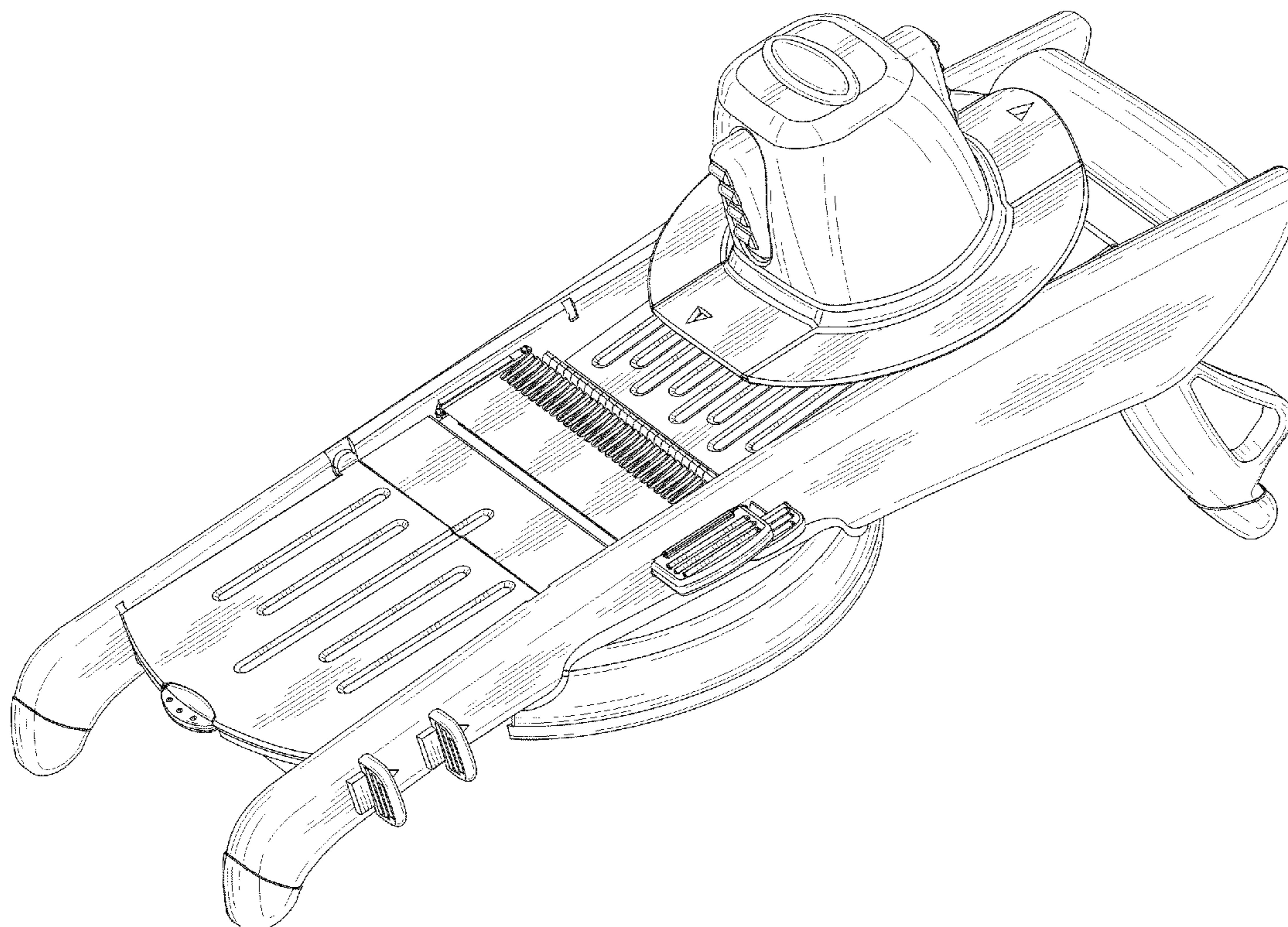
FIG. 4 is a right side elevational view thereof;

FIG. 5 is a left side elevation view thereof;

FIG. 6 is a top plan view thereof; and,

FIG. 7 is a bottom plan view thereof.

1 Claim, 6 Drawing Sheets



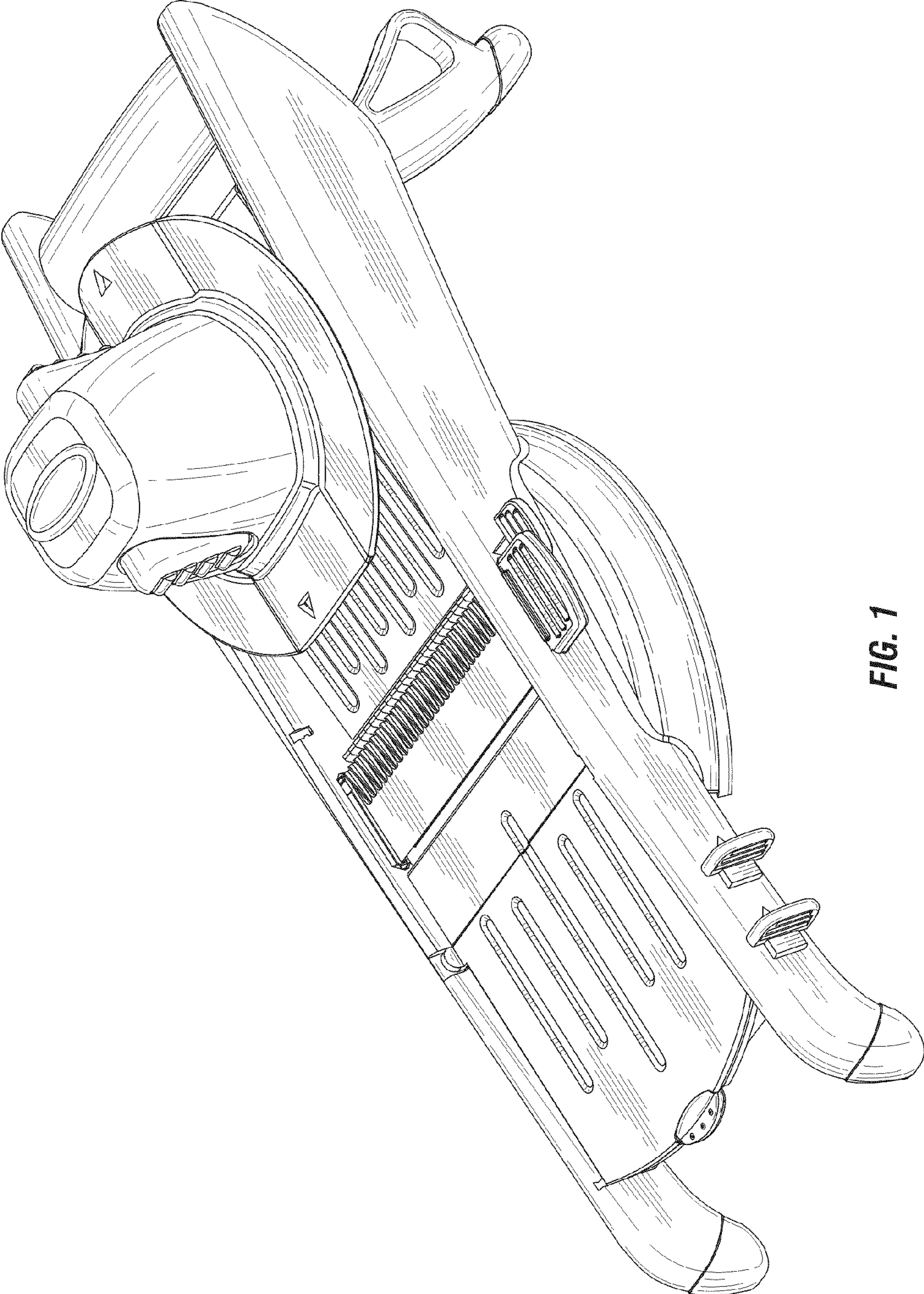


FIG. 1

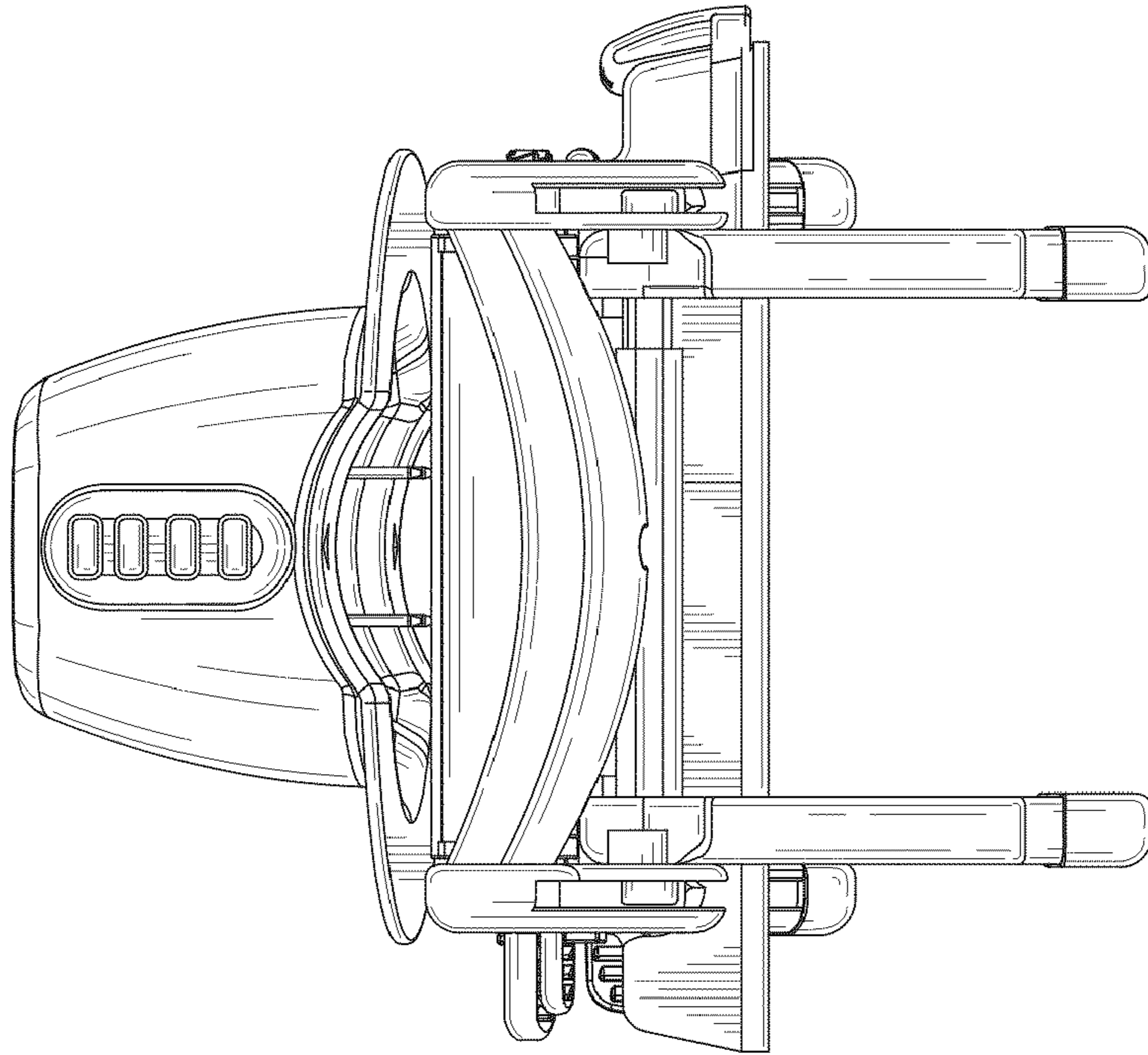


FIG. 3

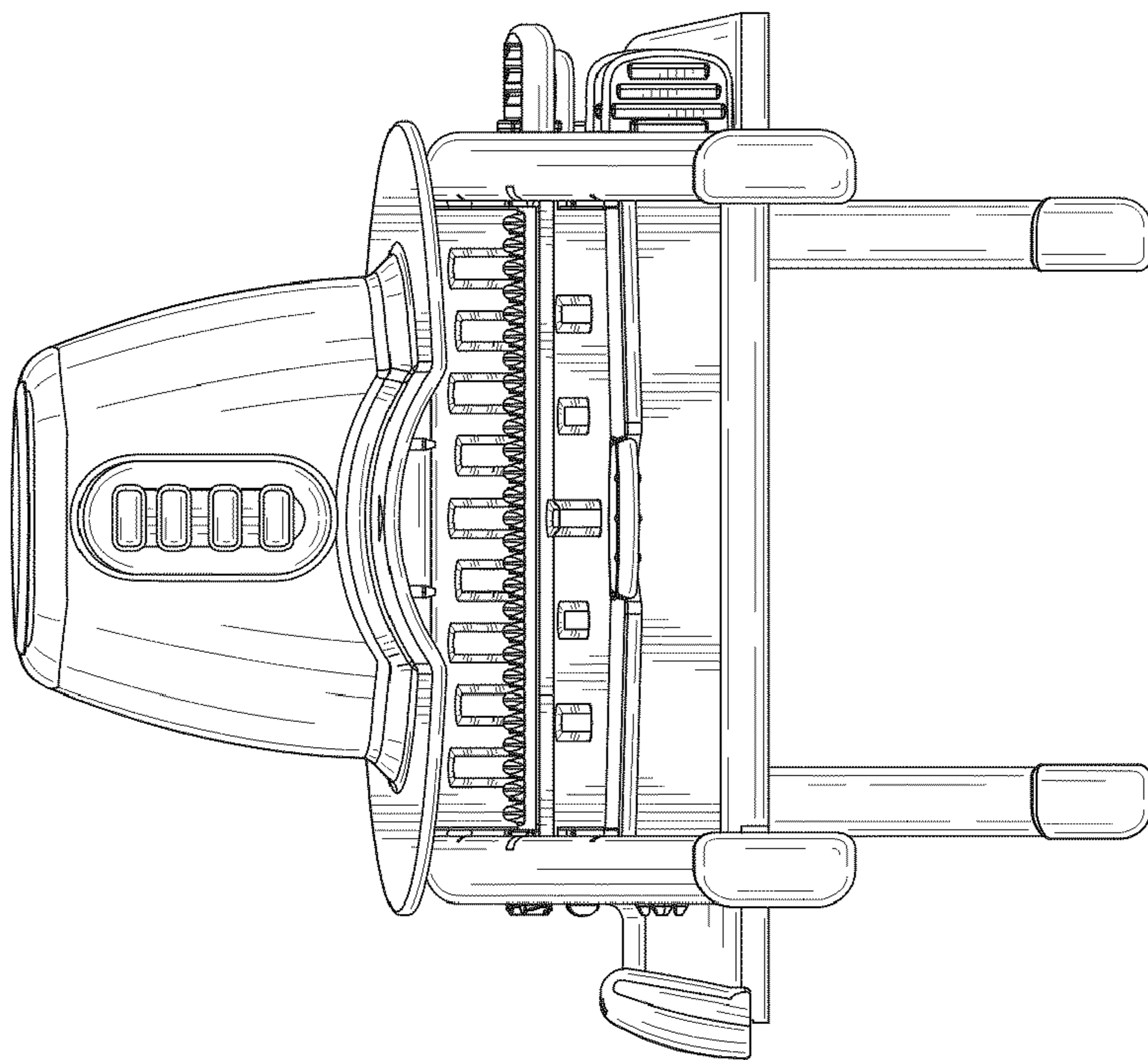


FIG. 2

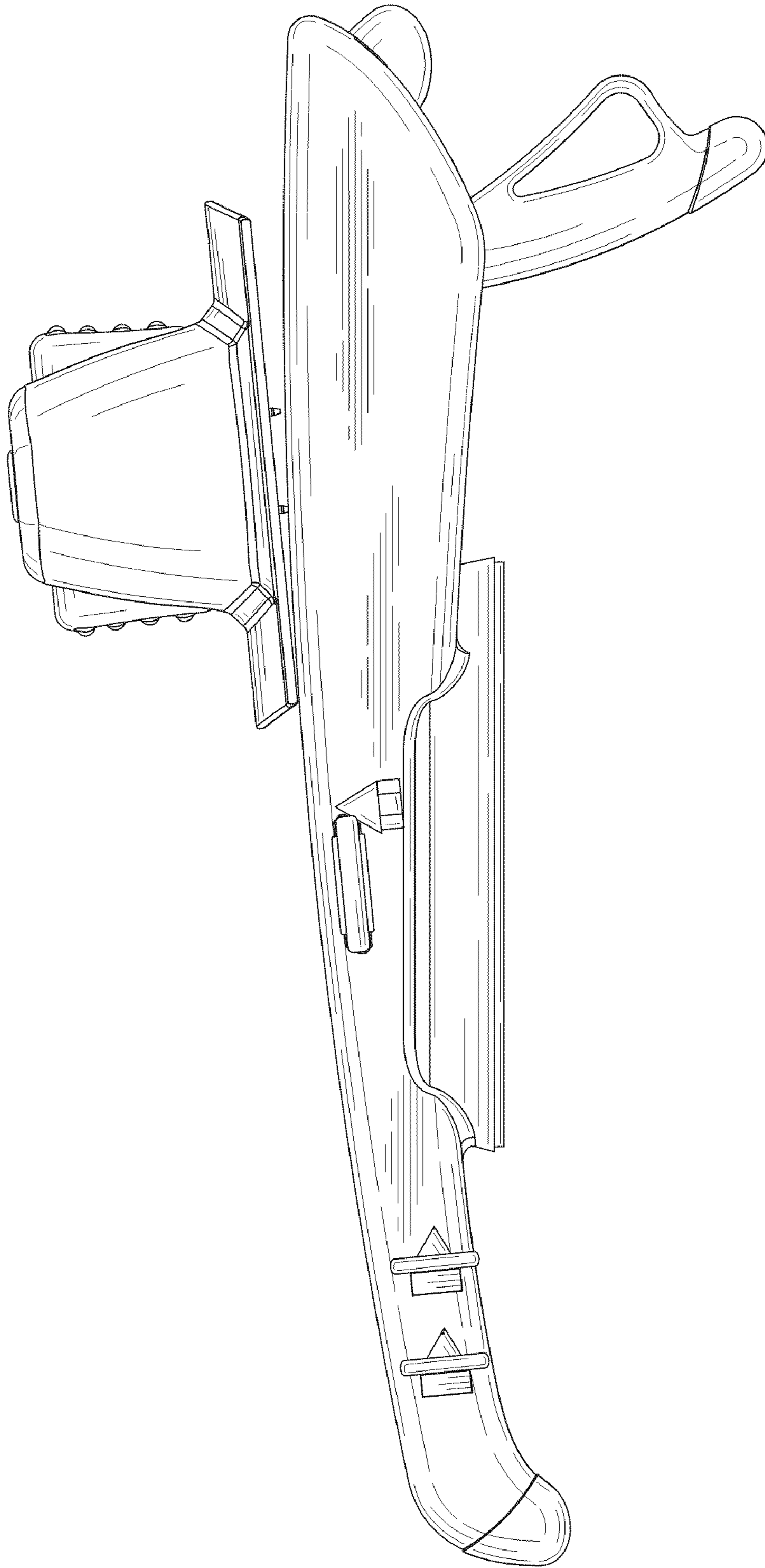


FIG. 4

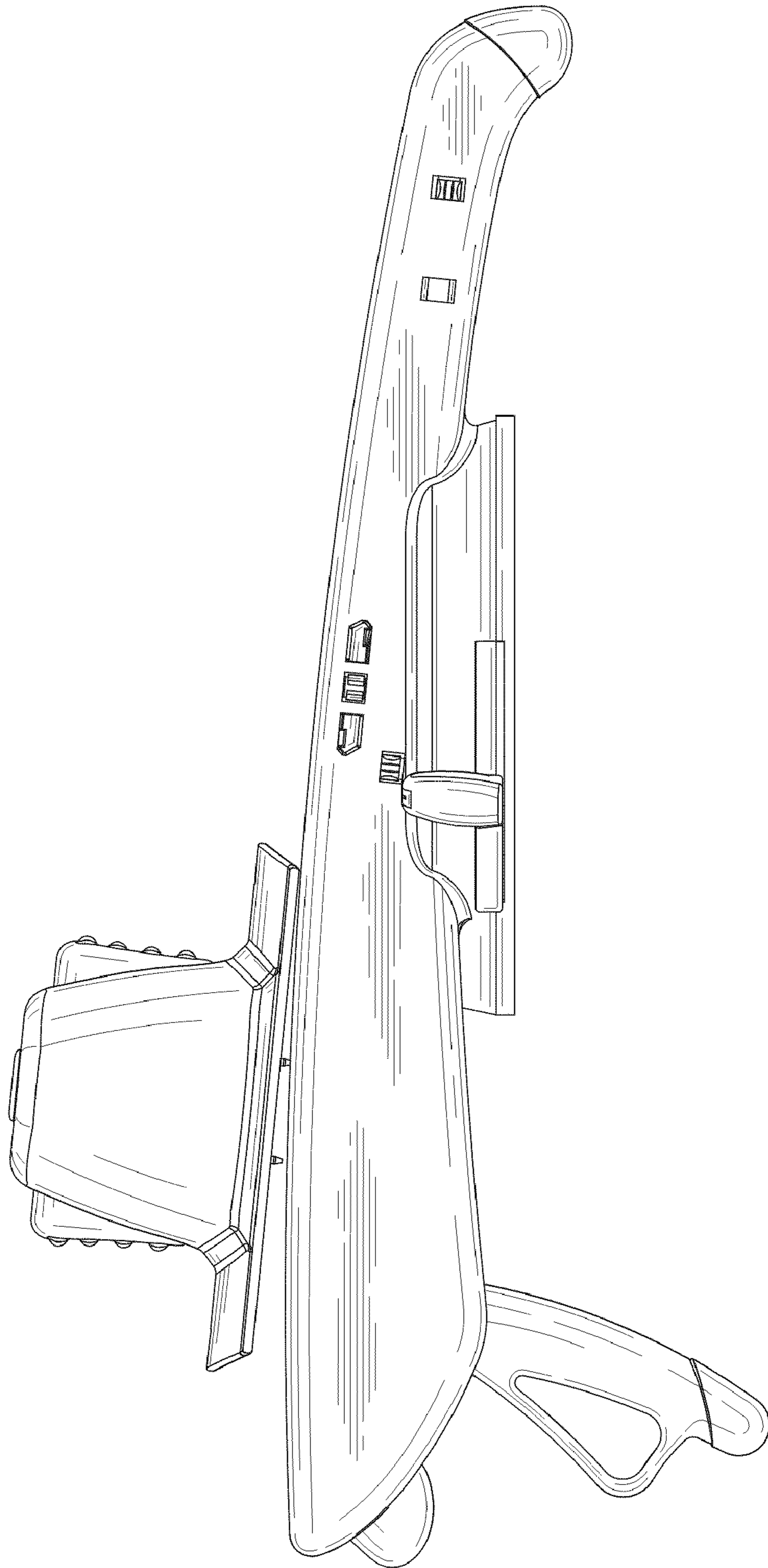


FIG. 5

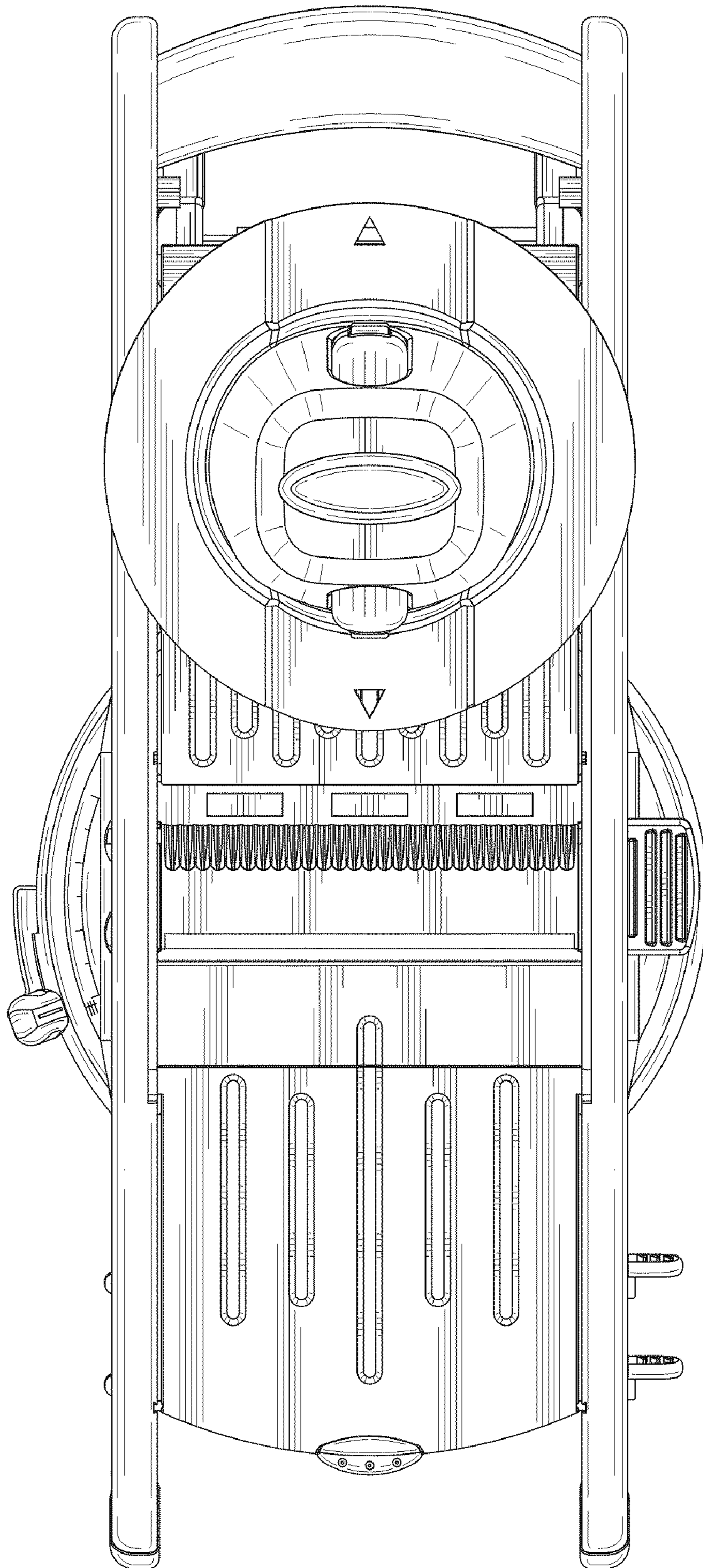


FIG. 6

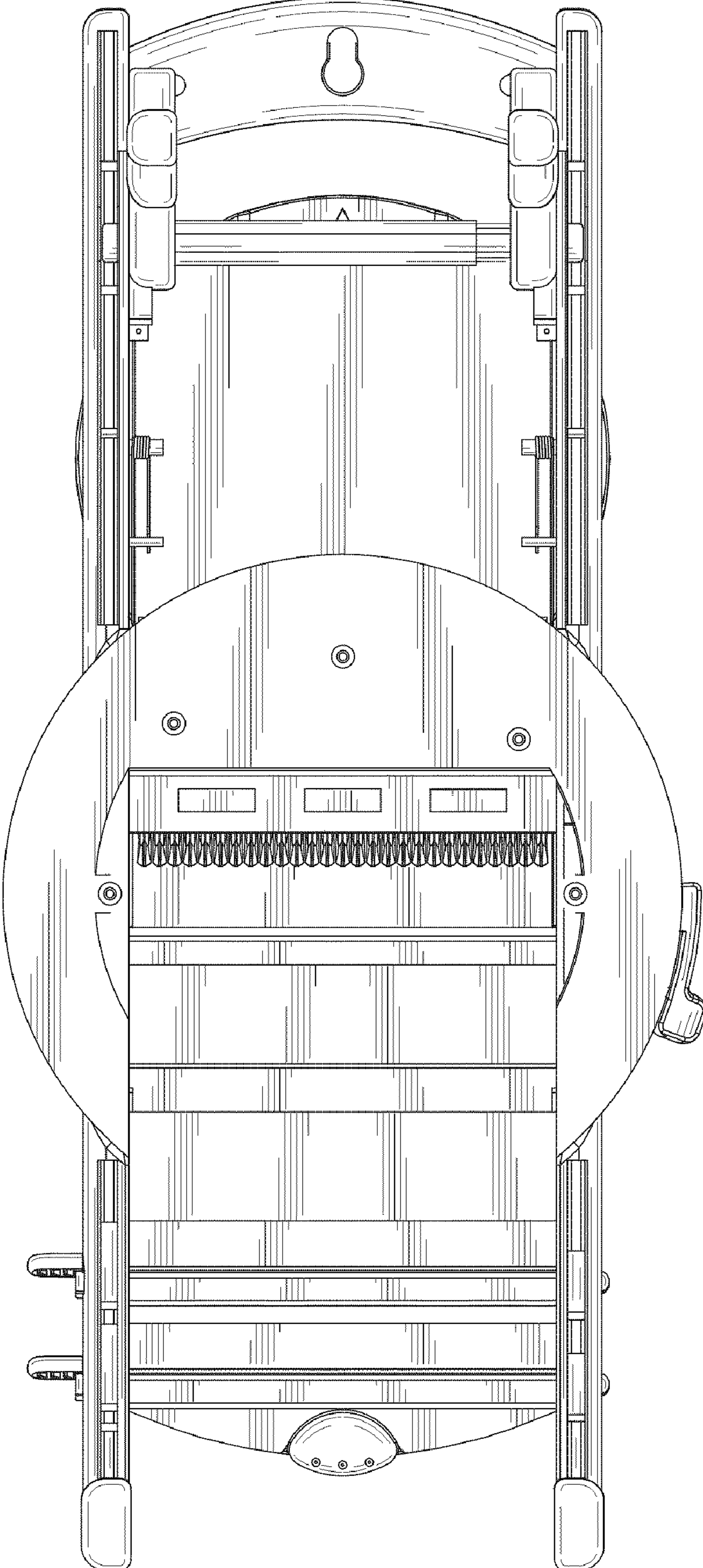


FIG. 7