

US00D650641S

(12) **United States Design Patent**
Fung et al.

(10) **Patent No.:** **US D650,641 S**

(45) **Date of Patent:** **** Dec. 20, 2011**

(54) **JUICE EXTRACTOR**

(75) Inventors: **Kam Fai Fung**, Tuen Mun (HK);
Anthony Kit Lun Leung, North Point
(HK)

(73) Assignee: **Conair Corporation**, Stamford, CT
(US)

(**) Term: **14 Years**

(21) Appl. No.: **29/360,228**

(22) Filed: **Apr. 22, 2010**

(51) **LOC (9) Cl.** **31-00**

(52) **U.S. Cl.** **D7/665**

(58) **Field of Classification Search** D7/665,
D7/666, 368, 381, 384, 376-378; 99/501-513,
99/495, 499, 348, 357; 241/30, 36, 37.5,
241/92, 100, 101.1-101.2, 282.1, 285.1-285.3;
366/64-67, 98, 142, 197-211, 241-254,
366/279-292, 341-347

See application file for complete search history.

(56) **References Cited**

U.S. PATENT DOCUMENTS

D333,947 S * 3/1993 Markee et al. D7/665
D439,808 S * 4/2001 McClean et al. D7/665
6,609,455 B2 * 8/2003 Fouquet 99/511

D522,321 S * 6/2006 Hsu D7/665
D526,540 S * 8/2006 Cohen et al. D7/665
D538,116 S * 3/2007 Siu D7/665
D566,486 S * 4/2008 Wu D7/665
D594,717 S * 6/2009 Wu Chang D7/665
2003/0052206 A1 * 3/2003 Fouquet 241/92

* cited by examiner

Primary Examiner — Terry Wallace

(74) *Attorney, Agent, or Firm* — Lawrence Cruz

(57) **CLAIM**

The ornamental design for a juice extractor, as shown and described.

DESCRIPTION

FIG. 1 is a perspective view of a juice extractor showing a new design;

FIG. 2 is front elevational view thereof;

FIG. 3 is a rear elevational view thereof;

FIG. 4 is a left side elevational view thereof;

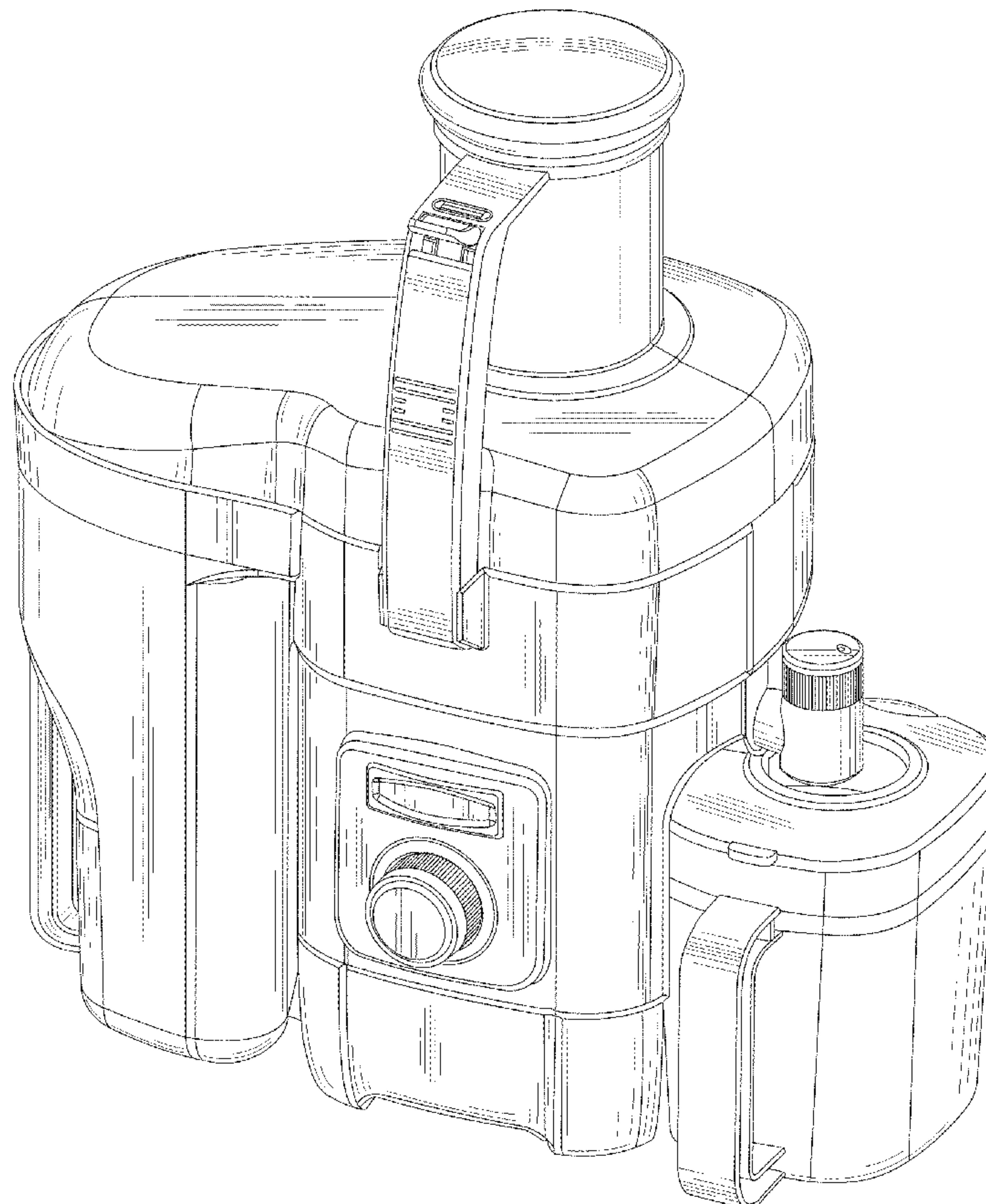
FIG. 5 is a right side elevational view thereof;

FIG. 6 is a top plan view thereof; and,

FIG. 7 is a bottom plan view thereof.

The broken lines are for illustrative purposes only and form no part of the claimed design.

1 Claim, 7 Drawing Sheets



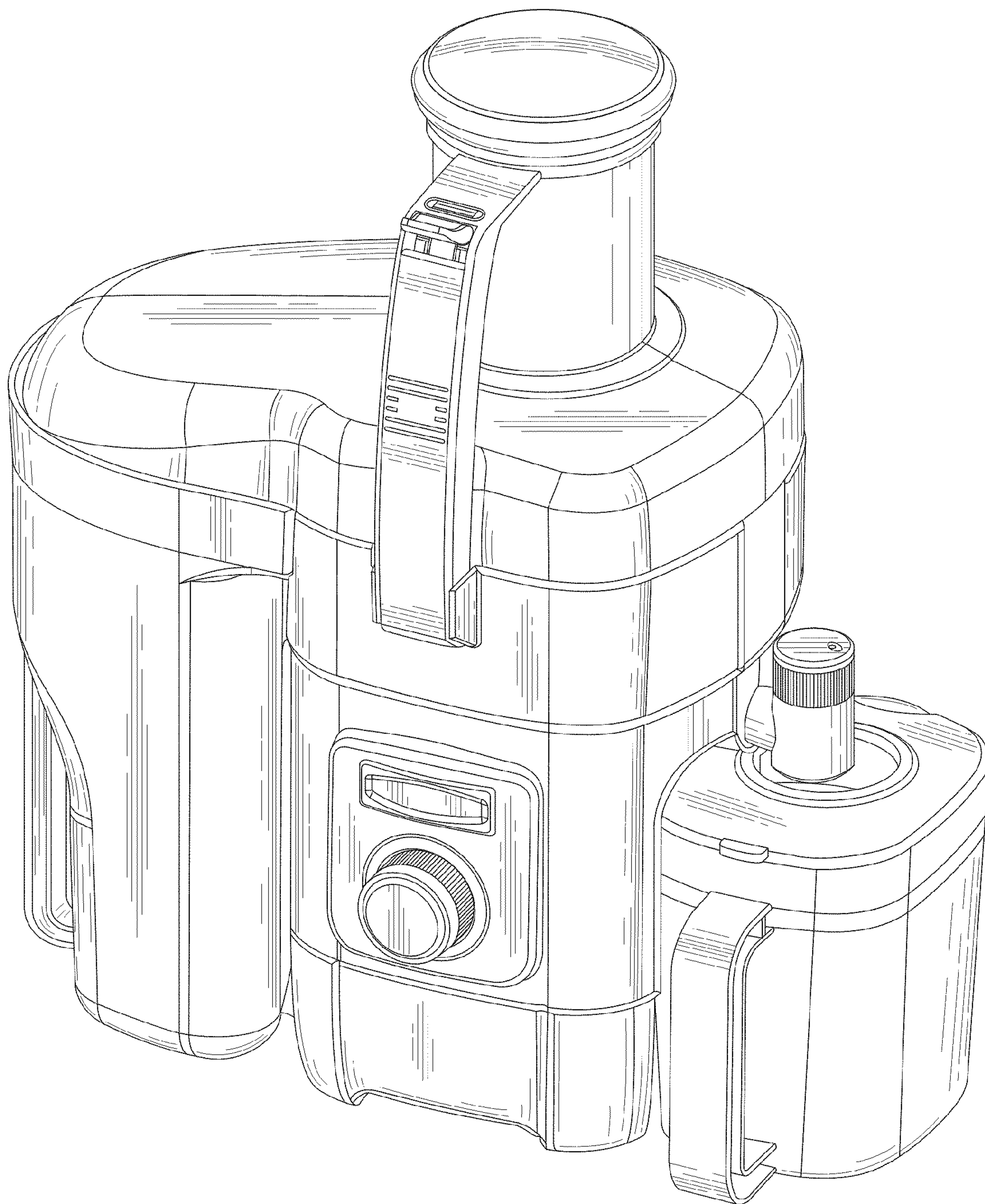


FIG. 1

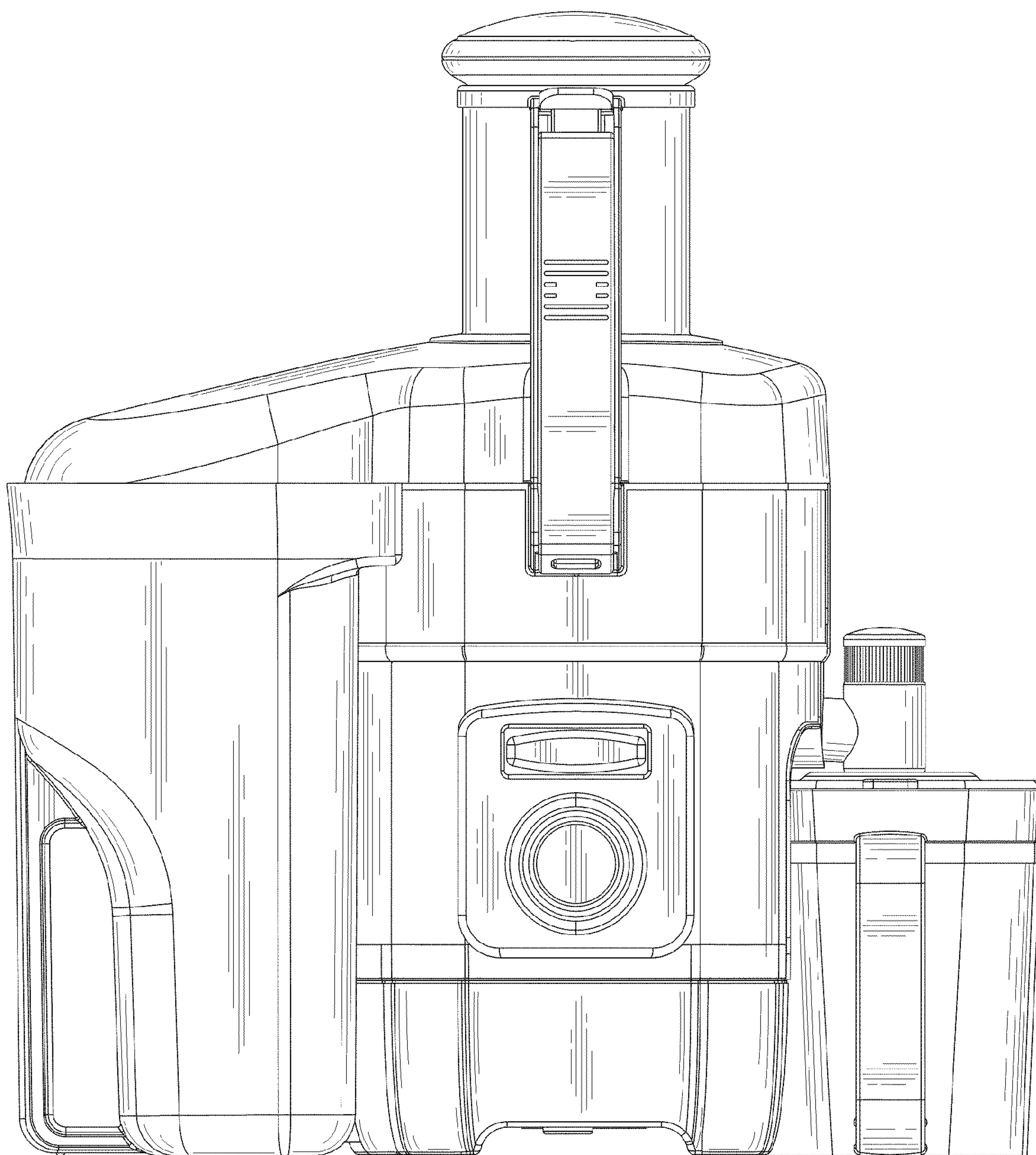


FIG. 2

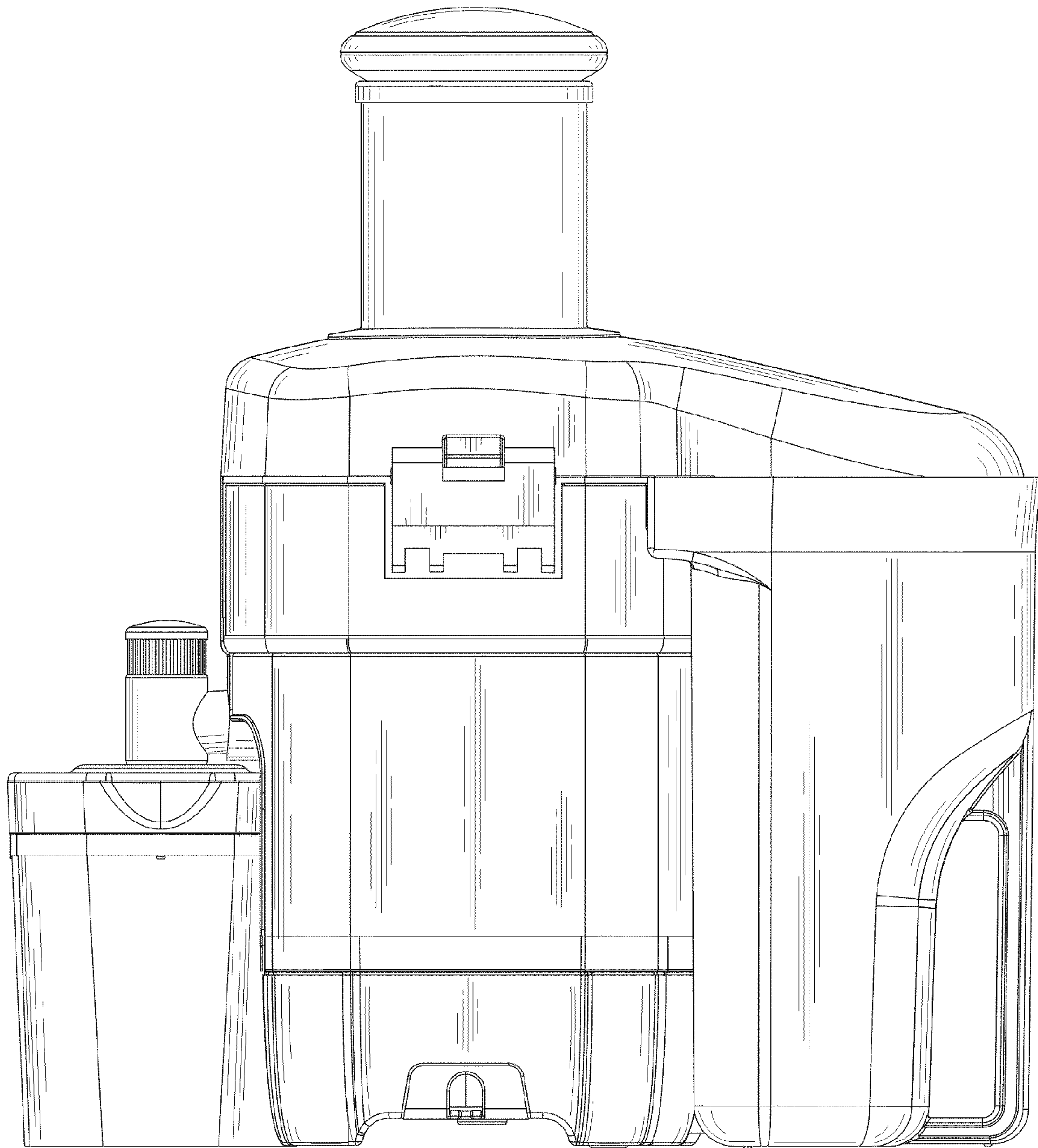


FIG. 3

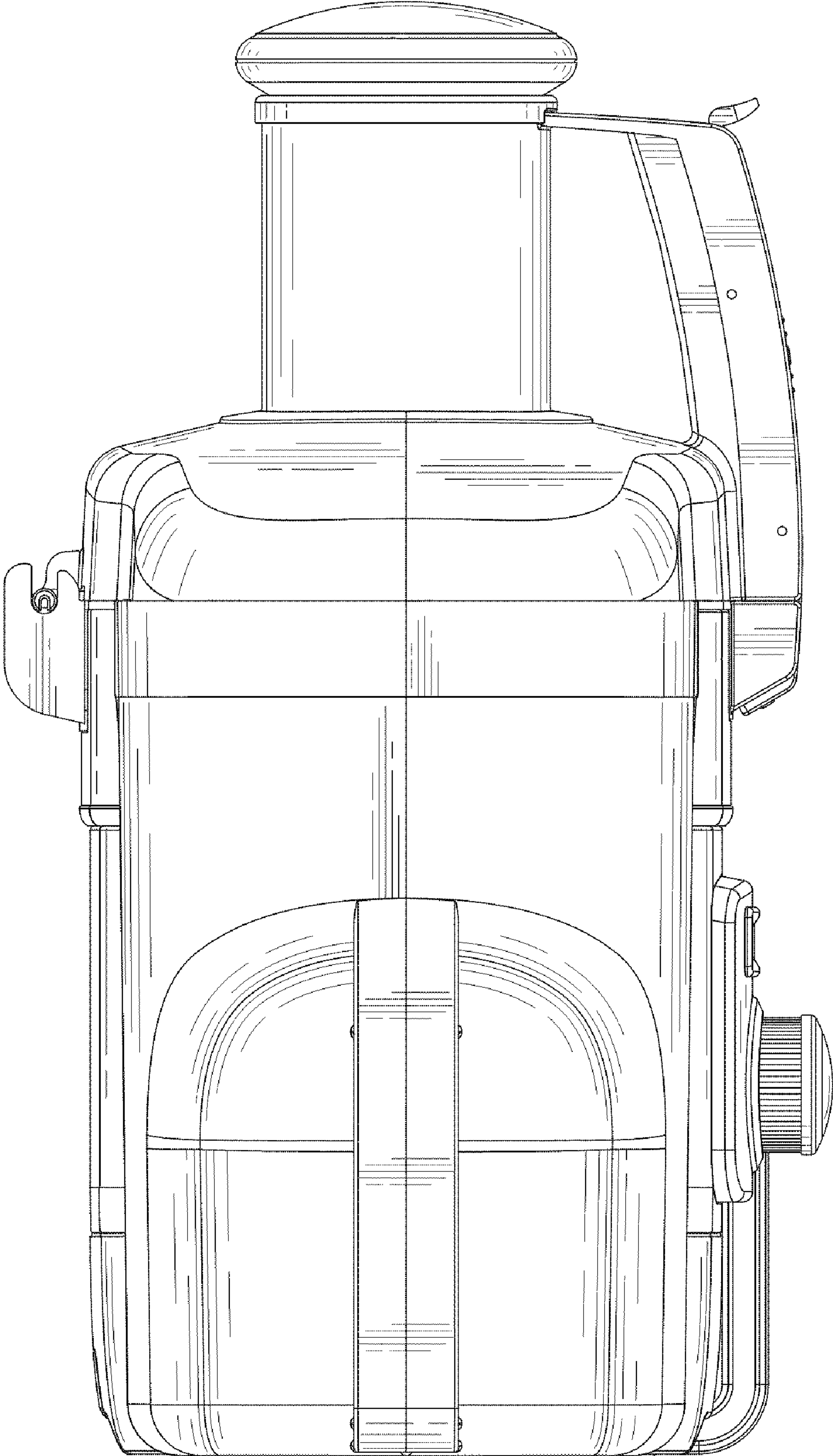


FIG. 4

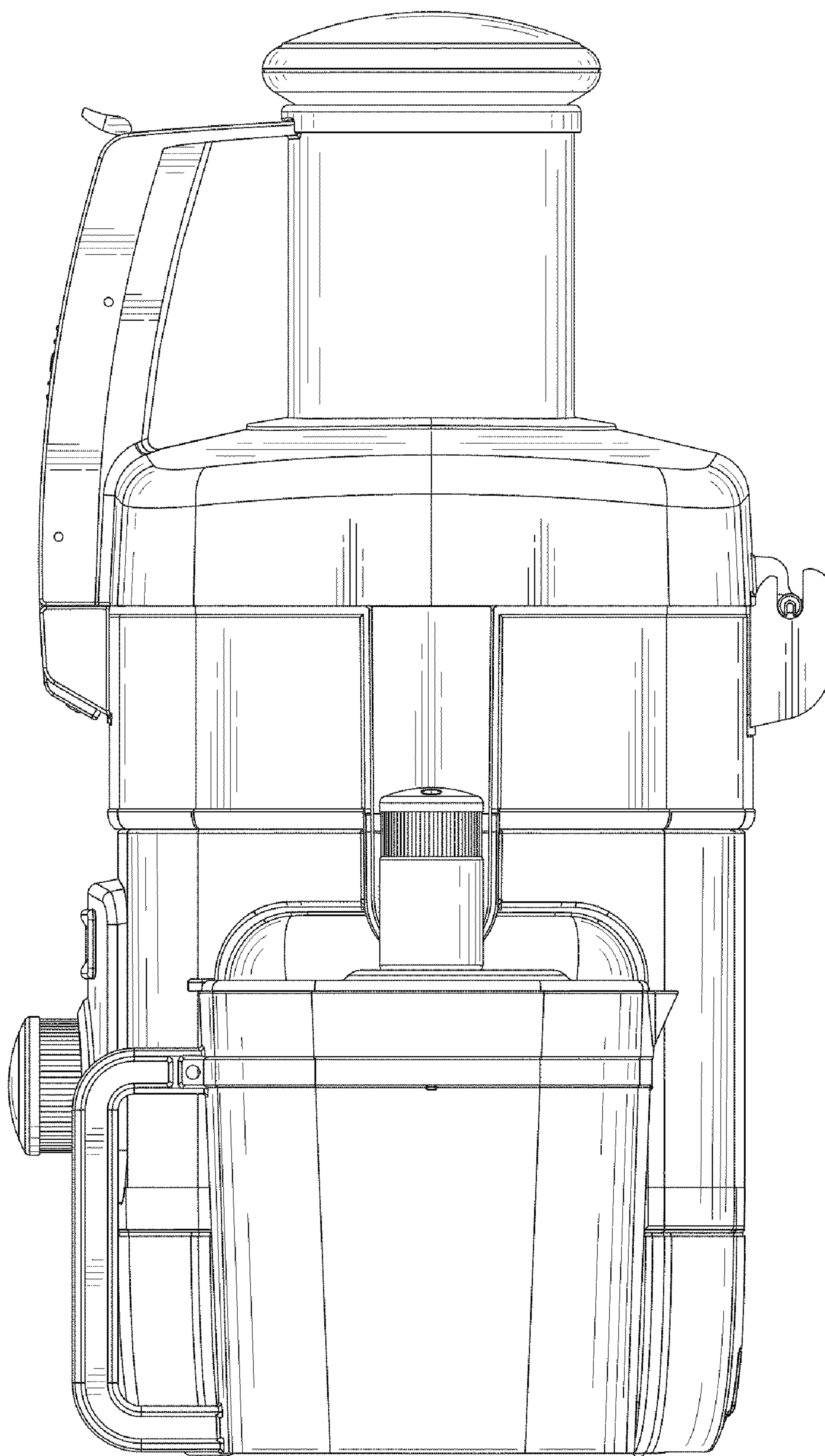


FIG. 5

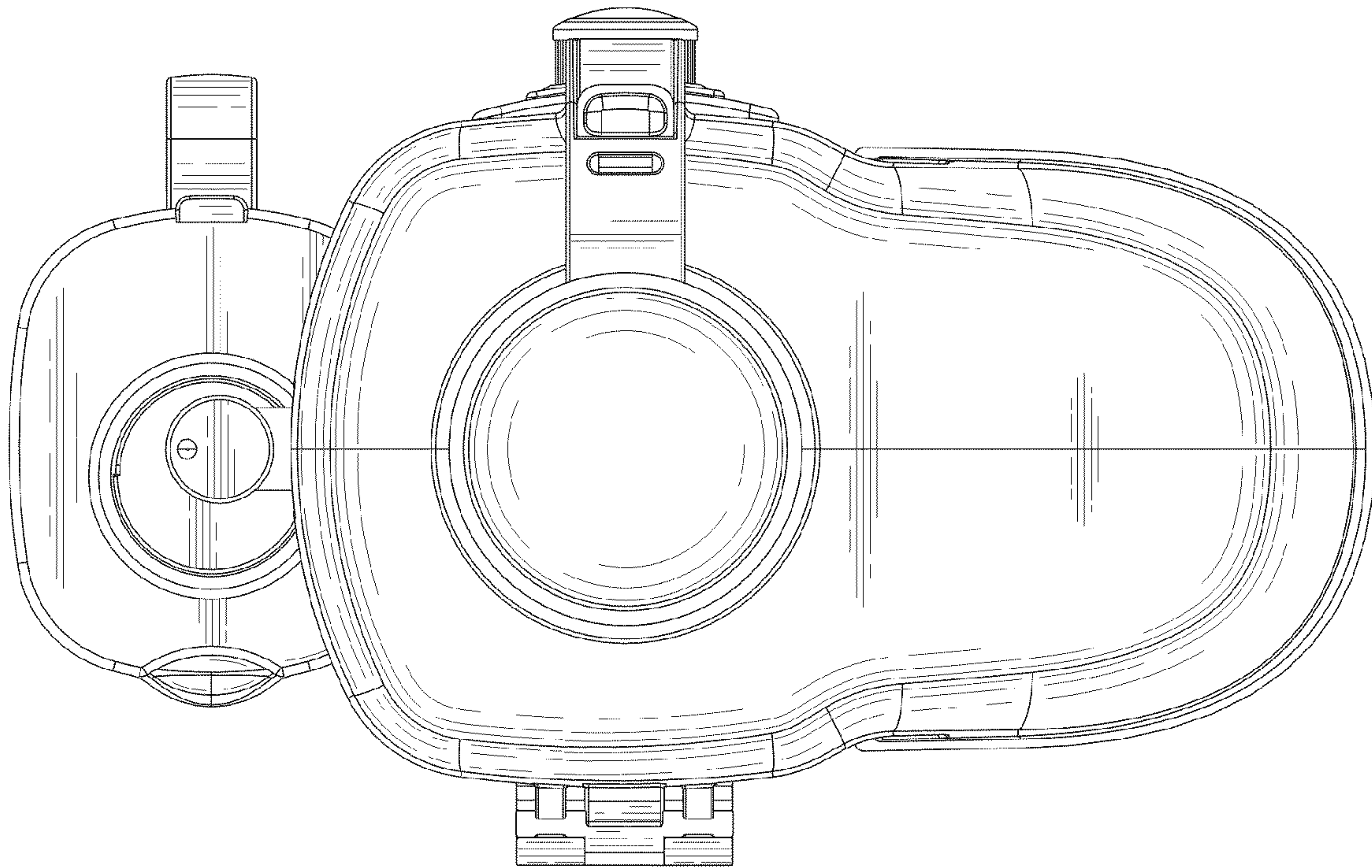


FIG. 6

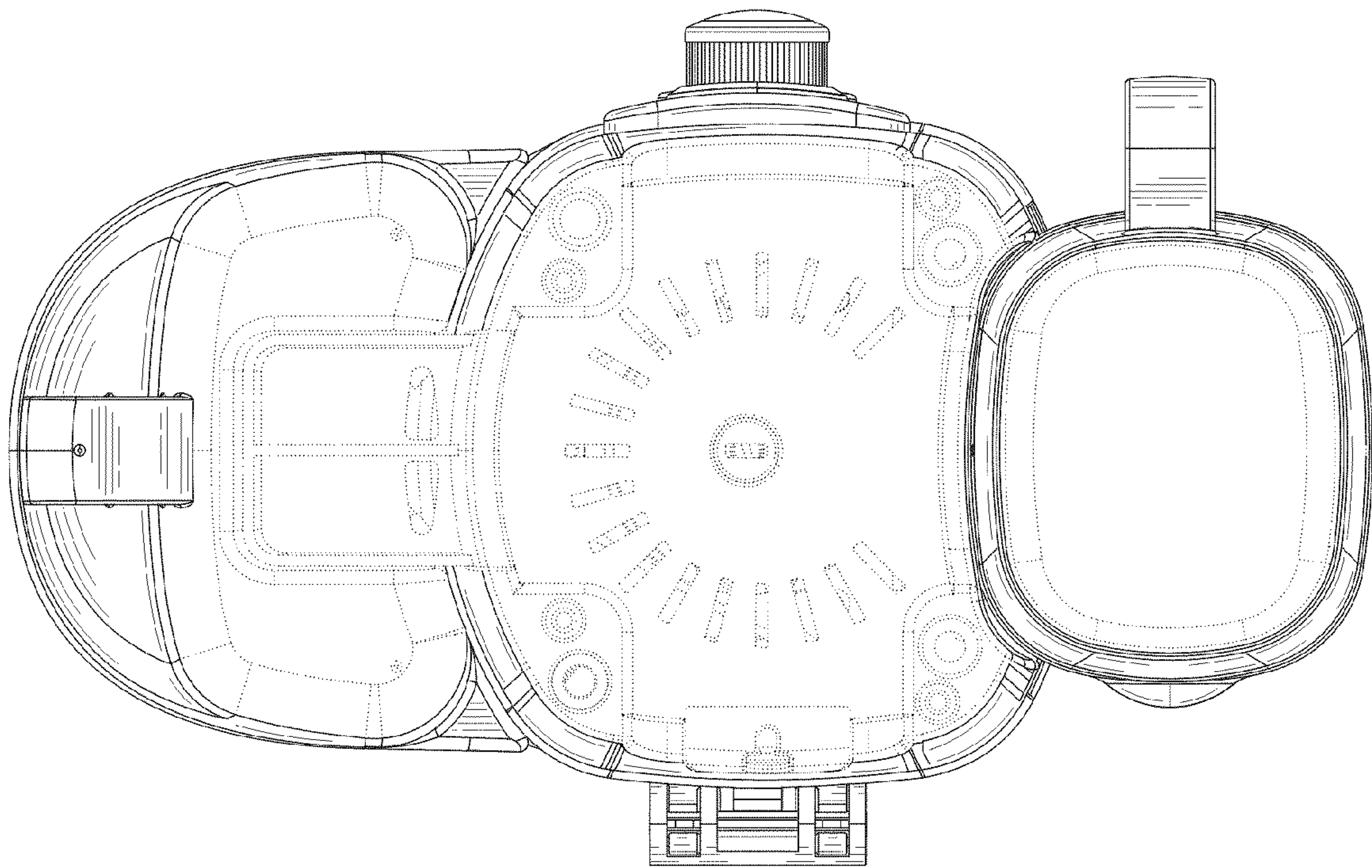


FIG. 7