



US00D650640S

(12) **United States Design Patent**  
**Seehoff et al.**

(10) **Patent No.:** **US D650,640 S**

(45) **Date of Patent:** **\*\* Dec. 20, 2011**

(54) **FOOD HOLDER**

(75) Inventors: **Gary Stanley Seehoff**, Encino, CA  
(US); **Huy Kha Nguyen**, Anaheim, CA  
(US)

(73) Assignee: **Evrholder Products, LLC**, Anaheim,  
CA (US)

(\*\*) Term: **14 Years**

(21) Appl. No.: **29/388,265**

(22) Filed: **Mar. 26, 2011**

(51) **LOC (9) Cl.** ..... **07-07**

(52) **U.S. Cl.** ..... **D7/629**

(58) **Field of Classification Search** ..... D7/602,  
D7/629, 630, 538-542, 612-615, 584, 586,  
D7/587; D9/424-432; 220/669-673, 675,  
220/574-575, 573.1, 660, 236, 780-806  
See application file for complete search history.

(56) **References Cited**

U.S. PATENT DOCUMENTS

4,420,093 A \* 12/1983 Von Holdt ..... 220/782  
5,150,804 A \* 9/1992 Blanchet et al. .... 220/380  
D350,460 S \* 9/1994 Picozza et al. .... D7/629

5,409,126 A \* 4/1995 DeMars ..... 220/4.27  
D376,512 S \* 12/1996 Klemme ..... D7/538  
D412,373 S \* 7/1999 Krawec et al. .... D7/615  
D446,084 S \* 8/2001 Schulein ..... D7/629  
D447,011 S \* 8/2001 Liu ..... D7/615  
D479,951 S \* 9/2003 Segura ..... D7/608  
D622,554 S \* 8/2010 Carreno ..... D7/629

\* cited by examiner

*Primary Examiner* — Terry Wallace

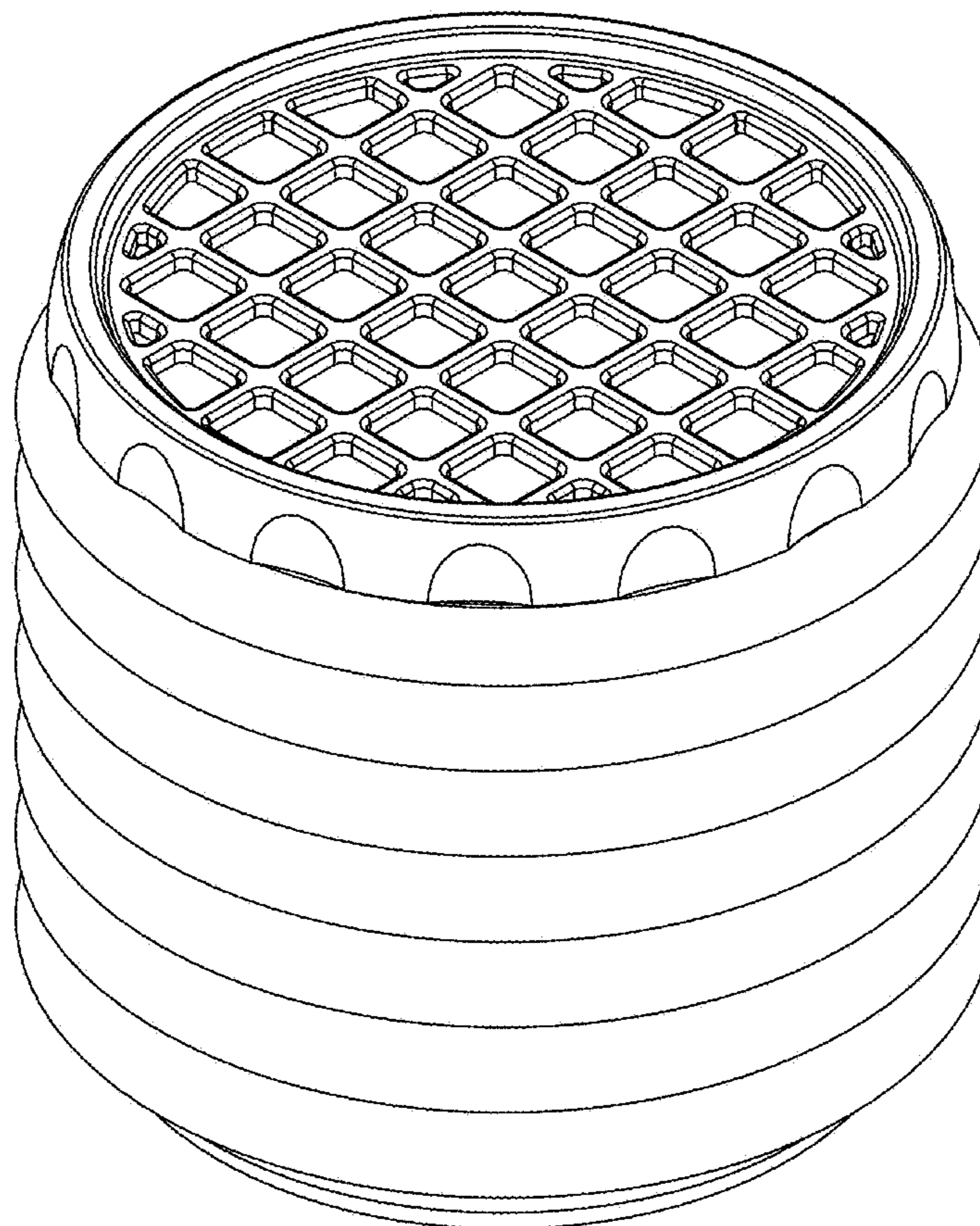
(57) **CLAIM**

The ornamental design for a food holder, as shown and described.

**DESCRIPTION**

FIG. 1 illustrates a top view of the claimed design for a food holder;  
FIG. 2 illustrates a front view thereof;  
FIG. 3 illustrates a left-side view thereof;  
FIG. 4 illustrates a right-side view thereof;  
FIG. 5 illustrates a rear view thereof;  
FIG. 6 illustrates a bottom view thereof;  
FIG. 7 illustrates a cross-sectional view thereof, taken along line 7-7 of FIG. 2;  
FIG. 8 illustrates a perspective view thereof; and,  
FIG. 9 illustrates an exploded view thereof.

**1 Claim, 9 Drawing Sheets**



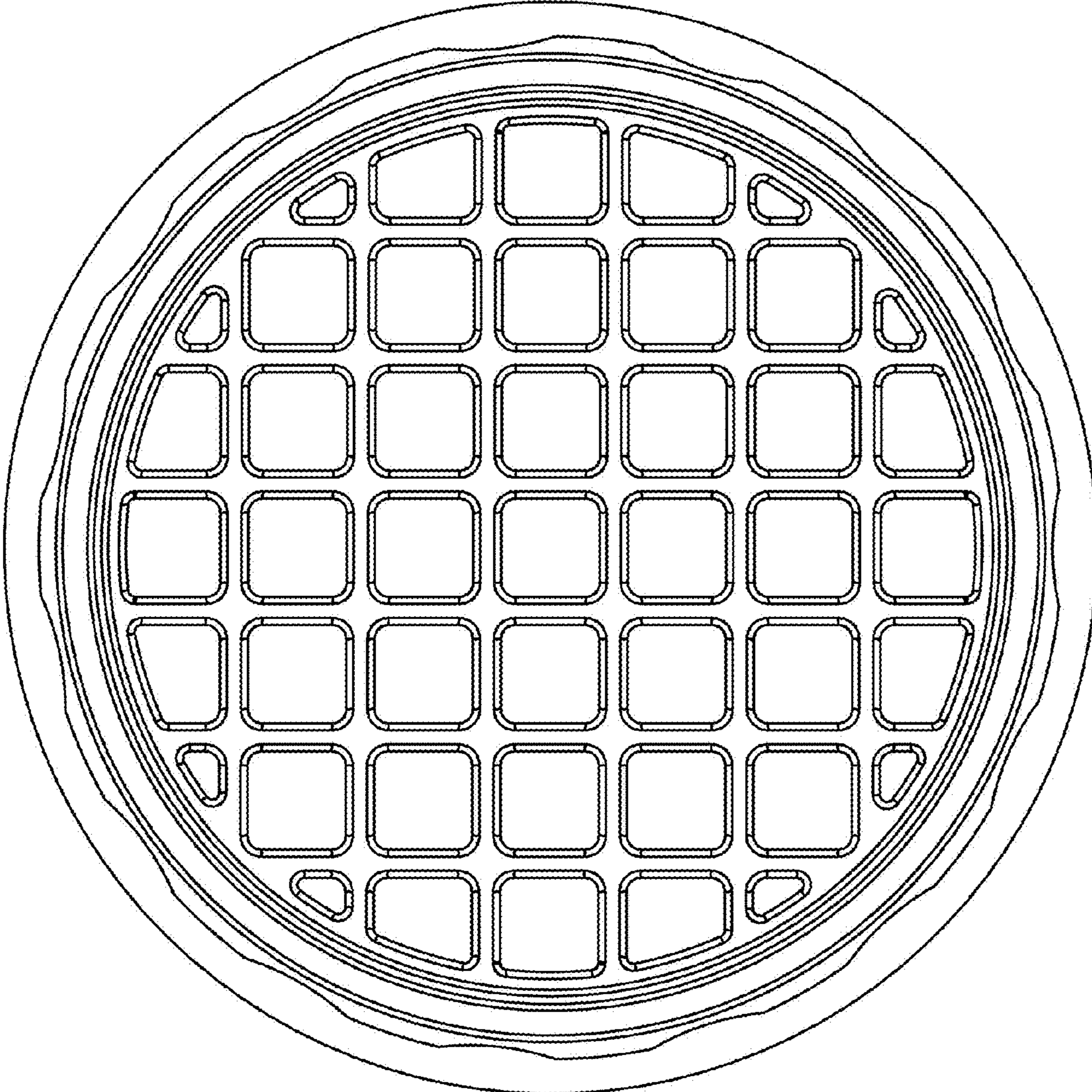


Fig. 1

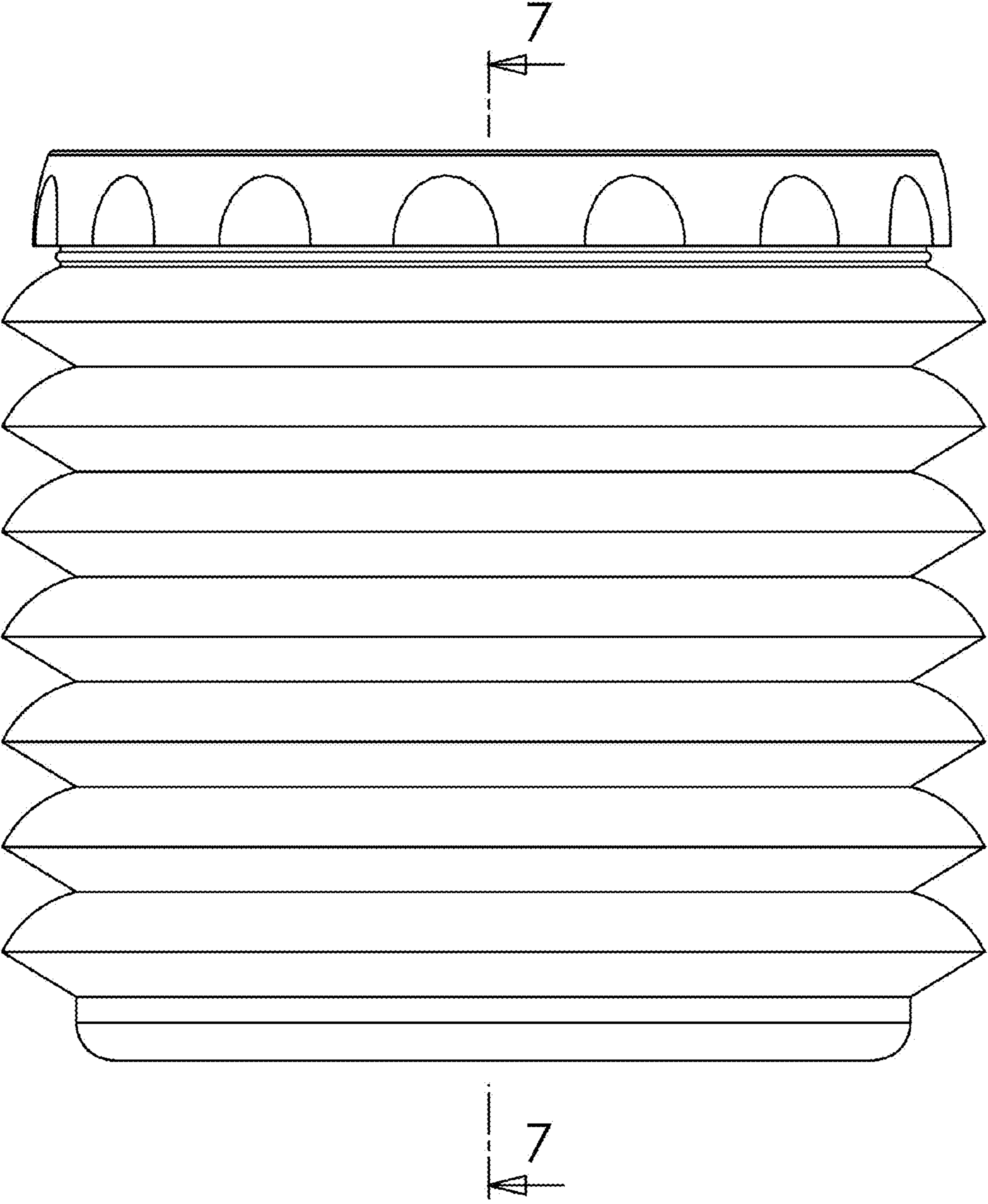


Fig. 2

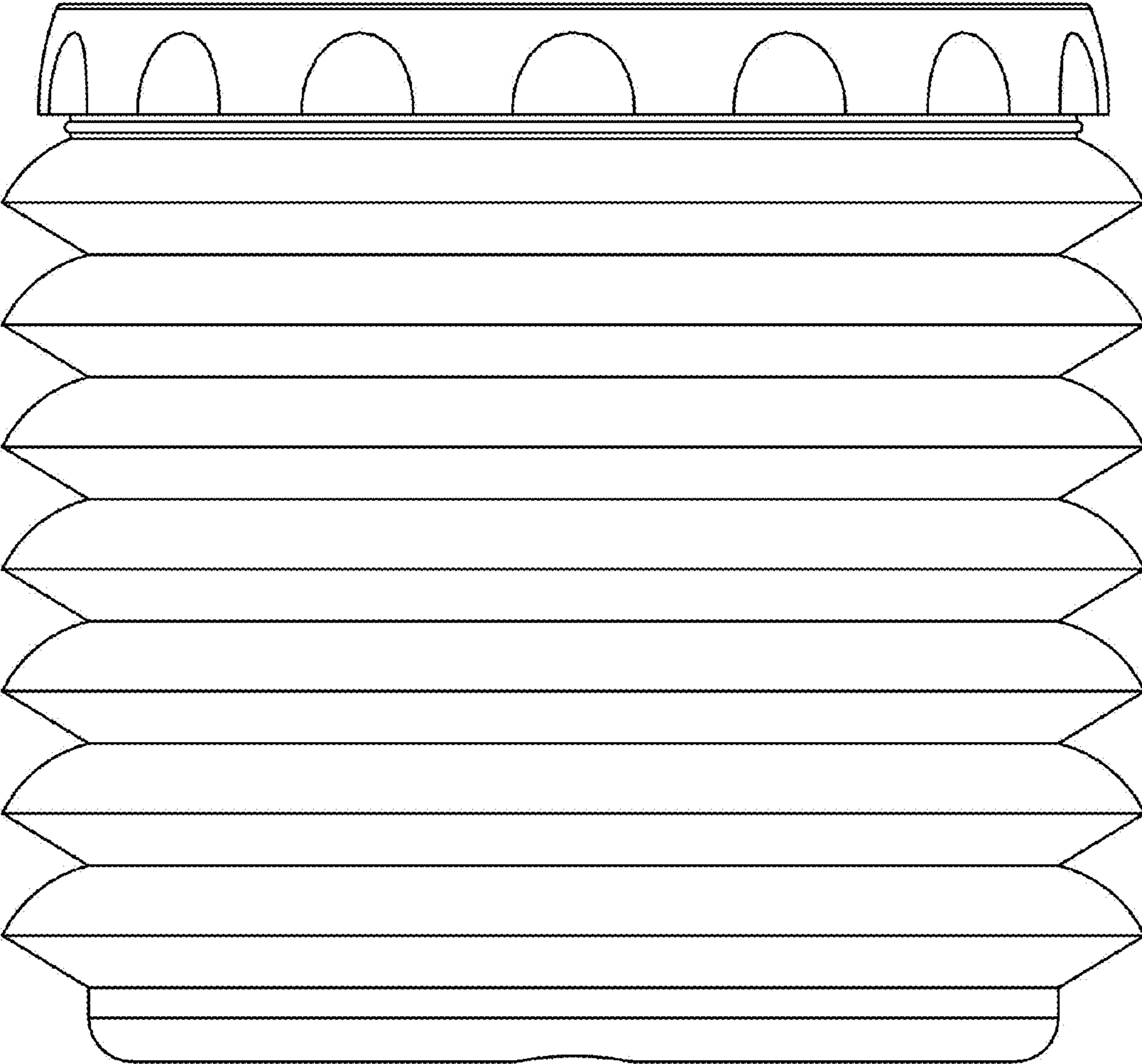


Fig. 3

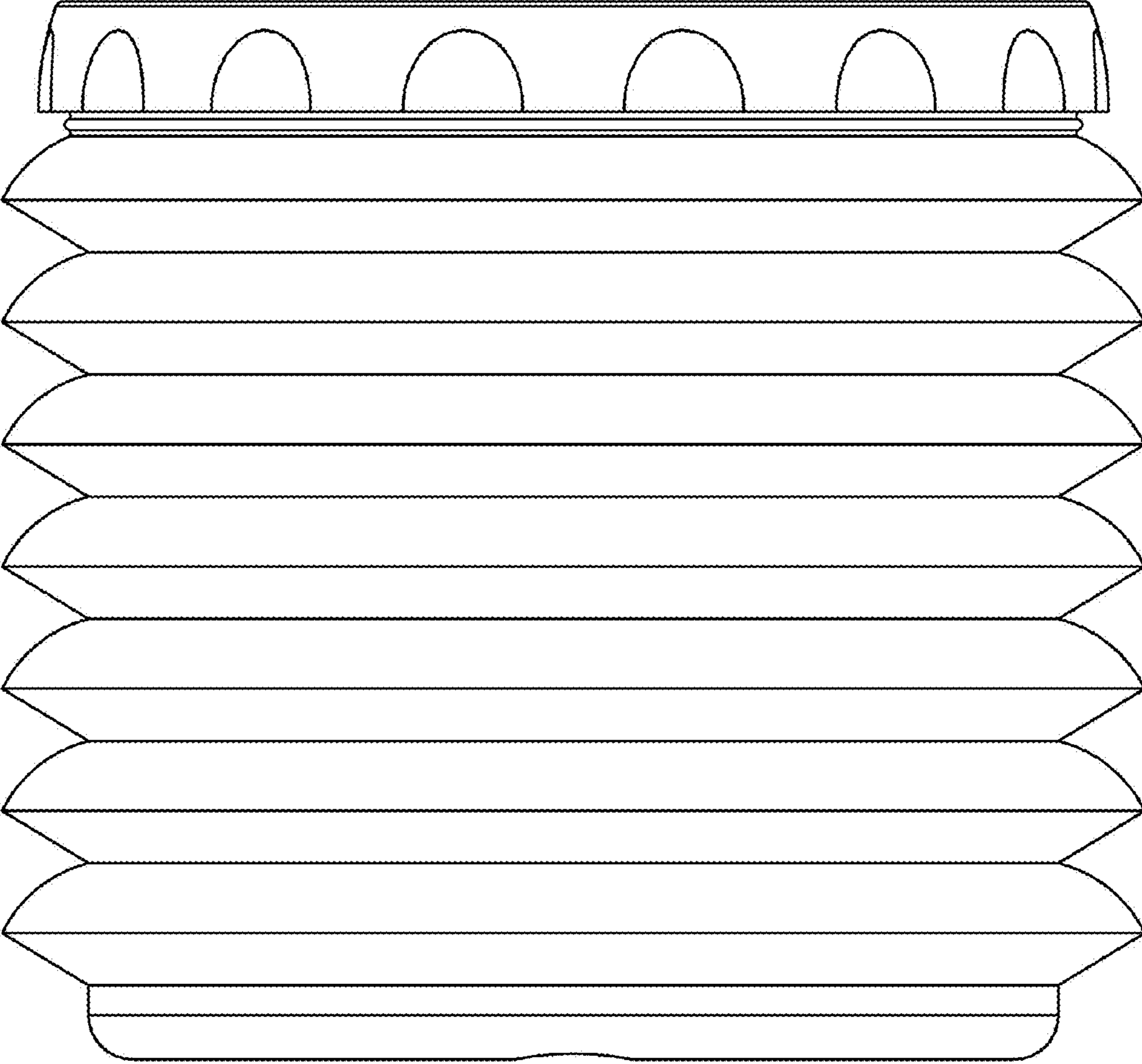


Fig. 4

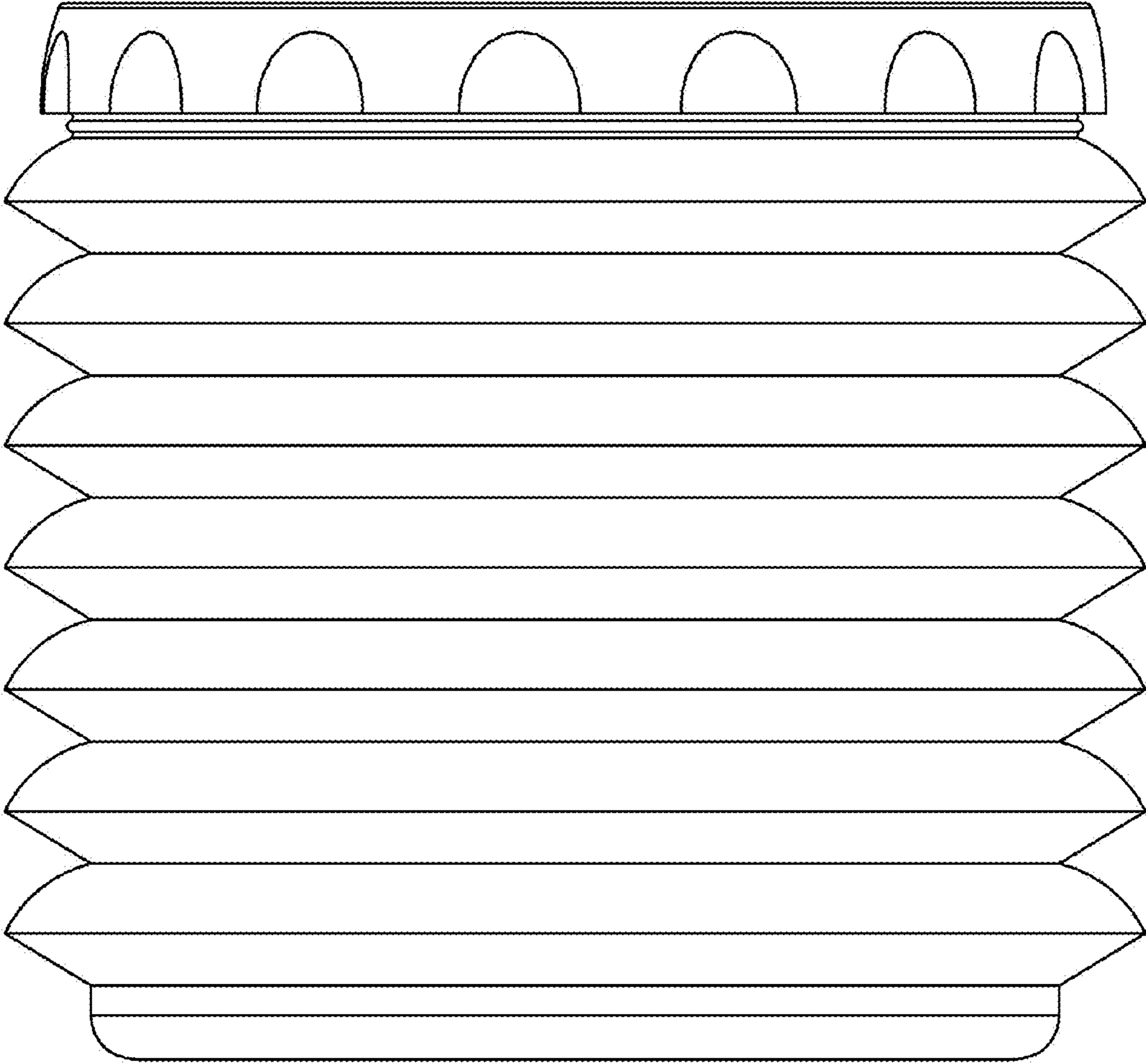


Fig. 5

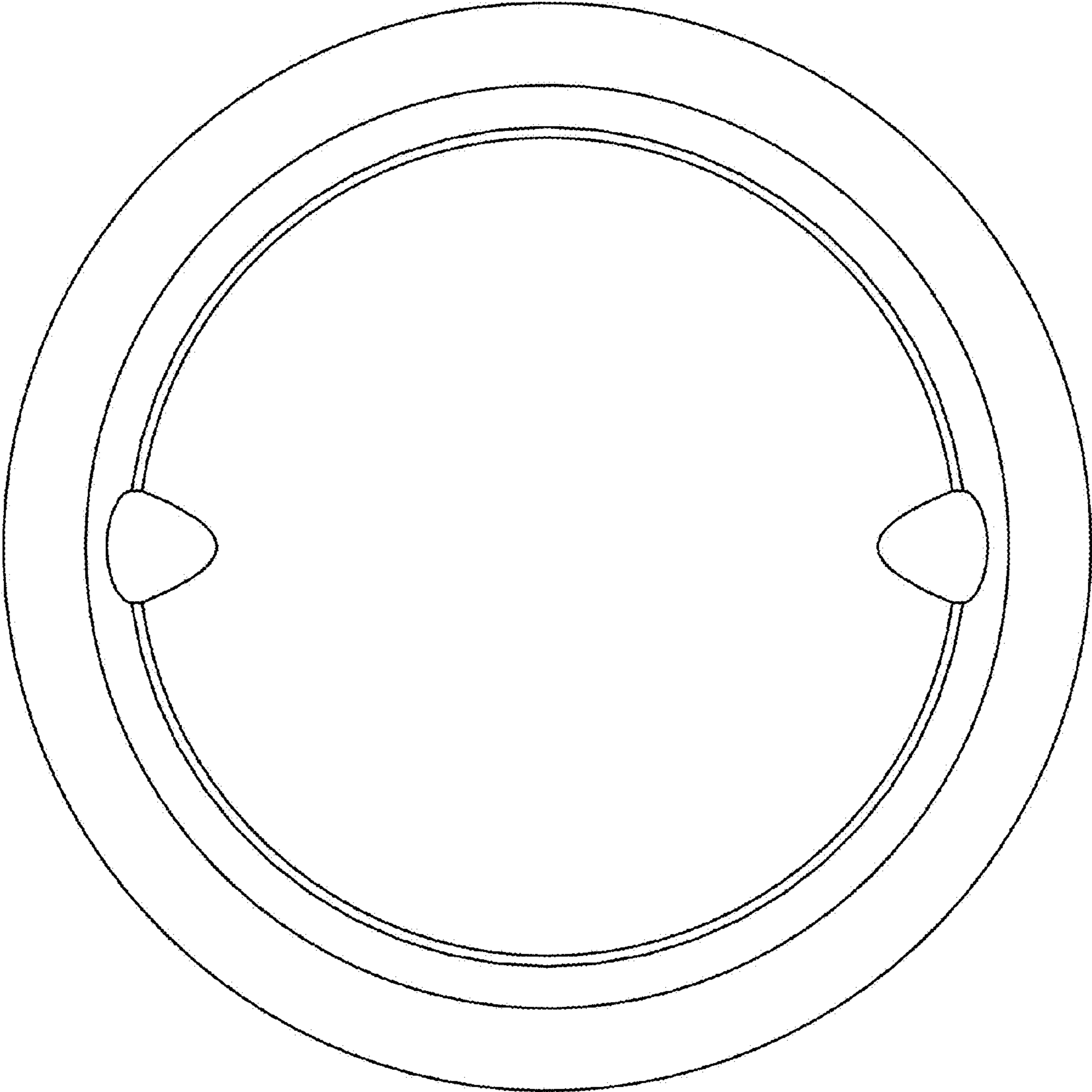


Fig. 6

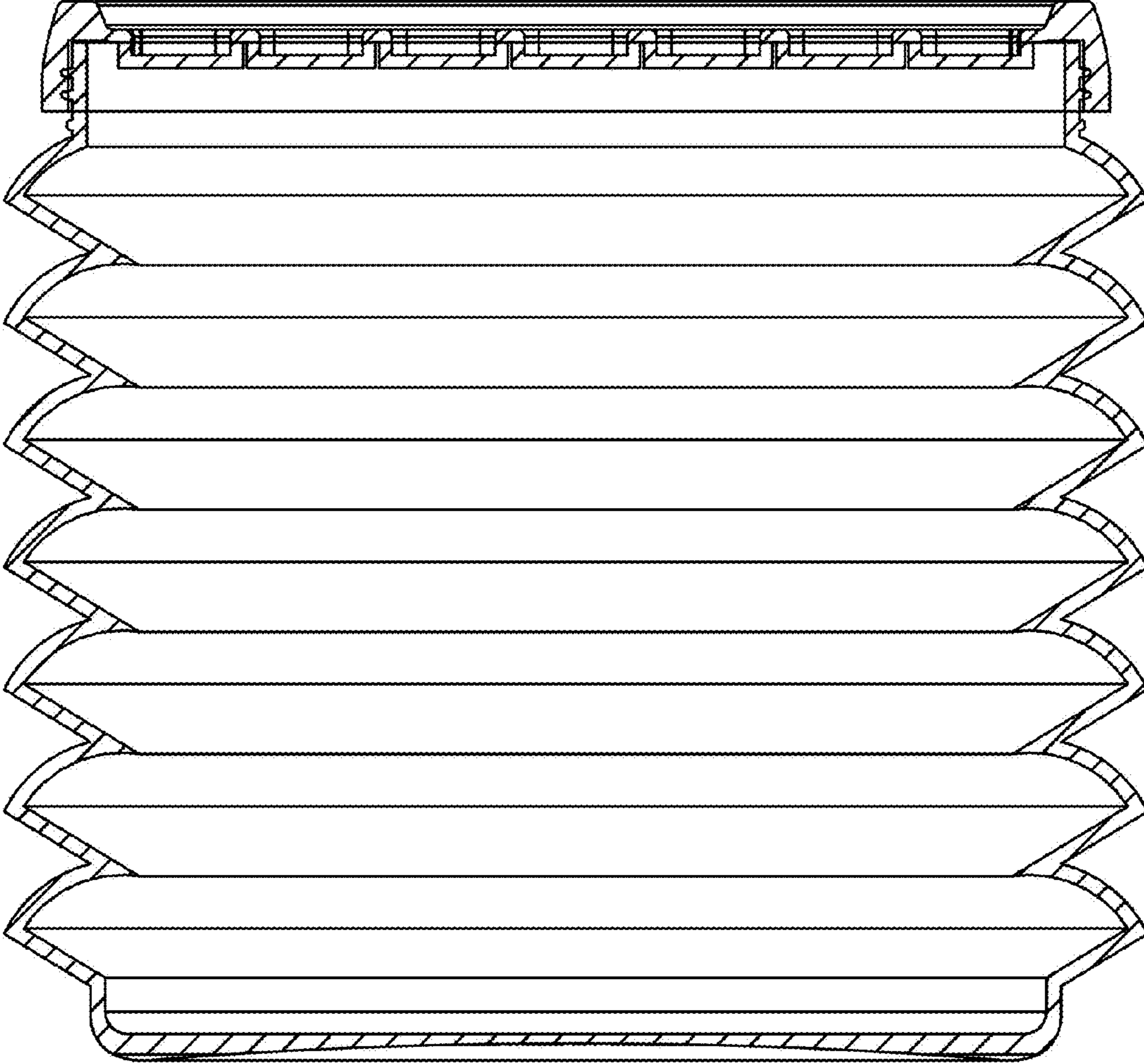


Fig. 7



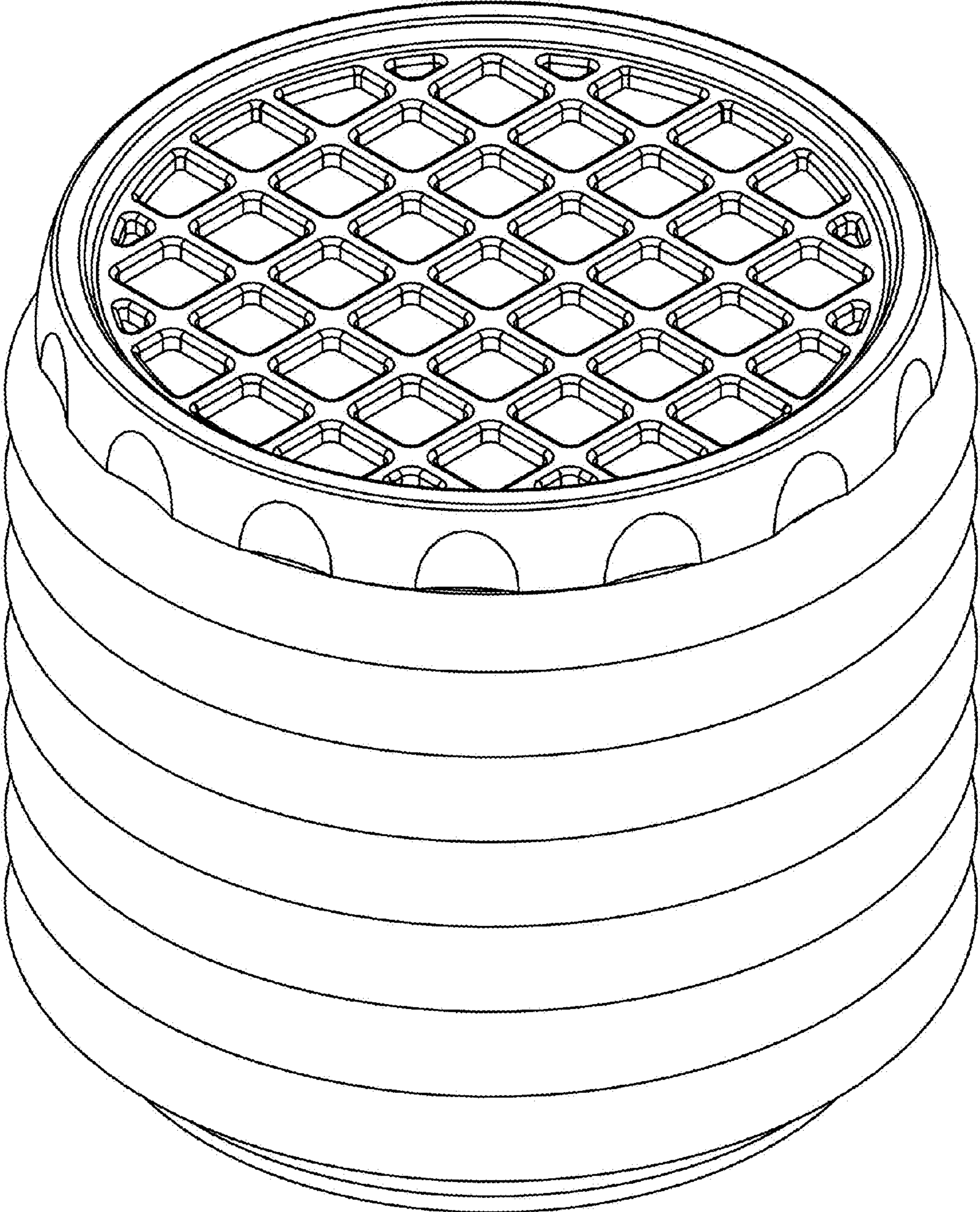


Fig. 8

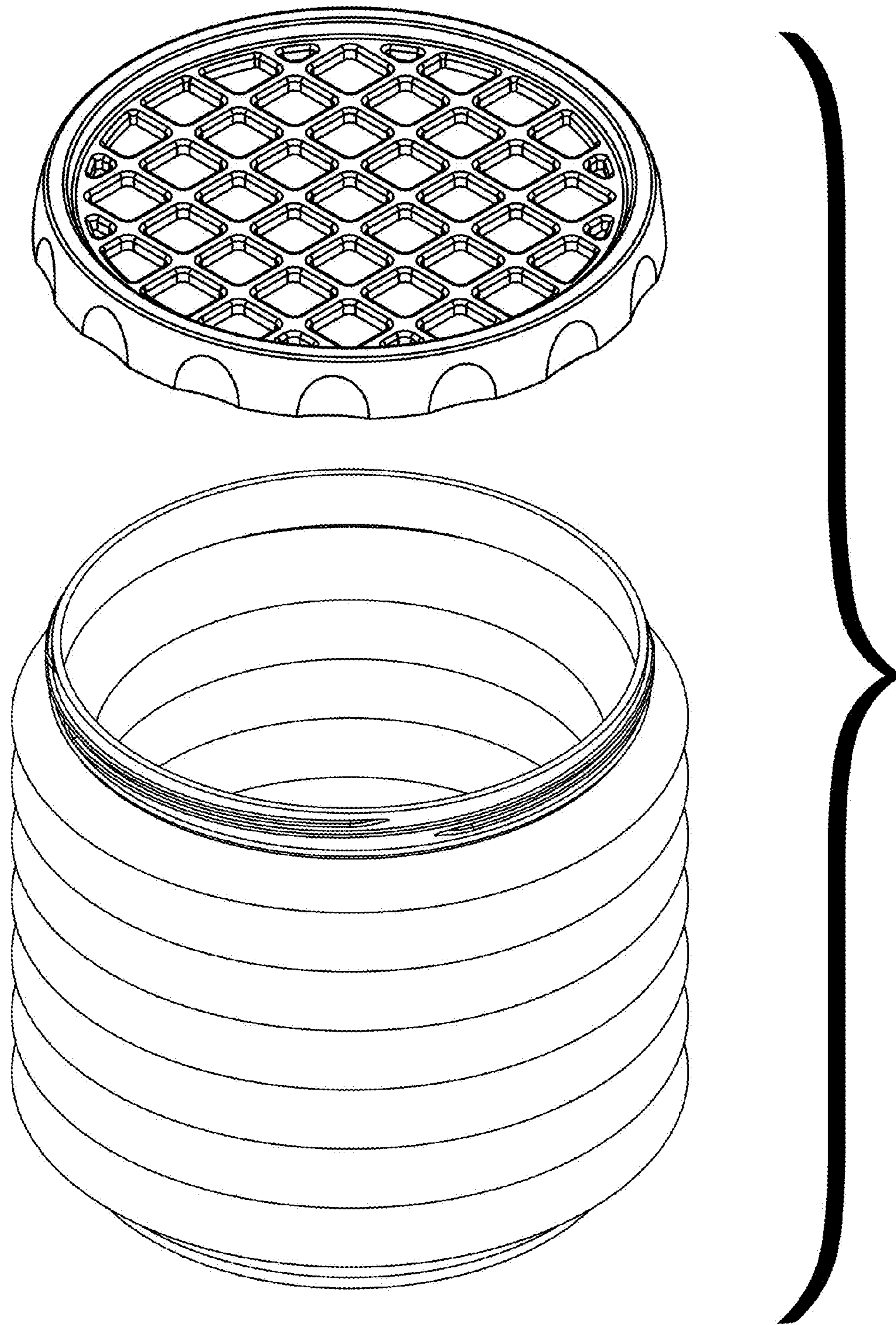


Fig. 9