



US00D650639S

(12) **United States Design Patent**
Freese et al.

(10) **Patent No.:** **US D650,639 S**
(45) **Date of Patent:** **** Dec. 20, 2011**

- (54) **SNACK AND DRINK HOLDER**
- (75) Inventors: **Lawrence O. Freese**, Santa Rosa Beach, FL (US); **Douglas F. Melville, Jr.**, Simsbury, CT (US)
- (73) Assignee: **Brica, Inc.**, Charlotte, NC (US)
- (**) Term: **14 Years**
- (21) Appl. No.: **29/379,687**
- (22) Filed: **Nov. 23, 2010**

D335,767 S *	5/1993	Yates	D12/419
D342,871 S *	1/1994	Stern et al.	D7/620
D344,876 S *	3/1994	Vandergon	D7/620
D391,452 S *	3/1998	Huebert	D7/620
D413,769 S *	9/1999	Mason	D7/620
D417,763 S *	12/1999	Monem	D34/27
D423,884 S *	5/2000	Greenwood	D7/620
D431,756 S *	10/2000	Kimbrough et al.	D7/620
D436,806 S *	1/2001	Kimbrough et al.	D7/620
D529,765 S *	10/2006	Gomes et al.	D7/620
D563,177 S *	3/2008	Bergin	D7/620
D574,197 S *	8/2008	Bergin	D7/620
D574,669 S *	8/2008	Bergin	D7/620
D604,564 S *	11/2009	Walter	D7/620

* cited by examiner

Related U.S. Application Data

- (63) Continuation-in-part of application No. 12/751,236, filed on Mar. 31, 2010.
 - (51) **LOC (9) Cl.** **07-06**
 - (52) **U.S. Cl.** **D7/620**
 - (58) **Field of Classification Search** D7/503, D7/500, 550.1, 554.2, 554.4, 555, 587, 600.1, D7/600.2, 600.3, 600.4, 601, 602, 605, 608, D7/611, 701, 705, 706, 708.1, 619.1, 620, D7/621, 622, 641, 401.1; 215/395, 396, 215/398; 220/573.1, 573.5, 574, 592.16, 220/592.17, 495.03, 500, 506, 507, 512, 220/62.11, 62.12, 62.13, 608, 660, 669, 737, 220/738, 741, 742
- See application file for complete search history.

Primary Examiner — Elizabeth J Oswecki
(74) *Attorney, Agent, or Firm* — Carter & Schnedler, P.A.

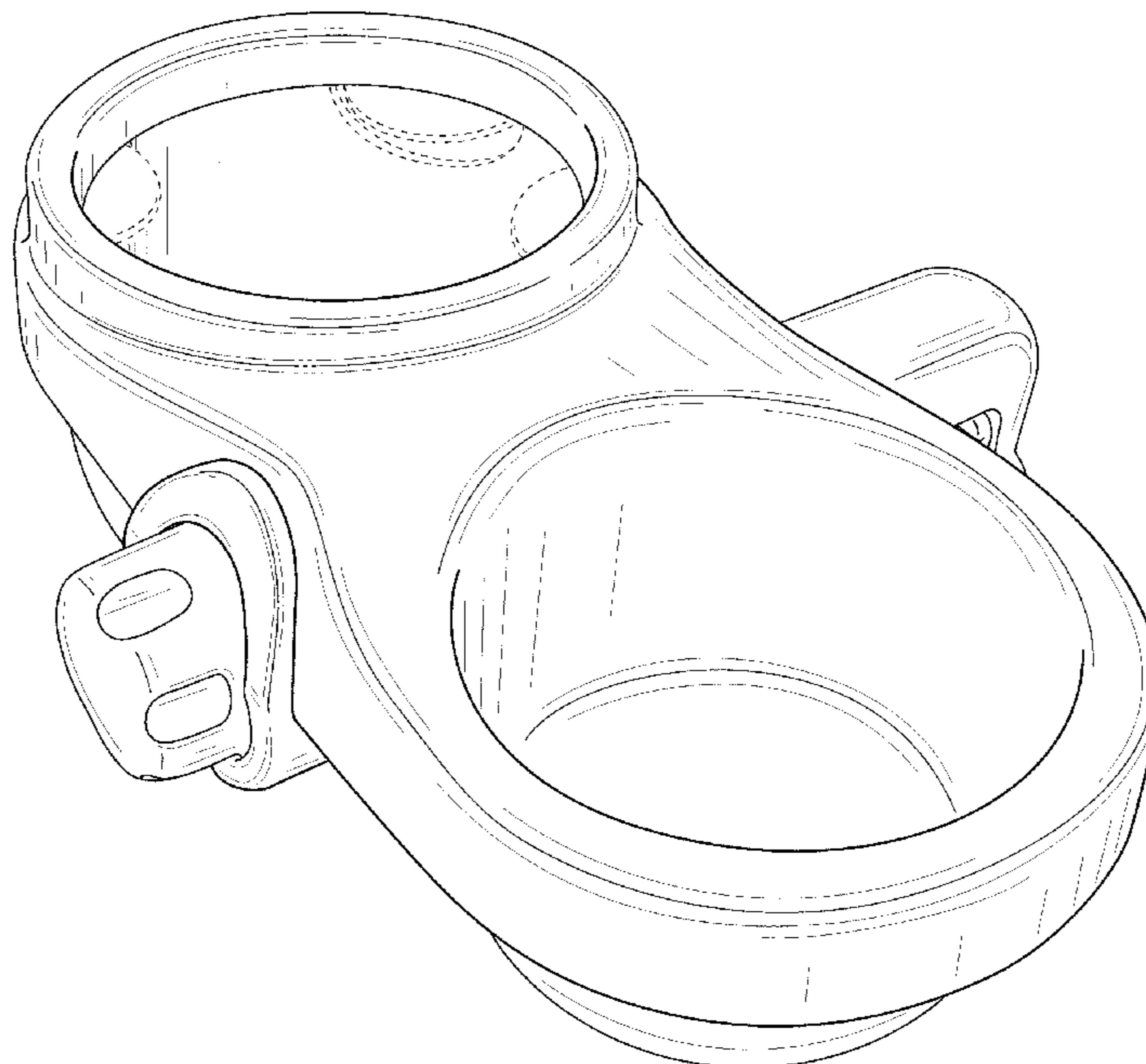
(57) **CLAIM**
The ornamental design for a snack and drink holder, as shown and described.

DESCRIPTION

FIG. 1 is a top, right, front, three-dimensional perspective view of a snack and drink holder showing our new design; FIG. 2 is a top plan view of the snack and drink holder of FIG. 1; FIG. 3 is a bottom plan view thereof; FIG. 4 is a front elevational view thereof; FIG. 5 is a rear elevational view thereof; FIG. 6 is a left side elevational view thereof; FIG. 7 is a right side elevational view thereof; and, FIG. 8 is a top, right, rear three-dimensional perspective view thereof shown in a used condition. In the drawings, the broken lines in FIGS. 1, 2, 3, 6 and 8 depict portions of the design that form no part of the claim.

- (56) **References Cited**
- U.S. PATENT DOCUMENTS
- 3,135,392 A * 6/1964 Elkins 211/86.01
- 3,698,675 A * 10/1972 Lerew et al. 248/311.2
- 3,850,398 A * 11/1974 Kantor 248/222.14
- D251,229 S * 3/1979 Wooters D7/701

1 Claim, 6 Drawing Sheets



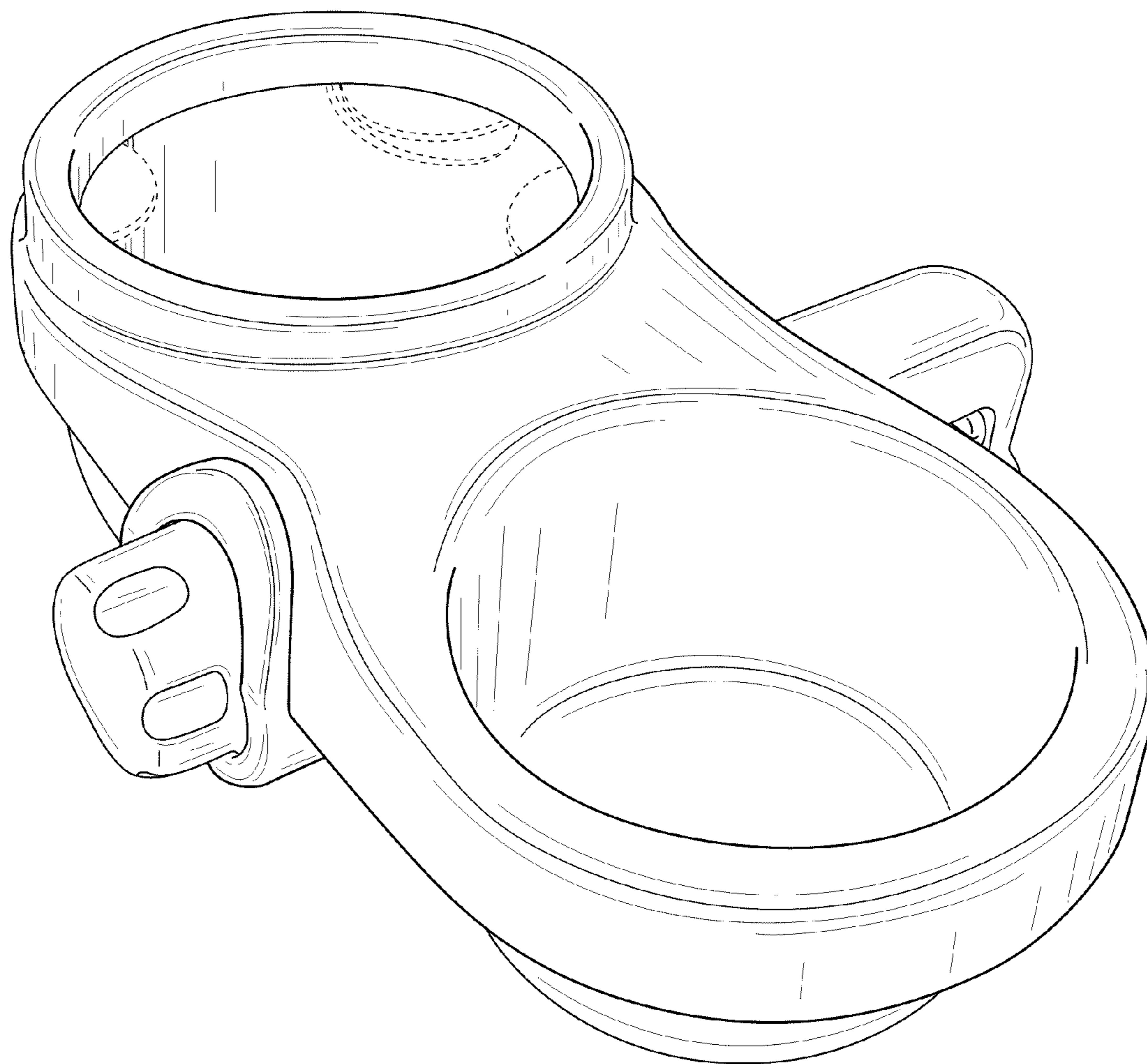


FIG. 1

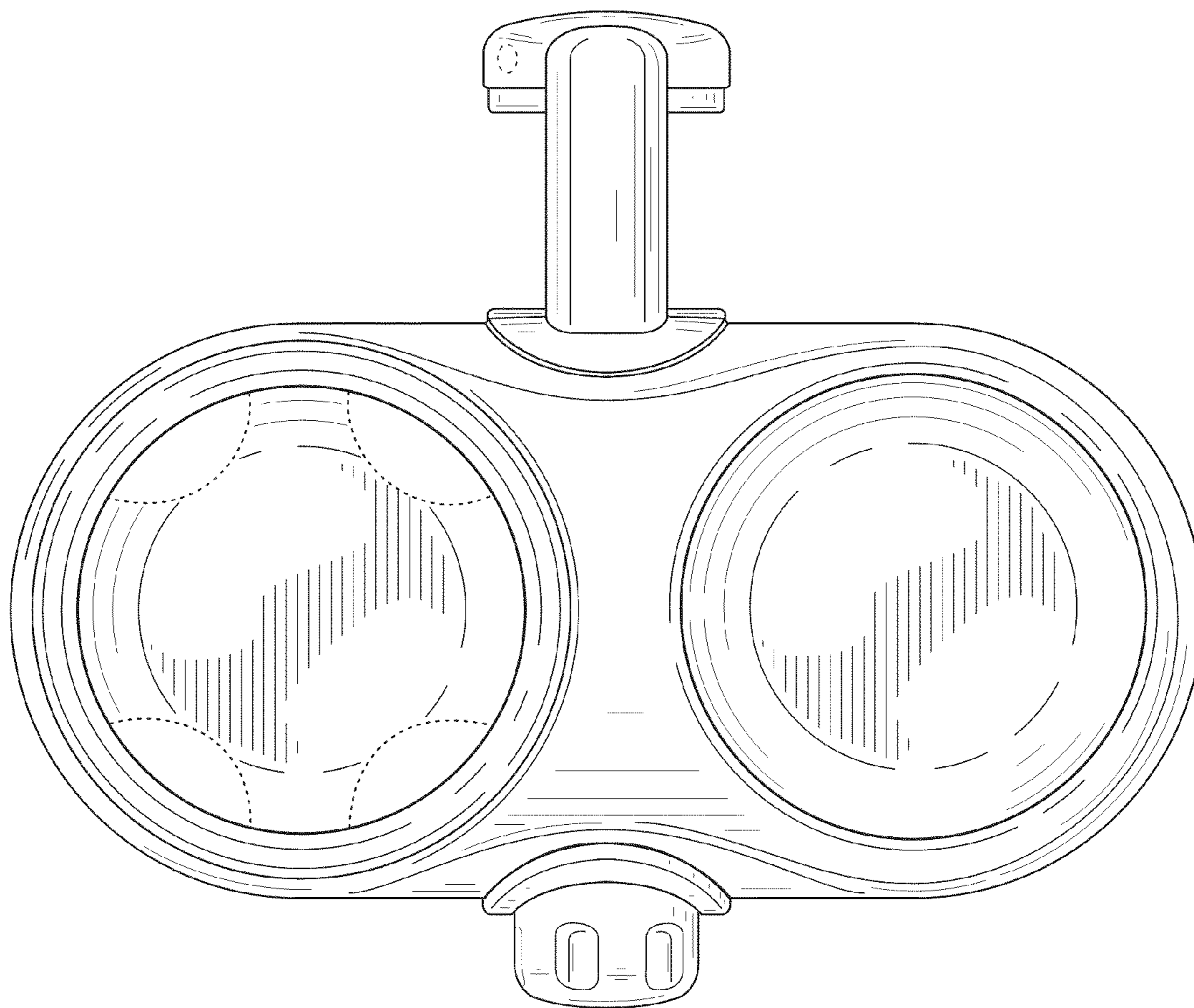


FIG. 2

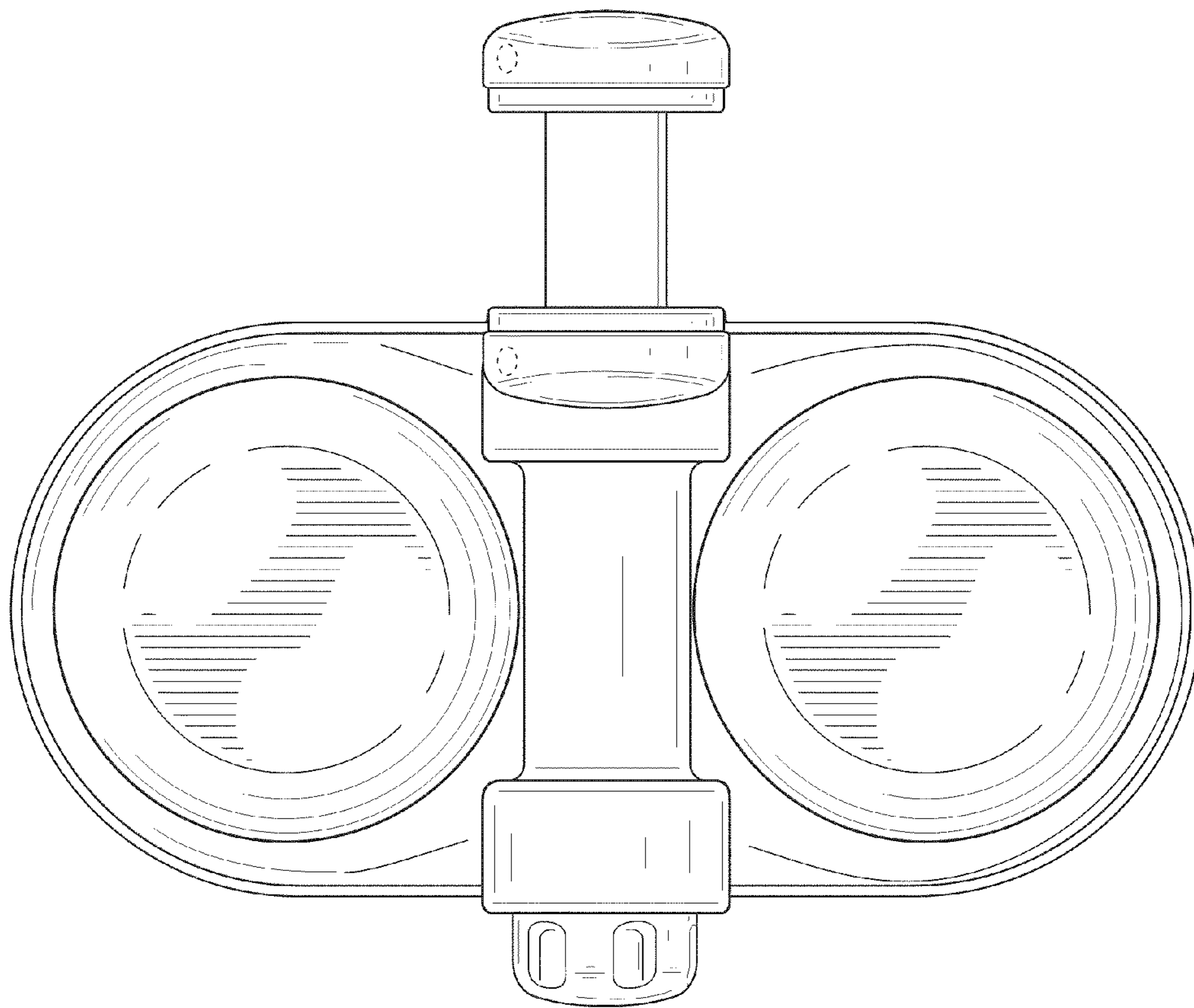


FIG. 3

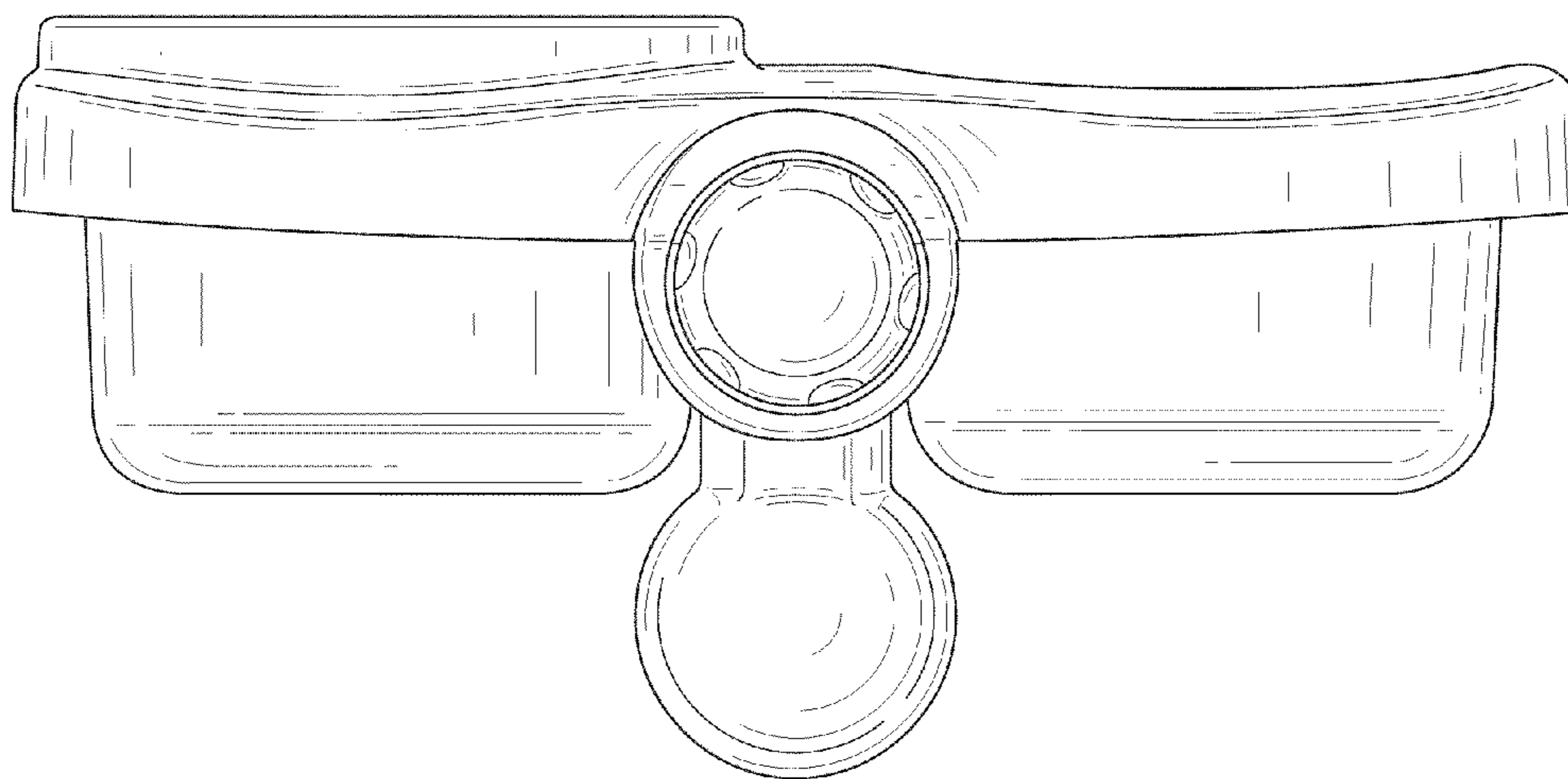


FIG. 4

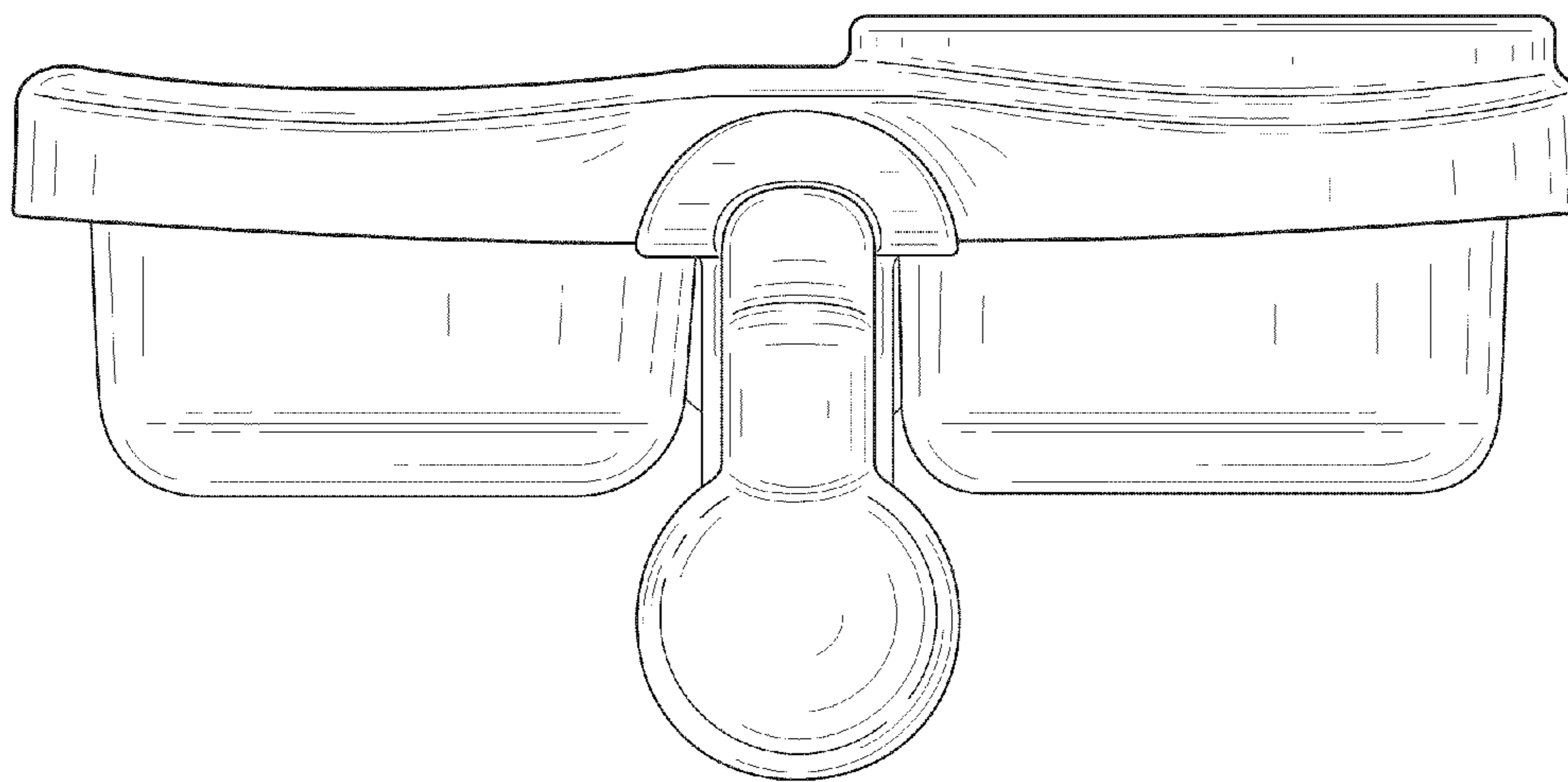


FIG. 5

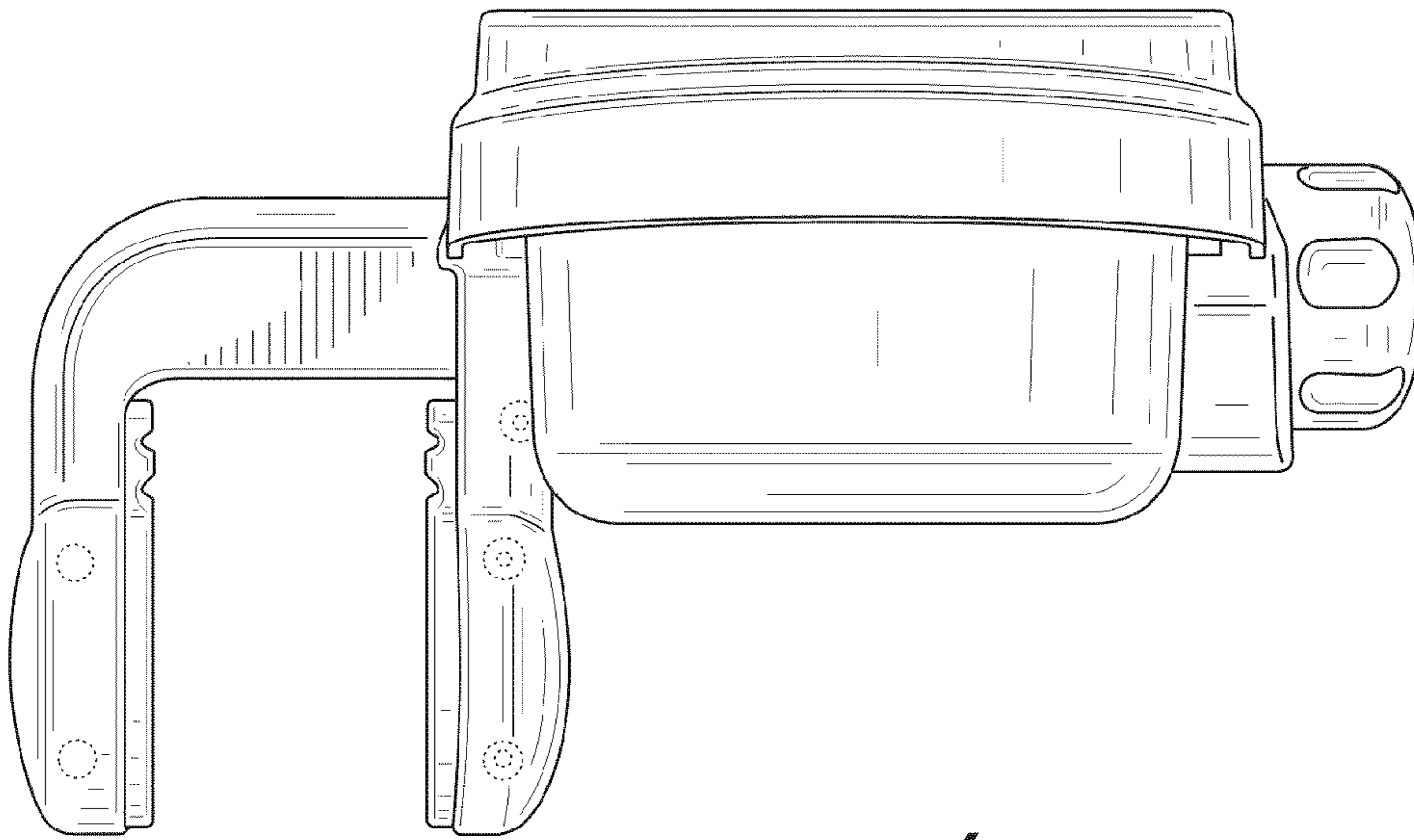


FIG. 6

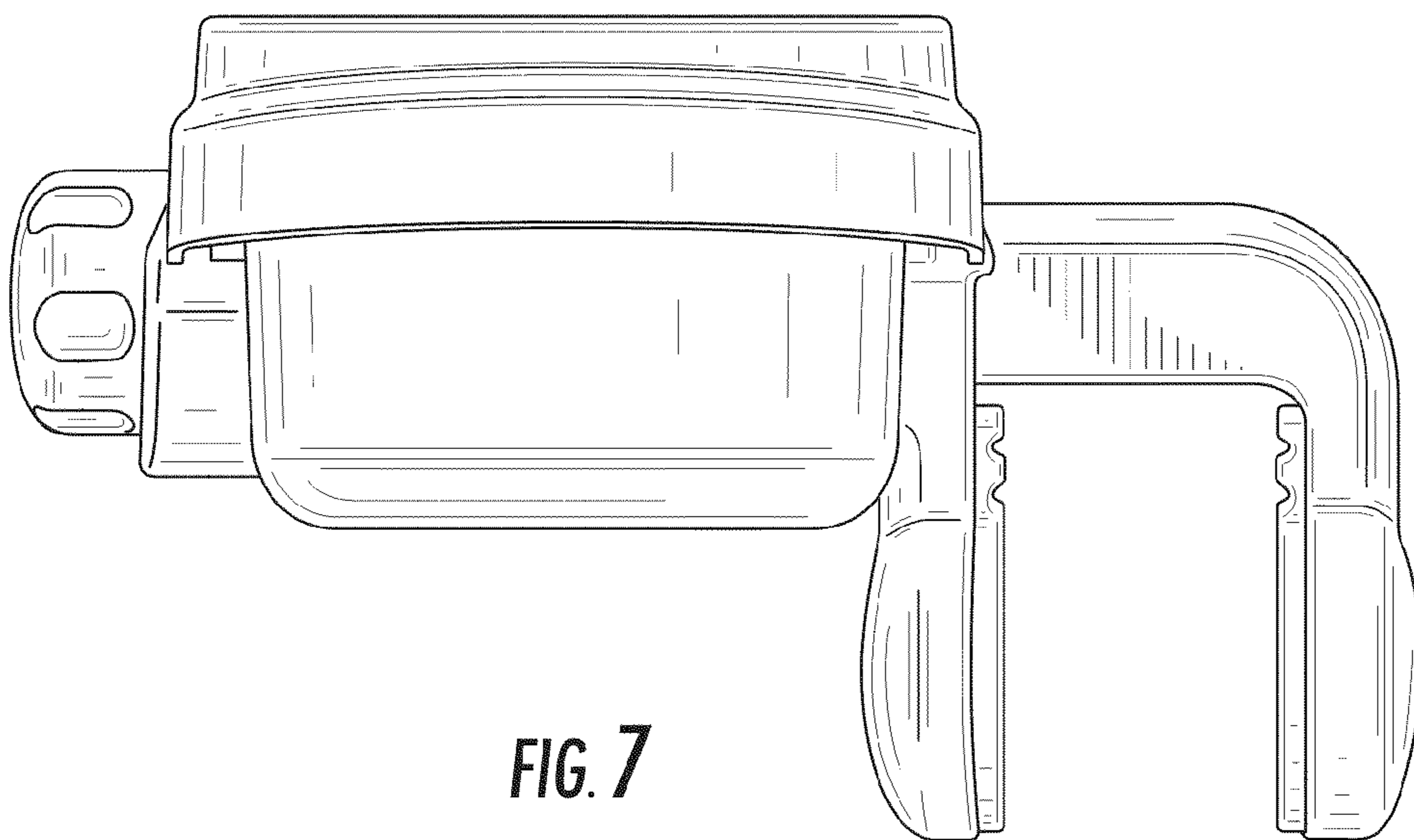


FIG. 7

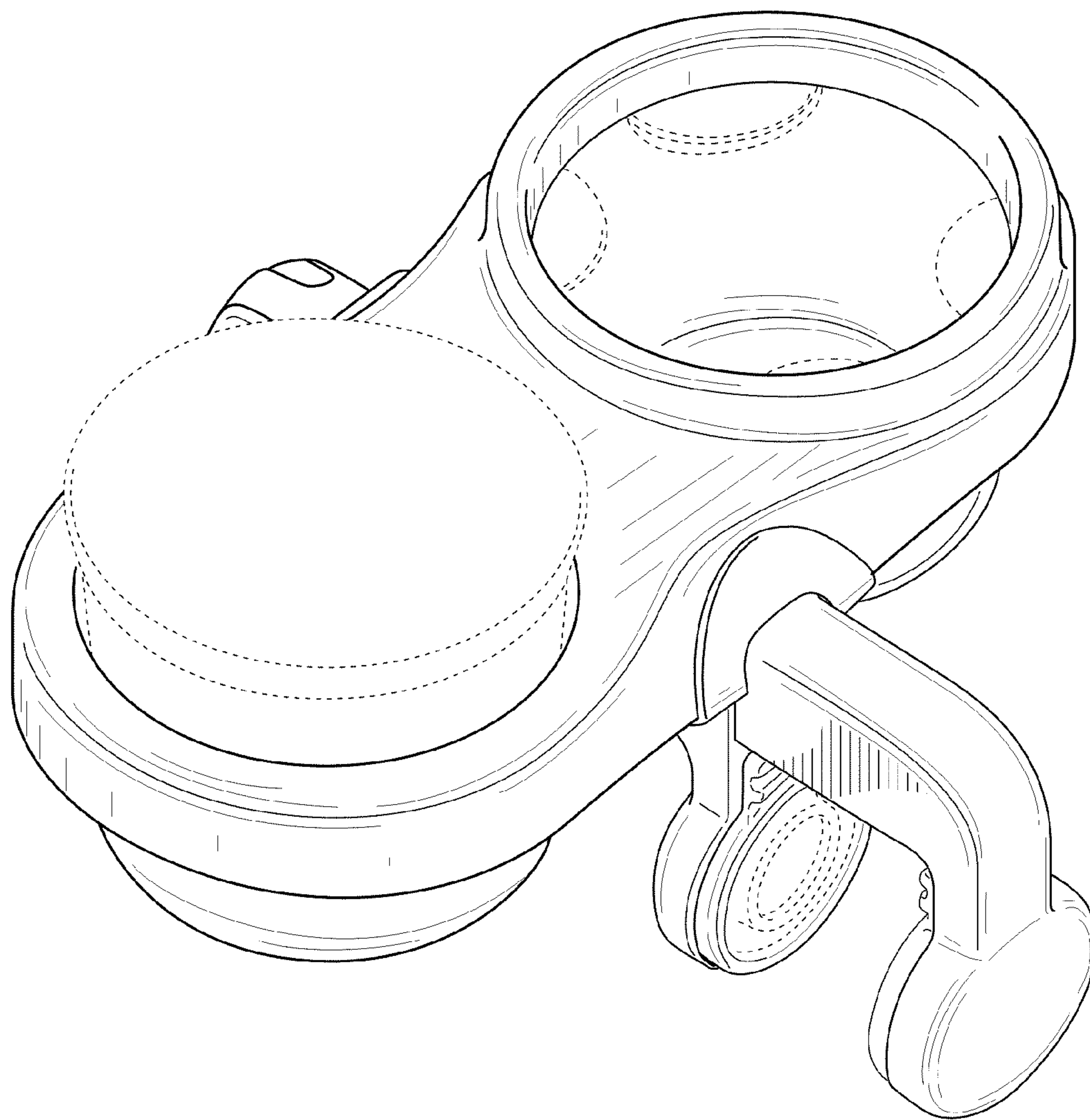


FIG. 8