



US00D650638S

(12) **United States Design Patent**  
**Lasky et al.**

(10) **Patent No.:** **US D650,638 S**

(45) **Date of Patent:** **\*\* Dec. 20, 2011**

(54) **CONTAINER**

(76) Inventors: **James Lasky**, Chicago, IL (US); **Cary Taylor**, Chicago, IL (US)

(\*\*) Term: **14 Years**

(21) Appl. No.: **29/378,197**

(22) Filed: **Nov. 1, 2010**

(51) **LOC (9) Cl.** ..... **07-07**

(52) **U.S. Cl.** ..... **D7/602**

(58) **Field of Classification Search** ..... D7/602,  
D7/629, 354, 630; 220/23.2–23.6, 573.1–573.3,  
220/657, 912, 574–575, 675, 780–802, 256.1,  
220/326; D9/424–432; 99/324, 339, 426  
See application file for complete search history.

(56) **References Cited**

**U.S. PATENT DOCUMENTS**

D569,169 S *	5/2008	Munson	.....	D7/354
D574,179 S *	8/2008	DeLuca	.....	D7/354
D601,386 S *	10/2009	Carlson	.....	D7/602
D606,812 S *	12/2009	Wu	.....	D7/629
D614,919 S *	5/2010	Carlson	.....	D7/602
D630,898 S *	1/2011	de Groote	.....	D7/602
D630,899 S *	1/2011	Samartgis	.....	D7/602
D631,298 S *	1/2011	Samartgis	.....	D7/602
D631,706 S *	2/2011	Samartgis	.....	D7/602
D634,970 S *	3/2011	Pallotto	.....	D7/354

\* cited by examiner

*Primary Examiner* — Terry Wallace

(74) *Attorney, Agent, or Firm* — Michael Stanley Tomsa;  
Katten Muchin Rosenman LLP

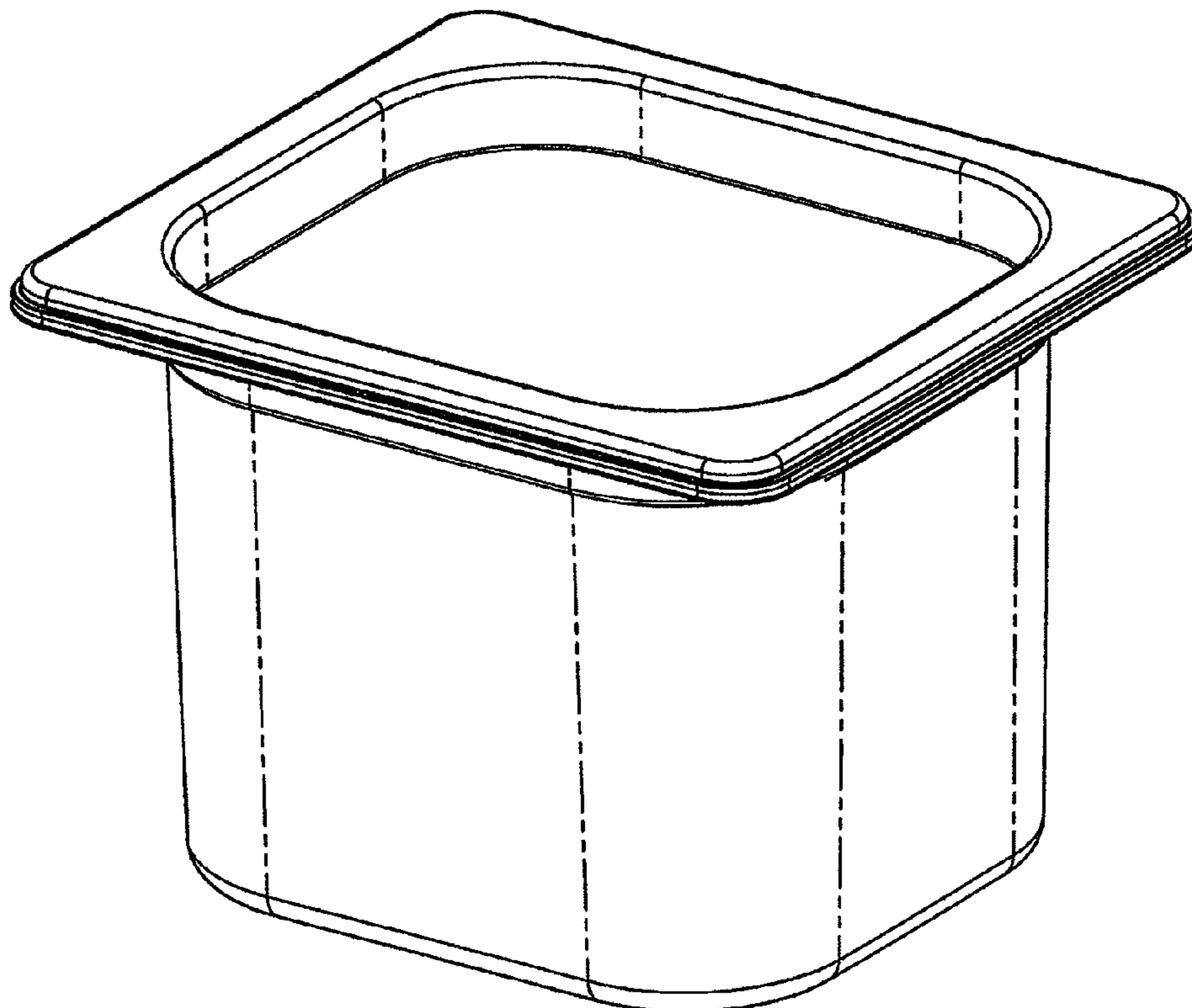
(57) **CLAIM**

The ornamental design for the container, as shown and described.

**DESCRIPTION**

FIG. 1 is a front perspective view of a container of the present invention in a closed position;  
FIG. 2 is a front perspective view of a container of the present invention in an open position;  
FIG. 3 is a first side view of a container of the present invention;  
FIG. 4 is a second side view of a container of the present invention;  
FIG. 5 is a third side view of a container of the present invention;  
FIG. 6 is a fourth side view of a container of the present invention;  
FIG. 7 is a top plan view of a container of the present invention in a closed position;  
FIG. 8 is a top plan view of a container of the present invention in an open position; and,  
FIG. 9 is a front perspective view of a container of the present invention stacked upon a second container.  
The broken lines shown in the views are for illustrative purposes only and form no part of the claimed design.

**1 Claim, 6 Drawing Sheets**



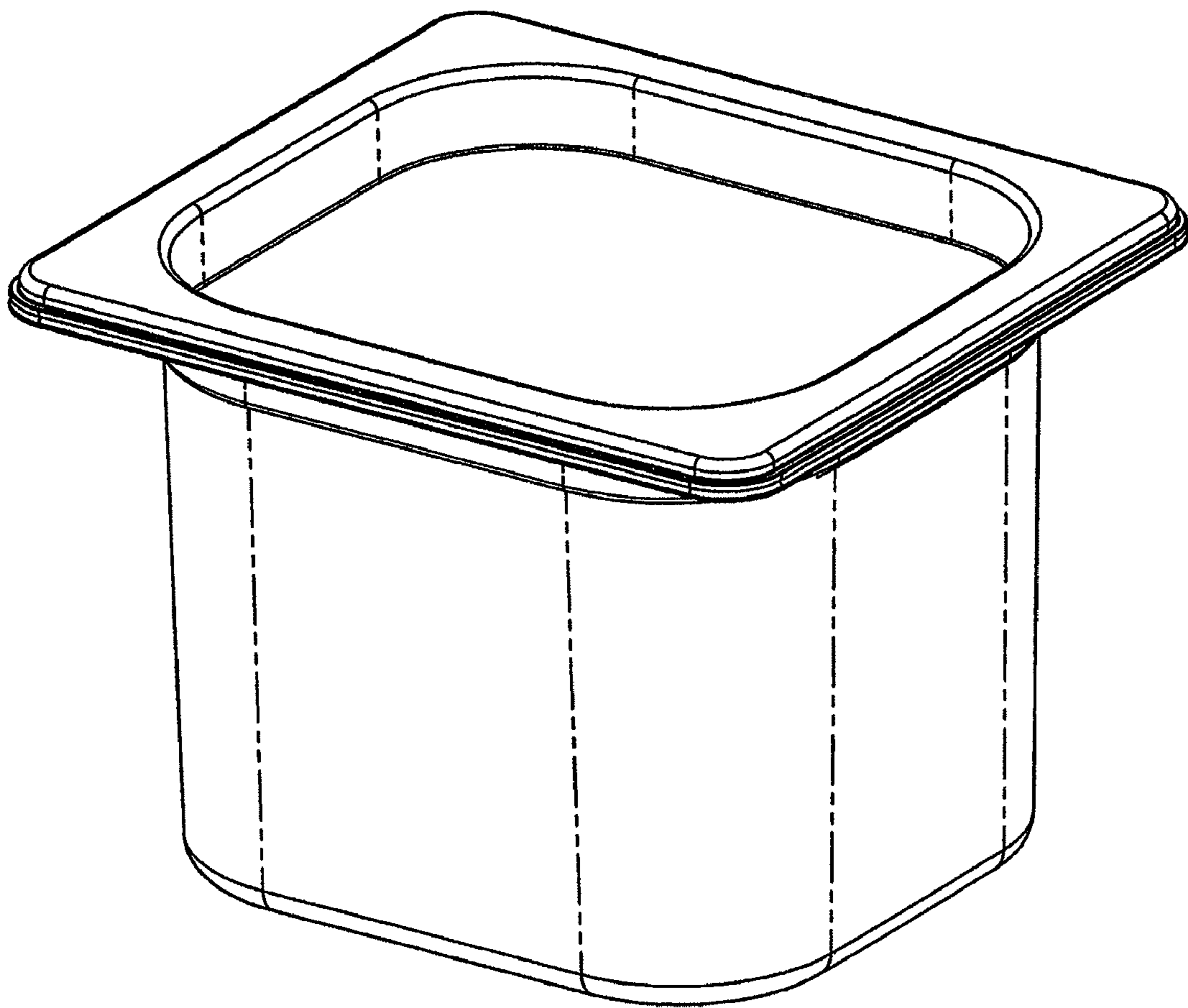


Fig. 1

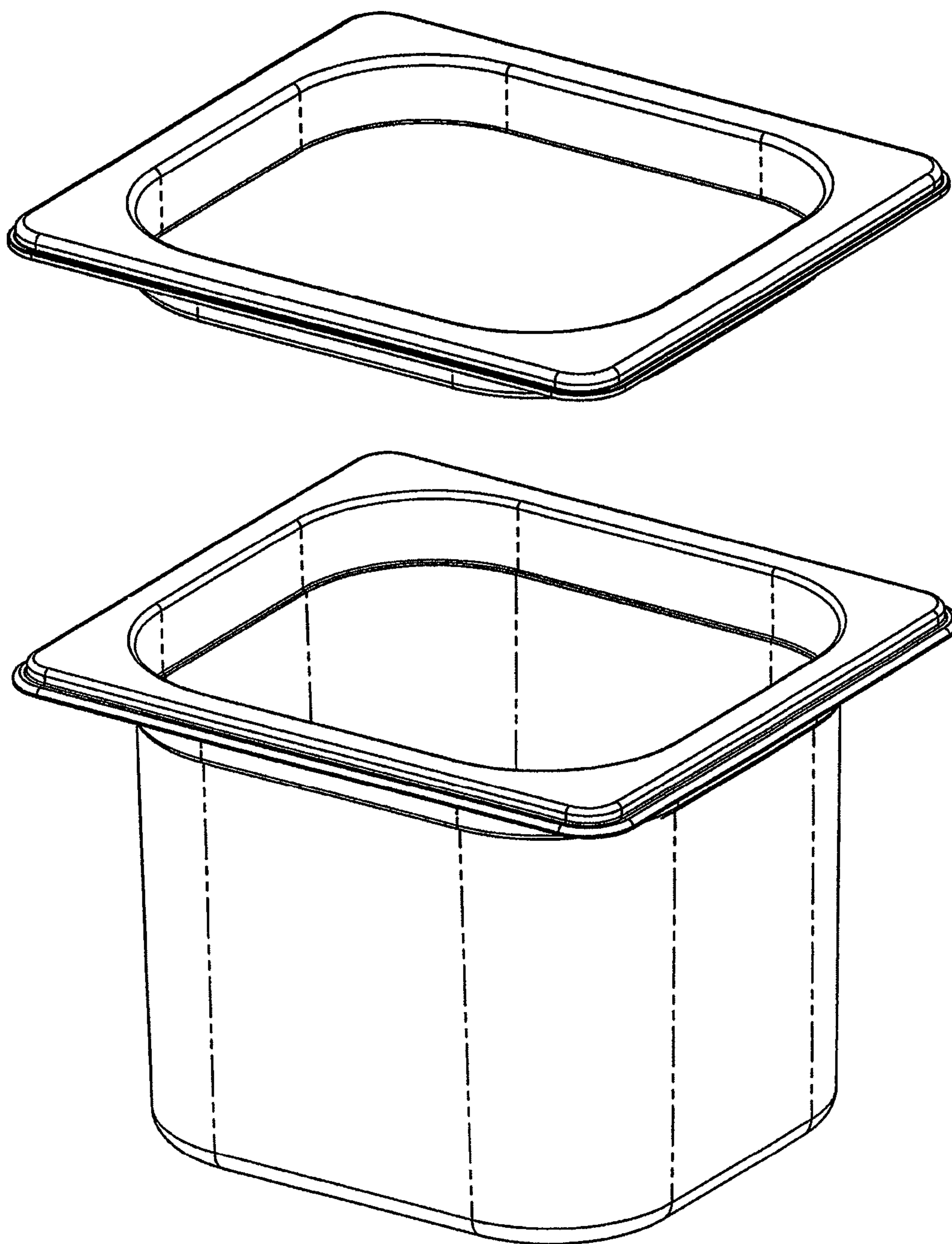


Fig. 2

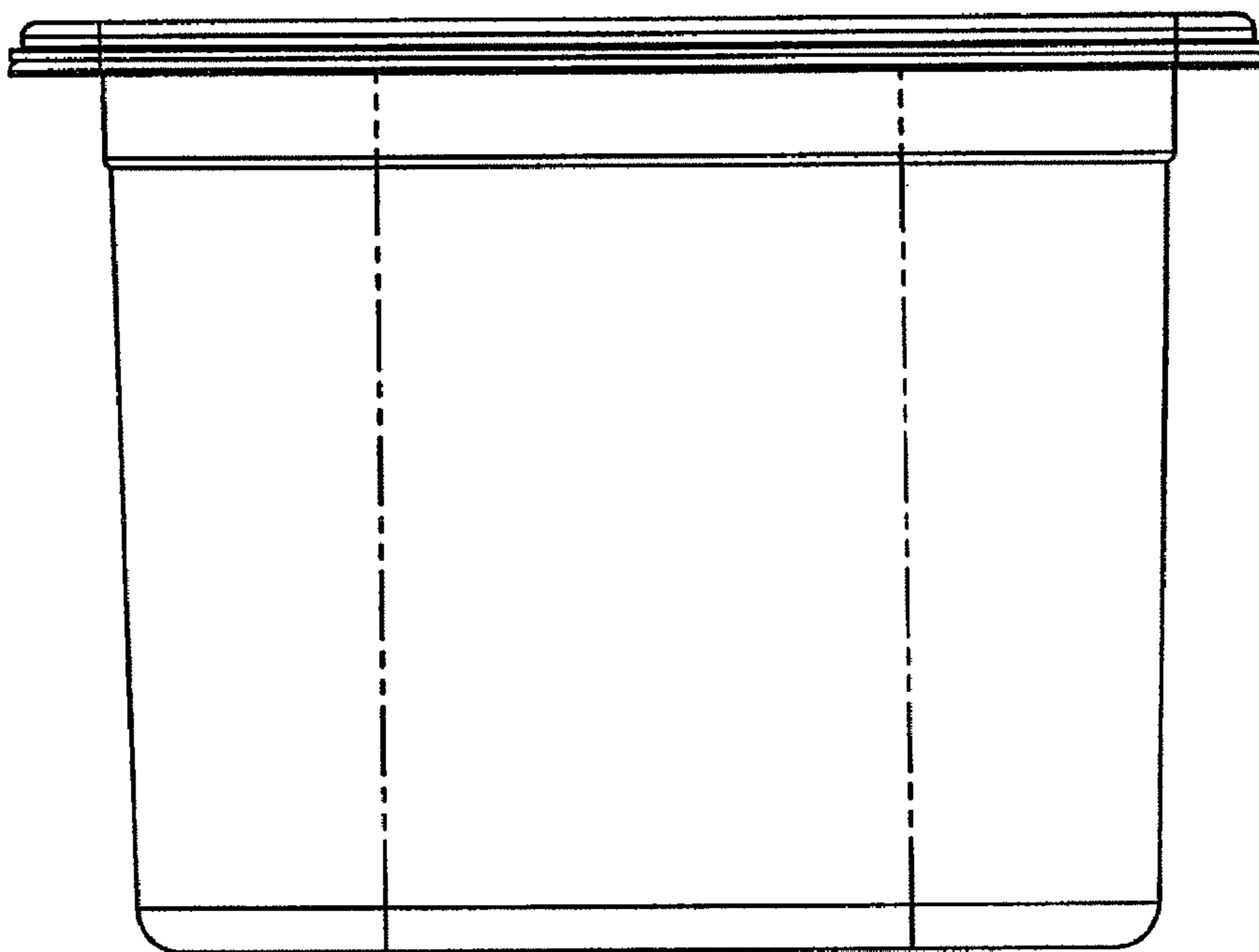


Fig. 3

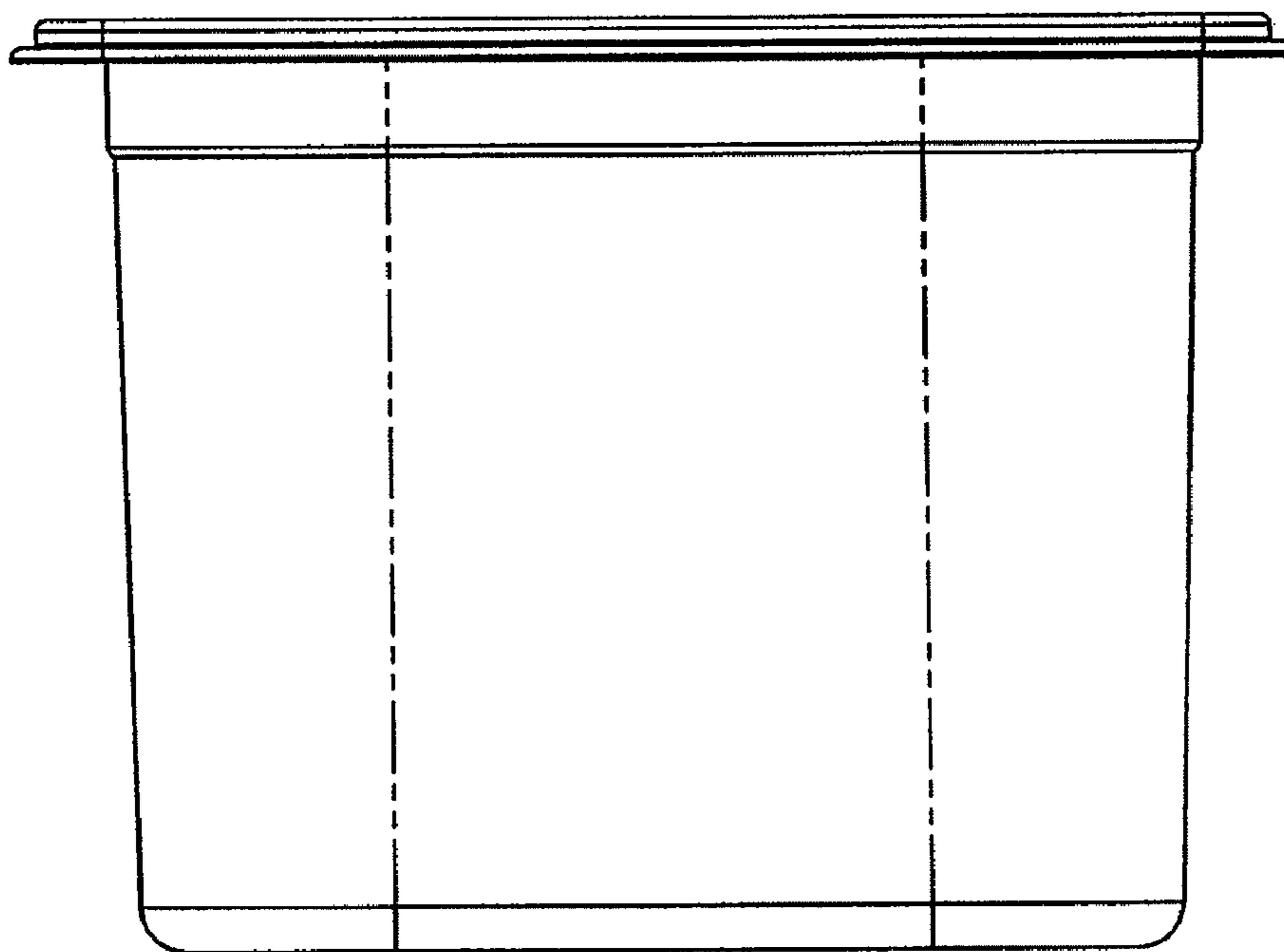


Fig. 4

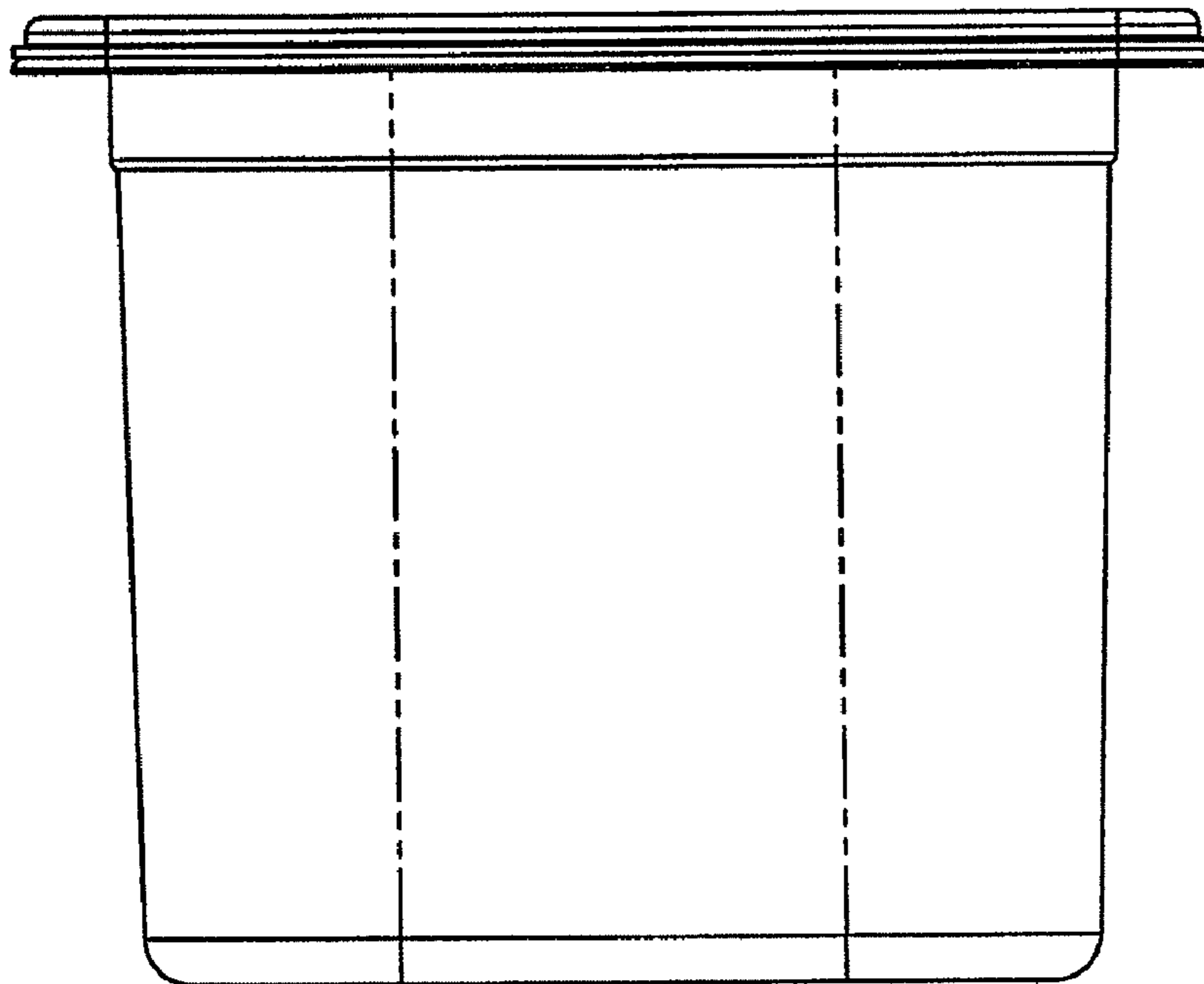


Fig. 5

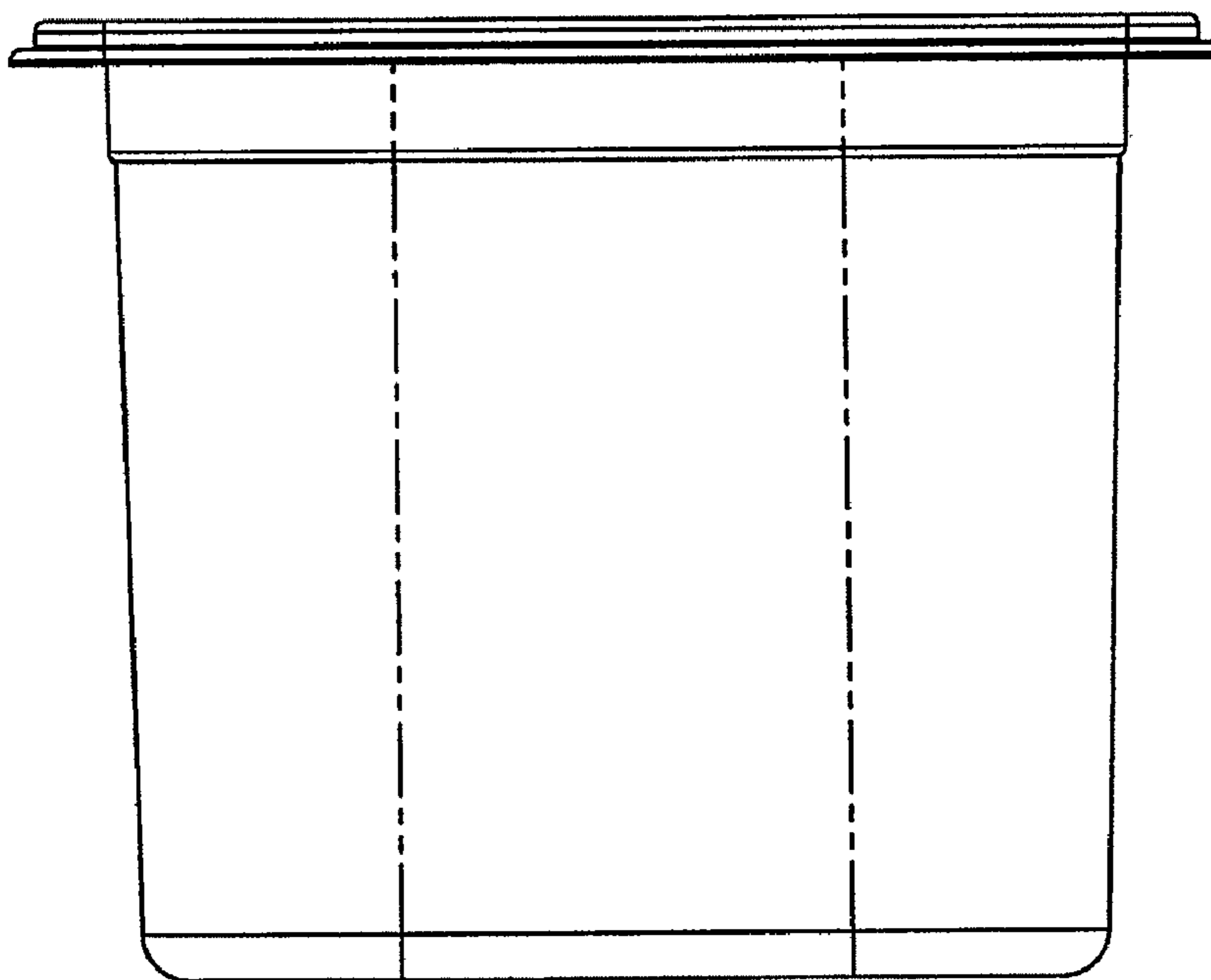


Fig. 6

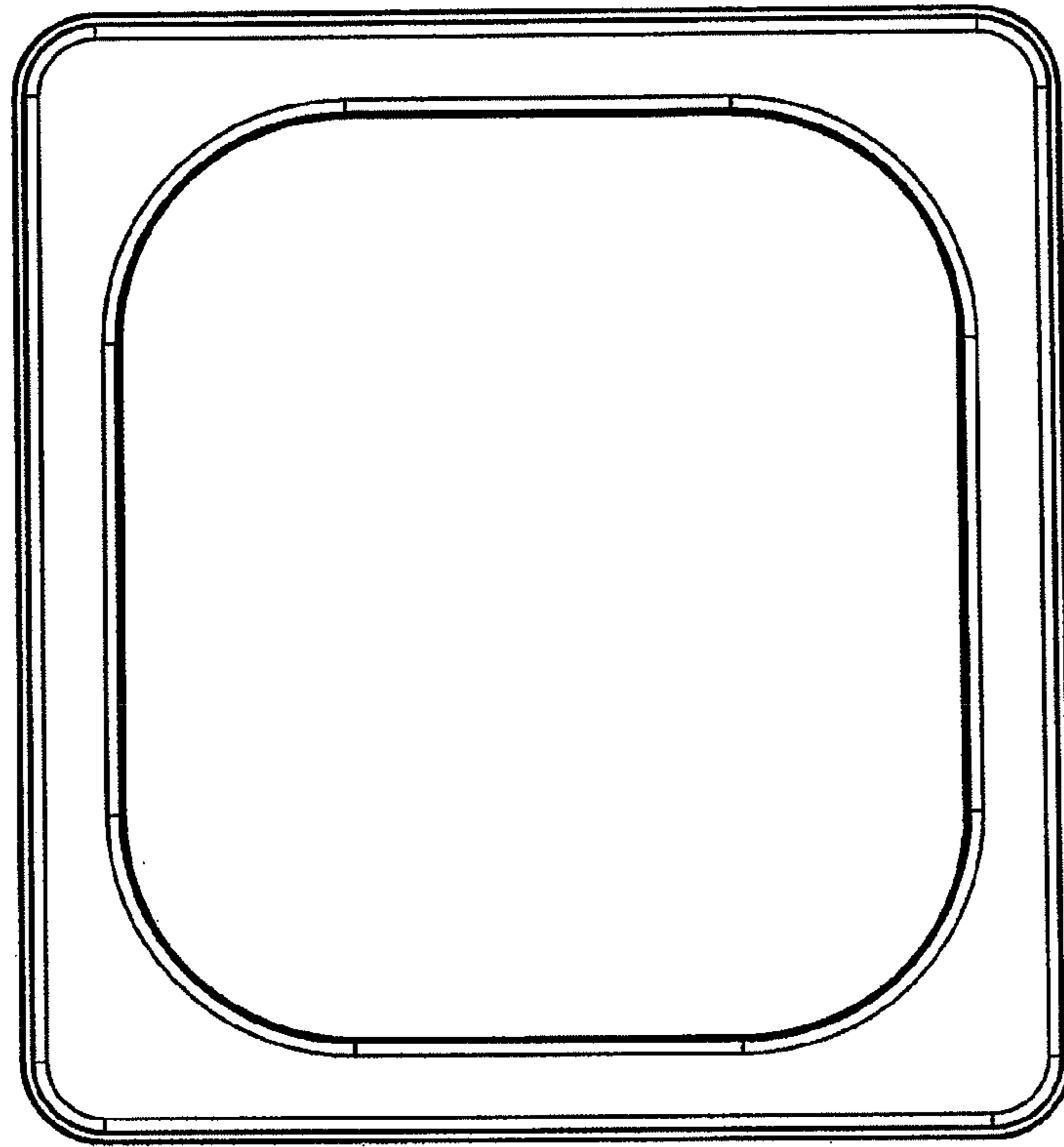


Fig. 7

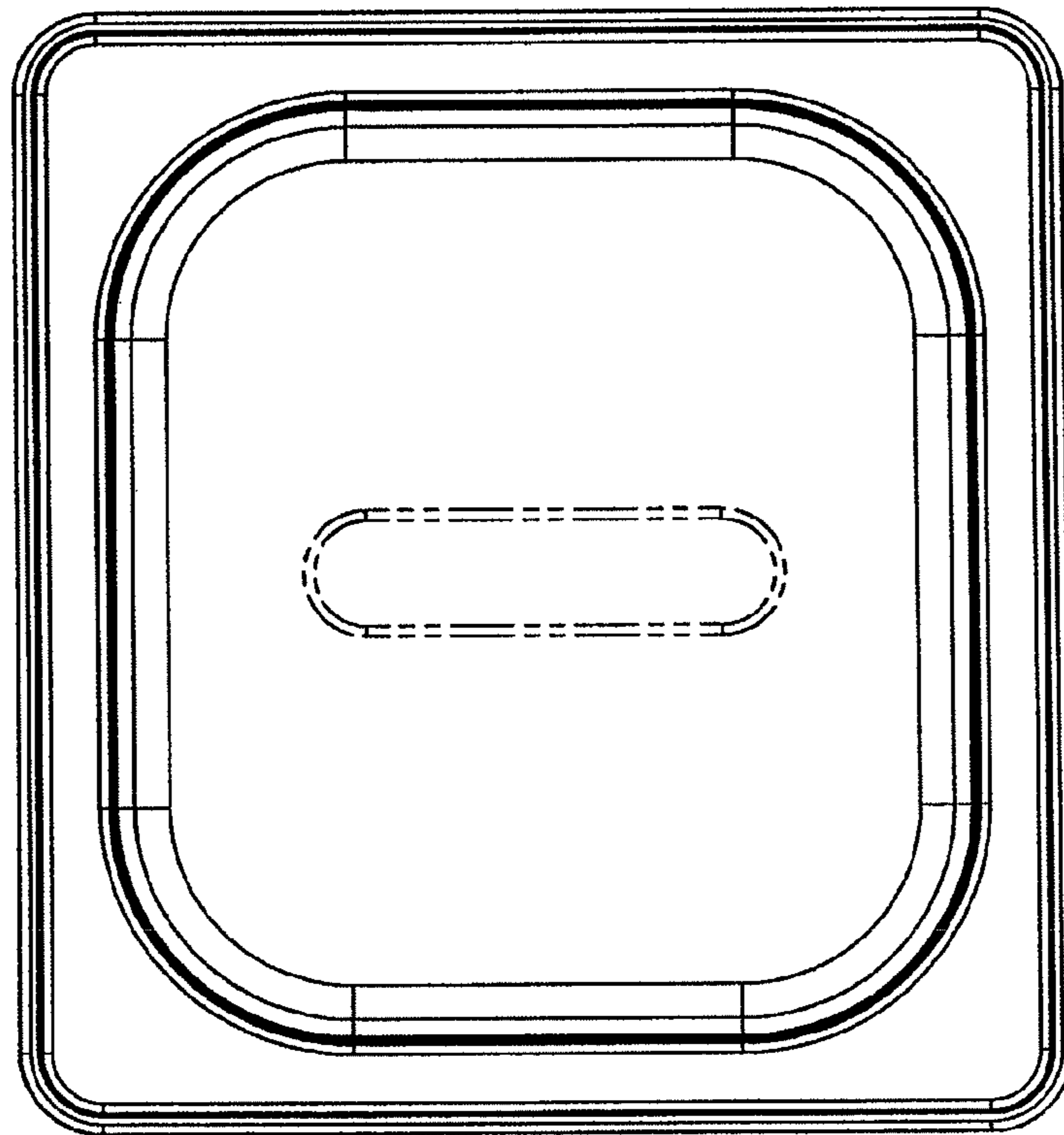


Fig. 8

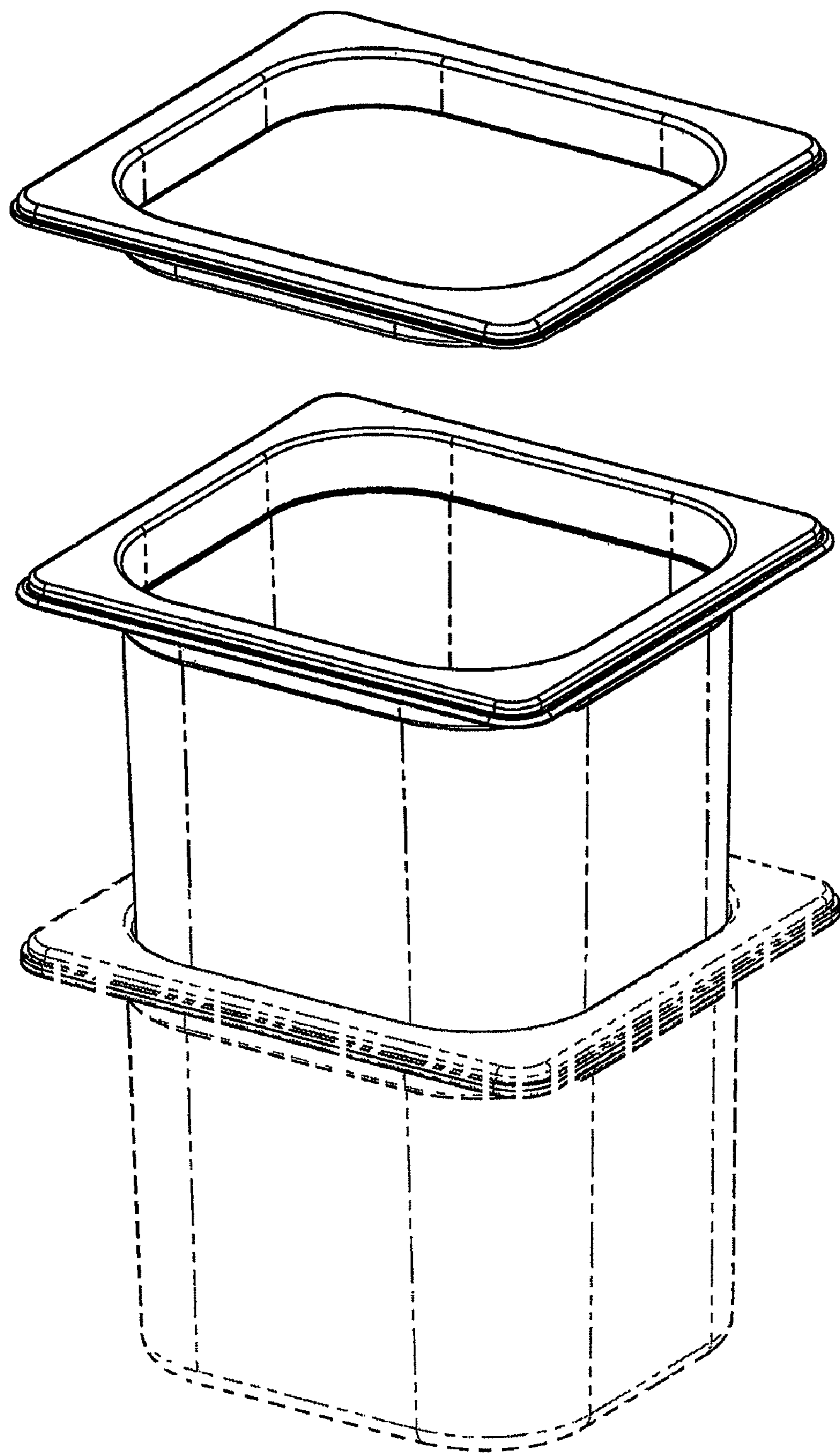


Fig. 9