



US00D650637S

(12) **United States Design Patent**
Lasky et al.

(10) **Patent No.:** **US D650,637 S**

(45) **Date of Patent:** **** Dec. 20, 2011**

(54) **CONTAINER**

(76) Inventors: **James Lasky**, Chicago, IL (US); **Cary Taylor**, Chicago, IL (US)

(**) Term: **14 Years**

(21) Appl. No.: **29/378,195**

(22) Filed: **Nov. 1, 2010**

(51) **LOC (9) Cl.** **07-07**

(52) **U.S. Cl.** **D7/602**

(58) **Field of Classification Search** D7/602,
D7/629, 630, 354, 356; 220/574–575, 675,
220/780–802, 326, 256.1, 23.2–23.6, 573.1–573.3,
220/657, 912; D9/424–432; 99/324, 339,
99/426

See application file for complete search history.

(56) **References Cited**

U.S. PATENT DOCUMENTS

D569,169 S *	5/2008	Munson	D7/354
D574,179 S *	8/2008	DeLuca	D7/354
D601,386 S *	10/2009	Carlson	D7/602
D606,812 S *	12/2009	Wu	D7/629
D614,919 S *	5/2010	Carlson	D7/602
D630,898 S *	1/2011	de Groote	D7/602
D630,899 S *	1/2011	Samartgis	D7/602
D631,298 S *	1/2011	Samartgis	D7/602
D631,706 S *	2/2011	Samartgis	D7/602
D634,970 S *	3/2011	Palotto	D7/354

* cited by examiner

Primary Examiner — Terry Wallace

(74) *Attorney, Agent, or Firm* — Michael Stanley Tomsa;
Katten Muchin Rosenman LLP

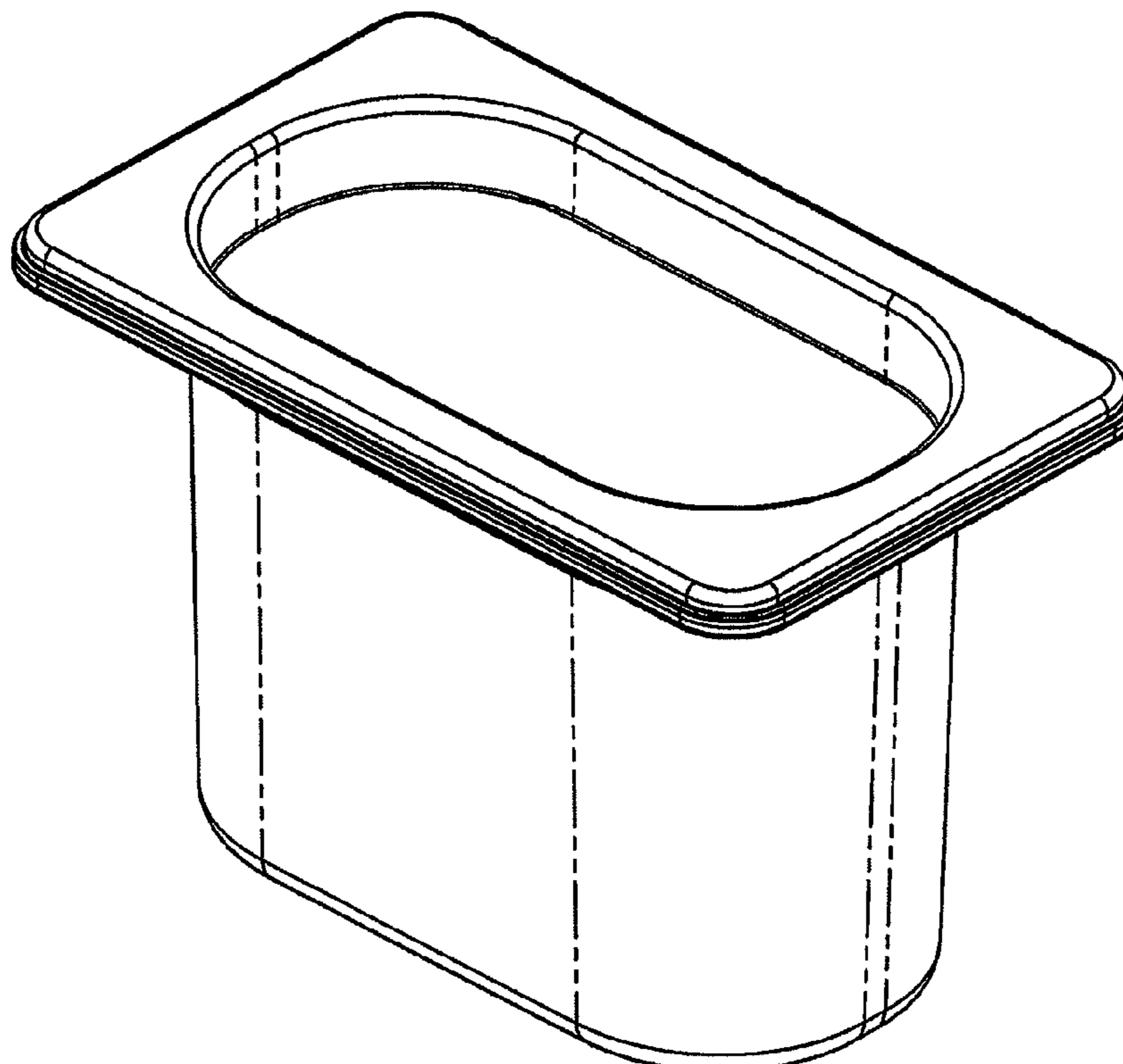
(57) **CLAIM**

The ornamental design for the container, as shown and described.

DESCRIPTION

FIG. 1 is a front perspective view of a container of the present invention in a closed position;
 FIG. 2 is a front perspective view of a container of the present invention in an open position;
 FIG. 3 is a first side view of a container of the present invention;
 FIG. 4 is a second side view of a container of the present invention;
 FIG. 5 is a third side view of a container of the present invention;
 FIG. 6 is a fourth side view of a container of the present invention;
 FIG. 7 is a top plan view of a container of the present invention in a closed position;
 FIG. 8 is a top plan view of a container of the present invention in an open position; and,
 FIG. 9 is a front perspective view of a container of the present invention stacked upon a second container.
 The broken lines shown in the views are for illustrative purposes only and form no part of the claimed design.

1 Claim, 6 Drawing Sheets



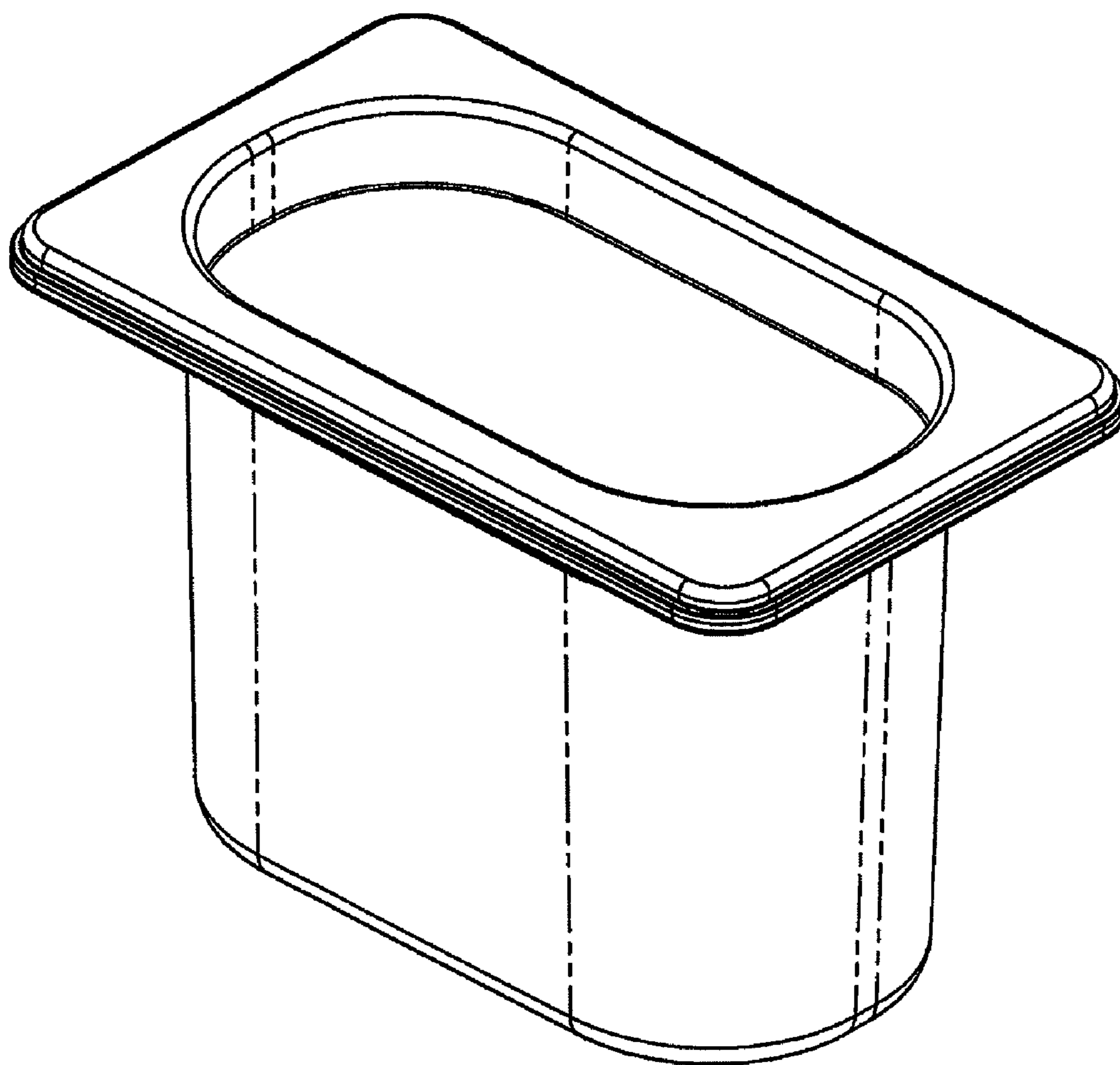


Fig. 1

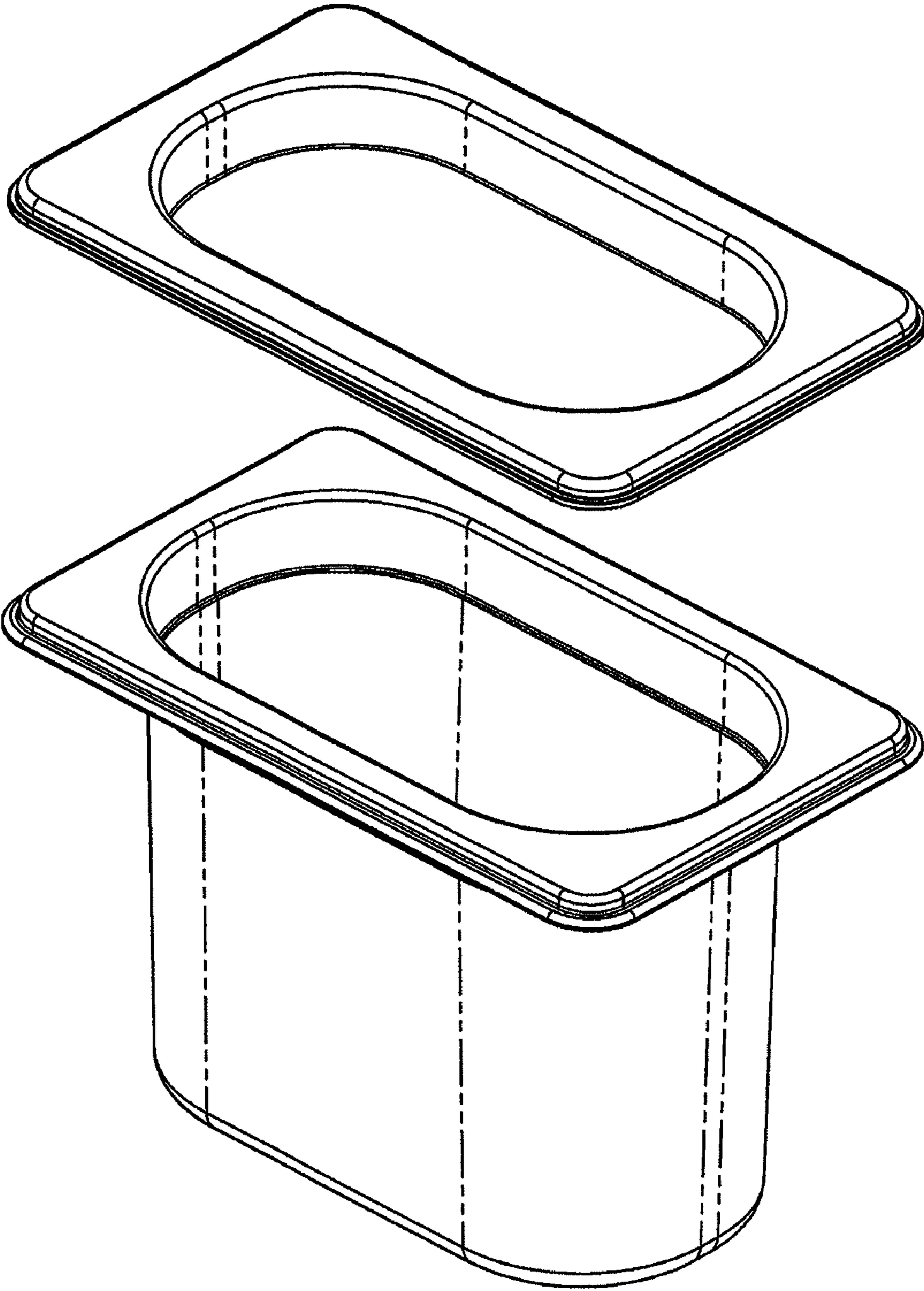


Fig. 2

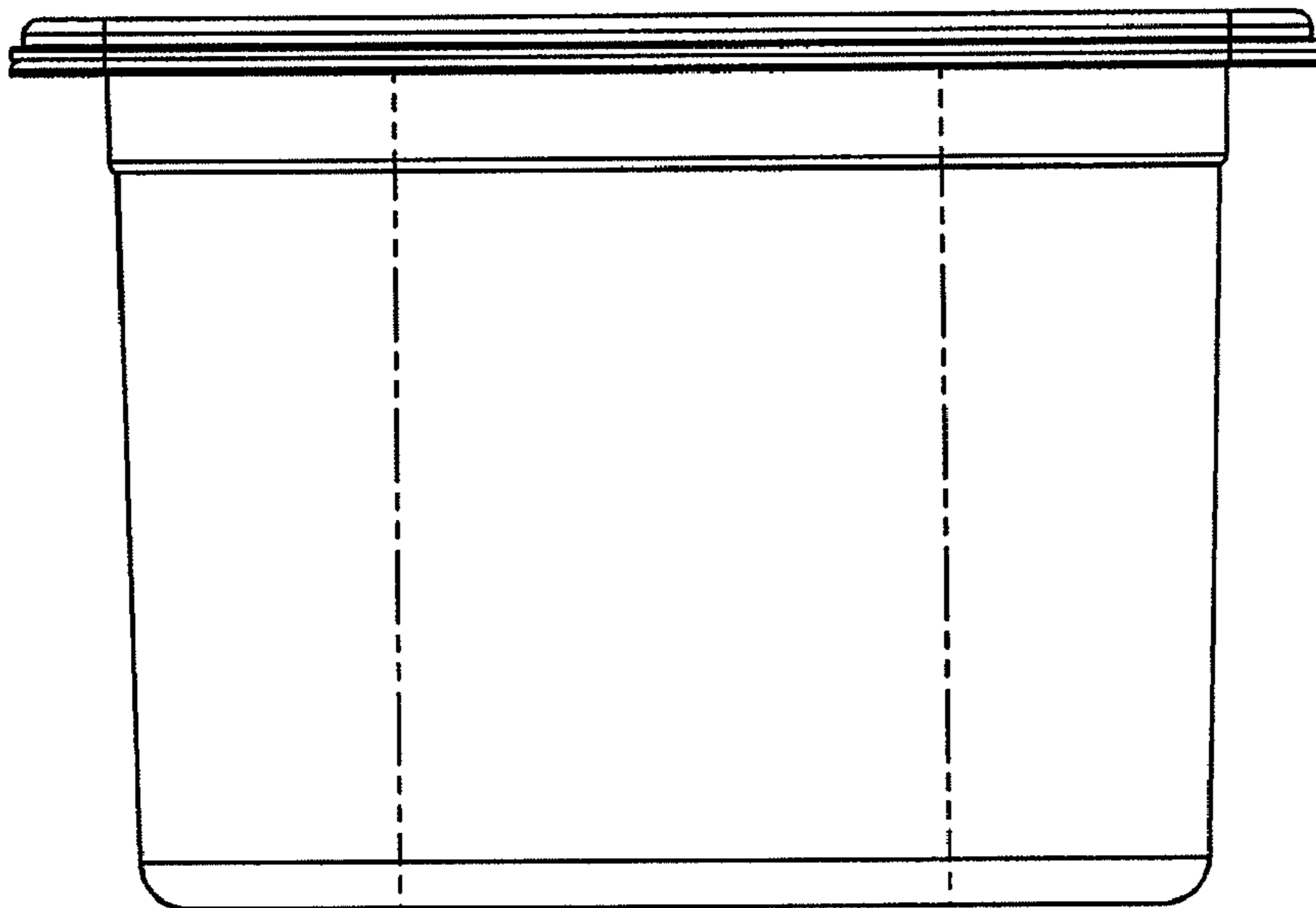


Fig. 3

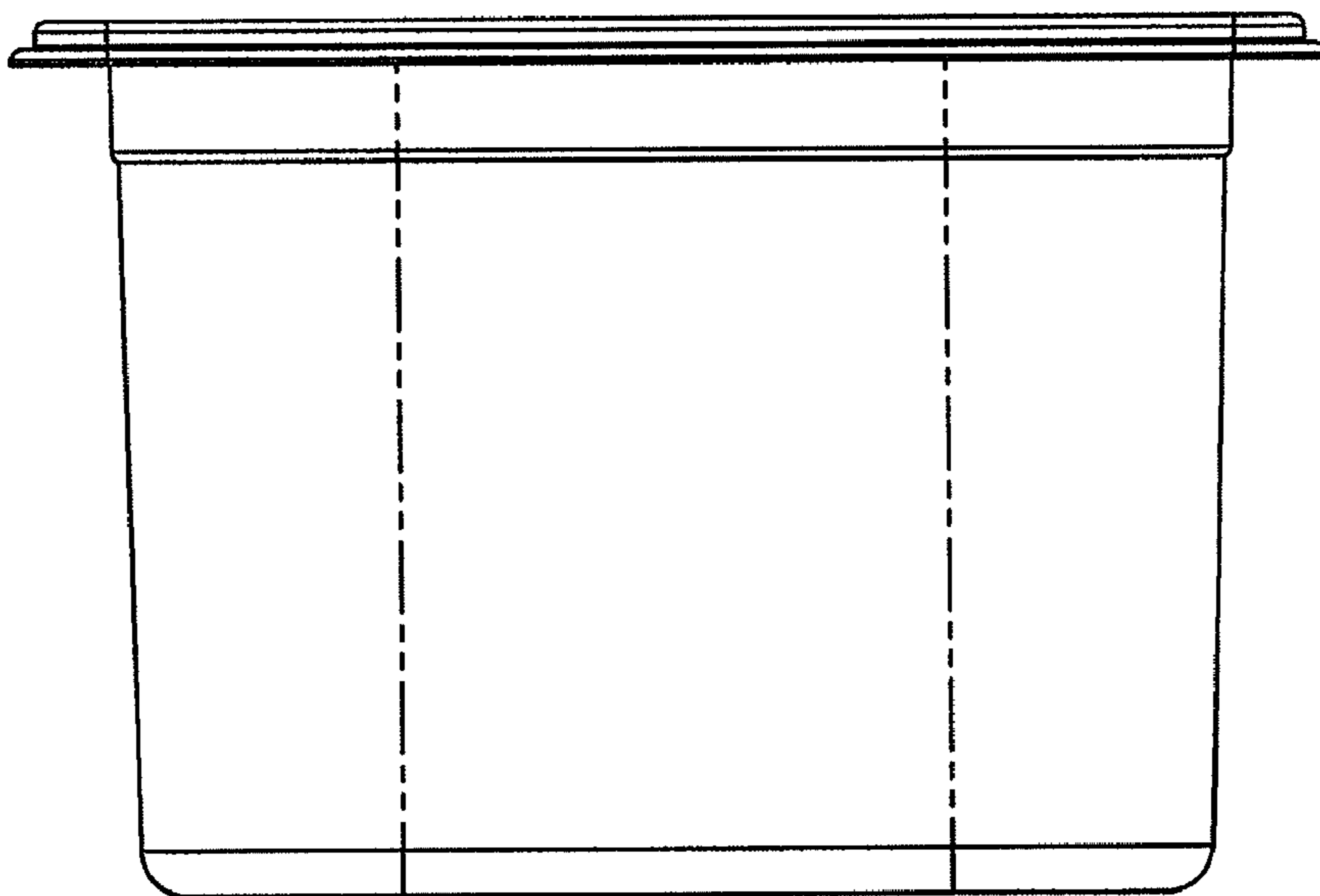


Fig. 4

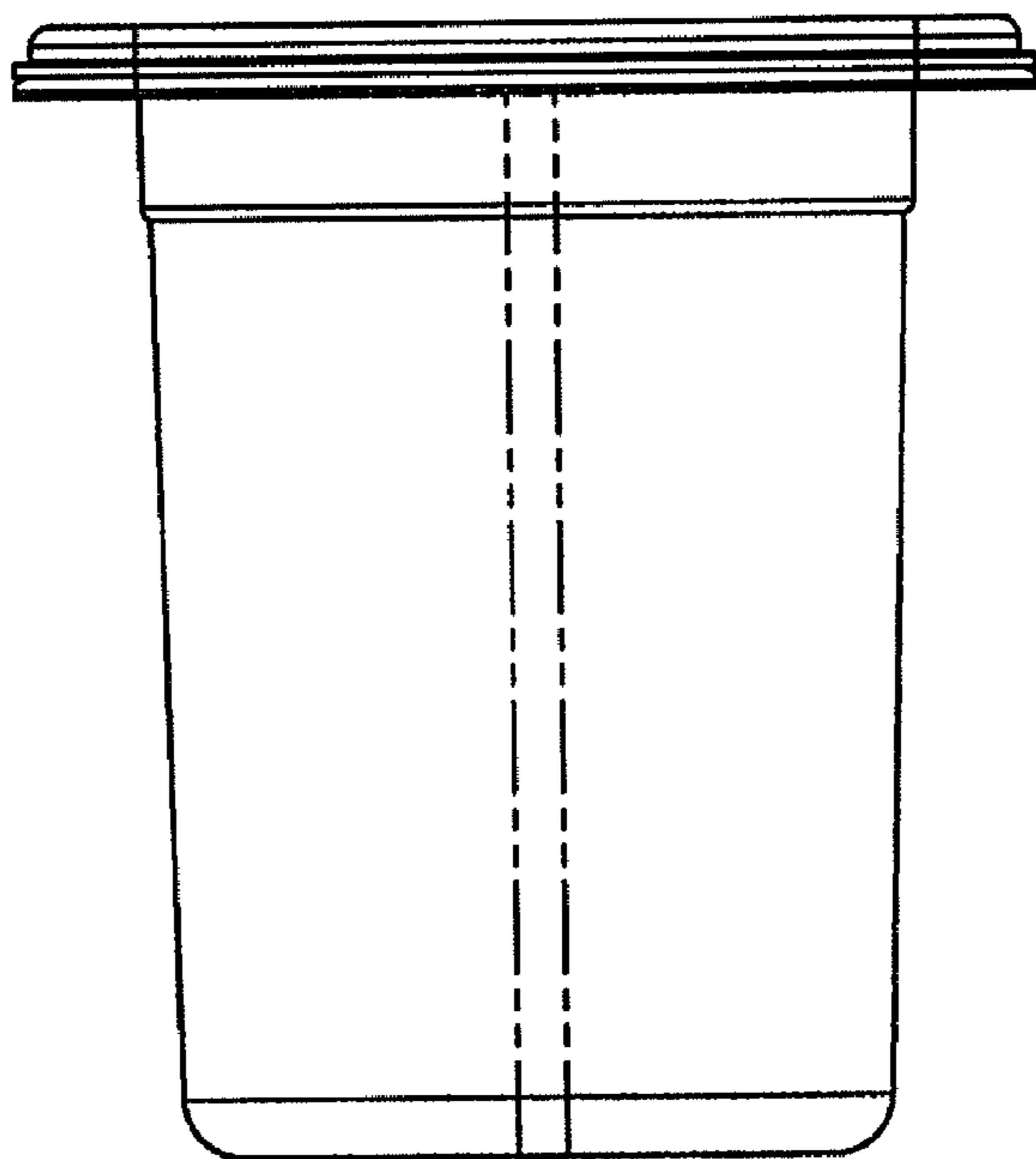


Fig. 5

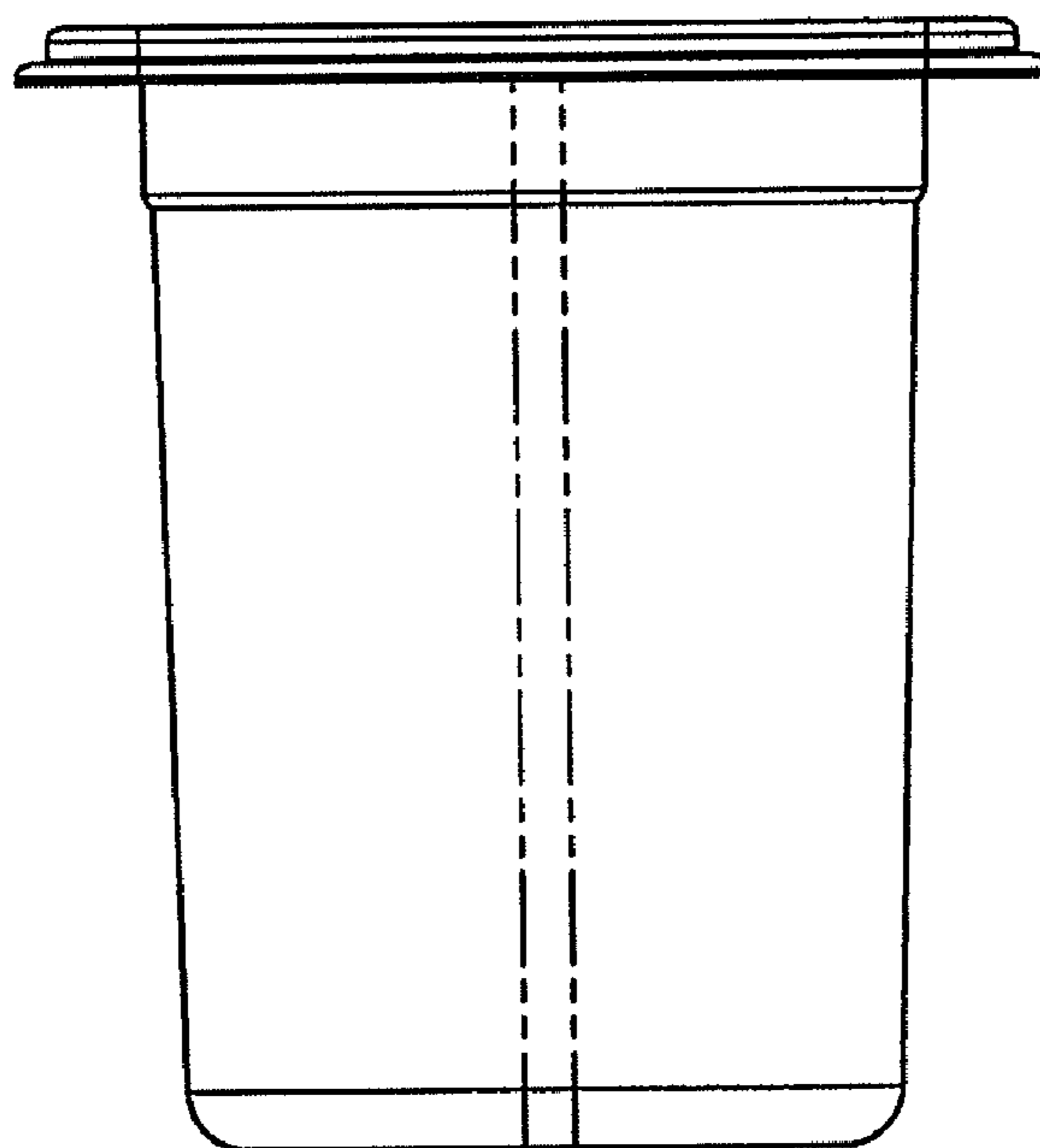


Fig. 6

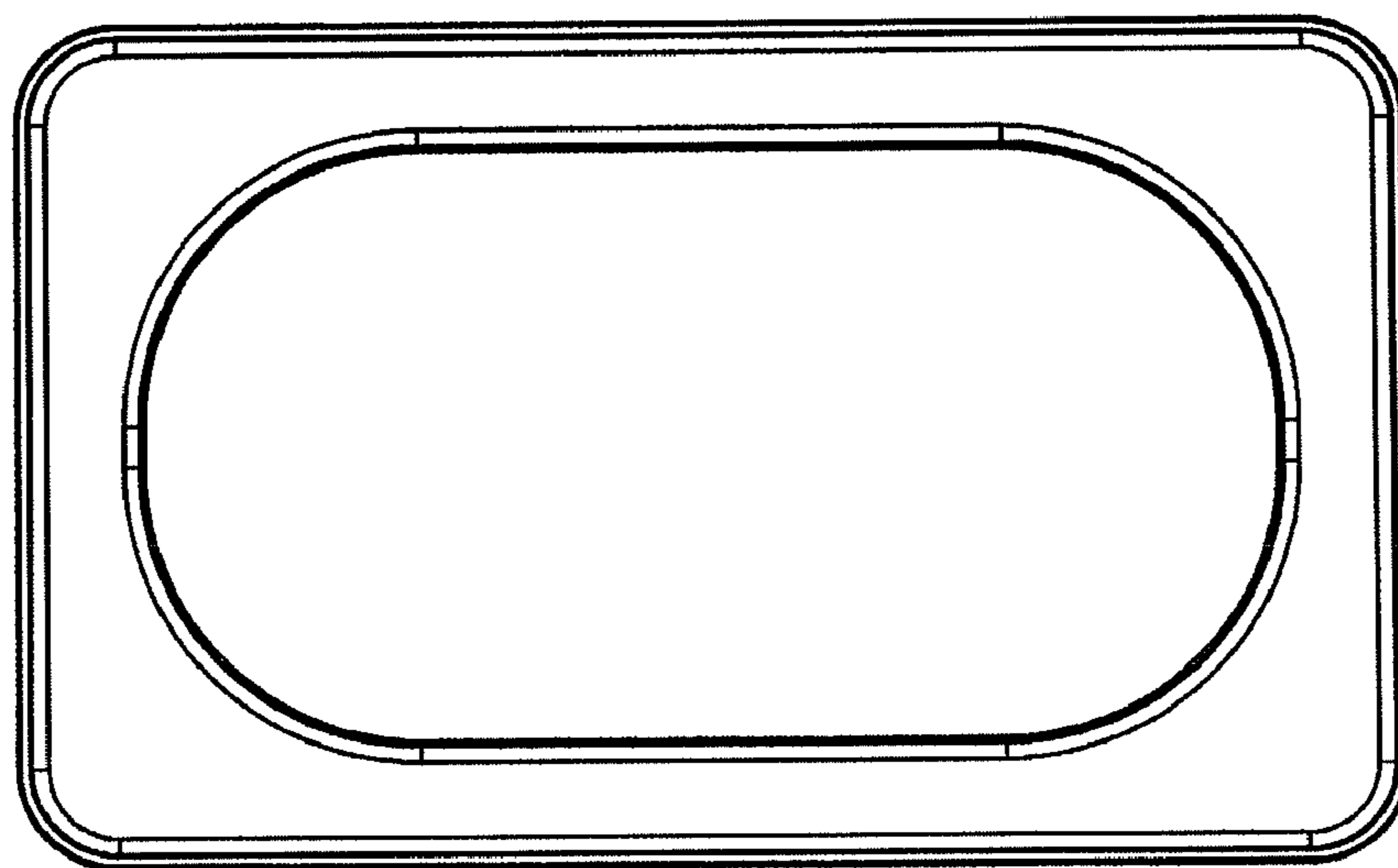


Fig. 7

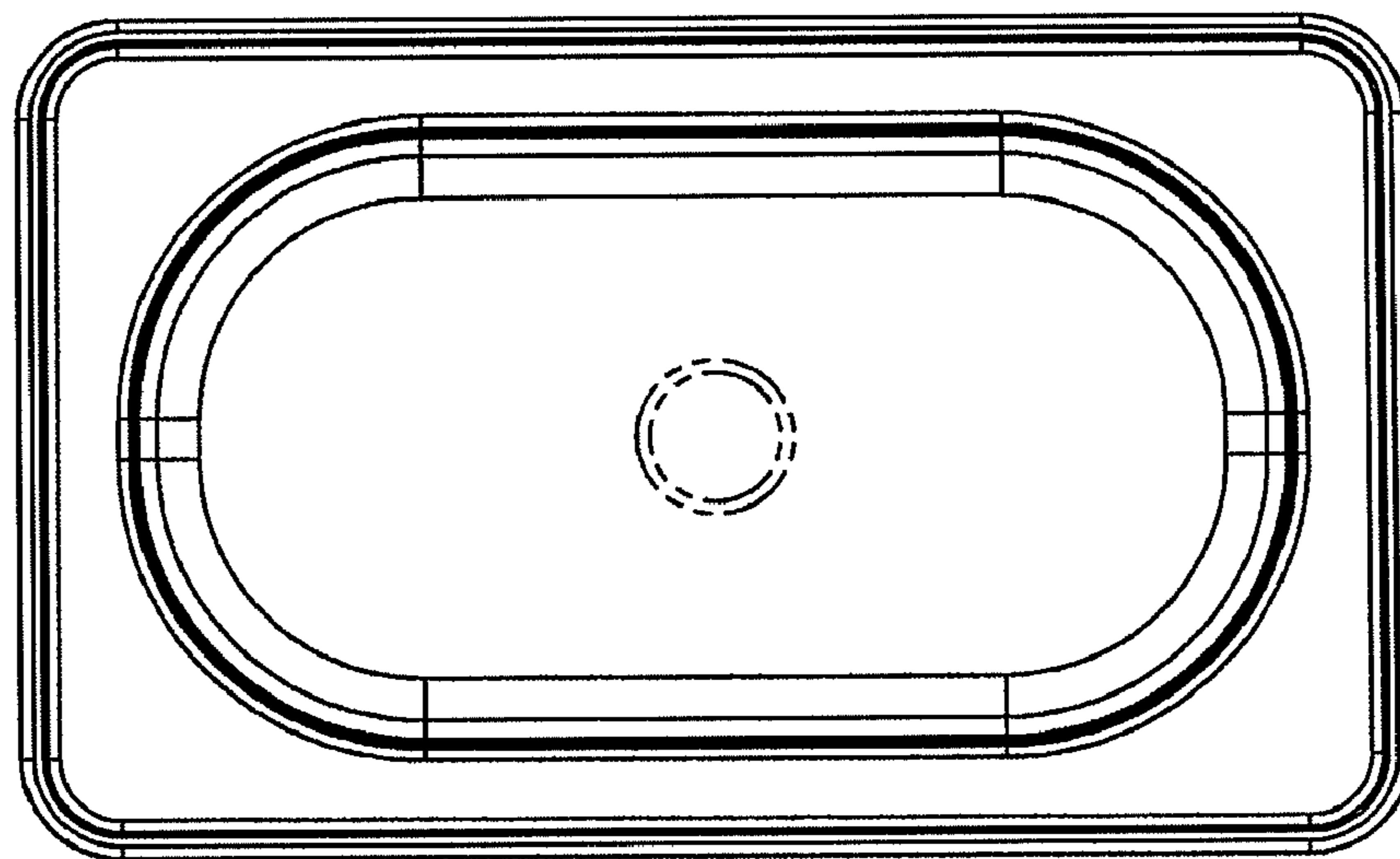


Fig. 8

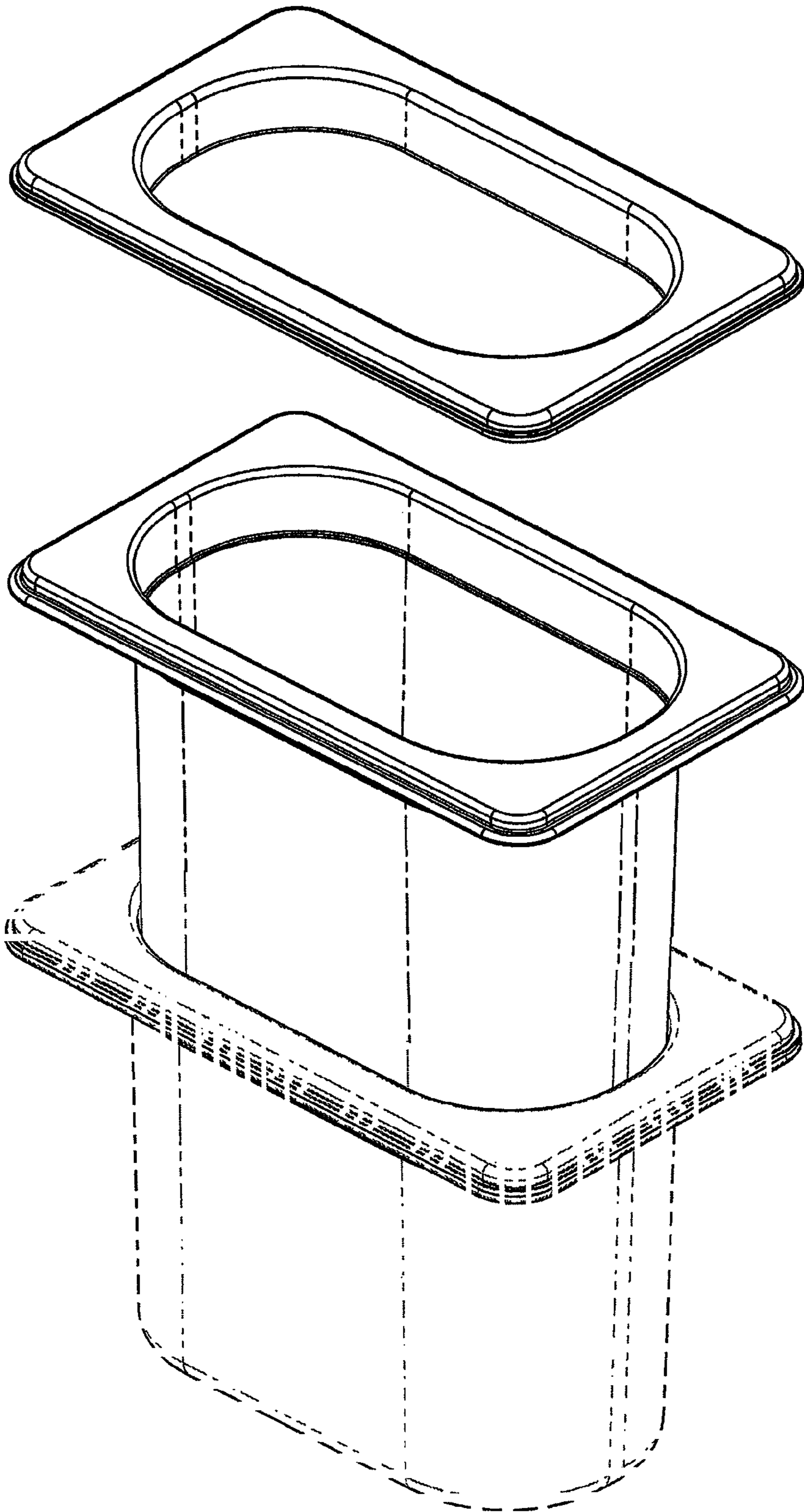


Fig. 9