



US00D650636S

(12) **United States Design Patent**  
**Roth**

(10) **Patent No.:** **US D650,636 S**

(45) **Date of Patent:** **\*\* Dec. 20, 2011**

(54) **SPICE RACK**

(76) Inventor: **David Roth**, Carrboro, NC (US)

(\*\*) Term: **14 Years**

(21) Appl. No.: **29/385,620**

(22) Filed: **Feb. 17, 2011**

(51) **LOC (9) Cl.** ..... **07-06**

(52) **U.S. Cl.** ..... **D7/600.1; D7/707**

(58) **Field of Classification Search** ..... **D7/600.1-600.4,**  
**D7/701-708; D6/457, 466, 469; 211/74,**  
**211/71.01, 85.18-85.23, 88.01, 90.01, 126.1**  
See application file for complete search history.

|                  |         |                 |        |
|------------------|---------|-----------------|--------|
| 5,931,551 A      | 8/1999  | Wang            |        |
| 7,237,686 B2     | 7/2007  | Bertrand et al. |        |
| D551,038 S *     | 9/2007  | Evaimalo et al. | D7/708 |
| D590,183 S *     | 4/2009  | Hensel          | D6/457 |
| D597,370 S *     | 8/2009  | Watkins         | D7/354 |
| 2002/0066708 A1  | 6/2002  | Gerard          |        |
| 2003/0178381 A1* | 9/2003  | Liang           | 211/74 |
| 2006/0201417 A1  | 9/2006  | Radow           |        |
| 2007/0170132 A1  | 7/2007  | Bertrand et al. |        |
| 2008/0283481 A1  | 11/2008 | Evans et al.    |        |

\* cited by examiner

*Primary Examiner* — Terry Wallace

(74) *Attorney, Agent, or Firm* — Olive Law Group, PLLC

(57) **CLAIM**

I claim the ornamental design for the spice rack, as shown and described.

(56) **References Cited**

**U.S. PATENT DOCUMENTS**

|               |         |                   |         |
|---------------|---------|-------------------|---------|
| 242,607 A     | 6/1881  | Cutler            |         |
| 3,211,290 A * | 10/1965 | Strickling        | 209/522 |
| 3,834,778 A   | 9/1974  | Morrison et al.   |         |
| 4,441,771 A   | 4/1984  | Roesler           |         |
| 4,588,237 A   | 5/1986  | Marder            |         |
| D307,997 S *  | 5/1990  | Bernstein         | D7/707  |
| D311,115 S *  | 10/1990 | Abraham           | D7/708  |
| 4,960,307 A   | 10/1990 | Nelsen            |         |
| D323,447 S *  | 1/1992  | Booz              | D7/705  |
| D330,513 S *  | 10/1992 | Gilchrist         | D7/703  |
| 5,201,575 A   | 4/1993  | Stolzel et al.    |         |
| 5,244,272 A   | 9/1993  | Thompson          |         |
| 5,655,673 A   | 8/1997  | Weterrings et al. |         |
| 5,756,977 A   | 5/1998  | Biss              |         |

**DESCRIPTION**

FIG. 1 is a top plan view of the spice rack showing my new design.

FIG. 2 is a front view thereof, having the spice canisters installed therein.

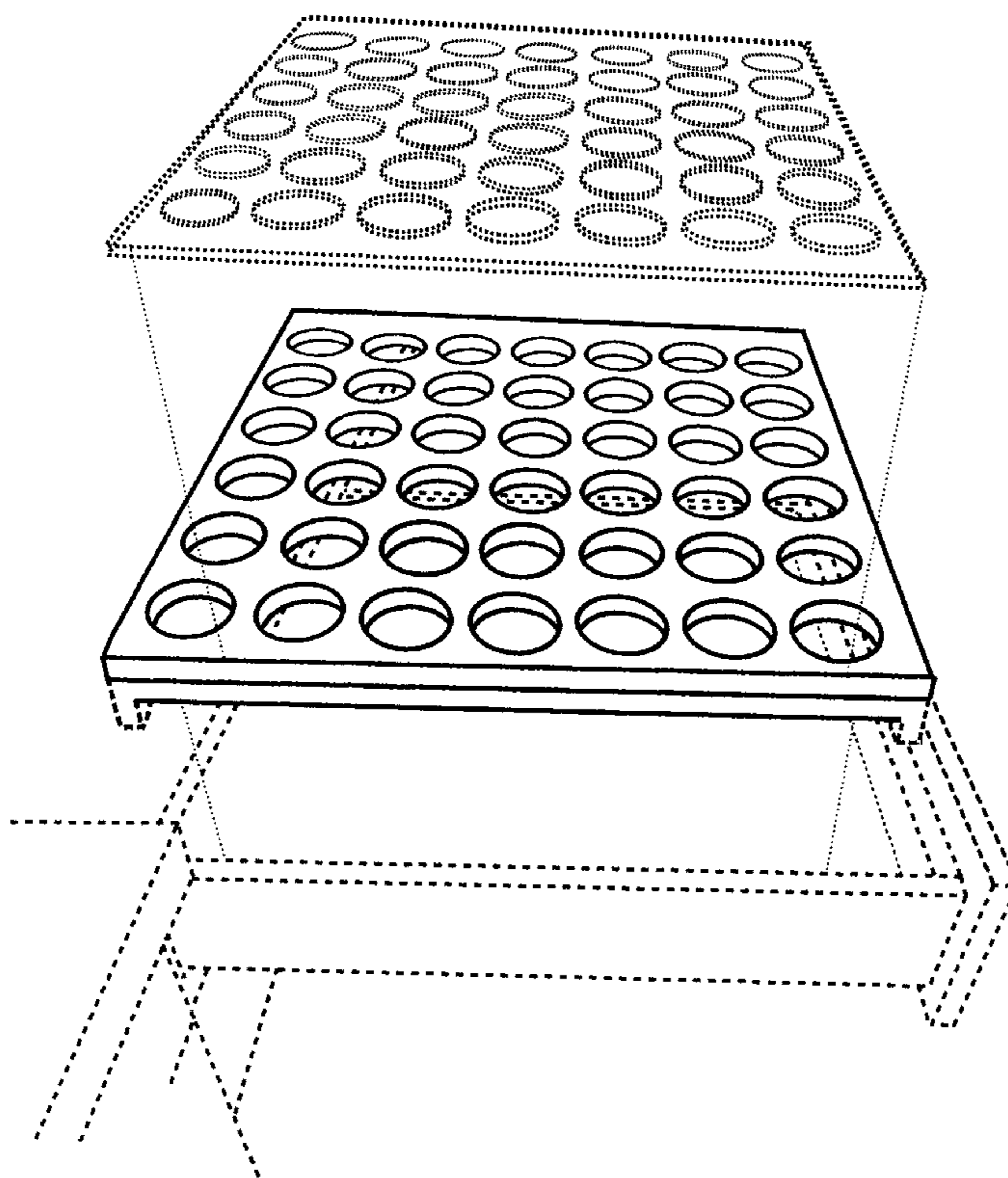
FIG. 3 is a side view thereof.

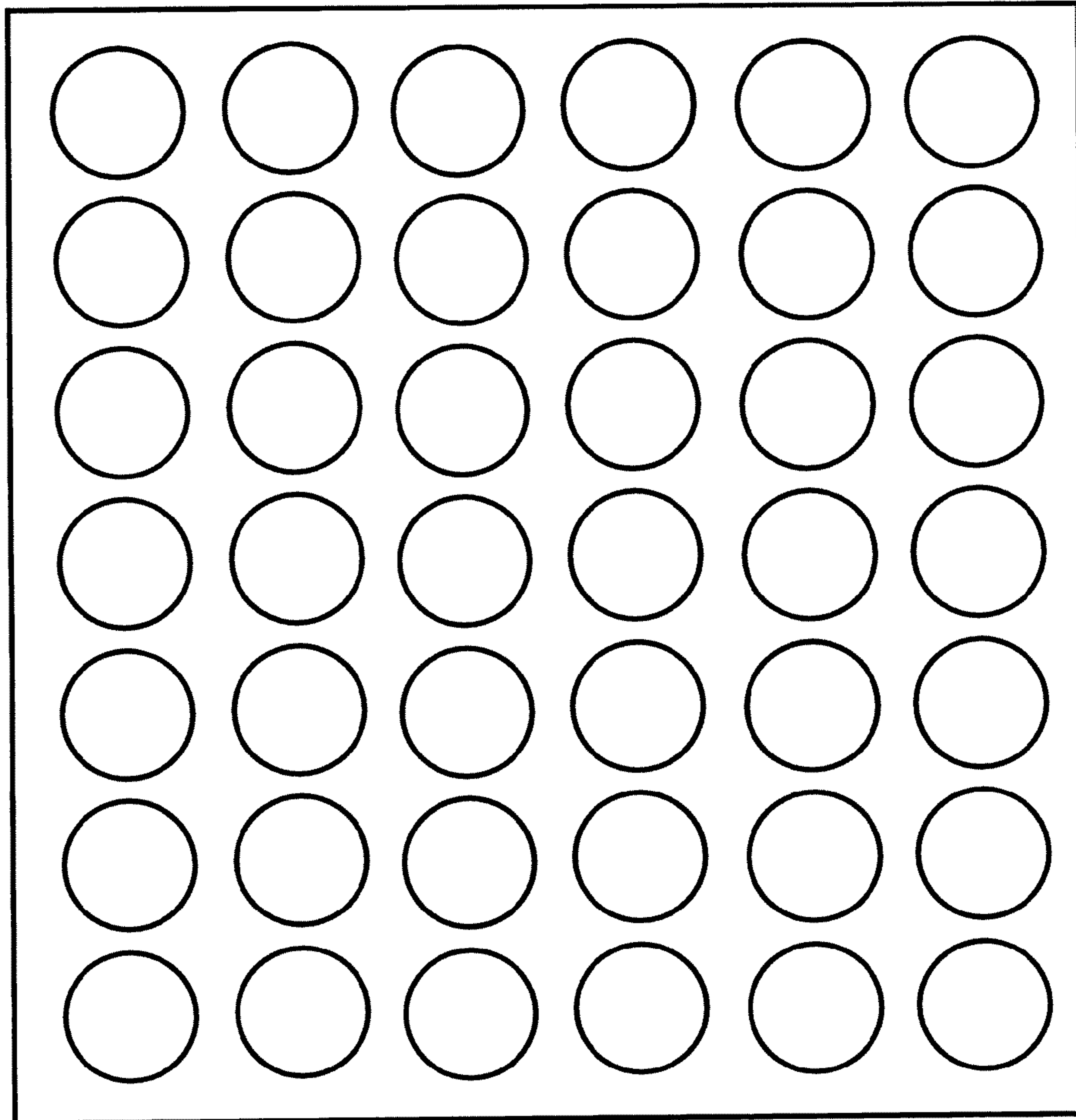
FIG. 4 is a perspective view thereof installed within a drawer; and,

FIG. 5 is an exploded perspective view thereof.

The drawer and spice rack cover and spice canisters are shown in broken lines for illustrative purposes only and form no part of the claimed design.

**1 Claim, 4 Drawing Sheets**





**Fig. 1**

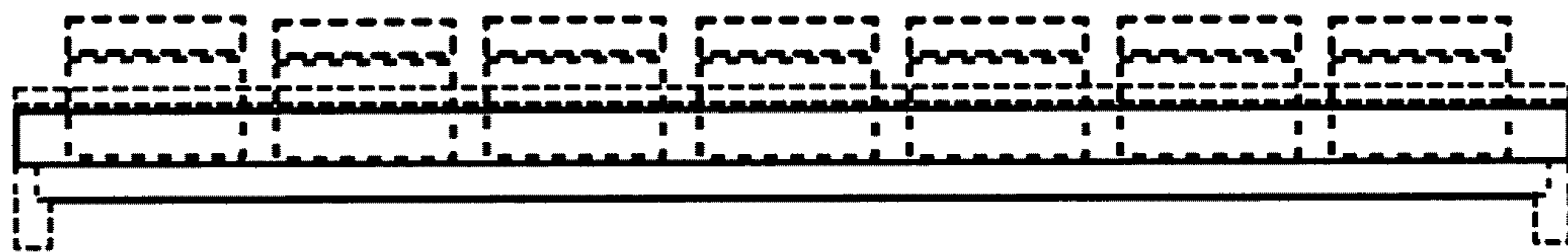


Fig. 2

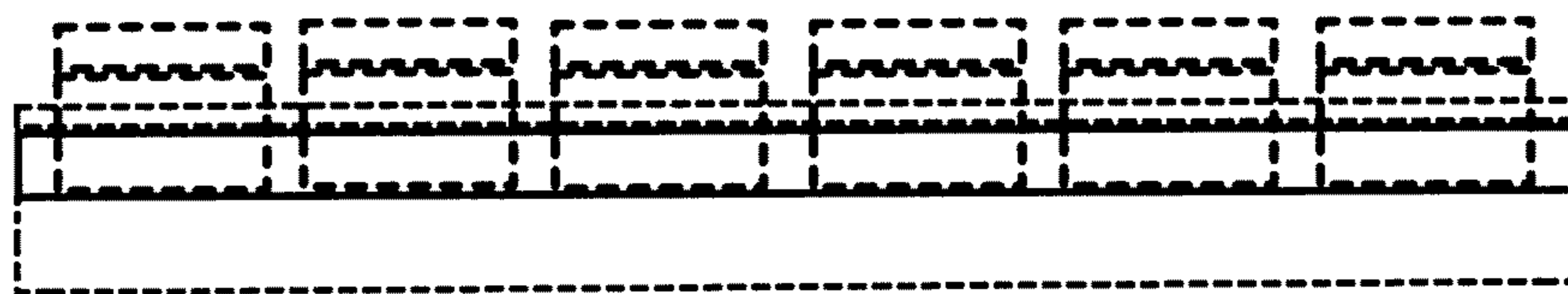


Fig. 3

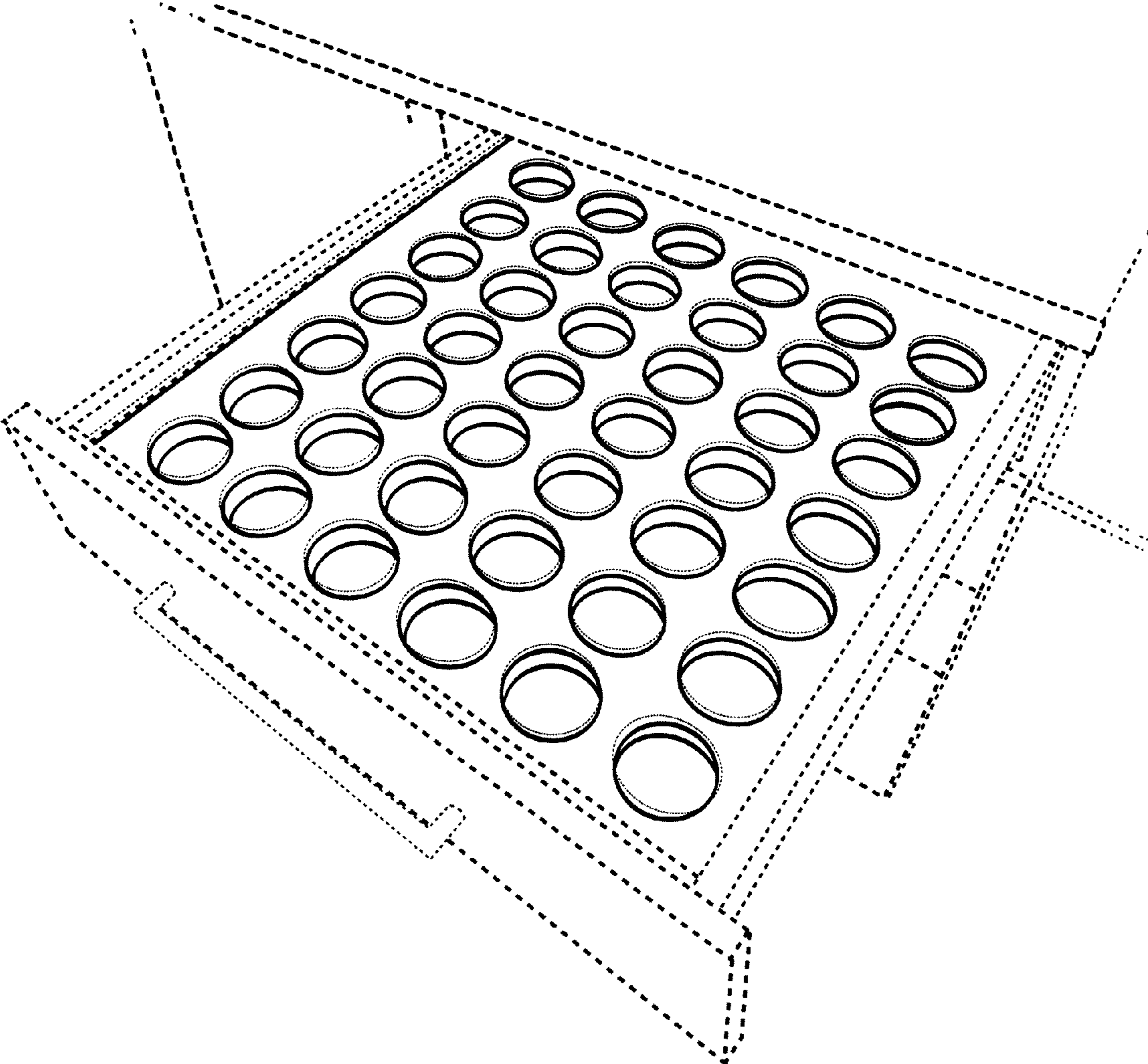


Fig. 4

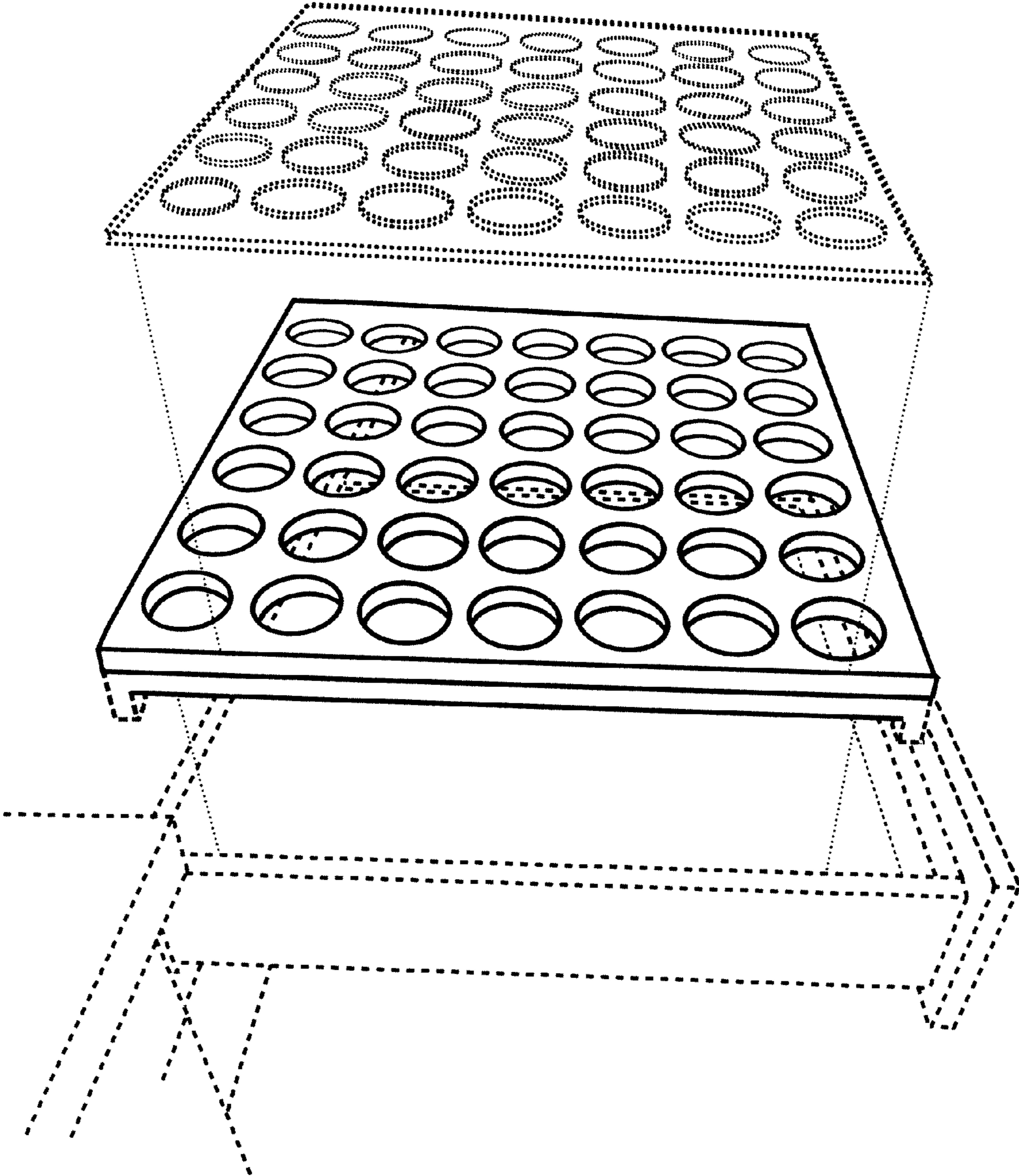


Fig. 5