



US00D650634S

(12) **United States Design Patent**
Hodge et al.

(10) **Patent No.:** **US D650,634 S**

(45) **Date of Patent:** **** Dec. 20, 2011**

(54) **PLASTIC CUP WITH GRADUATED STEPS**

(75) Inventors: **Don Hodge**, Clare, MI (US); **Don Tomalia**, Midland, MI (US)

(73) Assignee: **Huhtamaki, Inc.**, De Soto, KS (US)

(**) Term: **14 Years**

(21) Appl. No.: **29/367,649**

(22) Filed: **Aug. 11, 2010**

(51) **LOC (9) Cl.** **07-01**

(52) **U.S. Cl.** **D7/532; D7/523**

(58) **Field of Classification Search** D7/510,
D7/511, 500, 532, 900; 215/121, 382, 388,
215/387, 383; 220/674, 715, 713, 718, 592.16,
220/592.17, 709, 708; D9/551, 529, 428;
366/341

See application file for complete search history.

(56) **References Cited**

U.S. PATENT DOCUMENTS

3,091,360 A * 5/1963 Edwards 206/520
D198,139 S * 5/1964 Edwards D7/532
3,131,845 A * 5/1964 Gerrard et al. 229/400

3,139,213 A * 6/1964 Edwards 206/519
3,372,830 A * 3/1968 Edwards 206/519
3,397,867 A * 8/1968 Van T' Hoff 366/341
D213,173 S * 1/1969 Lockhart D7/532
3,850,361 A * 11/1974 Day et al. 229/400
4,052,037 A * 10/1977 Mair et al. 366/341
D272,794 S * 2/1984 Dart D7/532
D475,243 S * 6/2003 Trazzi D7/532
D619,852 S * 7/2010 Bodum D7/532

* cited by examiner

Primary Examiner — Cynthia Underwood

(74) *Attorney, Agent, or Firm* — Husch Blackwell LLP

(57) **CLAIM**

The ornamental design for a plastic cup with graduated steps, as shown and described.

DESCRIPTION

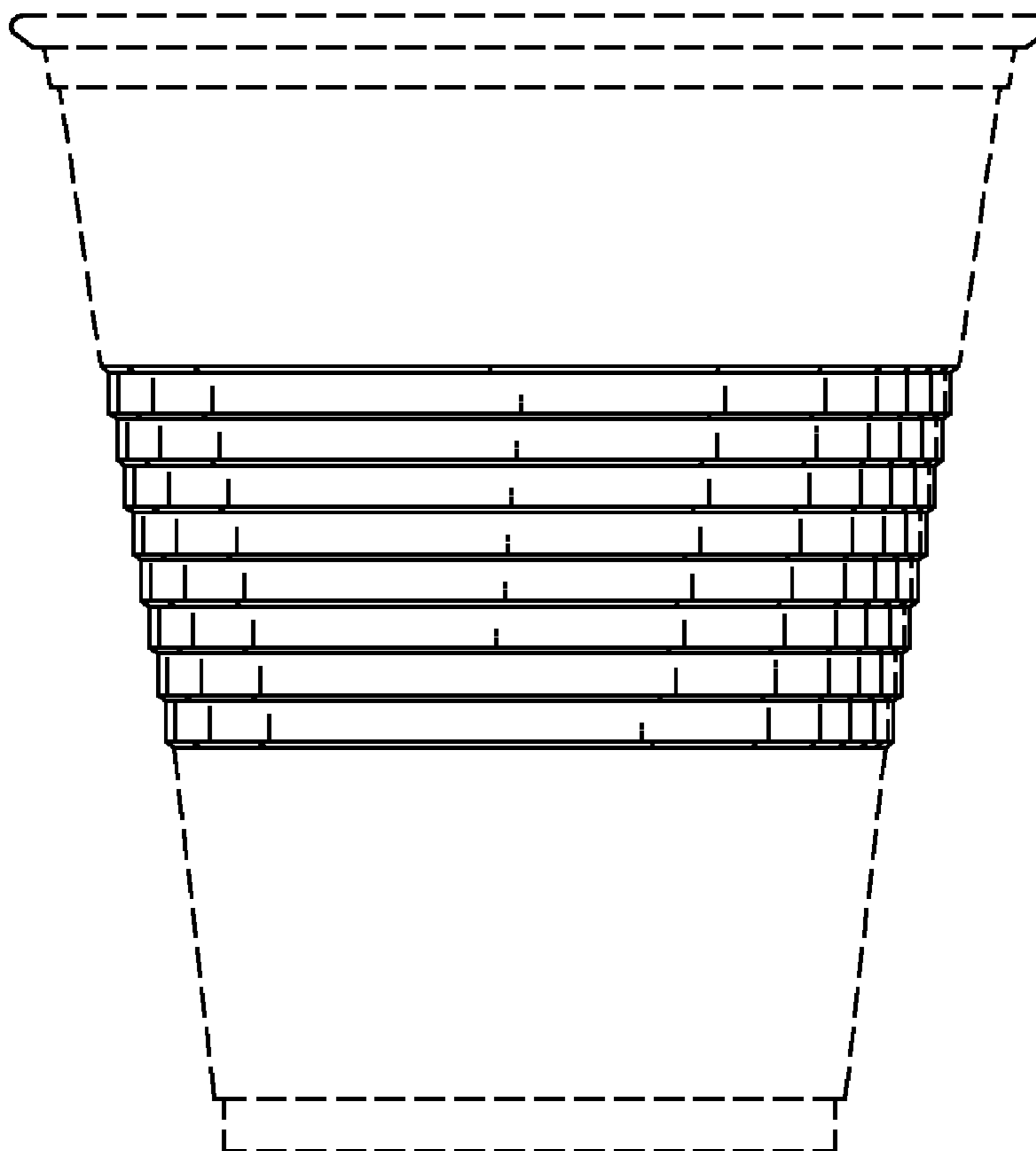
FIG. 1 is a perspective view of the plastic cup with graduated steps;

FIG. 2 is a side elevational view thereof; and,

FIG. 3 is a bottom plan view thereof.

The features shown in broken lines depict environmental subject matter only and form no part of the claimed design.

1 Claim, 1 Drawing Sheet



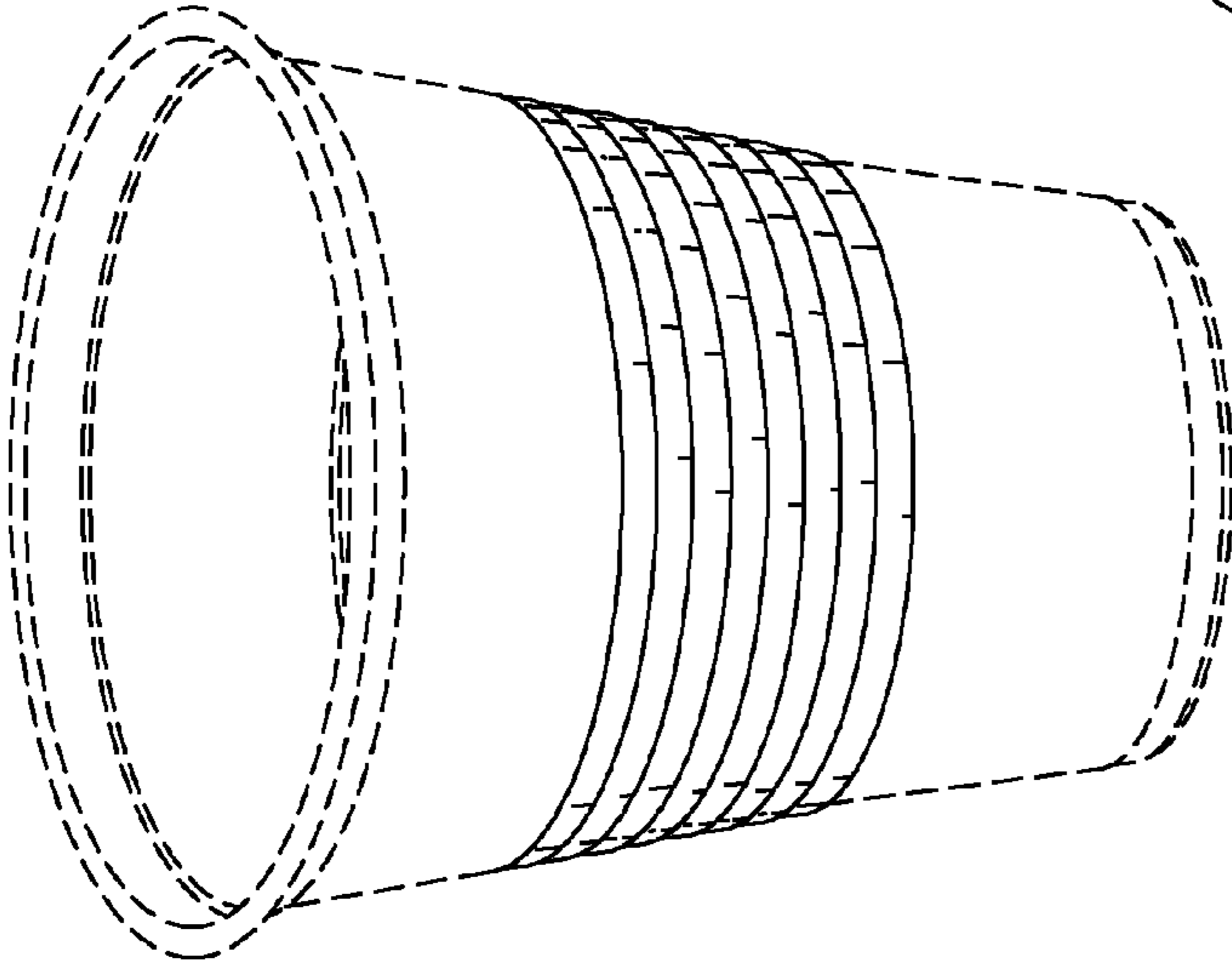


FIG. 1.

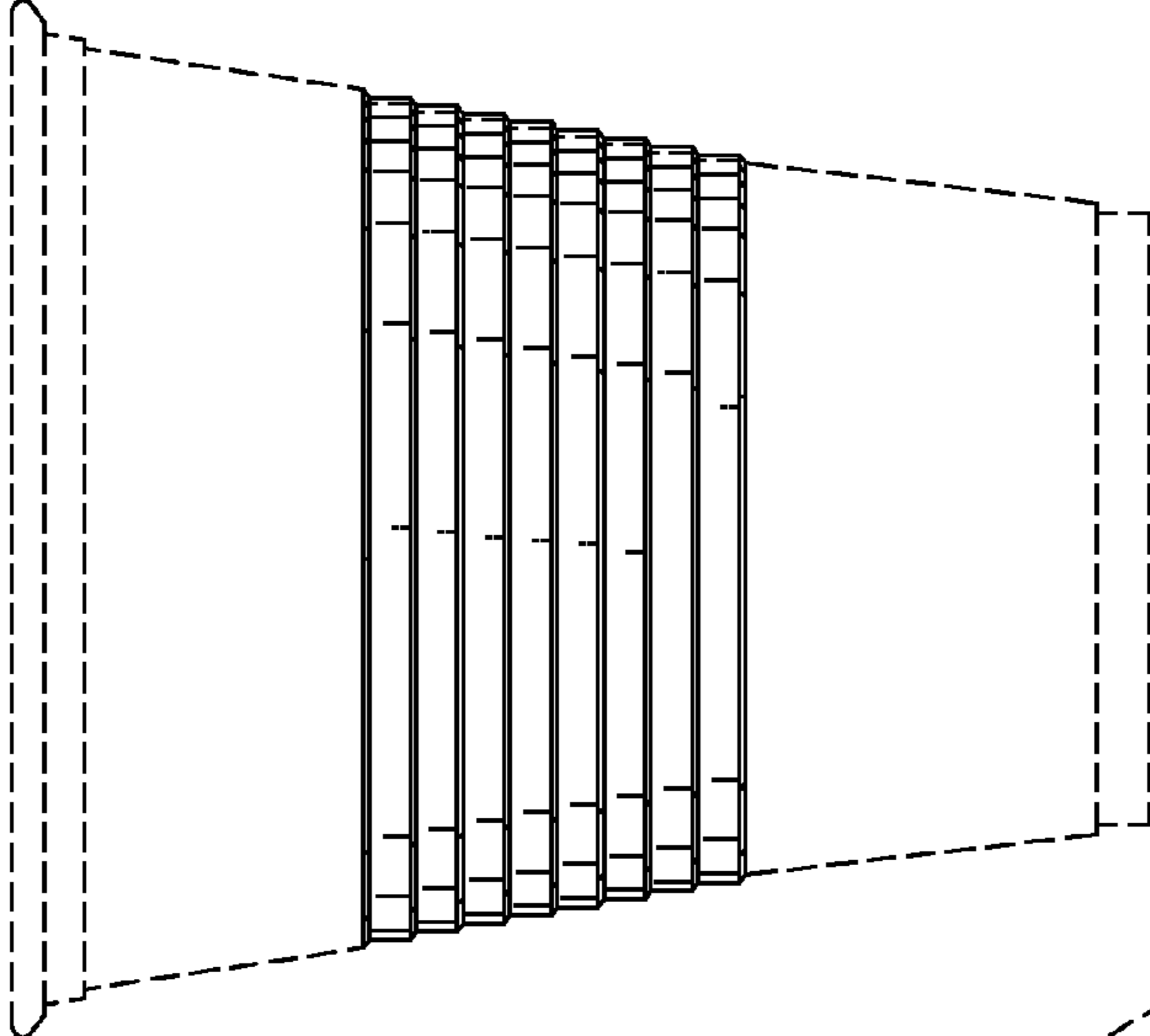


FIG. 2.

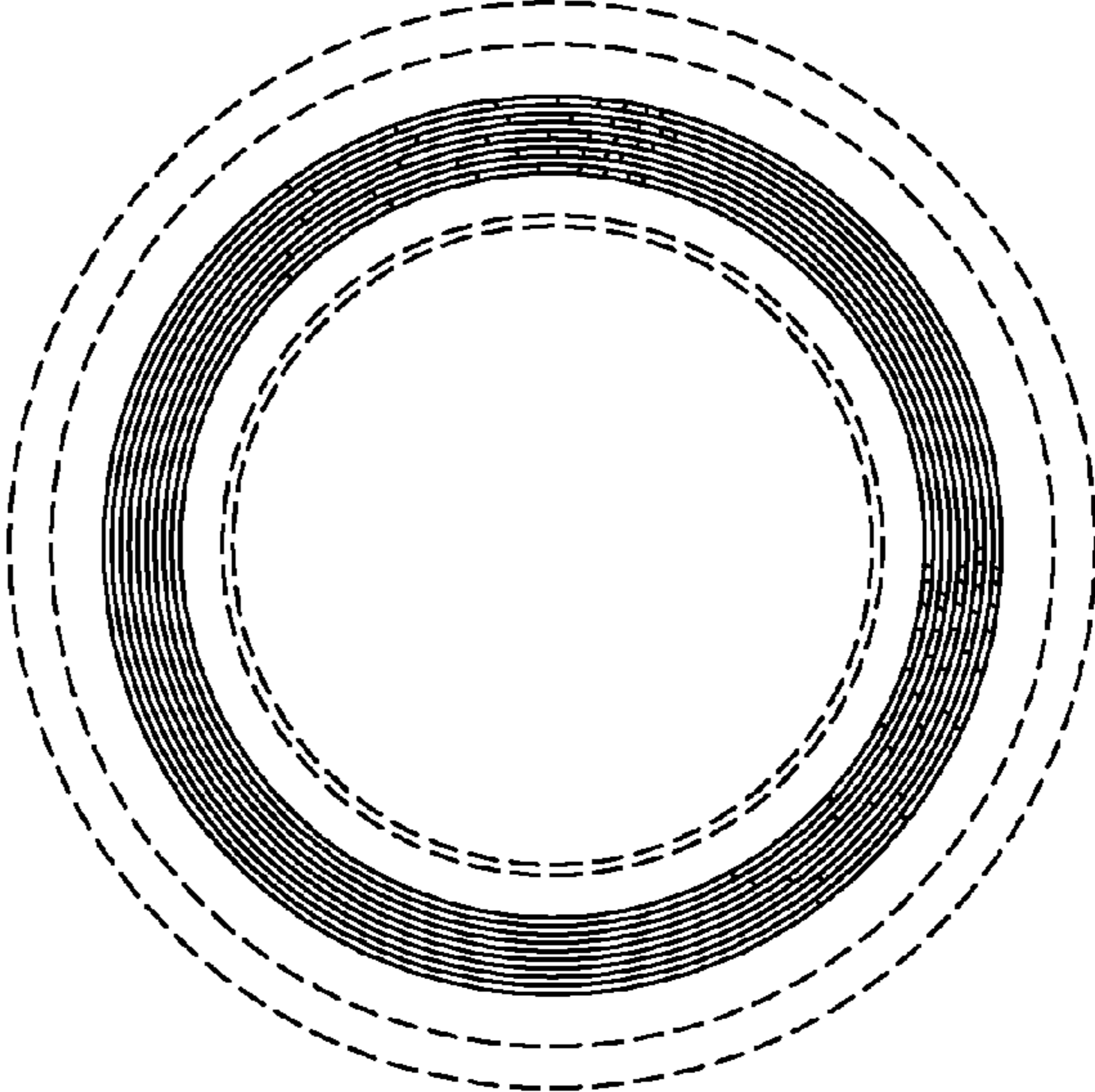


FIG. 3.