



US00D650632S

(12) **United States Design Patent**  
**Zemel**

(10) **Patent No.:** **US D650,632 S**

(45) **Date of Patent:** **\*\* \*Dec. 20, 2011**

(54) **DEEP GRILLING TOPPER**

(75) Inventor: **Marc Zemel**, Old Bethpage, NY (US)

(73) Assignee: **Mr. Bar-B-Q, Inc.**, Old Bethpage, NY (US)

(\*) Notice: This patent is subject to a terminal disclaimer.

(\*\*) Term: **14 Years**

(21) Appl. No.: **29/388,201**

(22) Filed: **Mar. 25, 2011**

(51) **LOC (9) Cl.** ..... **07-02**

(52) **U.S. Cl.** ..... **D7/409; D7/354**

(58) **Field of Classification Search** ..... D3/307;  
D6/511, 601; D7/323, 329-332, 337, 339,  
D7/346-347, 350.1-350.4, 354-363, 391,  
D7/393, 395, 402, 408-409, 505, 538, 542,  
D7/549, 587, 667; D15/89; D30/161; D32/3;  
99/324-325, 331-332, 337-340, 396, 400-418,  
99/425, 444-446, 450; 119/161, 166; 126/9 R,  
126/25 A, 25 R, 41 R, 166, 275 R, 332, 380.1,  
126/390.1; 206/501-505, 507-508; 219/400,  
219/405, 435-442, 620-624, 725, 730-735;  
220/485, 491, 573.1-573.5, 759, 912; 426/438,  
426/441, 523

See application file for complete search history.

(56) **References Cited**

**U.S. PATENT DOCUMENTS**

1,819,660 A \* 8/1931 Stone ..... 99/446  
D183,298 S \* 8/1958 Browne ..... D7/409  
2,868,189 A \* 1/1959 Watrous ..... 126/25 A

D241,777 S \* 10/1976 Allman ..... D15/89  
5,701,844 A \* 12/1997 Murphy ..... 119/166  
D389,015 S \* 1/1998 Karroll ..... D7/409  
D395,548 S \* 6/1998 Morissette ..... D3/307  
D404,854 S \* 1/1999 Howarth ..... D30/161  
D416,165 S \* 11/1999 Zemel ..... D7/359  
D417,124 S \* 11/1999 Chen ..... D7/409  
D481,179 S \* 10/2003 Wendt et al. .... D32/3  
7,340,994 B2 \* 3/2008 Bruno et al. .... 99/450  
D588,399 S \* 3/2009 Vrbaneck ..... D7/359  
D604,556 S \* 11/2009 Zemel ..... D7/359  
D608,146 S \* 1/2010 Zemel ..... D7/409  
D621,655 S \* 8/2010 Zemel ..... D7/409  
D624,787 S \* 10/2010 Adams et al. .... D7/409  
D634,570 S \* 3/2011 Lin ..... D6/511  
D635,825 S \* 4/2011 Borovicka et al. .... D7/409  
D639,603 S \* 6/2011 Degnan ..... D7/360  
2006/0219233 A1 \* 10/2006 Sorenson et al. .... 126/9 R

\* cited by examiner

*Primary Examiner* — Ricky Pham

(74) *Attorney, Agent, or Firm* — Kalow & Springut, LLP

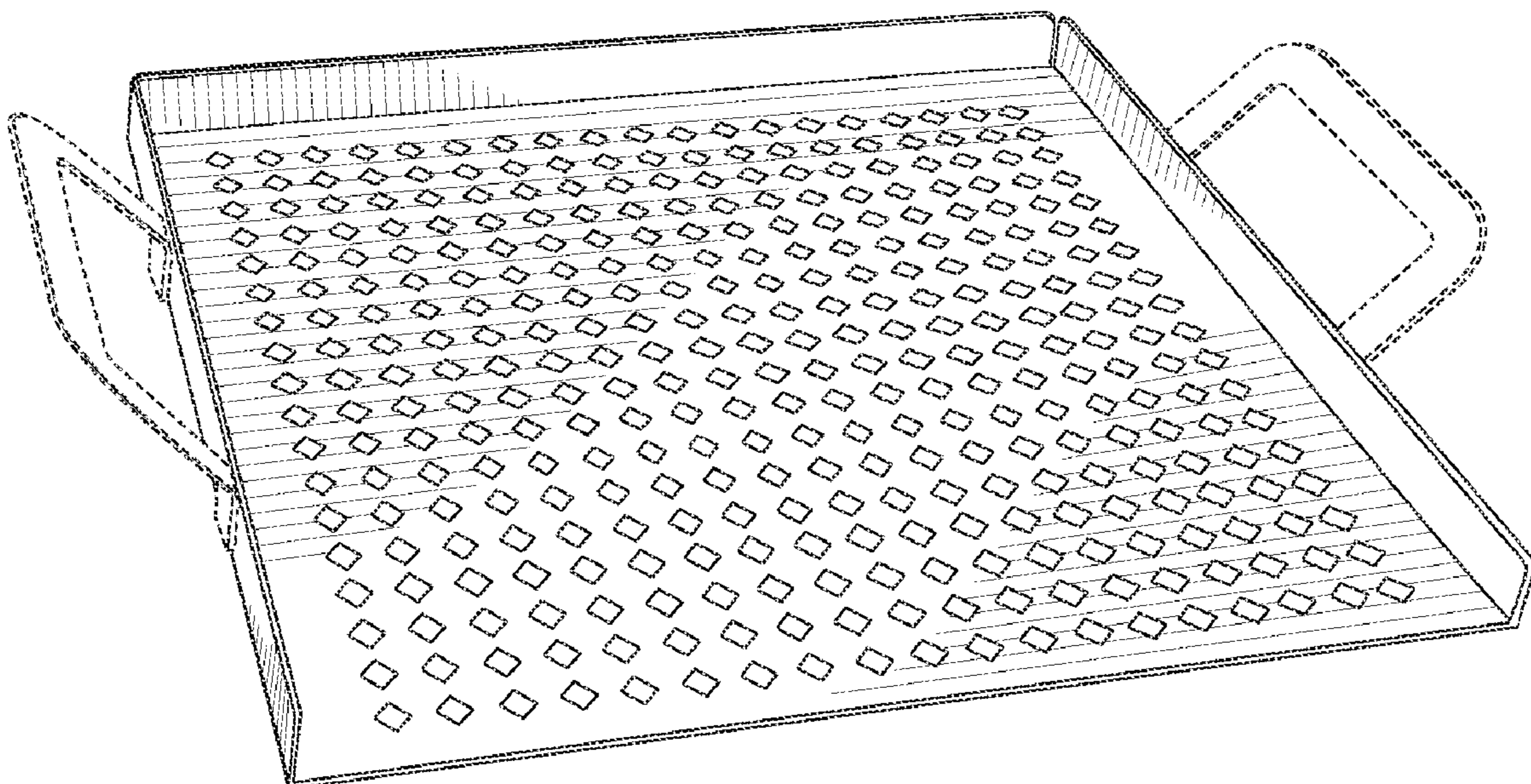
(57) **CLAIM**

The ornamental design for a deep grilling topper, as shown and described.

**DESCRIPTION**

FIG. 1 is a front perspective view of the deep grilling topper. FIG. 2 is a left side view of the deep grilling topper. FIG. 3 is a top side view of the deep grilling topper. FIG. 4 is a right side view of the deep grilling topper. FIG. 5 is a back view of the deep grilling topper. FIG. 6 is a bottom view of the deep grilling topper; and, FIG. 7 is a front view of the deep grilling topper. The broken lines shown in the drawings are for illustrative purposes only and form no part of the claimed design.

**1 Claim, 3 Drawing Sheets**



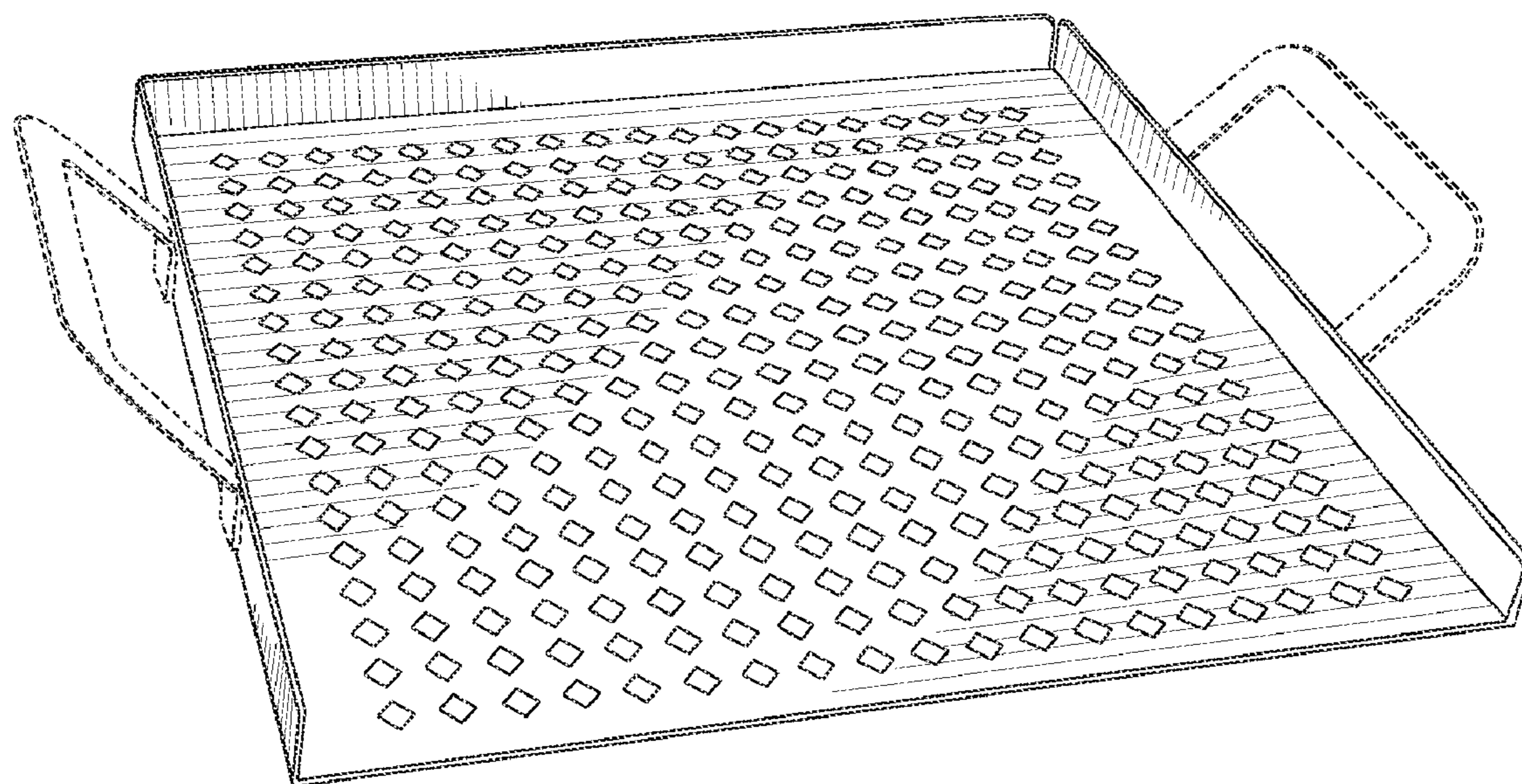


FIG. 1

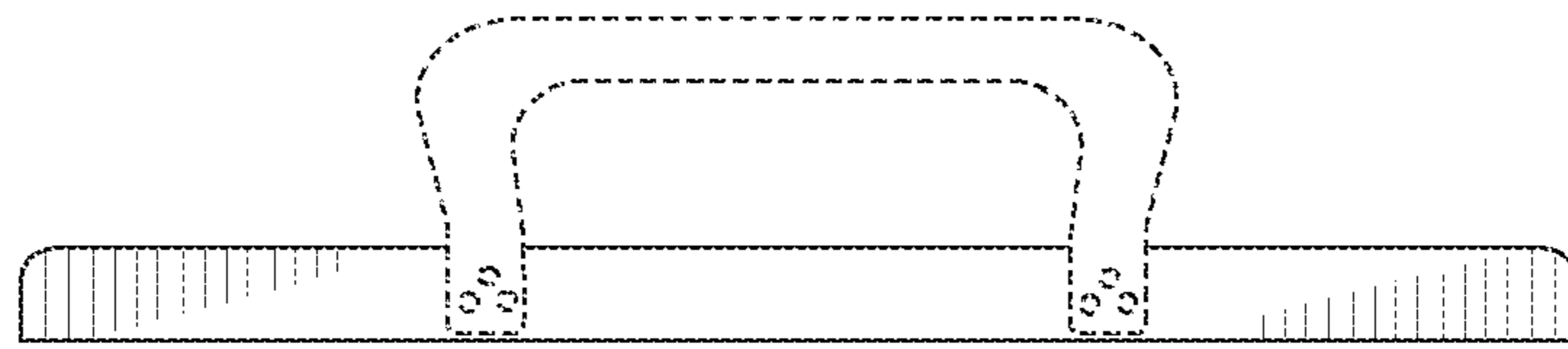


FIG. 2

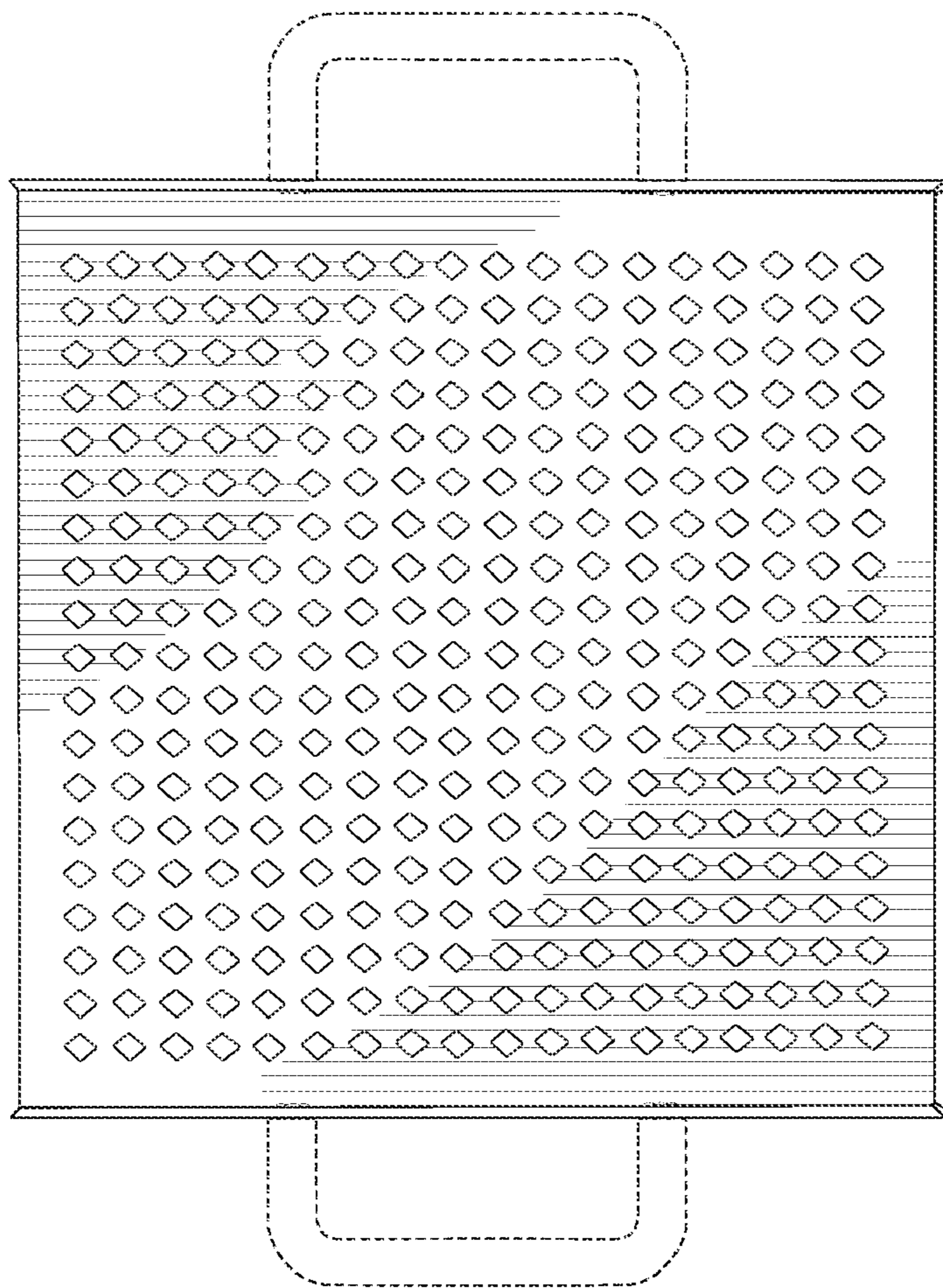


FIG. 3

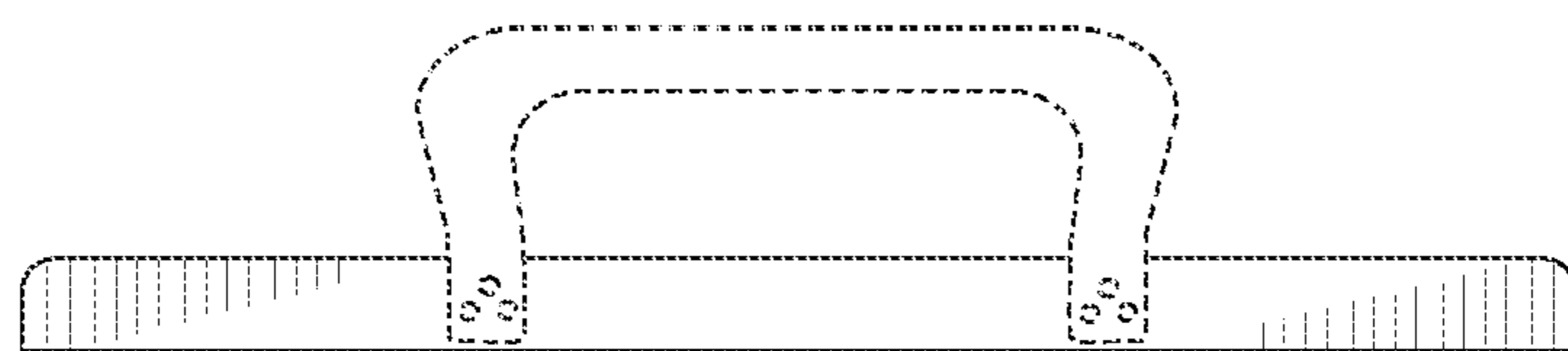


FIG. 4

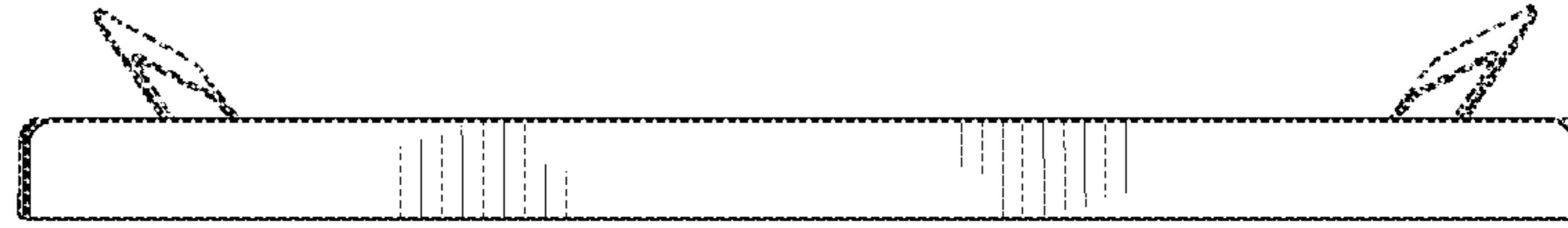


FIG. 5

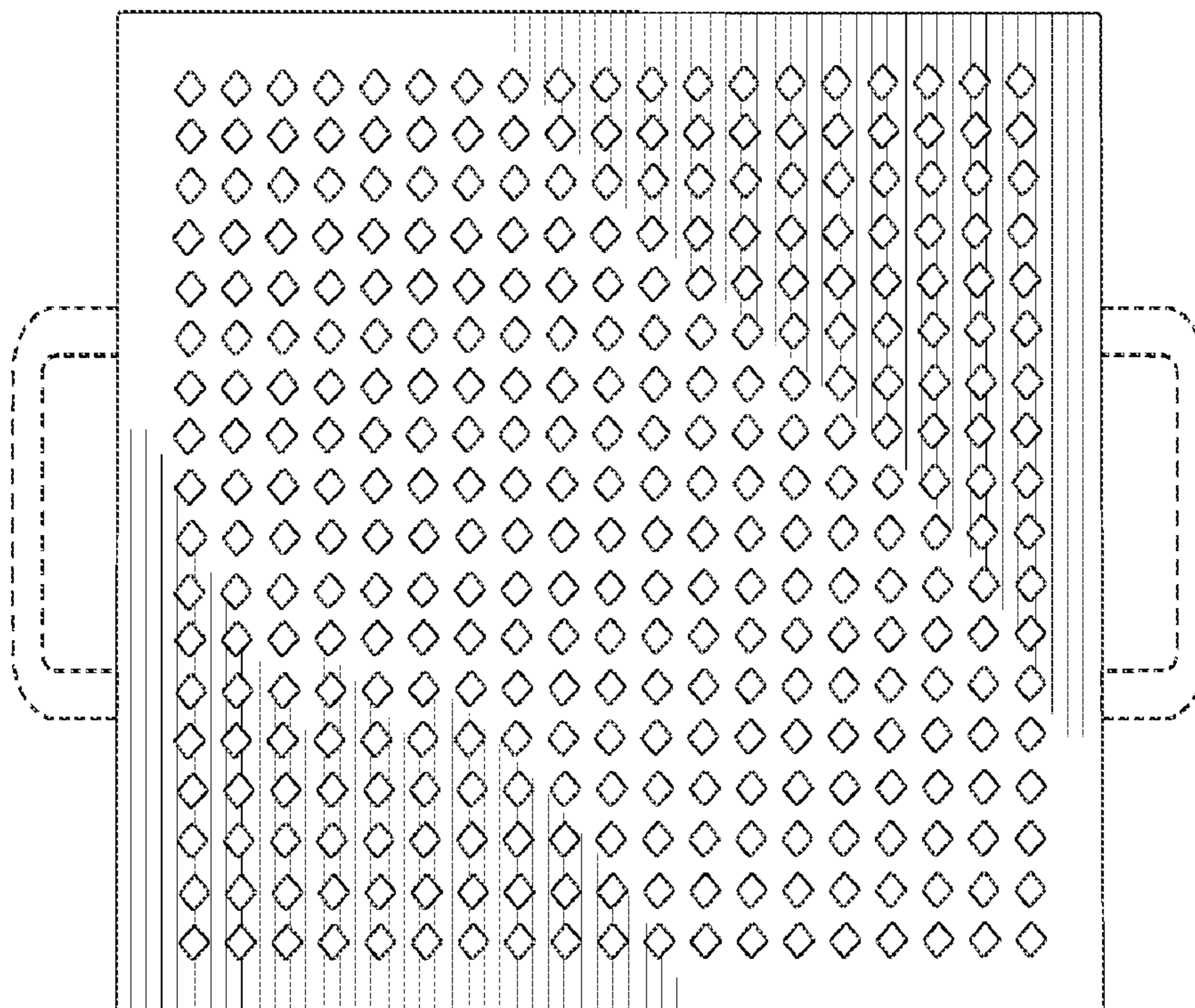


FIG. 6

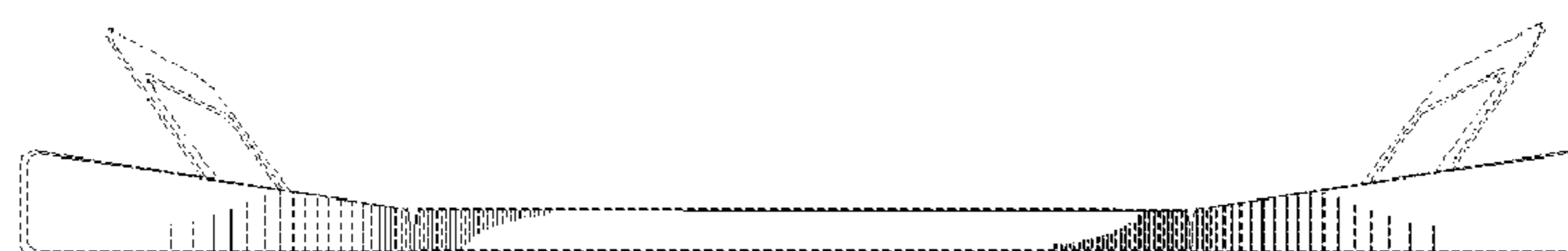


FIG. 7