



US00D650629S

(12) **United States Design Patent**
Gilbert

(10) **Patent No.:** **US D650,629 S**

(45) **Date of Patent:** **** Dec. 20, 2011**

(54) **BEVERAGE CONTAINER**

(75) **Inventor:** **Tyler Sean Gilbert**, Bellevue, WA (US)

(73) **Assignee:** **Pacific Market International, LLC**,
Seattle, WA (US)

(**) **Term:** **14 Years**

(21) **Appl. No.:** **29/361,858**

(22) **Filed:** **May 17, 2010**

(51) **LOC (9) Cl.** **07-01**

(52) **U.S. Cl.** **D7/392.1; D7/396.2; D7/900;**
D9/446; D9/453

(58) **Field of Classification Search** D7/509–511,
D7/523, 532, 531, 900, 392.1, 391, 397, 392,
D7/396.2; 220/713–717; D9/454, 446, 453
See application file for complete search history.

(56) **References Cited**

U.S. PATENT DOCUMENTS

D221,886 S *	9/1971	Gruett	D15/150
D339,503 S *	9/1993	Callaway	D7/510
D351,313 S *	10/1994	Giard, Jr.	D7/510
D364,810 S *	12/1995	Meisner	D9/446
D391,448 S *	3/1998	Winer et al.	D7/510
D403,555 S *	1/1999	Burns et al.	D7/509
D412,640 S *	8/1999	Much	D7/392
D413,485 S *	9/1999	Much	D7/392.1
D418,757 S *	1/2000	Reidenbach	D9/453
D451,393 S *	12/2001	Gerhart et al.	D9/453
D512,874 S *	12/2005	Poulson et al.	D7/510
D528,862 S *	9/2006	Li	D7/510

D536,929 S *	2/2007	Kingsley	D7/510
D584,619 S *	1/2009	Lohrman et al.	D9/453
D585,392 S *	1/2009	Hood et al.	D13/178
D590,353 S *	4/2009	Hood et al.	D13/178
D611,765 S *	3/2010	George	D7/510
D632,958 S *	2/2011	Fuchs	D9/453
D633,745 S *	3/2011	Ross	D7/300.1
D634,160 S *	3/2011	Cetera	D7/510
D637,906 S *	5/2011	Rigling et al.	D9/446

OTHER PUBLICATIONS

U.S. Appl. No. 29/366,834, filed Jul. 30, 2010, Gilbert.

* cited by examiner

Primary Examiner — Marianne Pandozzi

(74) *Attorney, Agent, or Firm* — Davis Wright Tremaine
LLP; George C. Rondeau, Jr.

(57) **CLAIM**

The ornamental design for a beverage container, as shown and described.

DESCRIPTION

FIG. 1 is a top rear perspective view of a beverage container showing my new design.

FIG. 2 is a right side elevational view thereof.

FIG. 3 is a left side elevational view thereof.

FIG. 4 is a rear elevational view thereof.

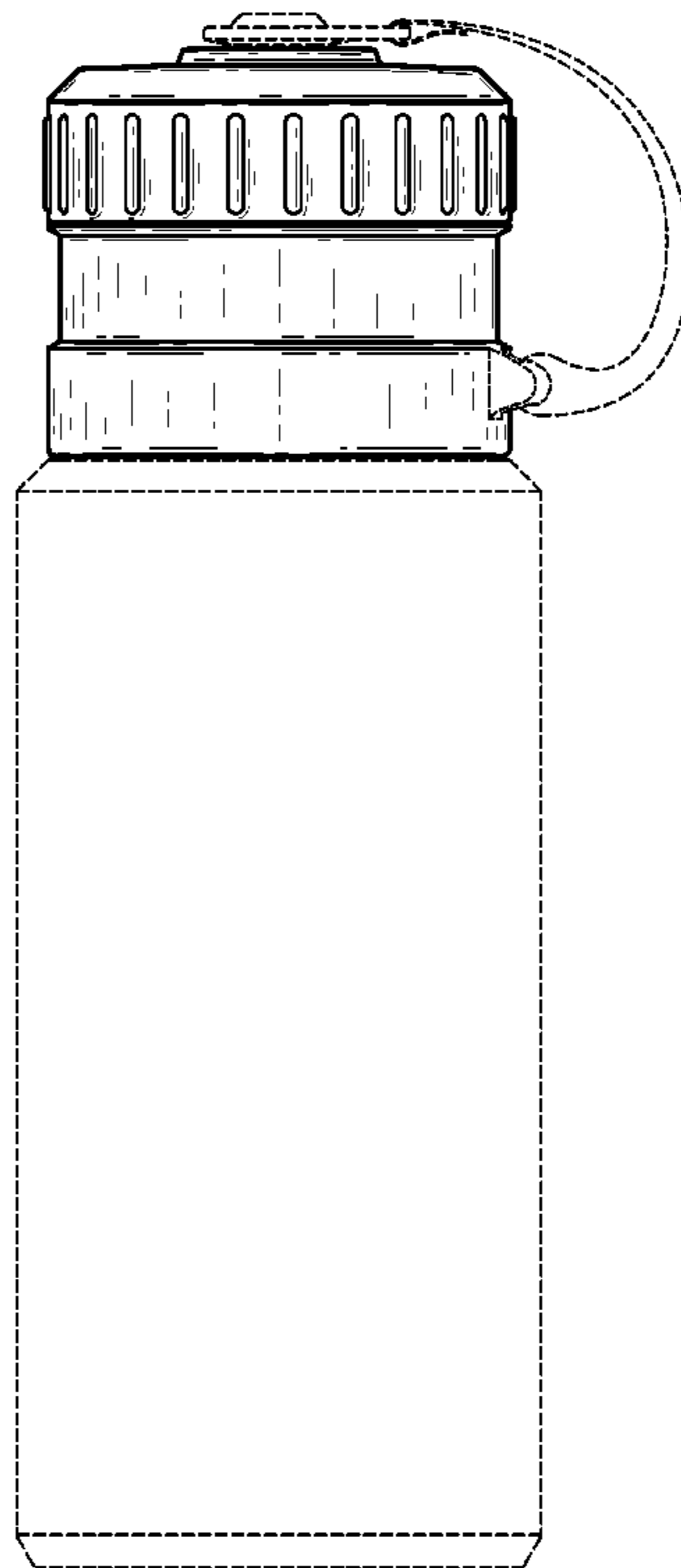
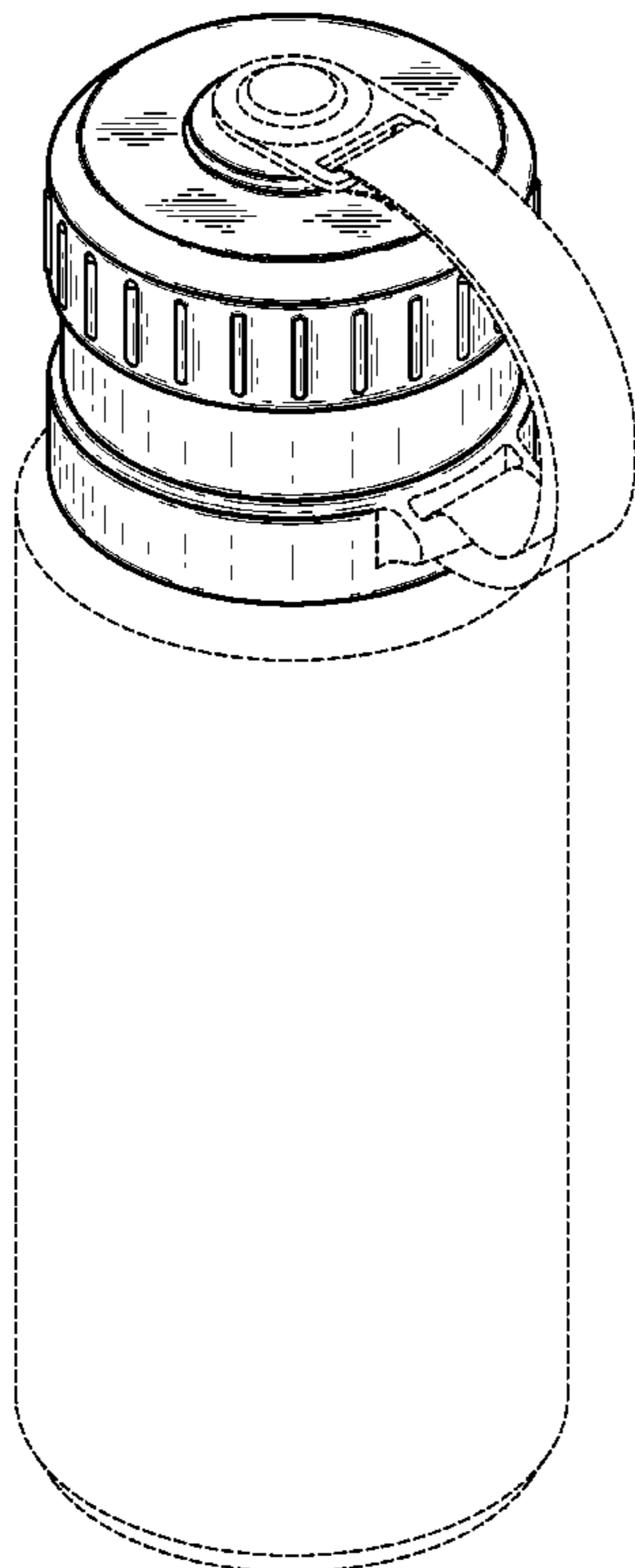
FIG. 5 is a front elevational view thereof.

FIG. 6 is a top plan view thereof; and,

FIG. 7 is a bottom plan view thereof.

The broken lines represent portions of the beverage container that form no part of the claim.

1 Claim, 6 Drawing Sheets



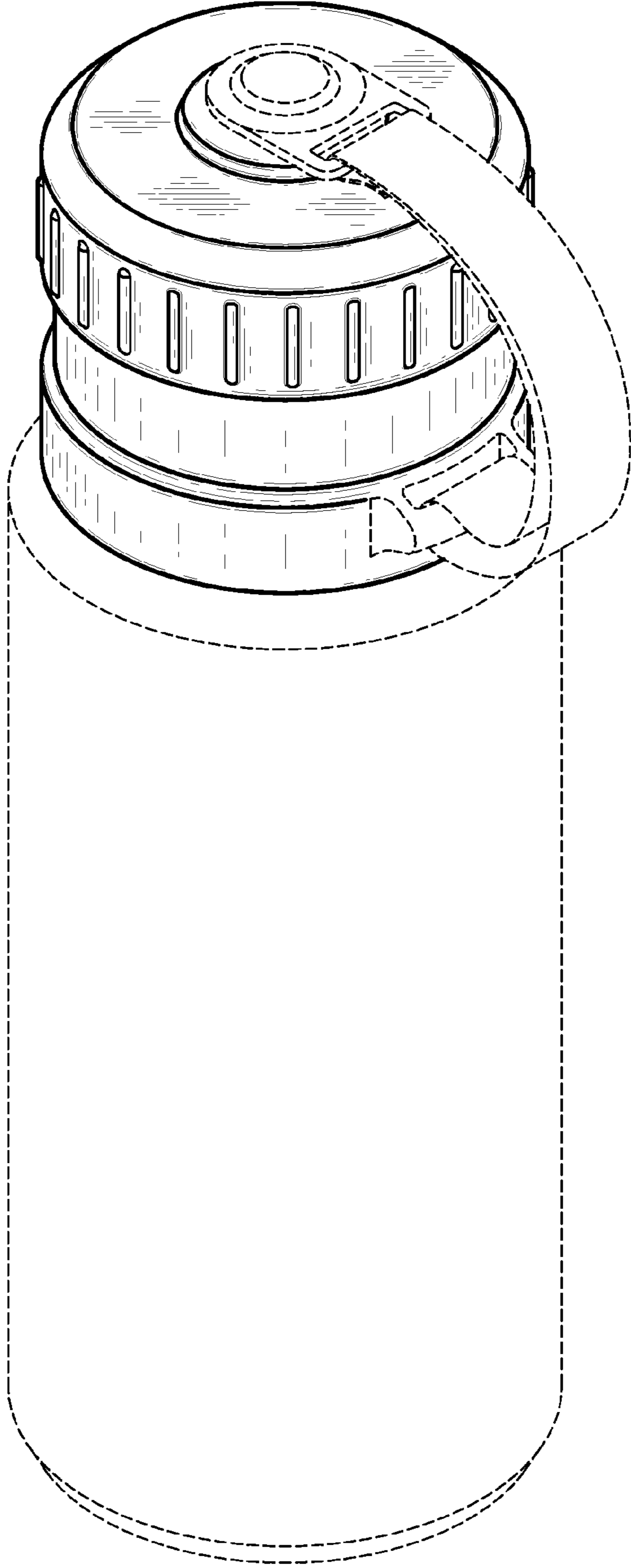


Fig. 1

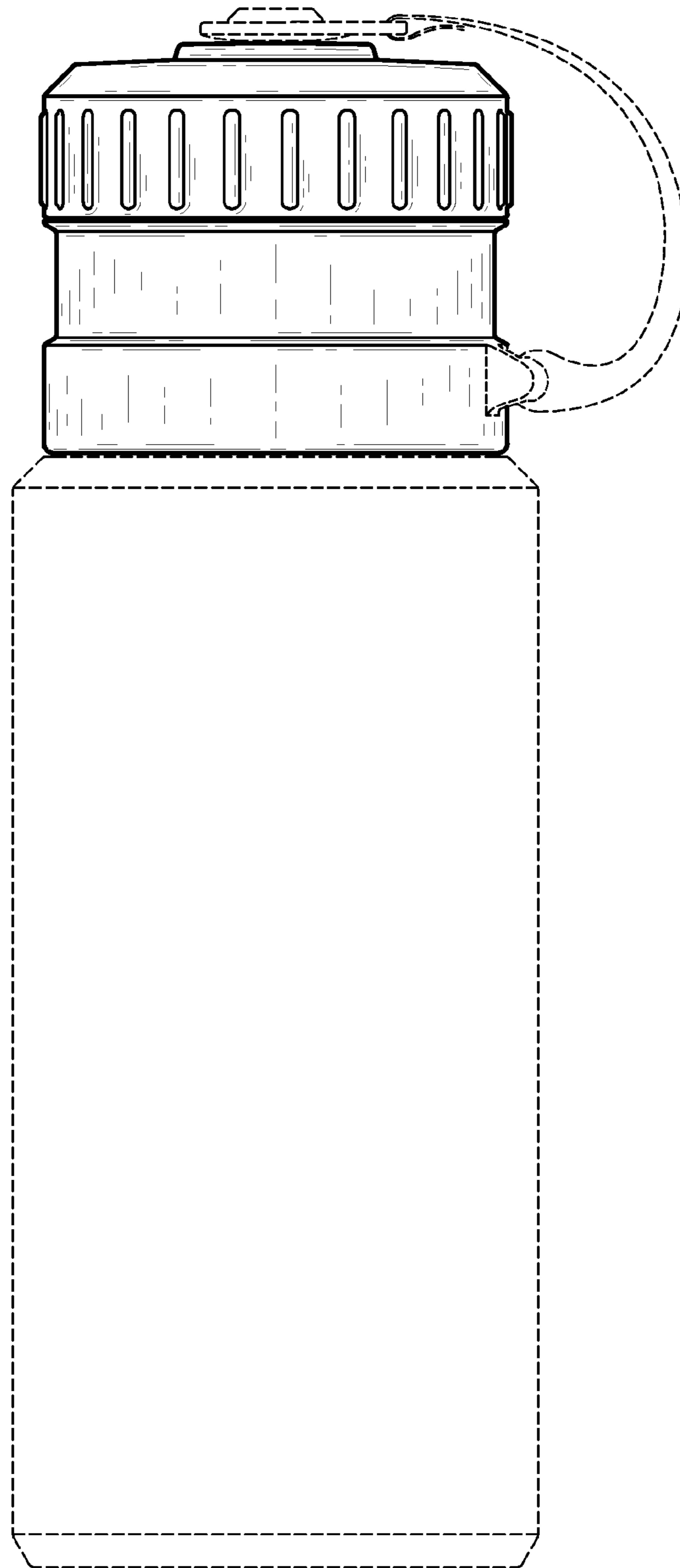


Fig. 2

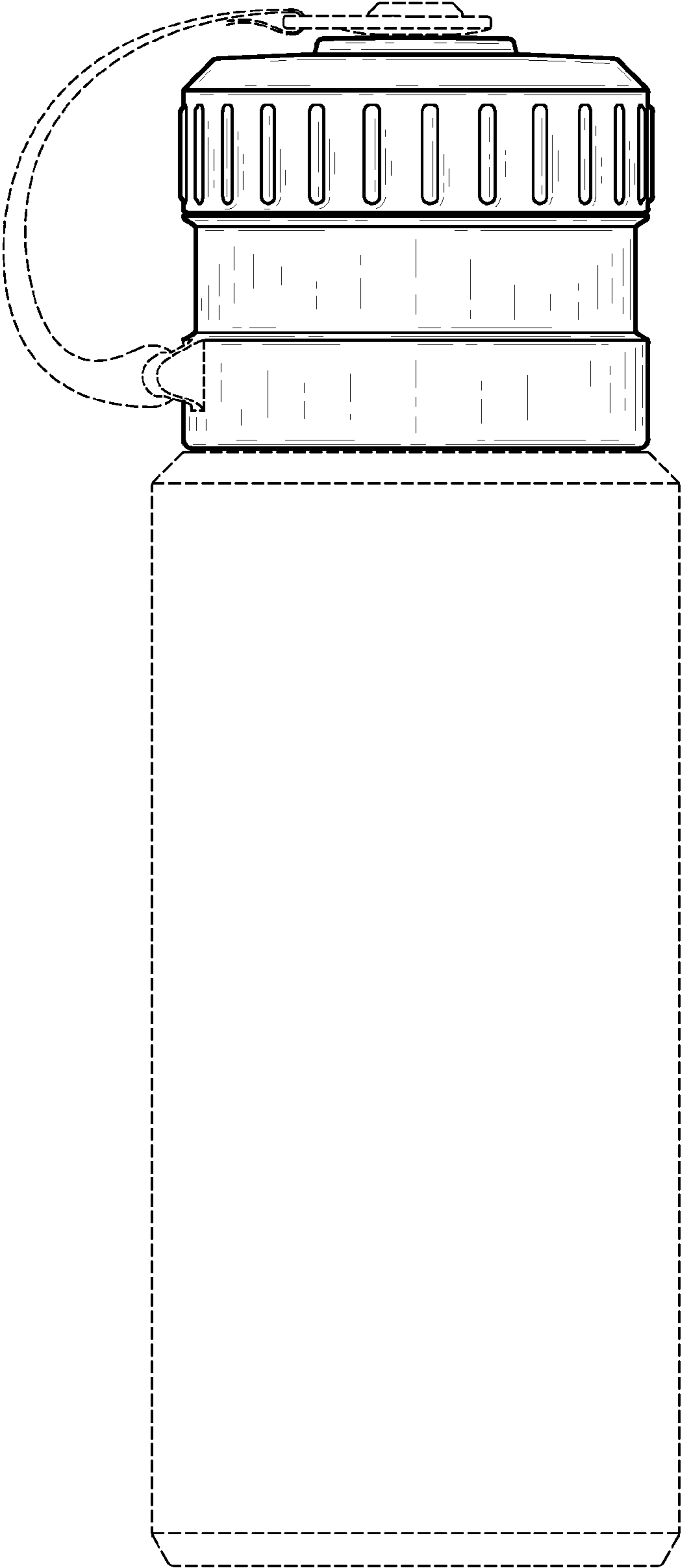


Fig. 3

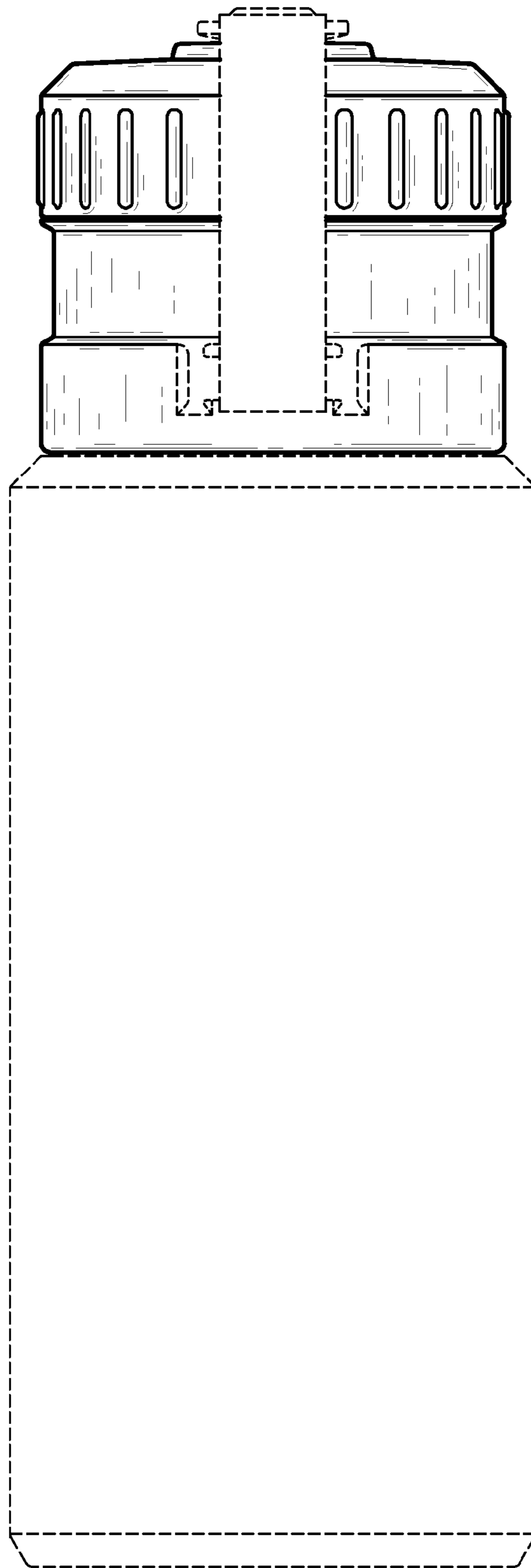


Fig. 4

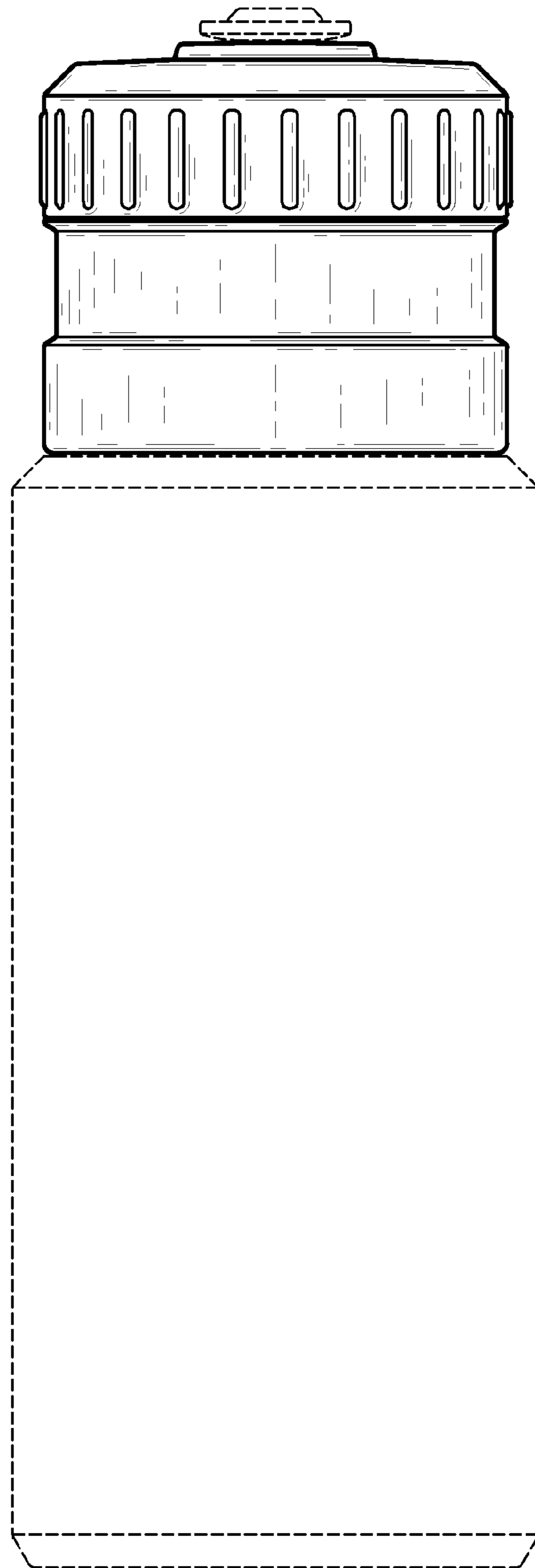


Fig. 5

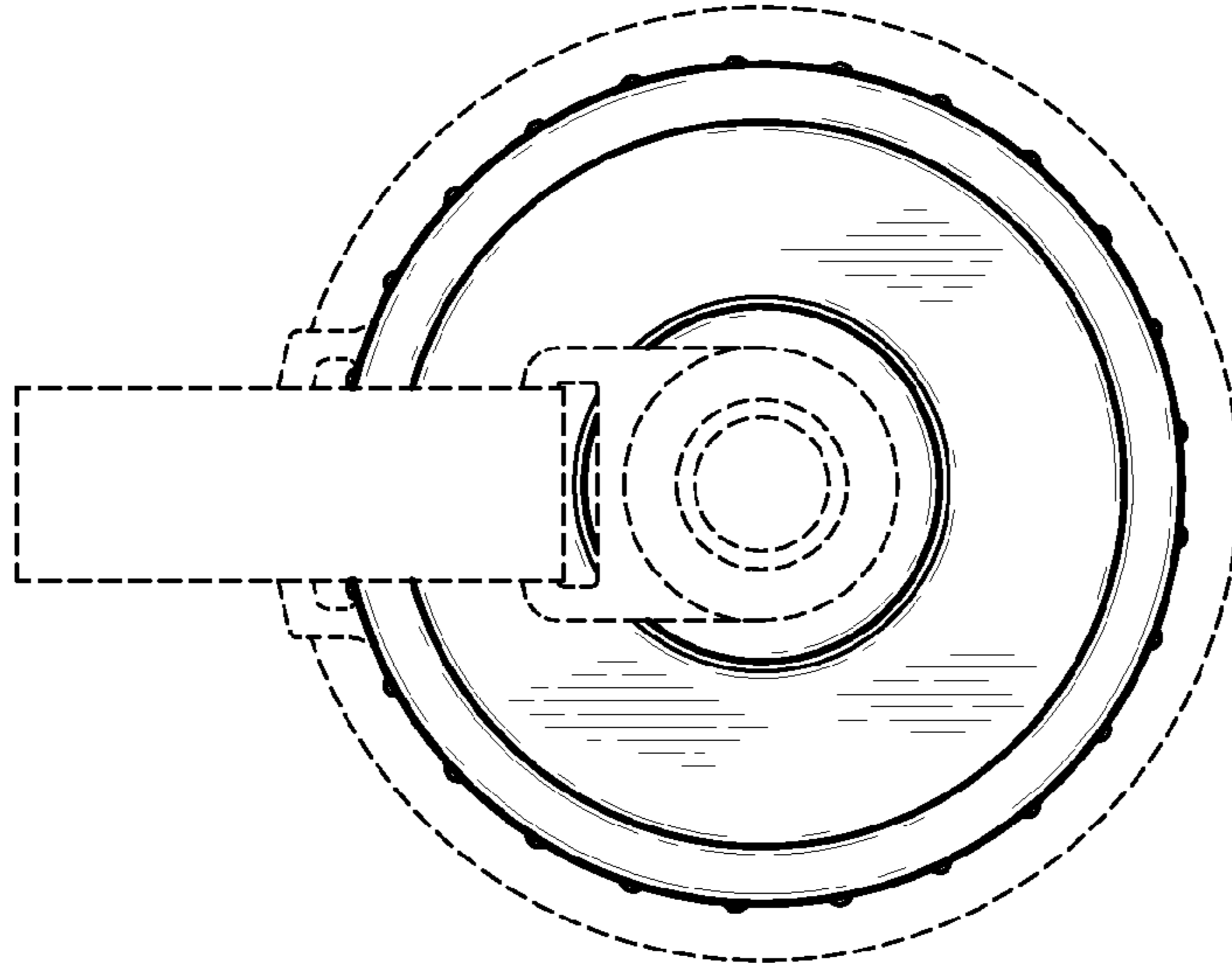


Fig. 6

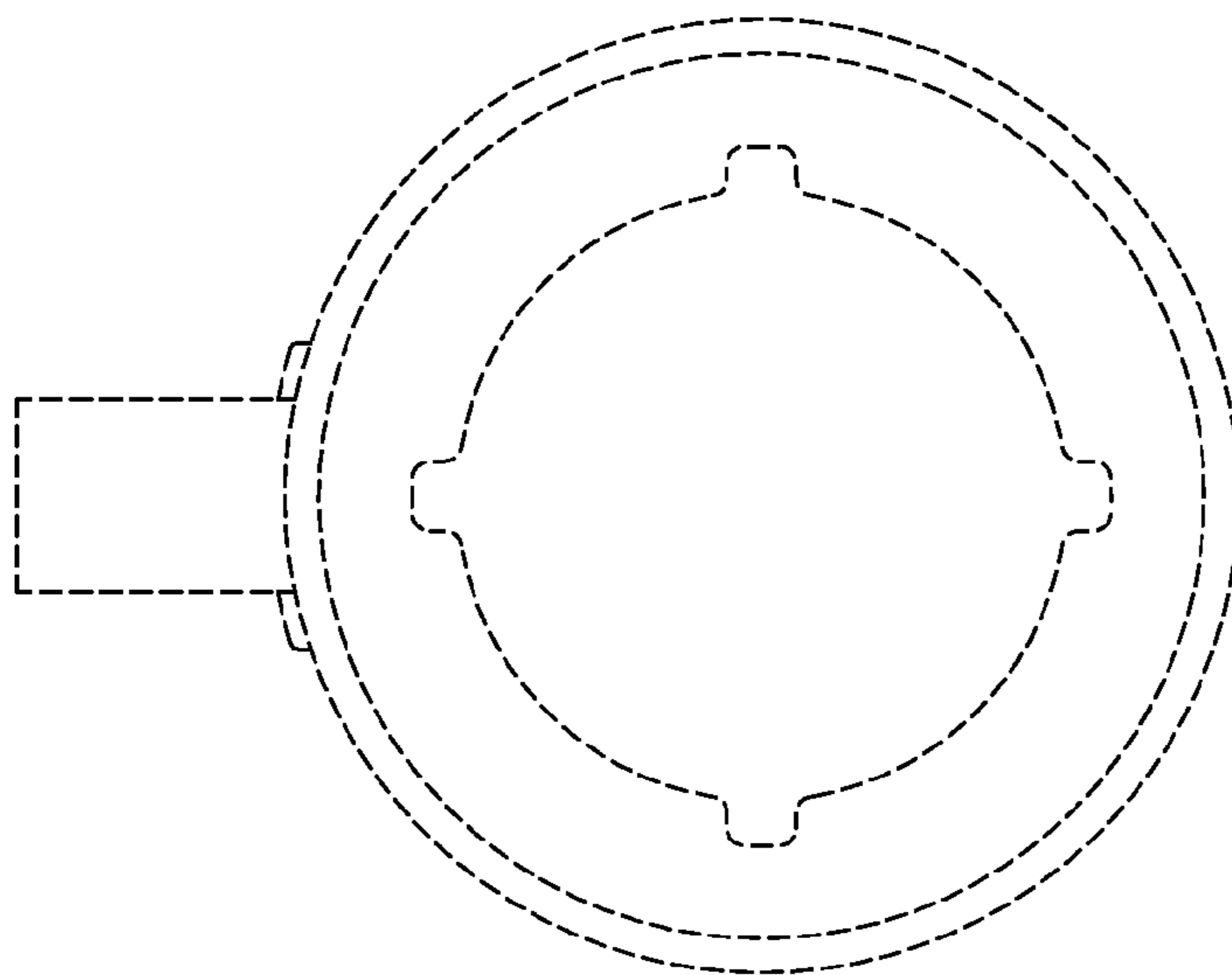


Fig. 7