



US00D650627S

(12) **United States Design Patent**
Kauer

(10) **Patent No.:** **US D650,627 S**

(45) **Date of Patent:** **** Dec. 20, 2011**

(54) **SCOREBOARD POPCORN MACHINE**

(76) Inventor: **Frank Kauer**, Kwuntong (HK)

(**) Term: **14 Years**

(21) Appl. No.: **29/353,230**

(22) Filed: **Jan. 5, 2010**

(51) **LOC (9) Cl.** **31-00**

(52) **U.S. Cl.** **D7/325**

(58) **Field of Classification Search** D7/323-331,
D7/339, 346-347, 350.1-350.4, 353-367,
D7/391, 393, 395, 402, 406, 538, 542, 665;
D21/325, 811; 99/323.5-323.9, 324-325,
99/331-332, 337-340, 369, 400-418, 422,
99/425, 444, 483; 126/37 R, 261, 374.1,
126/378.1; 206/501-505, 507-508; 219/400,
219/405, 429-442, 620-624, 725, 730-735;
220/203.05, 203.07, 203.09, 298, 315-316,
220/573.1-573.5, 912; 273/447, 457

See application file for complete search history.

(56) **References Cited**

U.S. PATENT DOCUMENTS

D177,456 S	4/1956	Altemiller	
4,177,986 A *	12/1979	Campbell	273/447
4,491,220 A	1/1985	Daviss	
D279,069 S *	6/1985	Goodlaxson	D7/325
5,282,636 A *	2/1994	Wyman et al.	273/457
D385,584 S *	10/1997	Chaffee et al.	D21/325
D386,231 S *	11/1997	Wei	D21/811
D388,466 S	12/1997	Yurchak	
D389,891 S *	1/1998	Kawasaki	D21/811
D421,284 S *	2/2000	Huang	D21/811
D447,195 S	8/2001	Wiedner et al.	
D466,177 S *	11/2002	Carter et al.	D21/811
D551,016 S *	9/2007	Bond	D7/325
D552,405 S *	10/2007	Bond	D7/325
D628,847 S *	12/2010	Liu	D7/325
D632,123 S *	2/2011	Kauer	D7/325
D633,748 S *	3/2011	Haskin	D7/325

* cited by examiner

Primary Examiner — Ricky Pham

(74) *Attorney, Agent, or Firm* — Henry B. Ward, III;
Moore & Van Allen, PLLC

(57) **CLAIM**

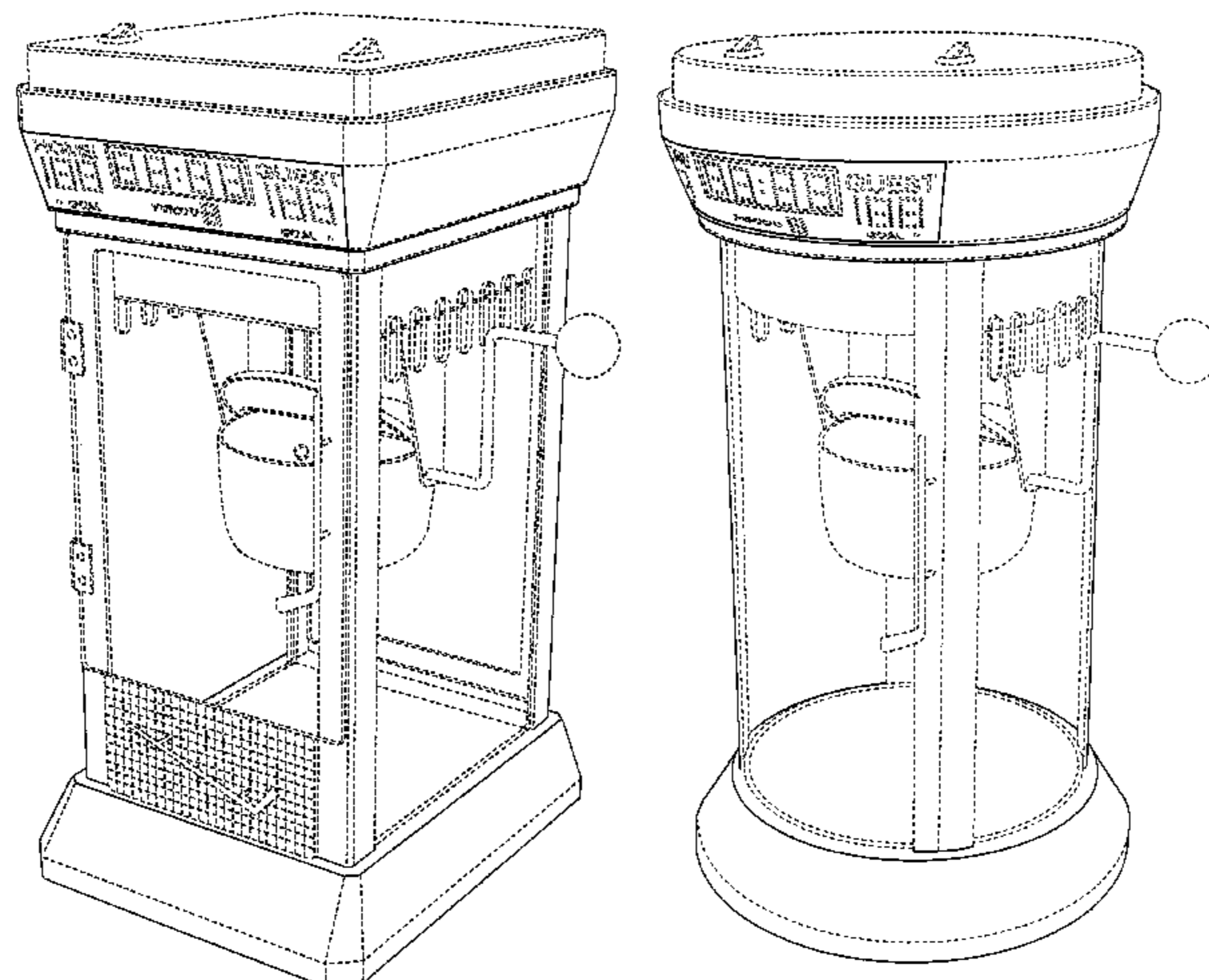
The ornamental design for a scoreboard popcorn machine, as shown and described.

DESCRIPTION

FIG. 1 is a front, top and right-side-perspective view of a first embodiment of a scoreboard popcorn machine;
 FIG. 2 is a front-elevational view thereof;
 FIG. 3 is a rear-elevational view thereof;
 FIG. 4 is a right side-elevational view thereof;
 FIG. 5 is a left-side-elevational view thereof;
 FIG. 6 is a top-plan view thereof;
 FIG. 7 is a bottom-plan view thereof;
 FIG. 8 is a front, top and right-side-perspective view of a second embodiment of a scoreboard popcorn machine;
 FIG. 9 is a front-elevational view thereof;
 FIG. 10 is a rear-elevational view thereof;
 FIG. 11 is a right side-elevational view thereof;
 FIG. 12 is a left-side-elevational view thereof;
 FIG. 13 is a top-plan view thereof;
 FIG. 14 is a bottom-plan view thereof;
 FIG. 15 is a front, top and right-side-perspective view of a third embodiment of a scoreboard popcorn machine;
 FIG. 16 is a front-elevational view thereof;
 FIG. 17 is a rear-elevational view thereof;
 FIG. 18 is a right side-elevational view thereof;
 FIG. 19 is a left-side-elevational view thereof;
 FIG. 20 is a top-plan view thereof;
 FIG. 21 is a bottom-plan view thereof;
 FIG. 22 is a front, top and right-side-perspective view of a fourth embodiment of a scoreboard popcorn machine;
 FIG. 23 is a front-elevational view thereof;
 FIG. 24 is a rear-elevational view thereof;
 FIG. 25 is a right side-elevational view thereof;
 FIG. 26 is a left-side-elevational view thereof;
 FIG. 27 is a top-plan view thereof; and,
 FIG. 28 is a bottom-plan view thereof.

The broken lines shown in the drawings are shown for illustrative purposes only and form no part of the claimed design. In addition, the surface shading, if any, illustrated in the drawings is provided merely to highlight the contour of the design; it is not intended to be illustrative of texture or gloss.

1 Claim, 24 Drawing Sheets



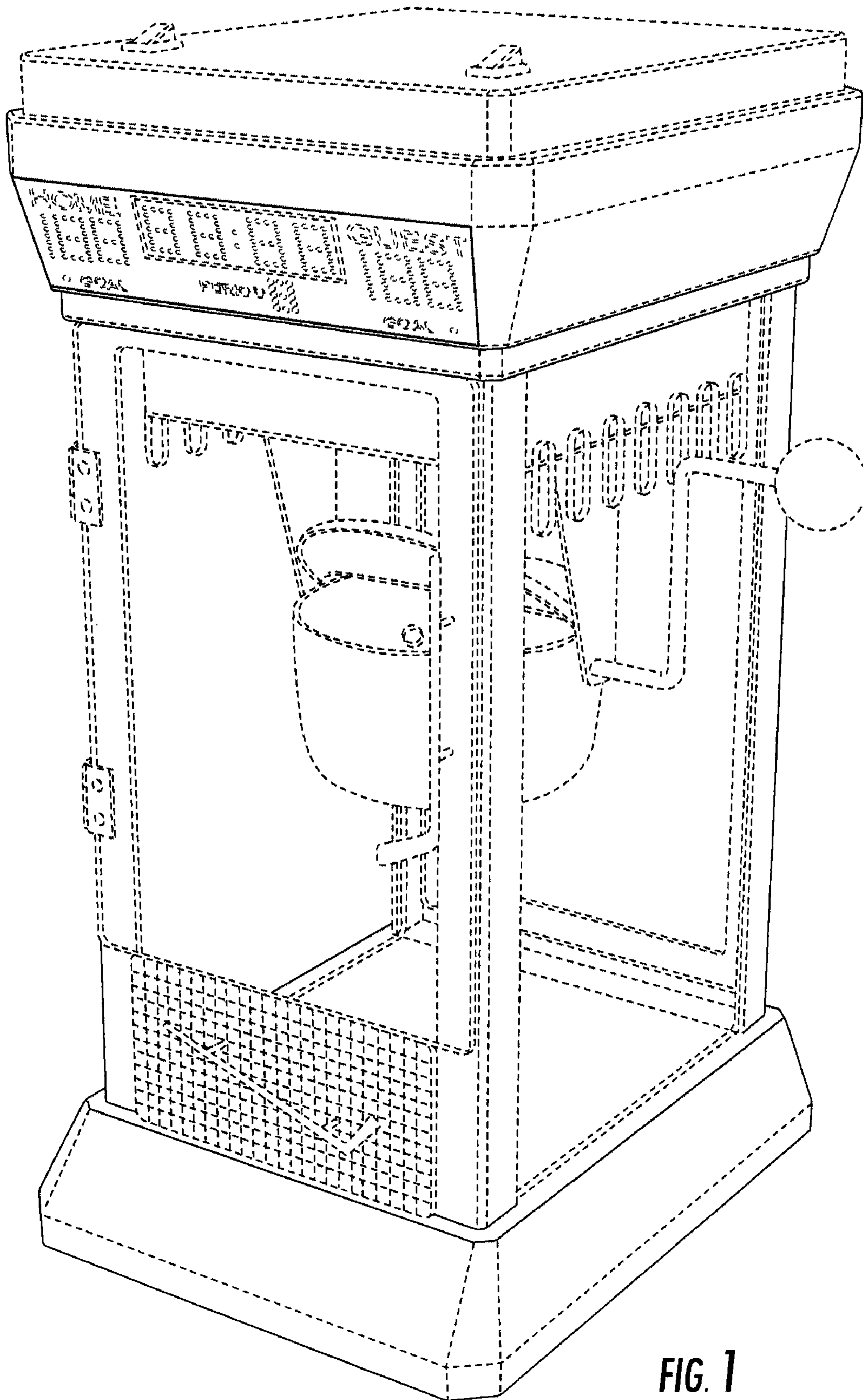


FIG. 1

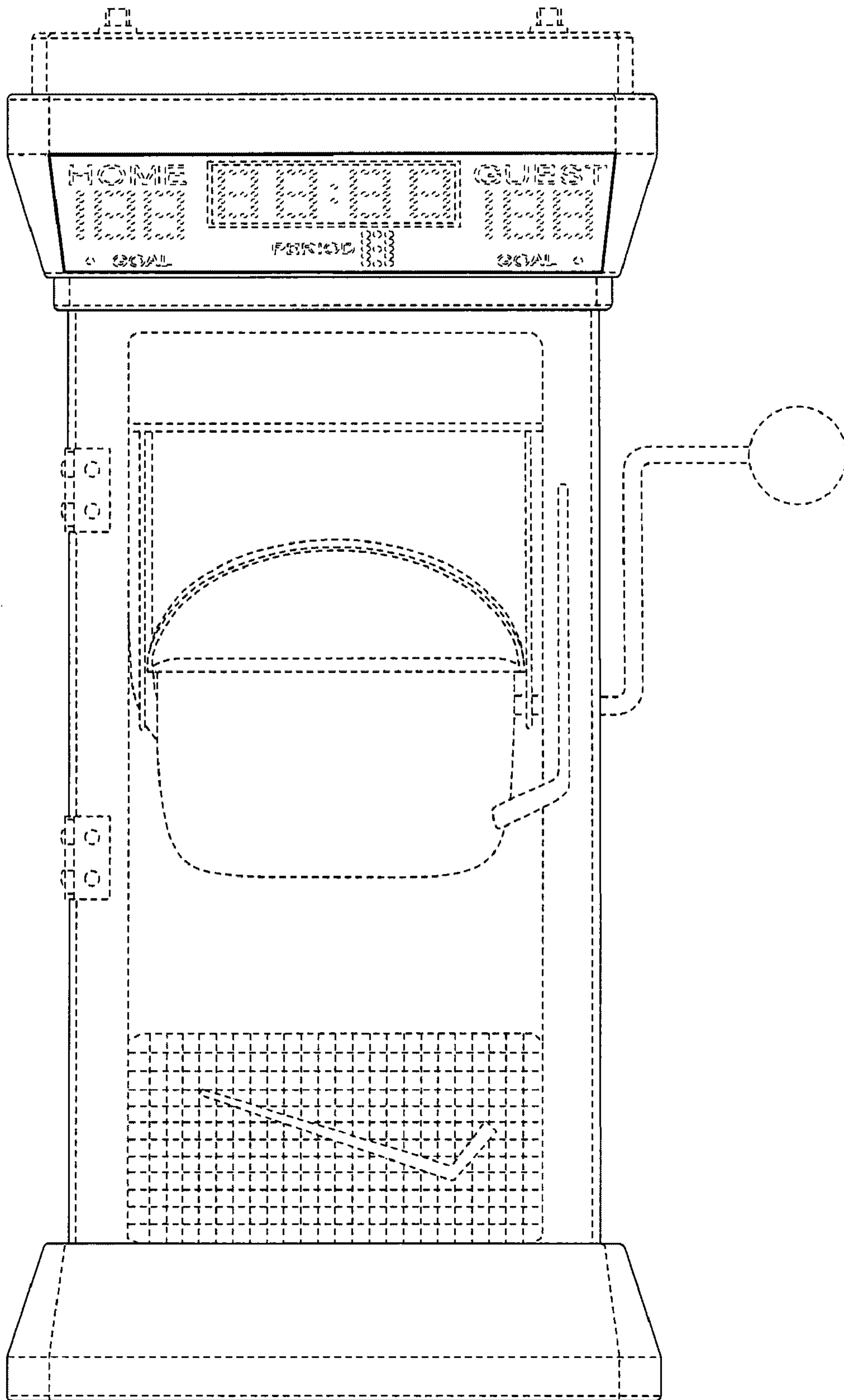


FIG. 2

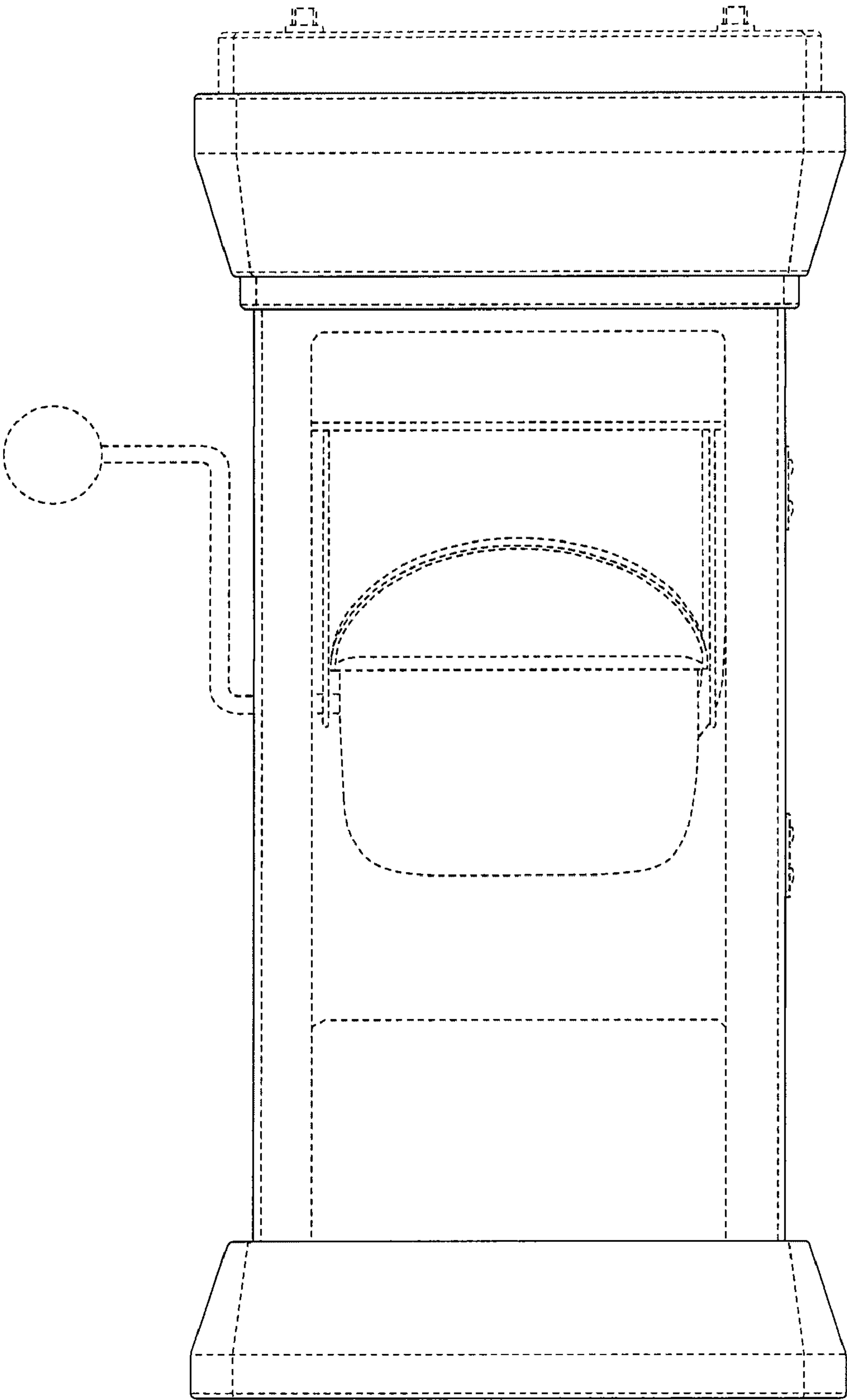


FIG. 3

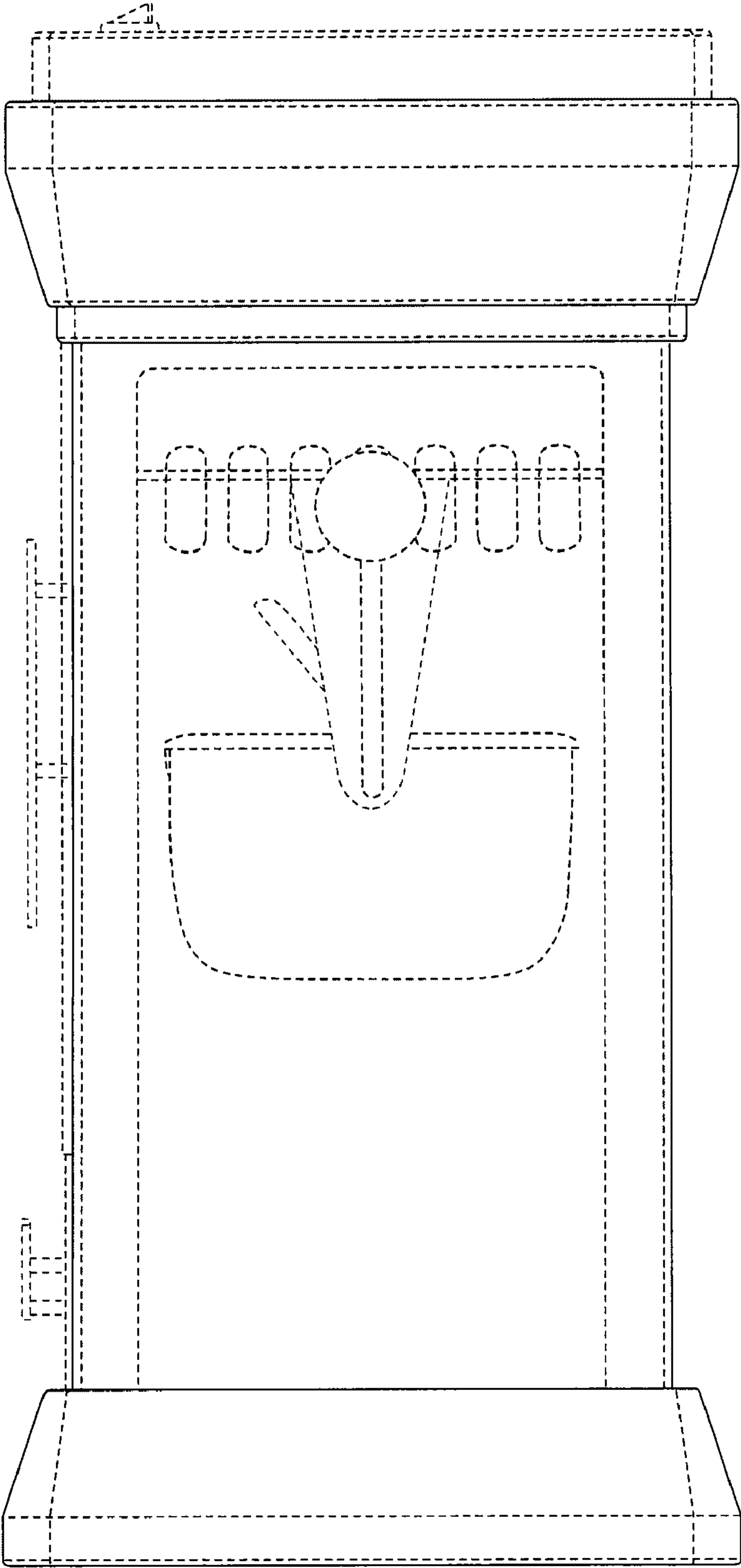


FIG. 4

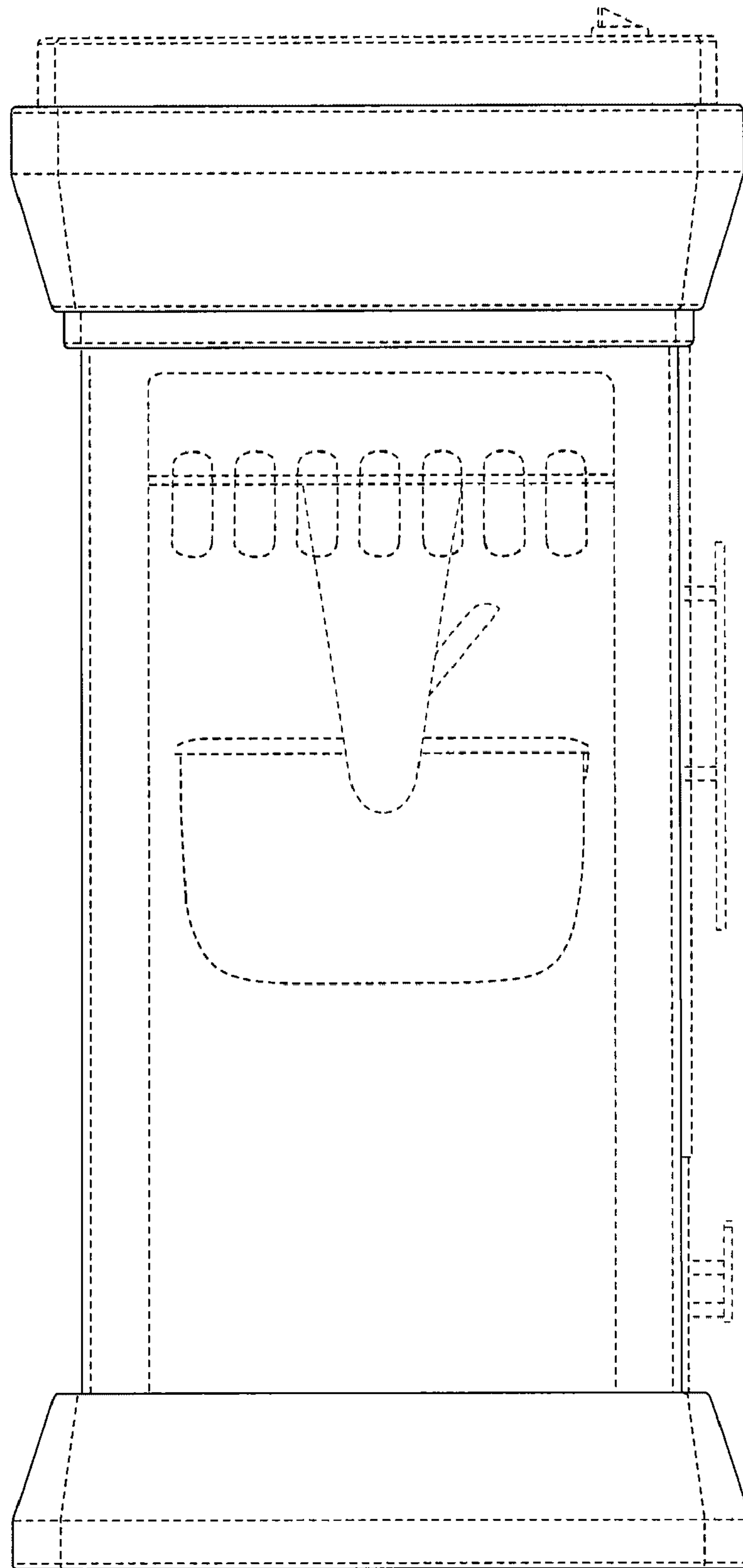


FIG. 5

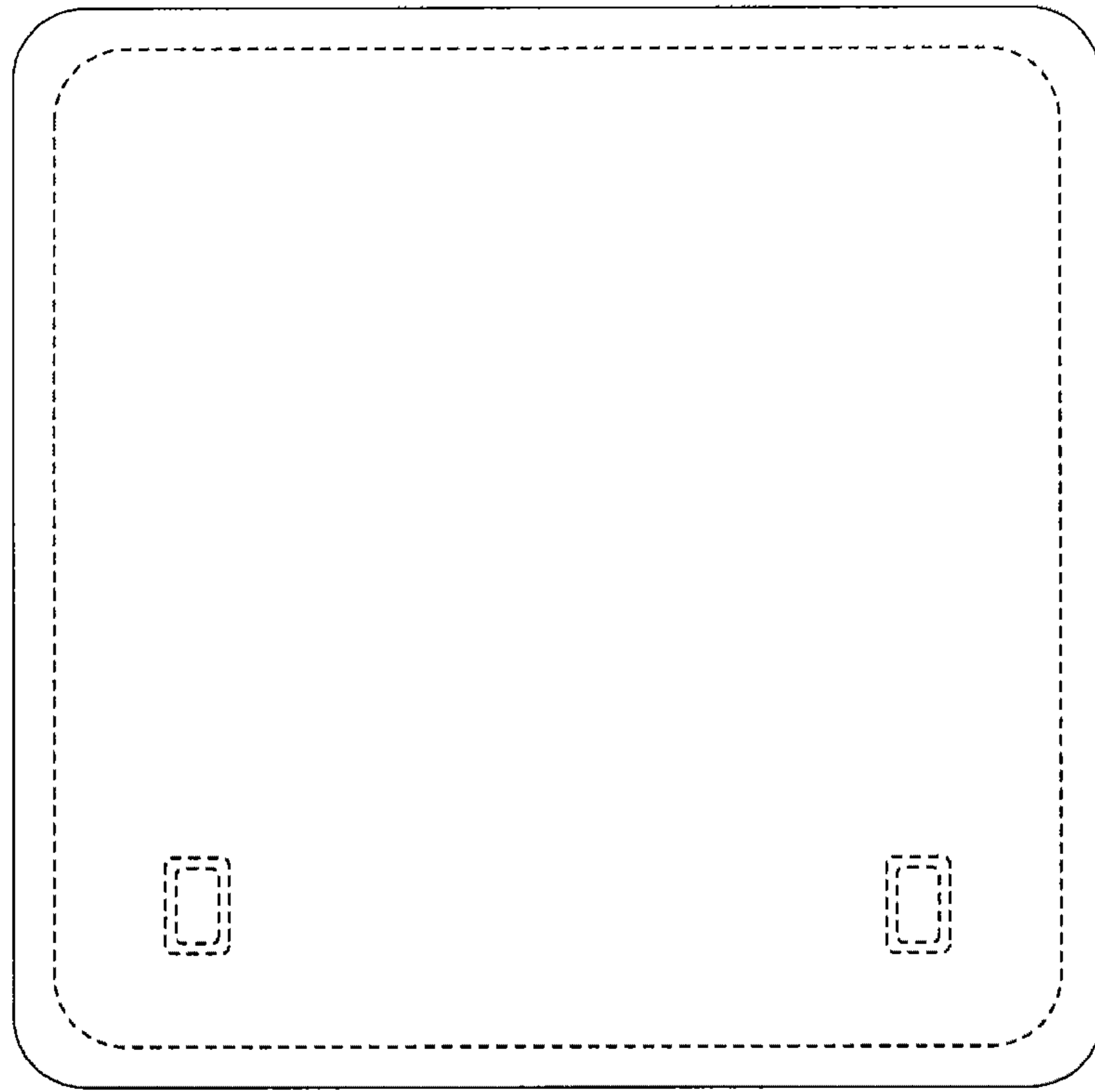


FIG. 6

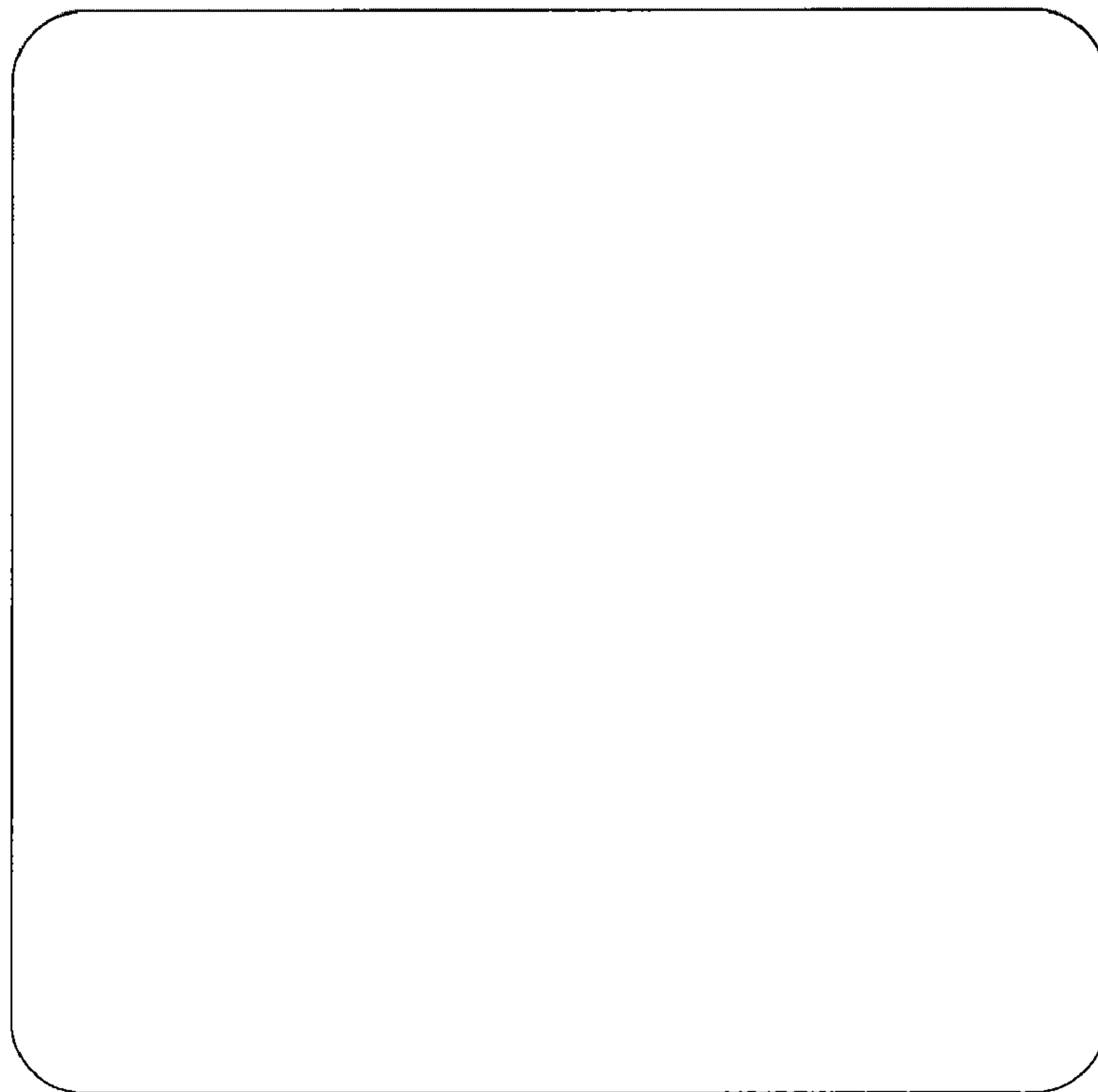


FIG. 7

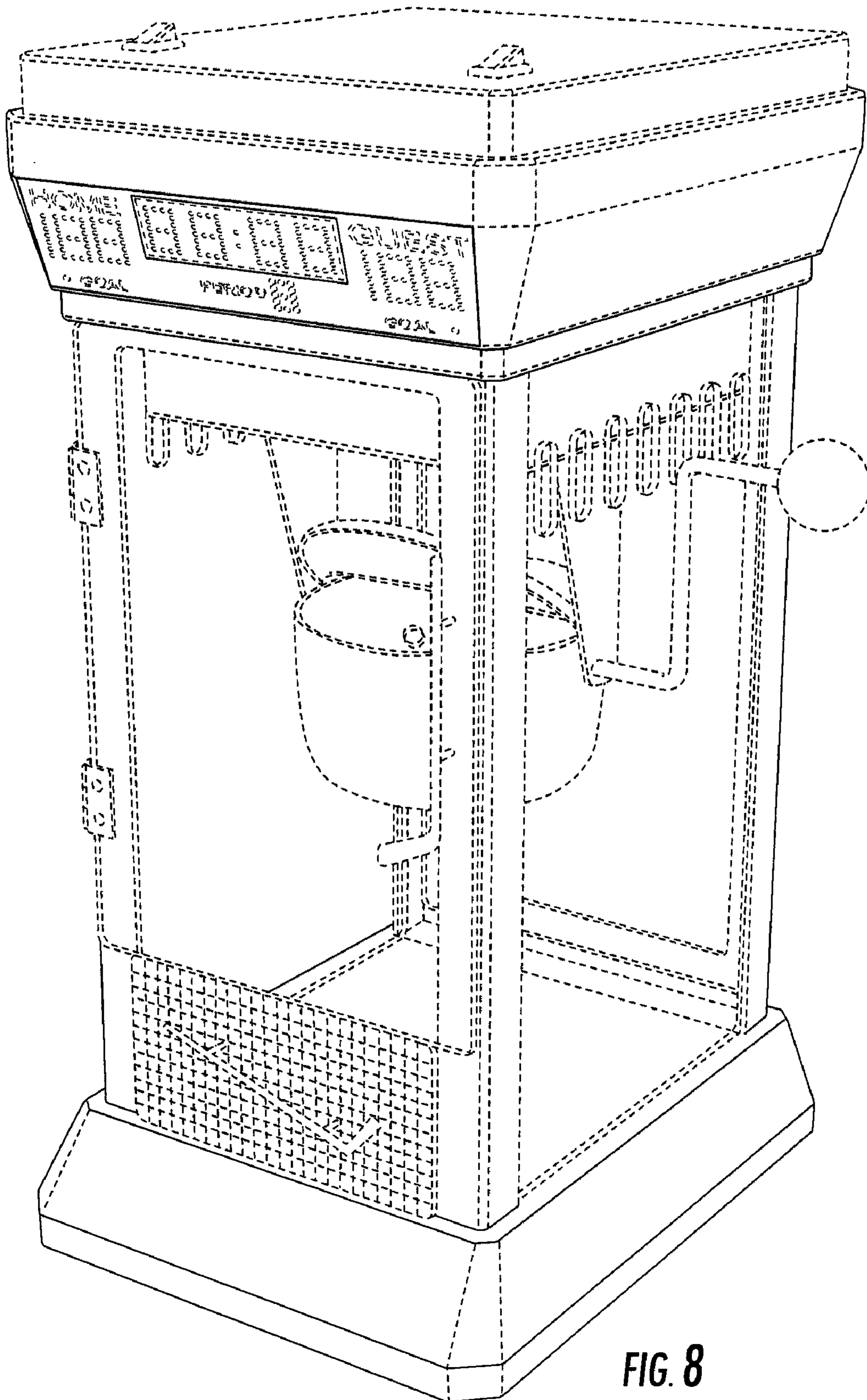


FIG. 8

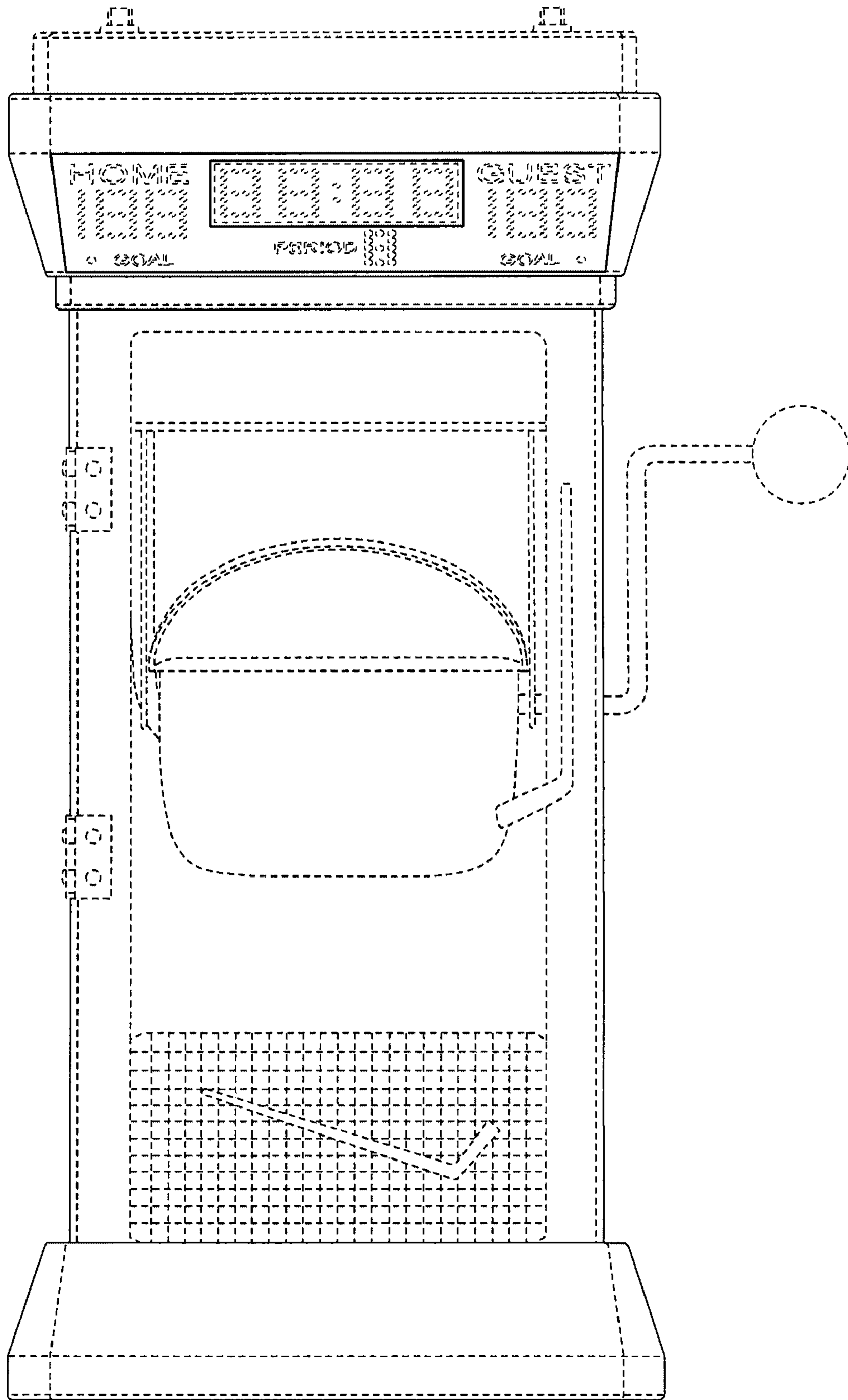


FIG. 9

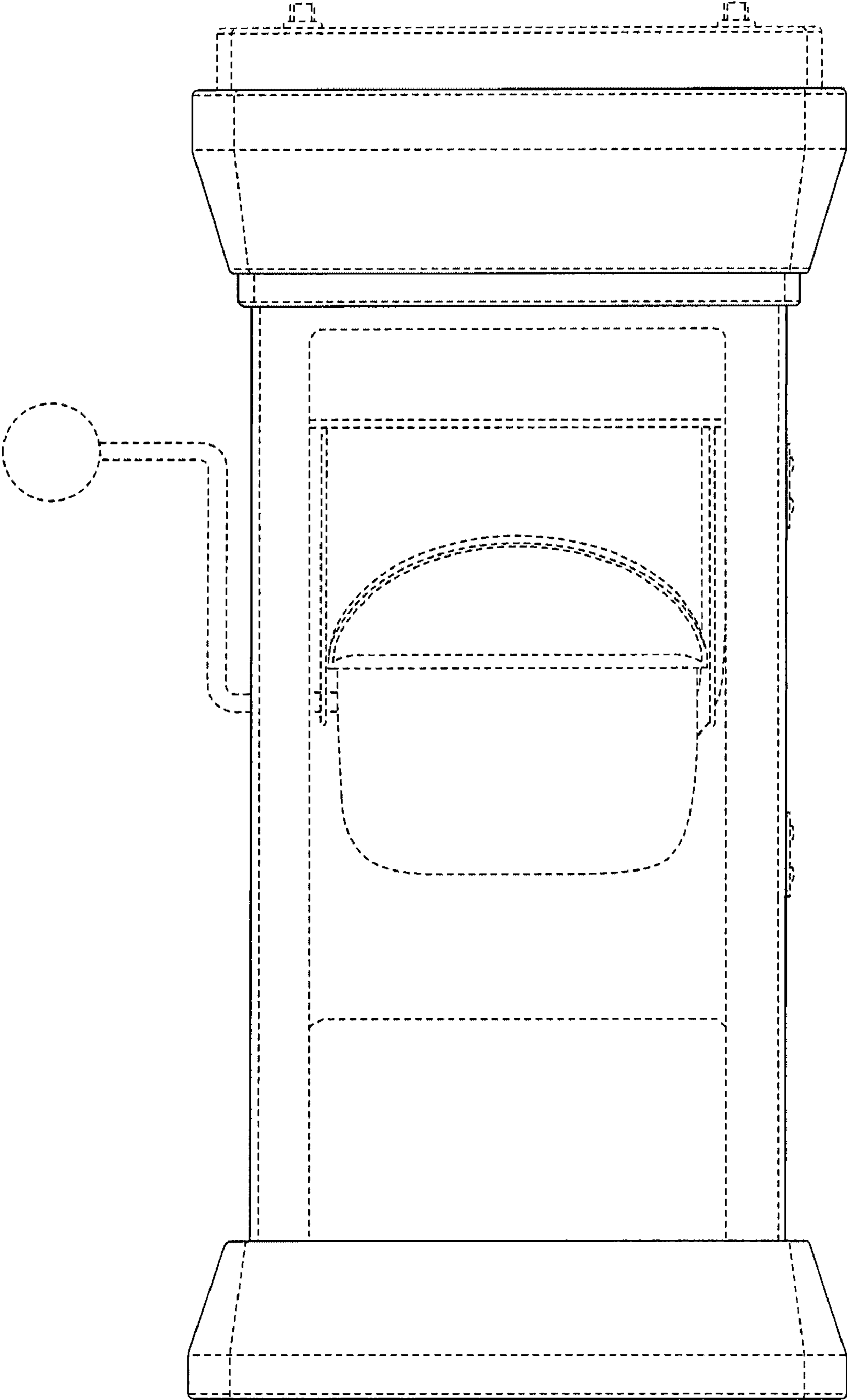


FIG. 10

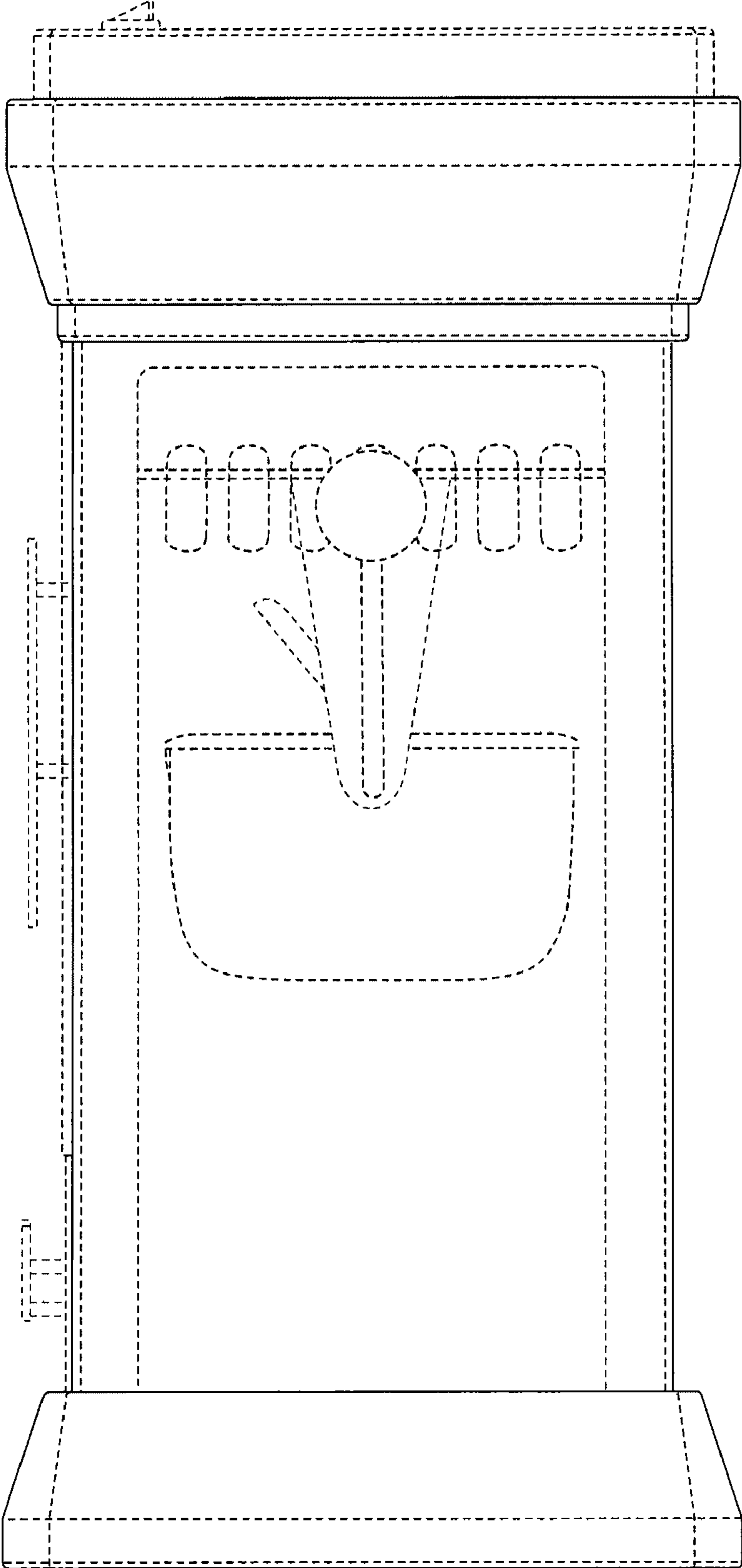


FIG. 11

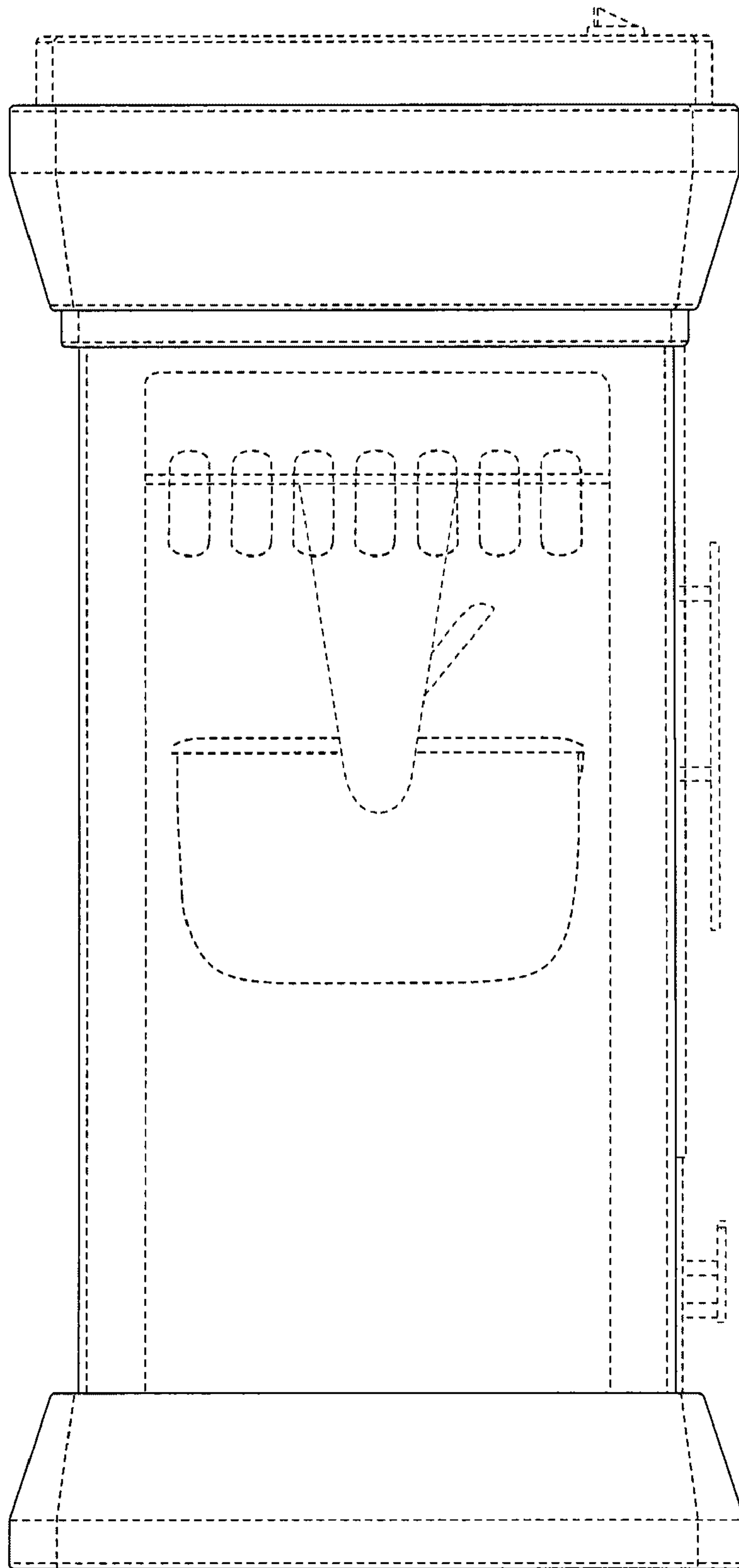


FIG. 12

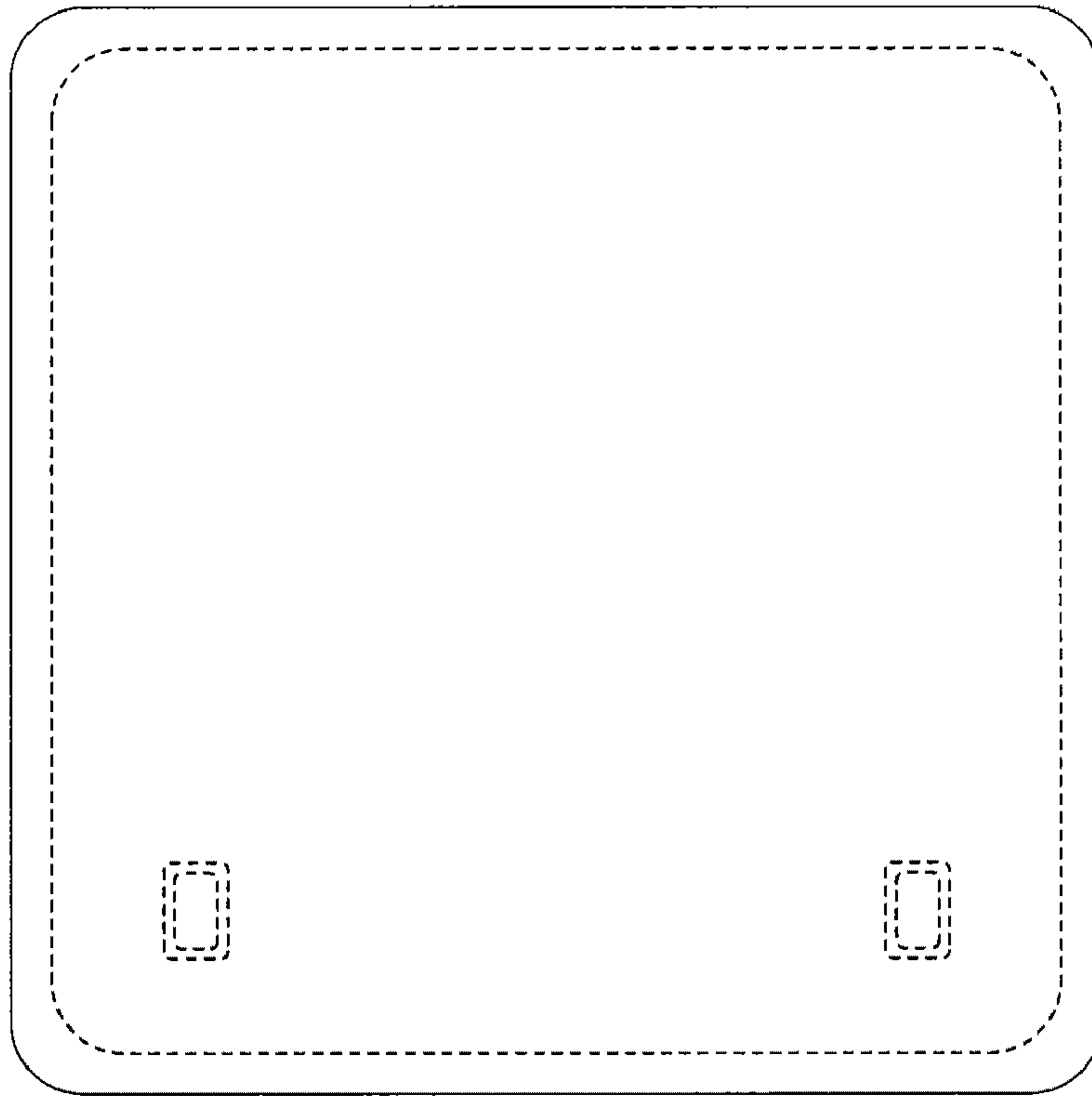


FIG. 13

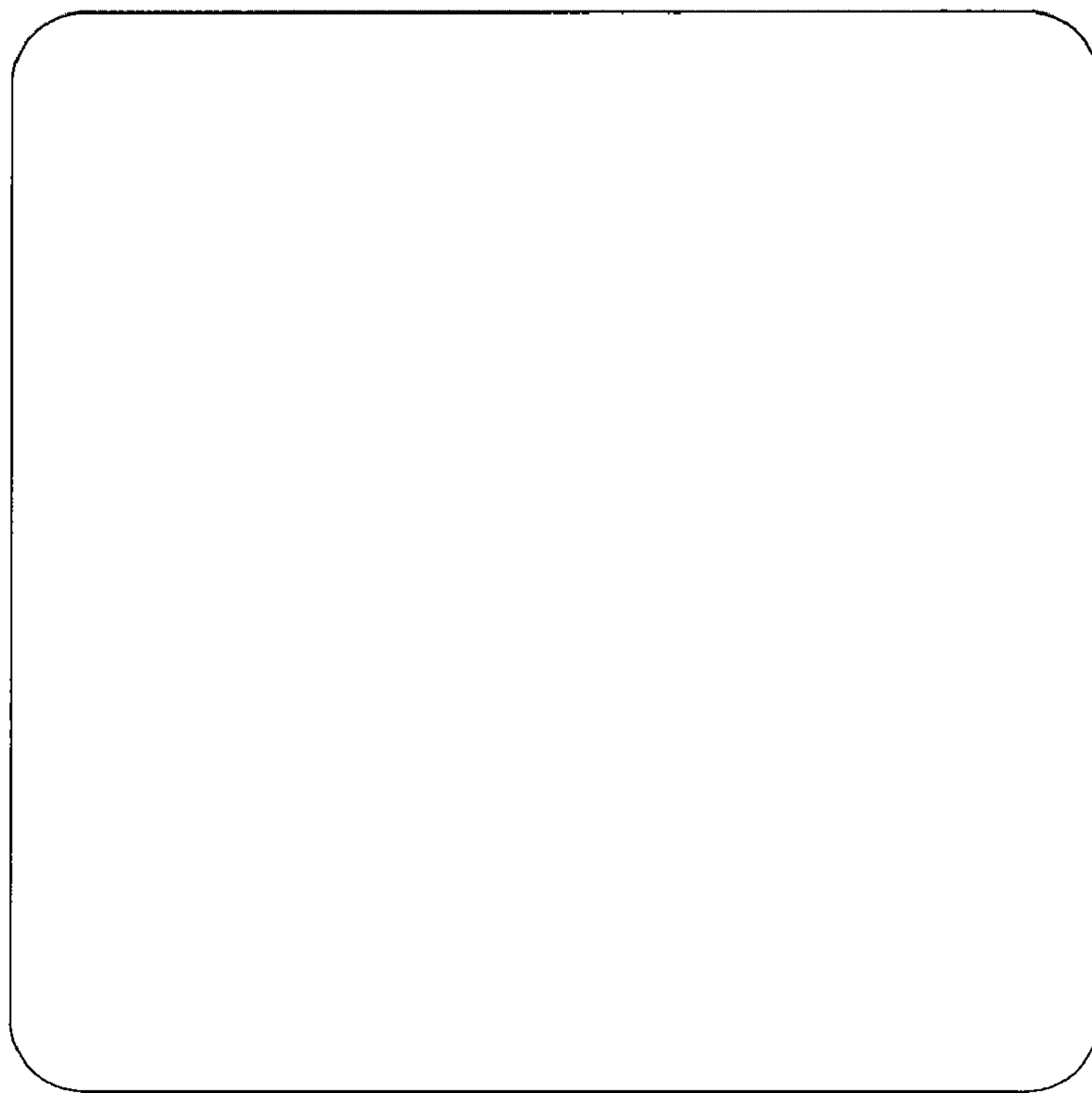


FIG. 14

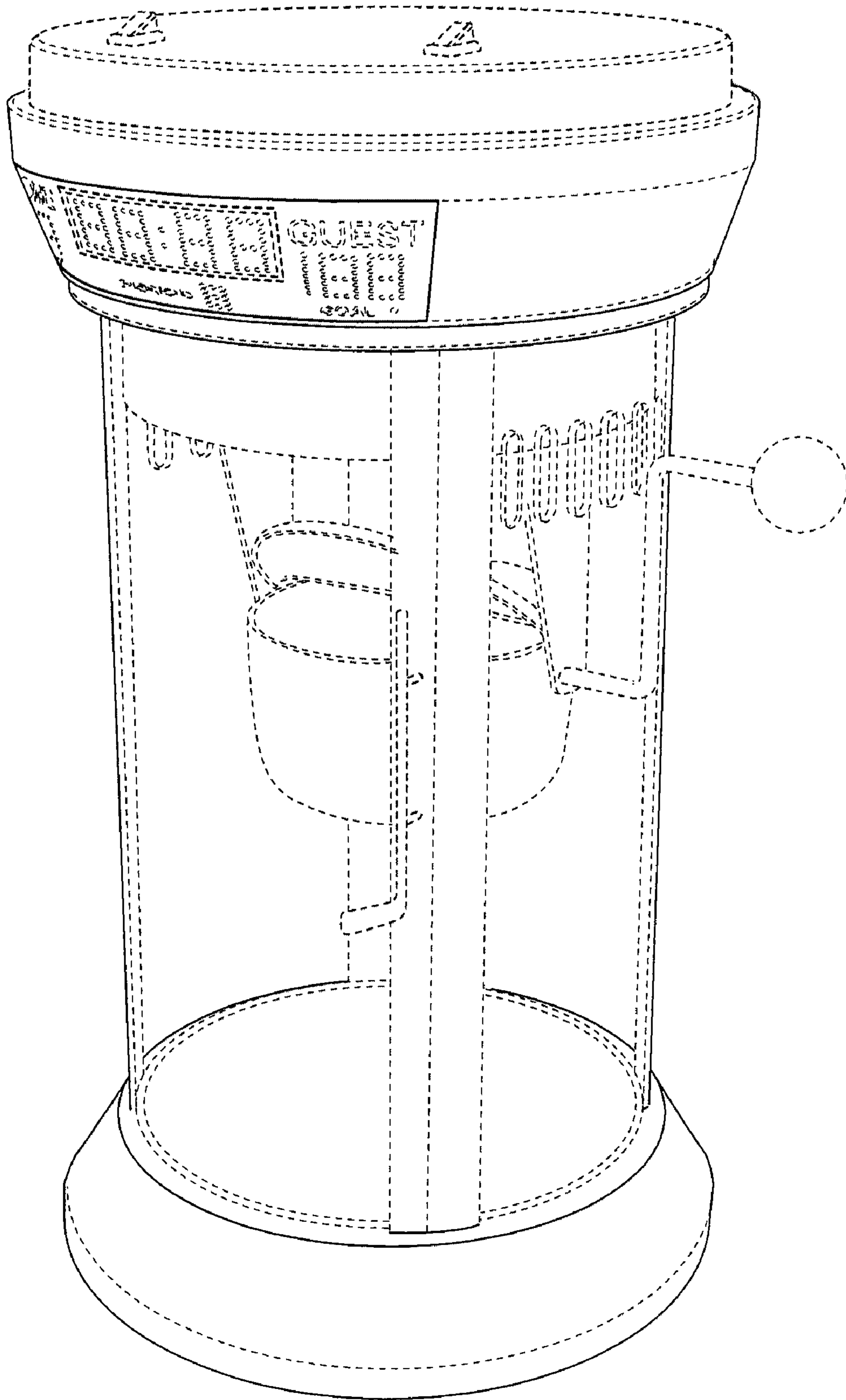


FIG. 15

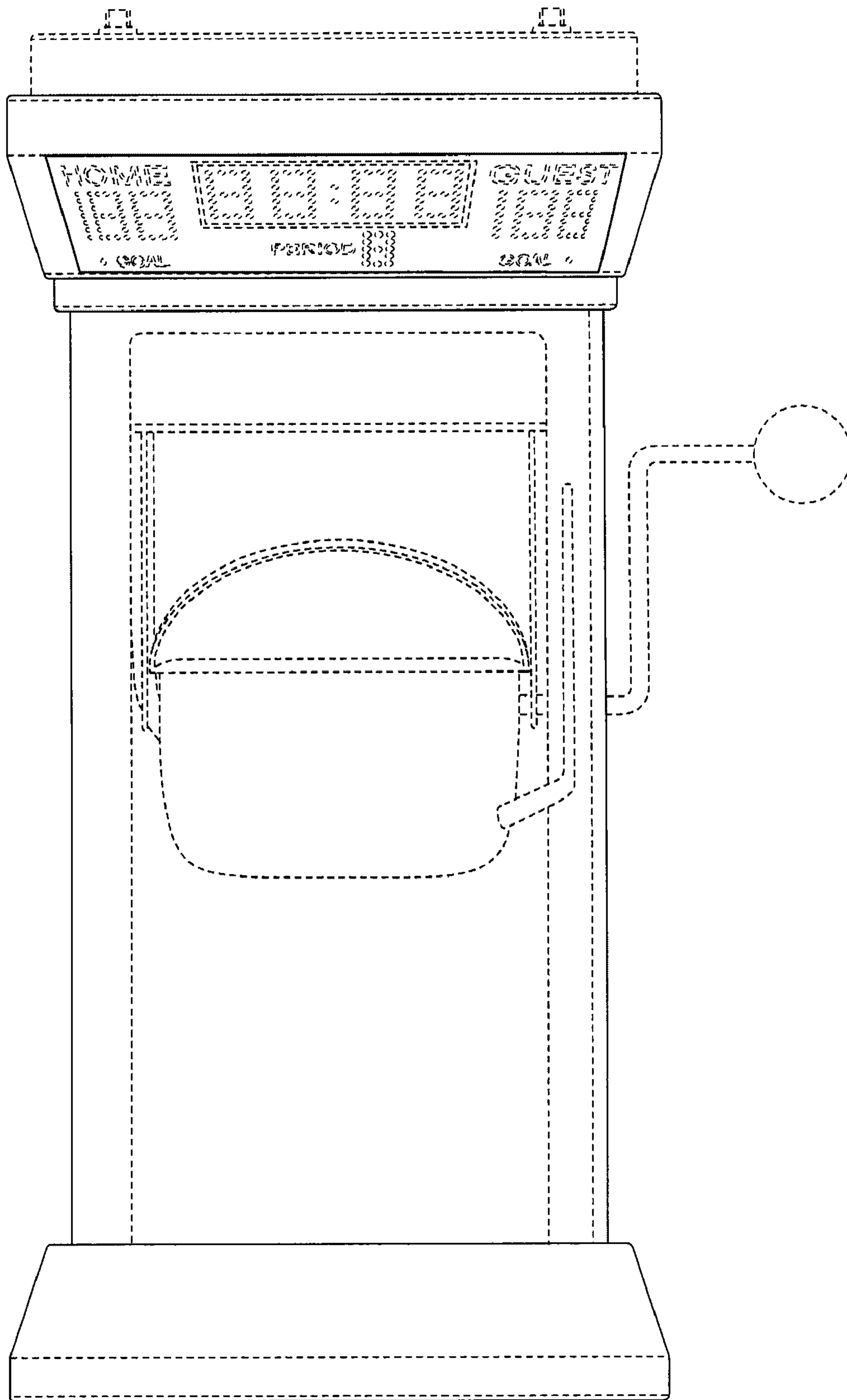


FIG. 16

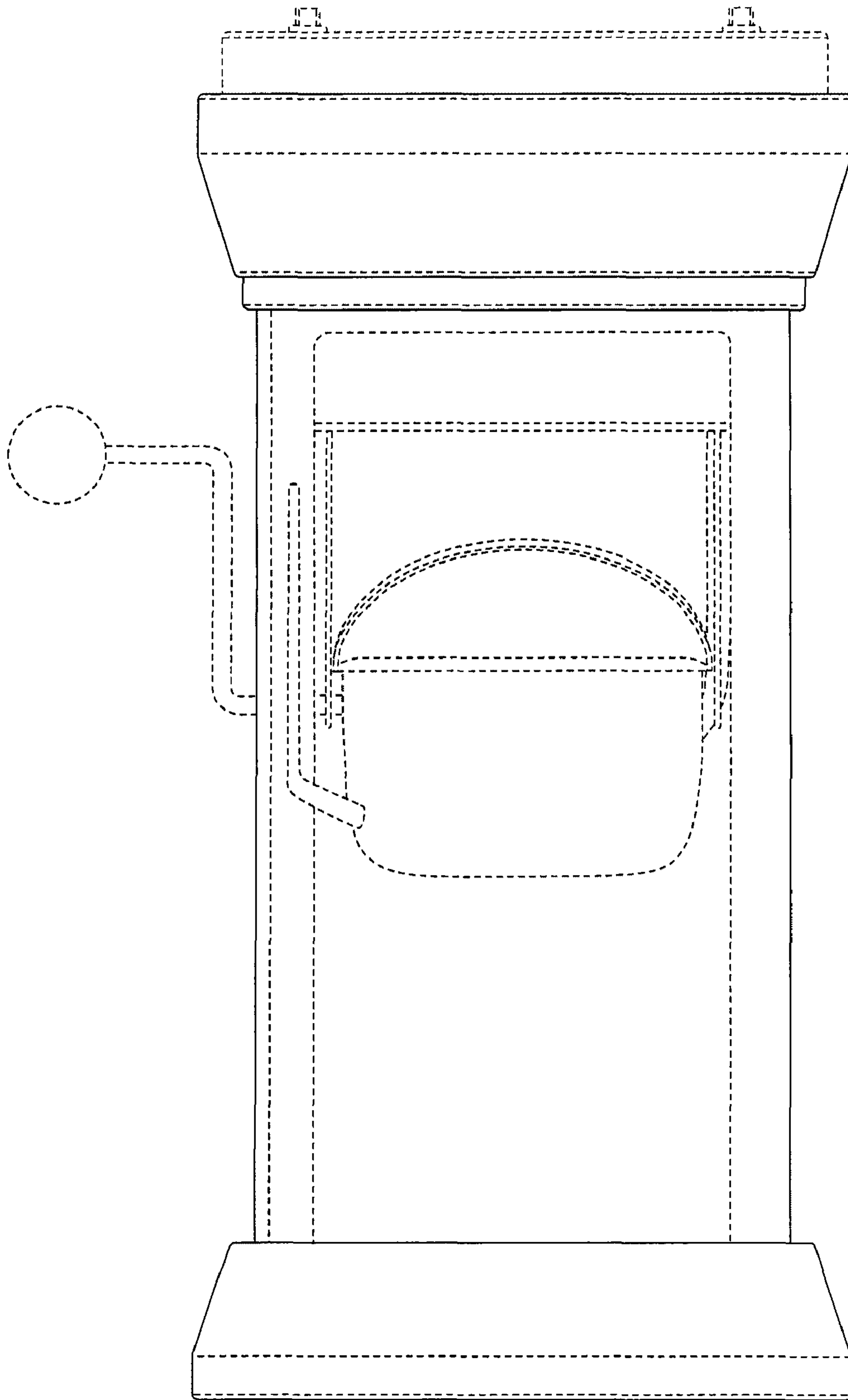


FIG. 17

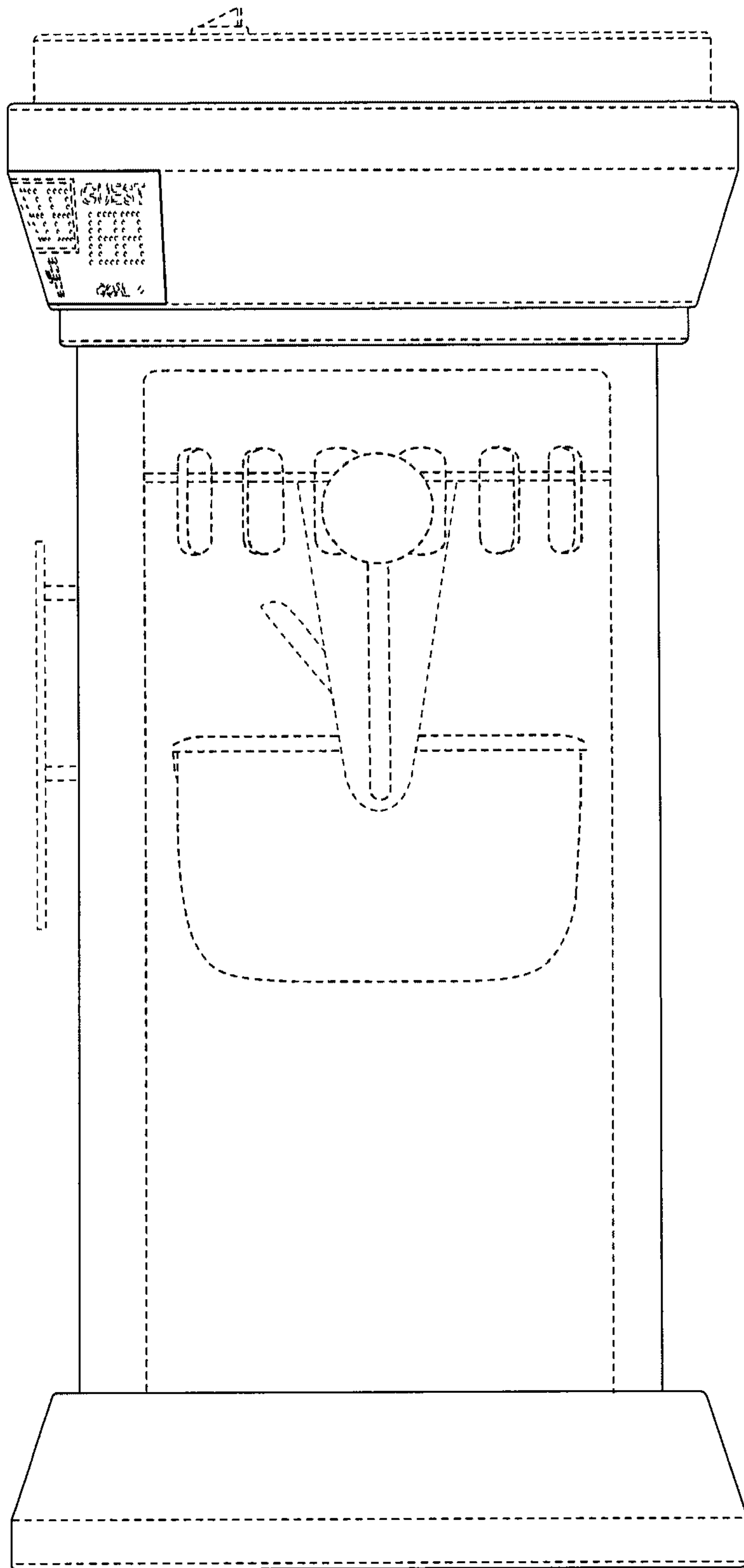


FIG. 18

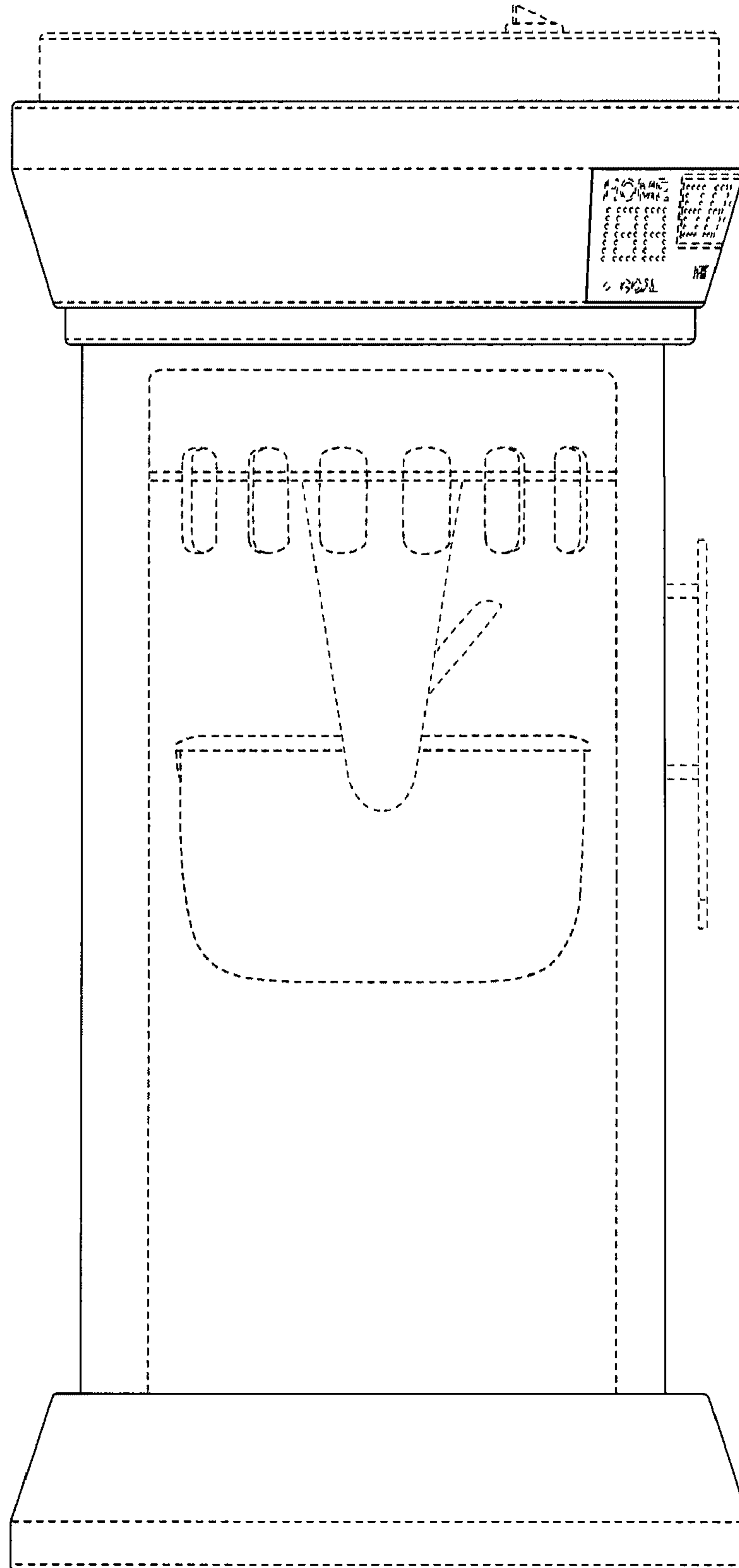


FIG. 19

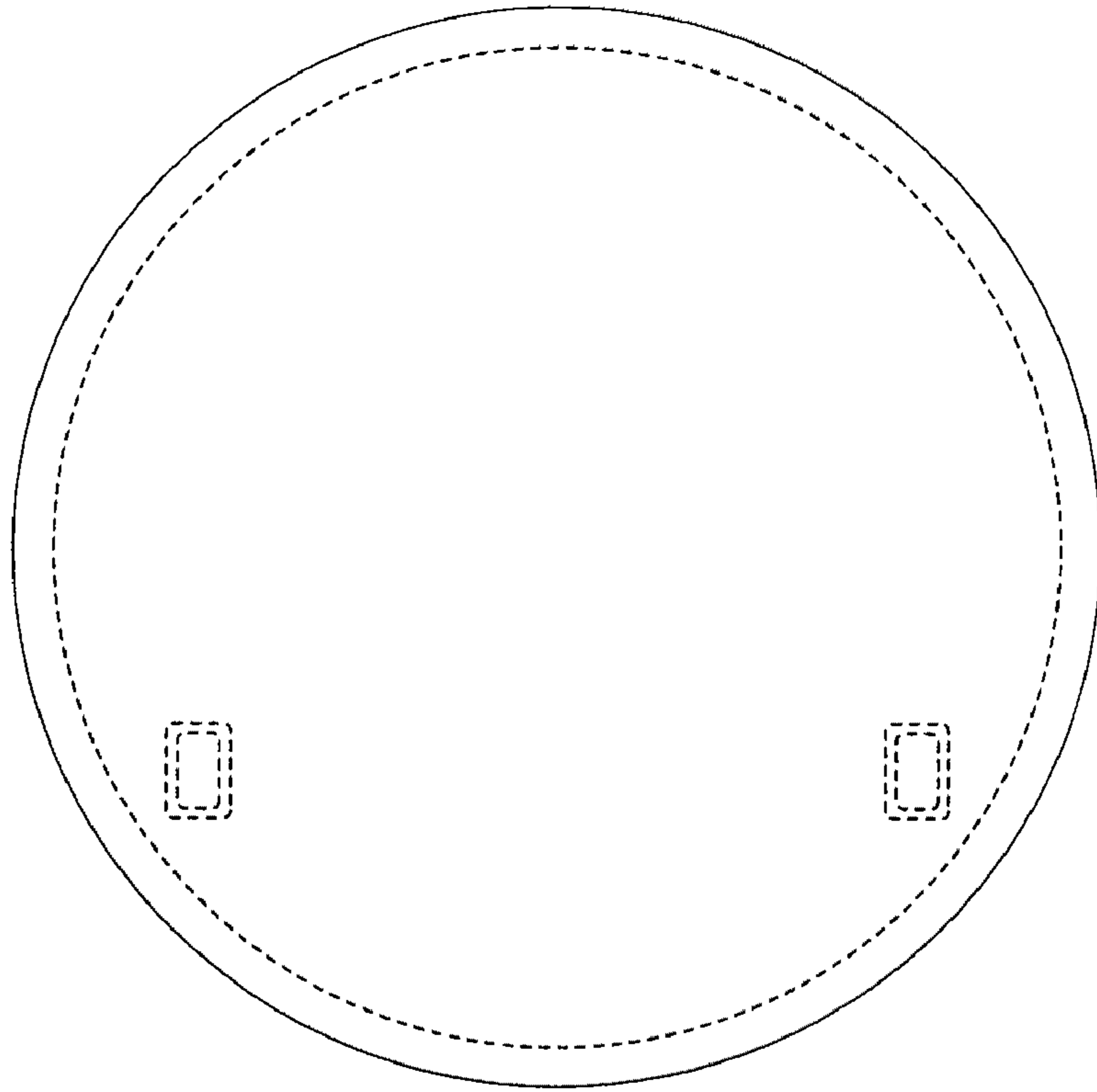


FIG. 20

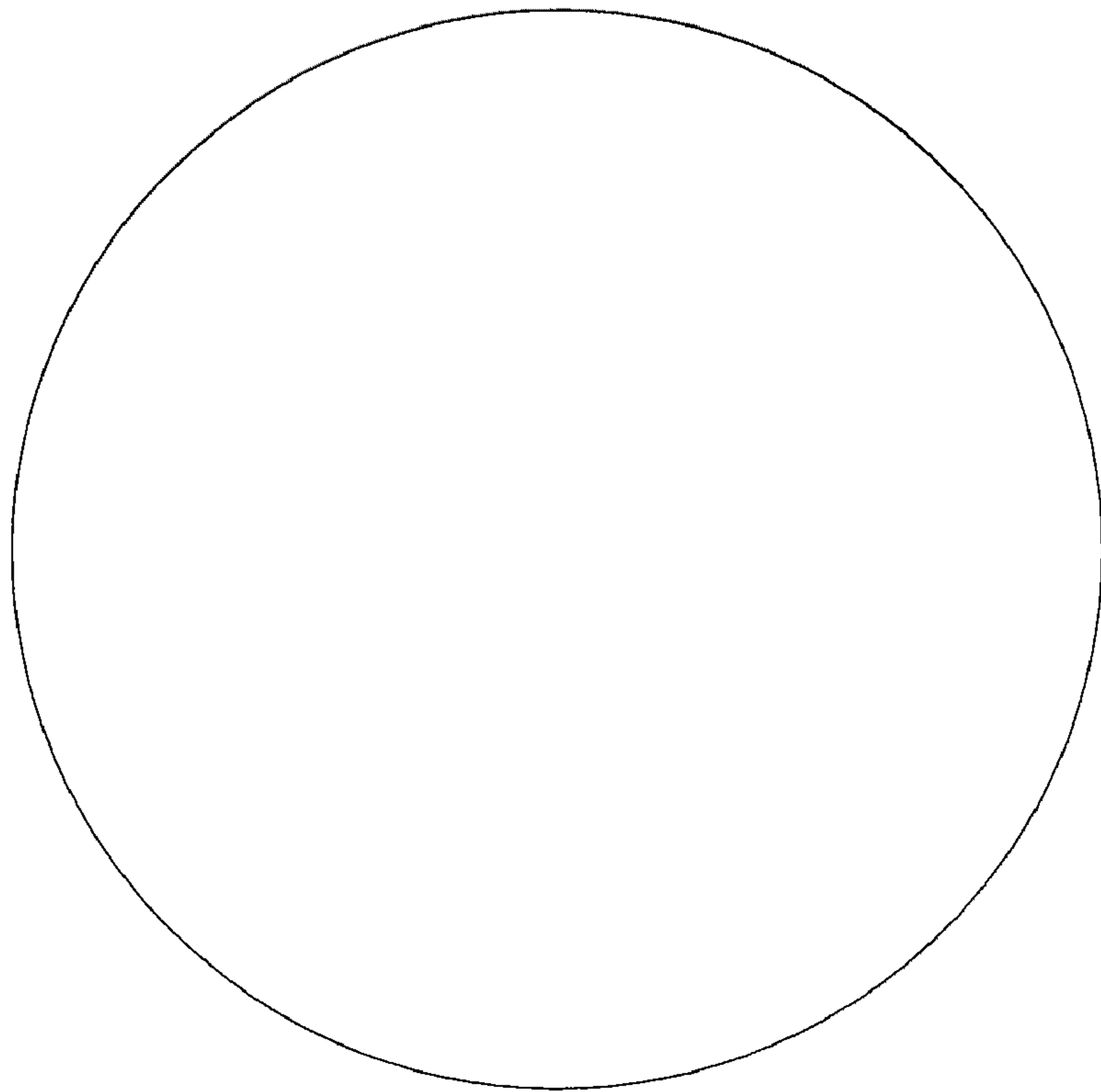


FIG. 21

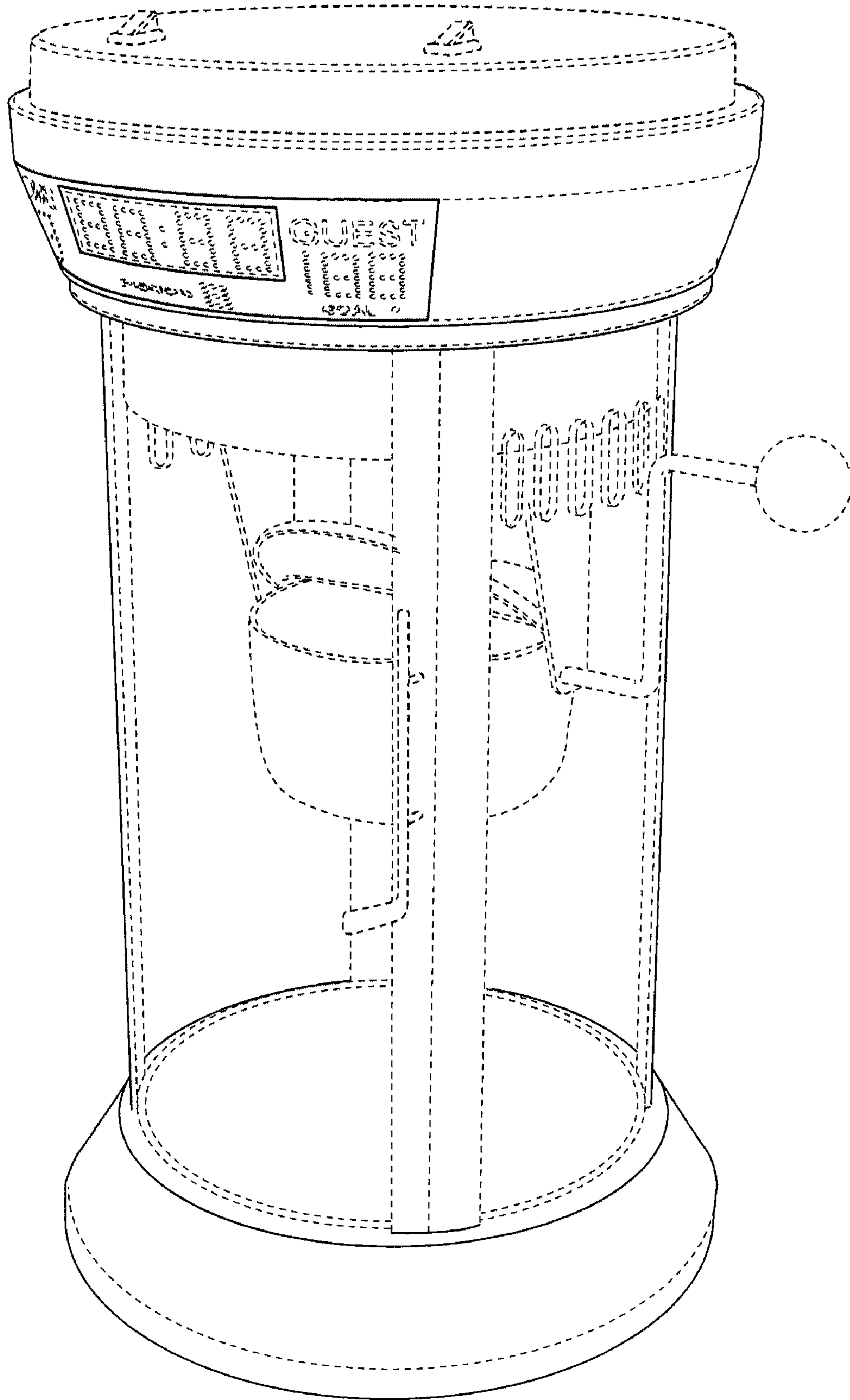


FIG. 22

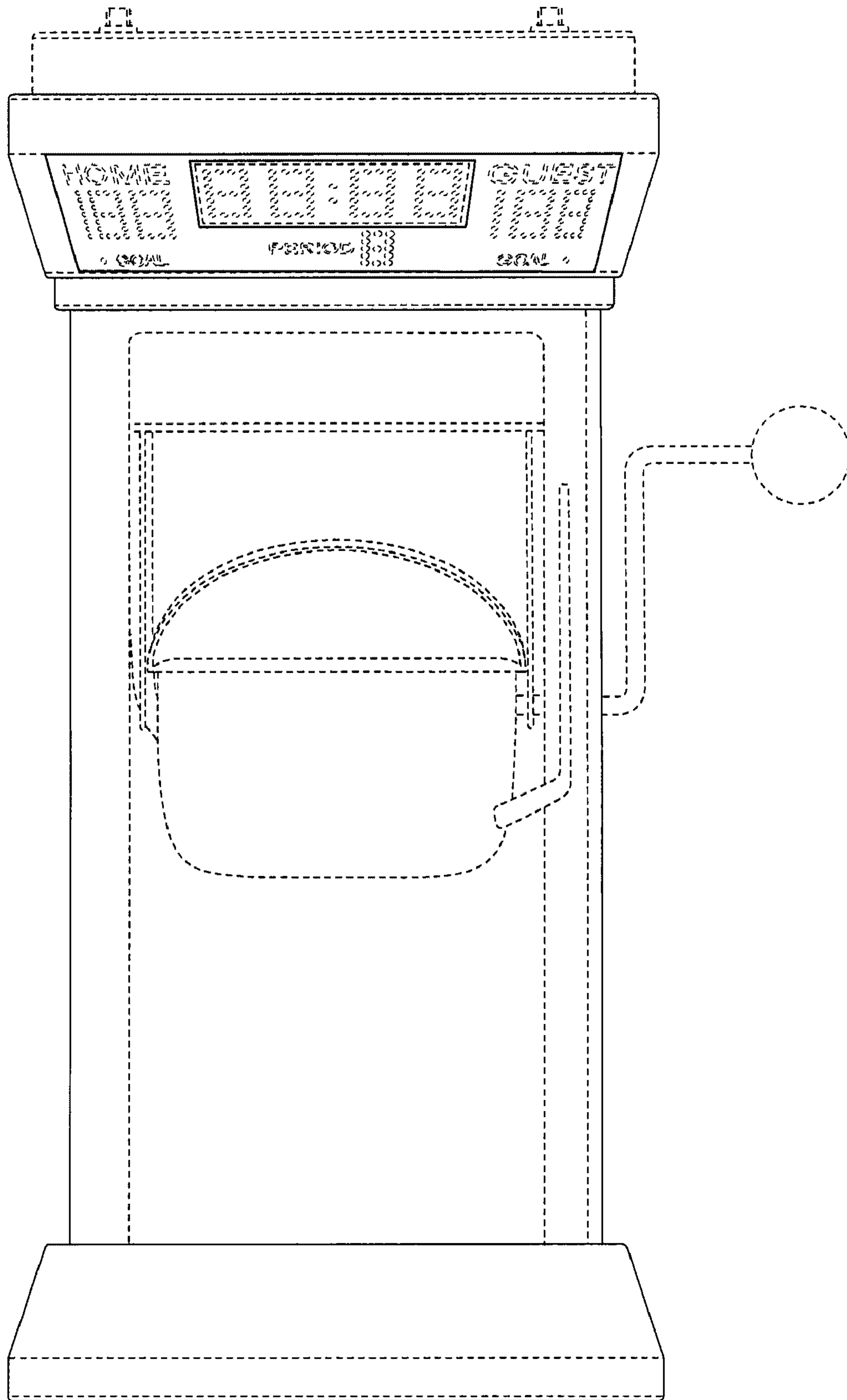


FIG. 23

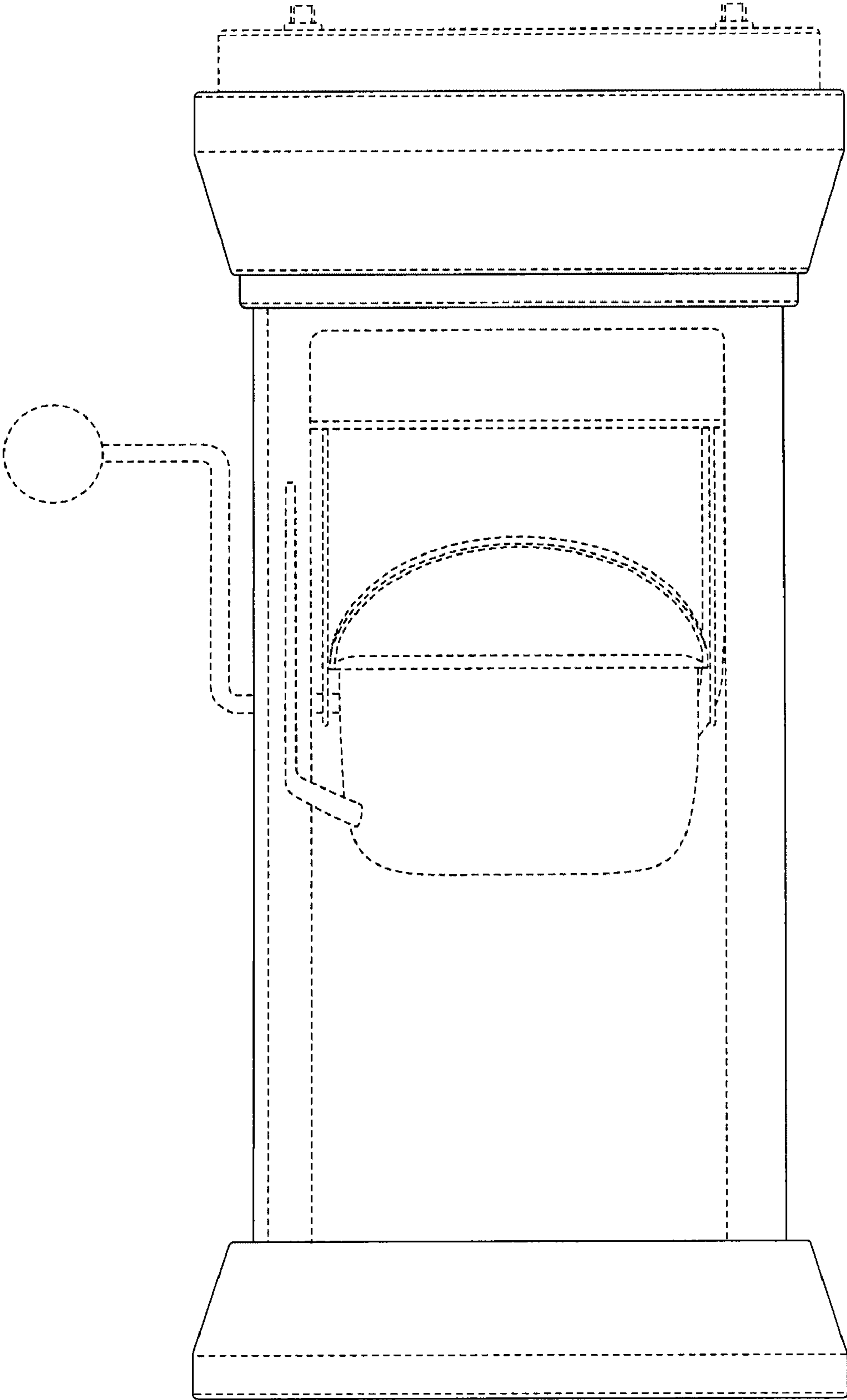


FIG. 24

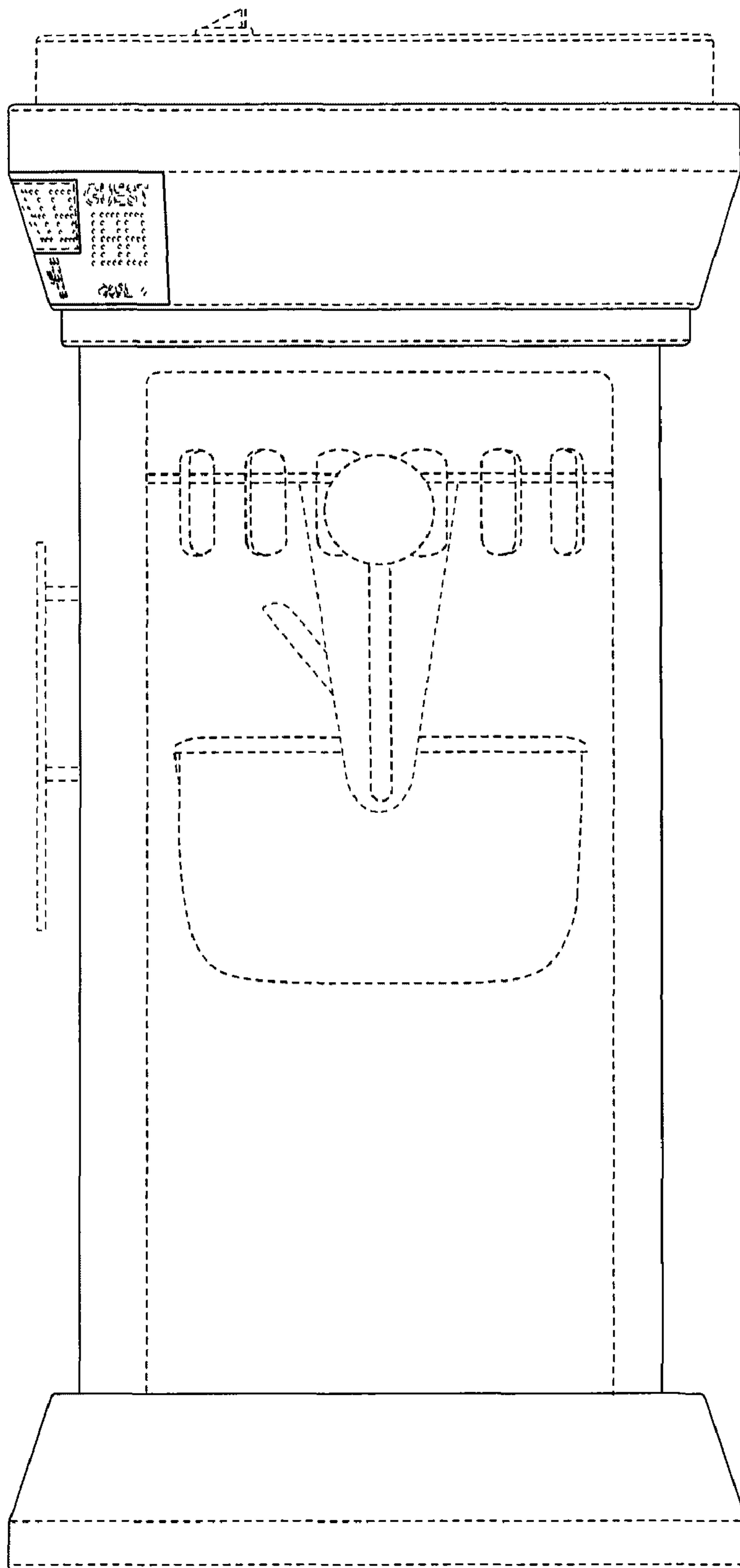


FIG. 25

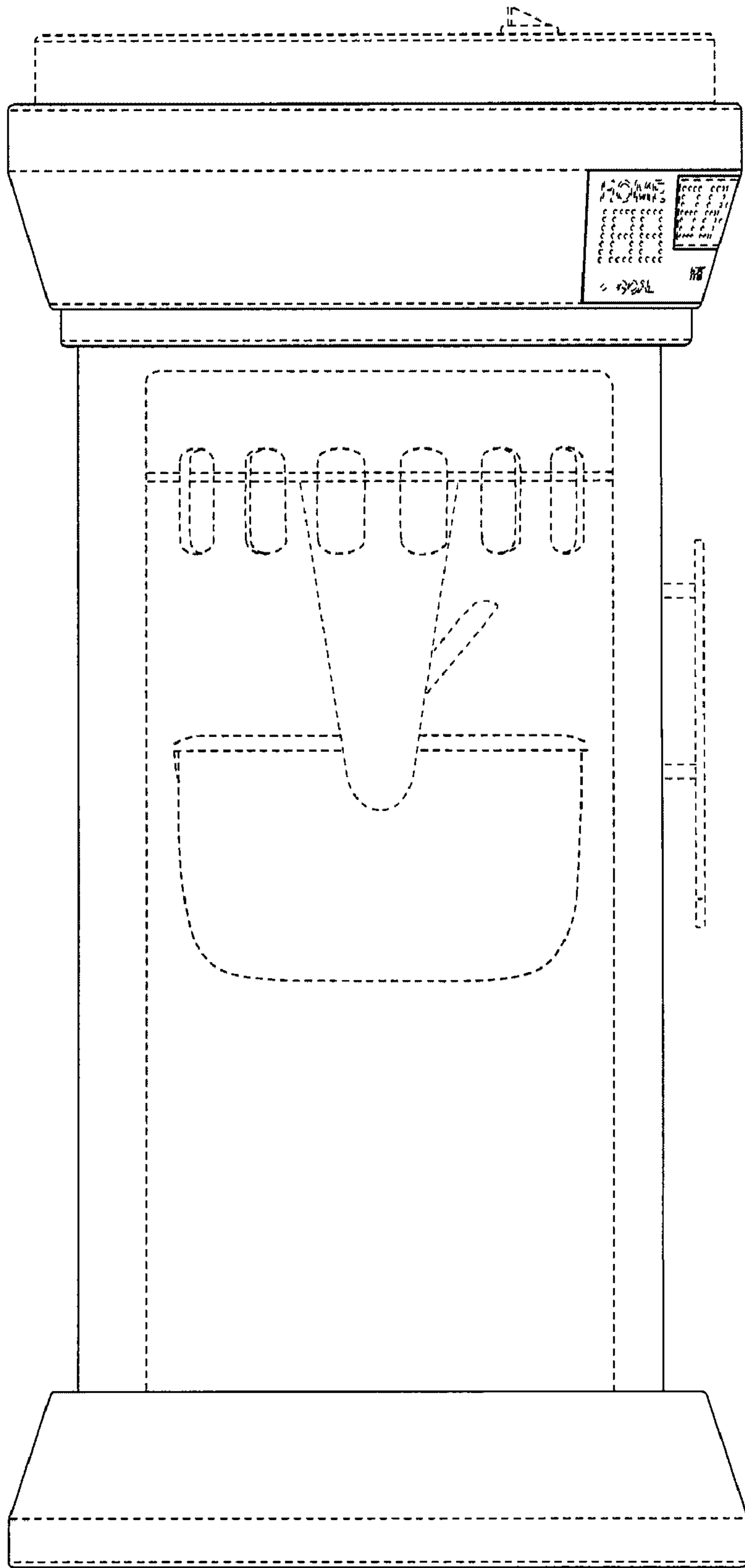


FIG. 26

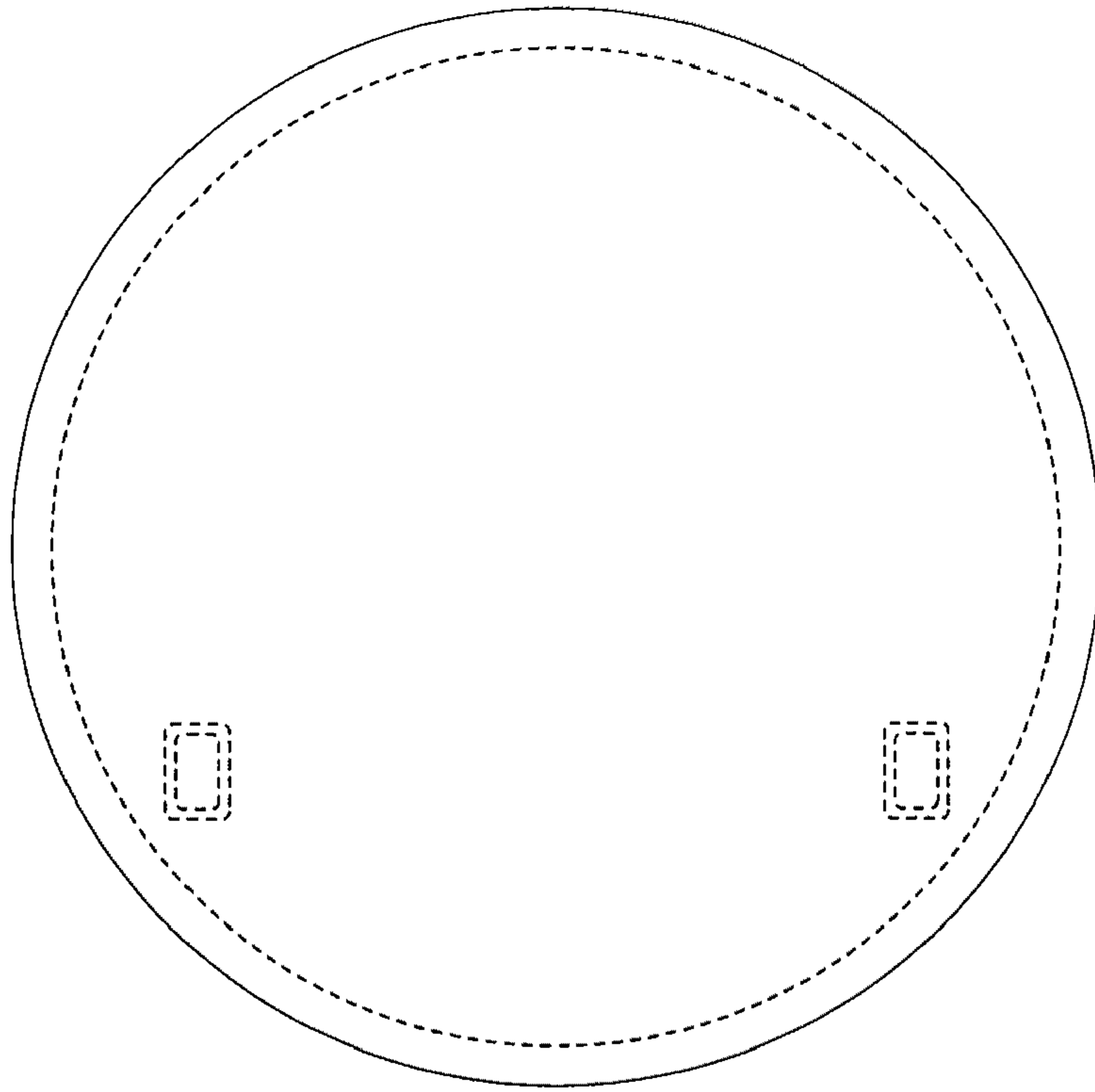


FIG. 27

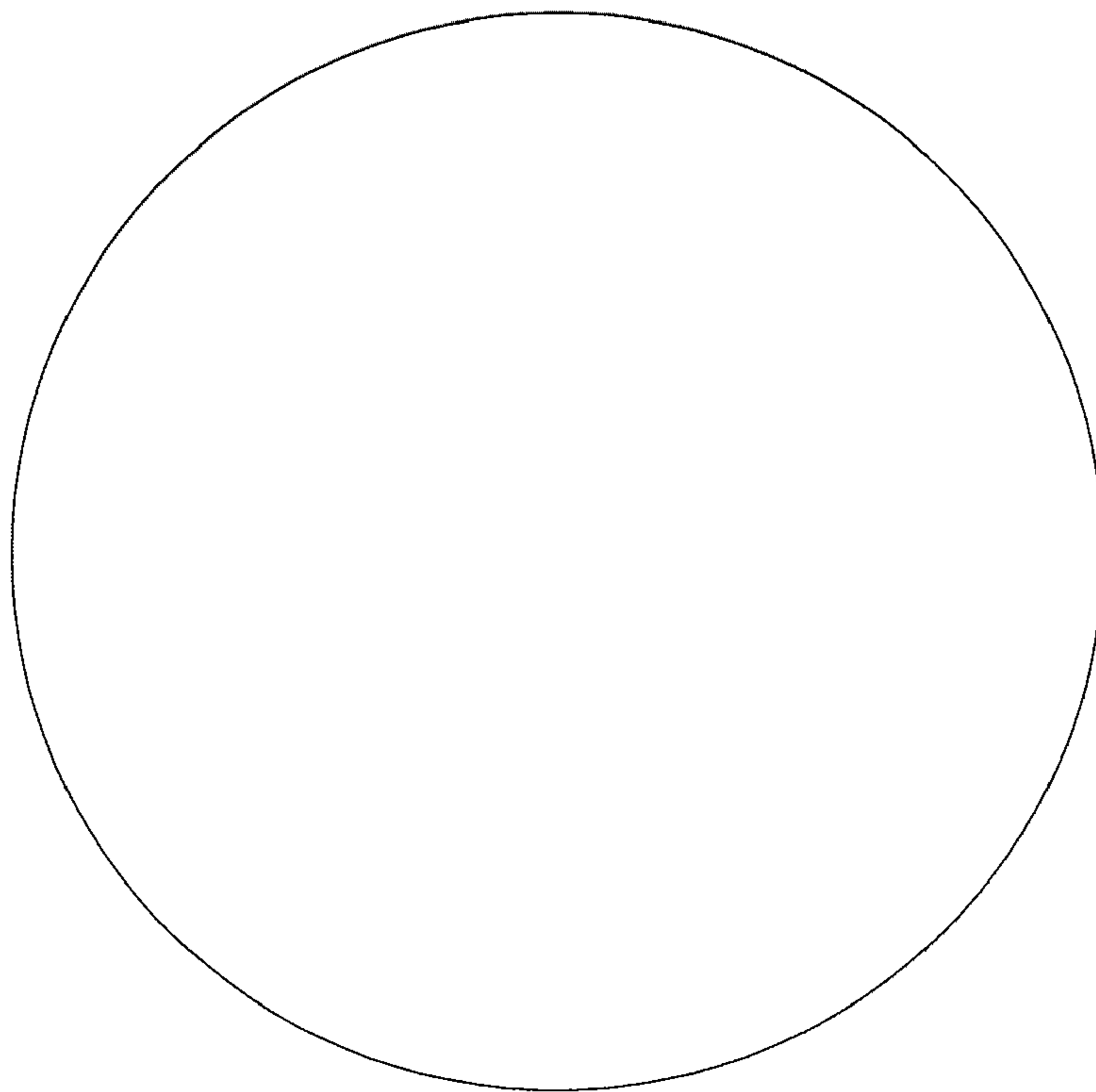


FIG. 28