



US00D650622S

(12) **United States Design Patent**
Morand

(10) **Patent No.:** **US D650,622 S**

(45) **Date of Patent:** **** Dec. 20, 2011**

(54) **BAG-DISPENSING DEVICE**

(75) Inventor: **Michel Morand**, Montreal (CA)

(73) Assignee: **International Refills Company Limited**, Christ Church (BB)

(**) Term: **14 Years**

(21) Appl. No.: **29/387,604**

(22) Filed: **Mar. 15, 2011**

(51) **LOC (9) Cl.** **20-02**

(52) **U.S. Cl.** **D6/518**

(58) **Field of Classification Search** D6/515-523;
206/225, 233, 389, 391; 211/13.1; 222/173,
222/180; 221/26, 33, 282-283, 61; 242/270,
242/590; 248/309.1, 309.2, 905; 225/106
See application file for complete search history.

(56) **References Cited**

U.S. PATENT DOCUMENTS

D316,789 S *	5/1991	McLaughlin	D6/522
5,135,134 A *	8/1992	Dancy	225/106
6,076,717 A *	6/2000	Edwards et al.	225/106
D464,179 S *	10/2002	Petersen et al.	D6/518
D502,622 S *	3/2005	Berger	D6/515
D549,099 S *	8/2007	Edwards	D6/518
D603,635 S *	11/2009	Krebs	D6/518
D609,039 S *	2/2010	Serfaty	D6/518
D616,233 S *	5/2010	Yang	D6/518

* cited by examiner

Primary Examiner — Brian N Vinson

(74) *Attorney, Agent, or Firm* — Kenyon & Kenyon LLP

(57) **CLAIM**

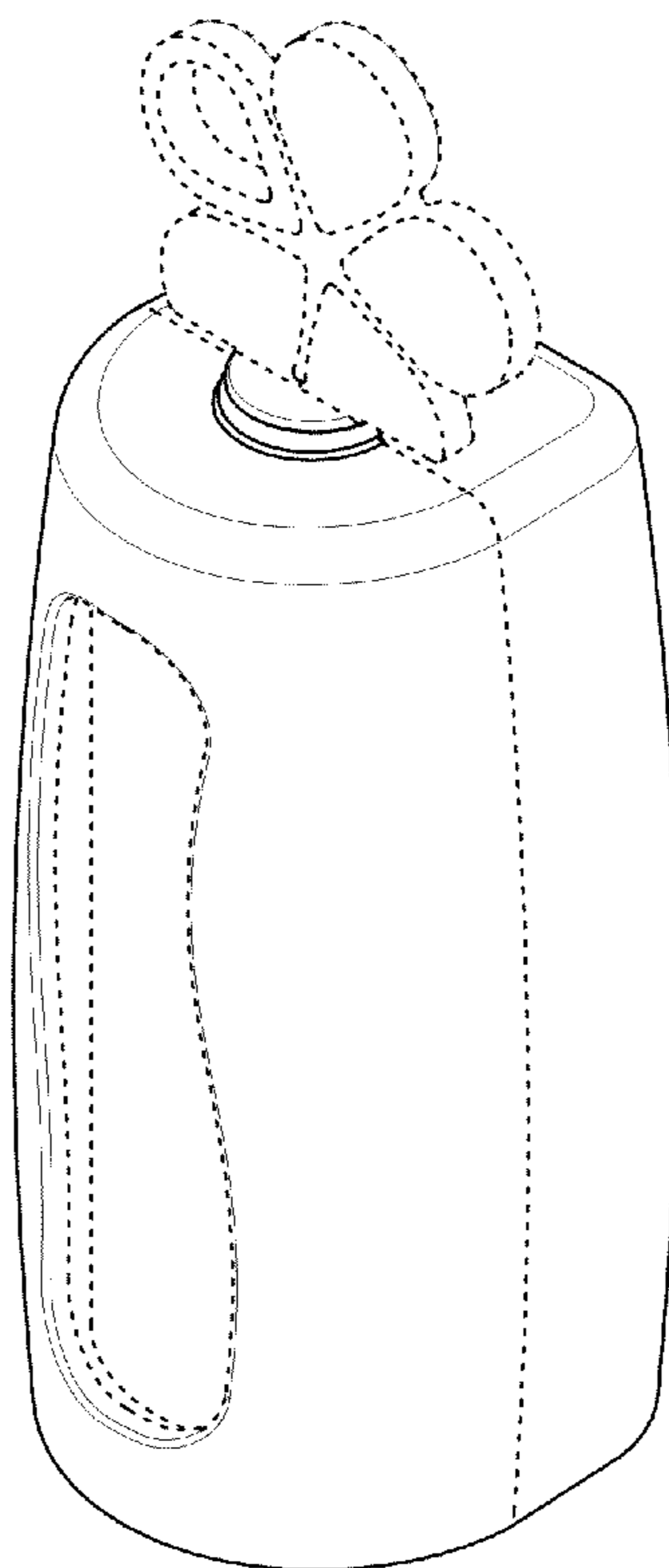
The ornamental design for a bag-dispensing device, as shown and described.

DESCRIPTION

FIG. 1 is a perspective view of a bag dispensing unit in accordance with a first embodiment of the present design; FIG. 2 is a right-side elevational view of the bag dispensing unit of FIG. 1; FIG. 3 is a front elevational view of the bag dispensing unit of FIG. 1; FIG. 4 is a left-side elevational view of the bag dispensing unit of FIG. 1; FIG. 5 is a rear elevational view of the bag dispensing unit of FIG. 1; FIG. 6 is a top plan view of the bag dispensing unit of FIG. 1; and, FIG. 7 is bottom plan view of the bag dispensing unit of FIG. 1.

The broken lines showing structural supports and peripheral components in each figure are for illustrative purposes only and form no part of the claimed design.

1 Claim, 4 Drawing Sheets



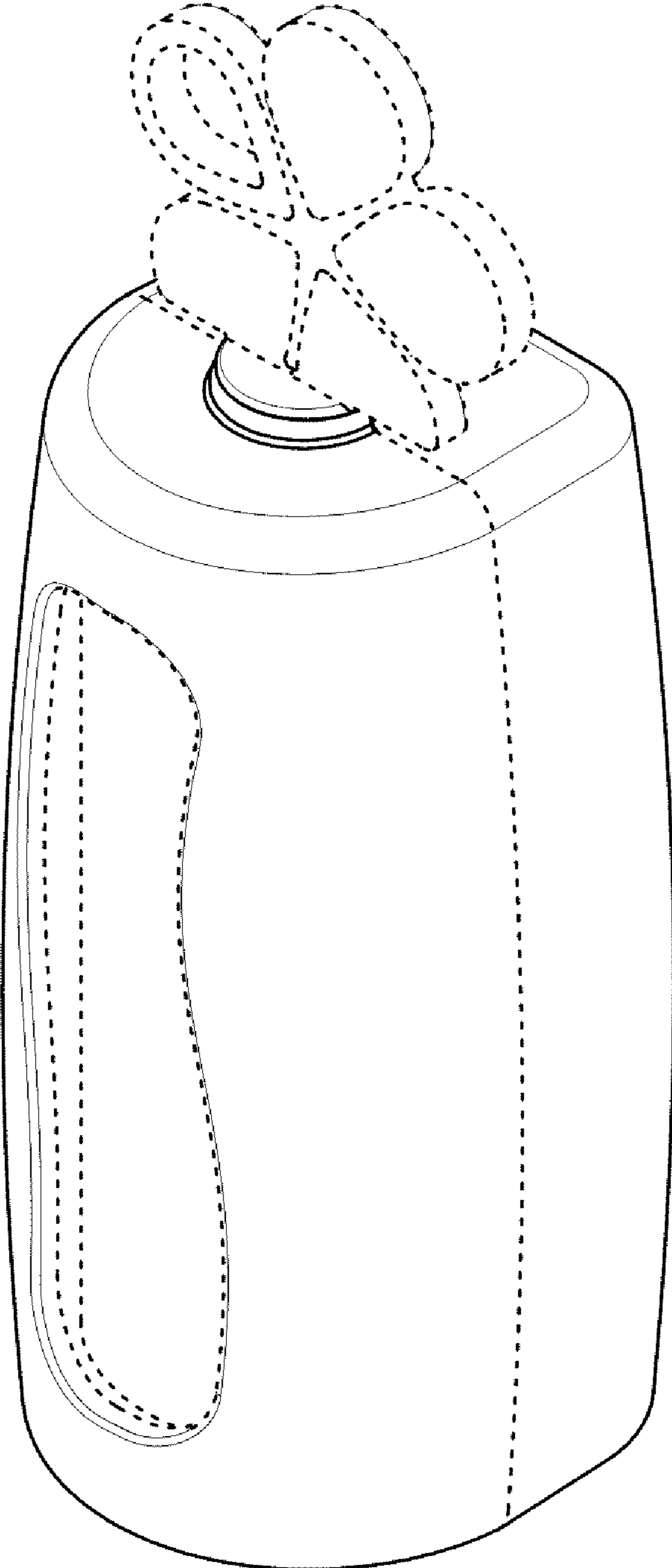


Fig. 1

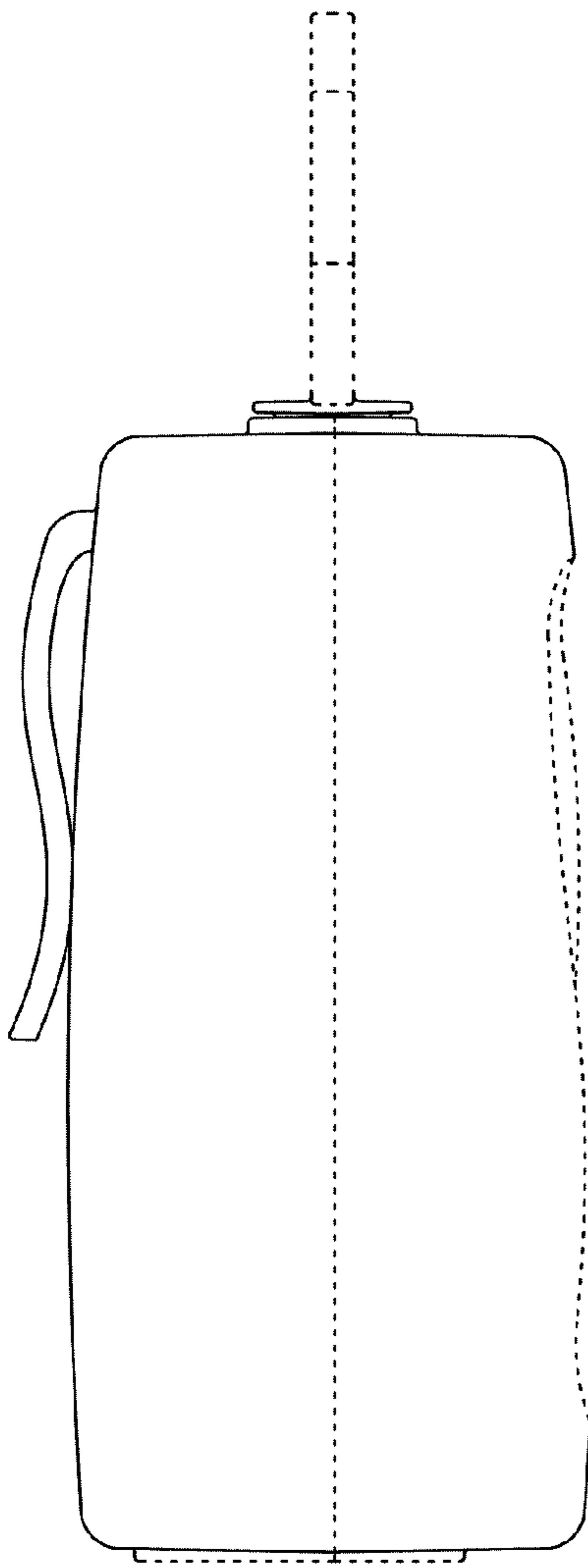


Fig. 2

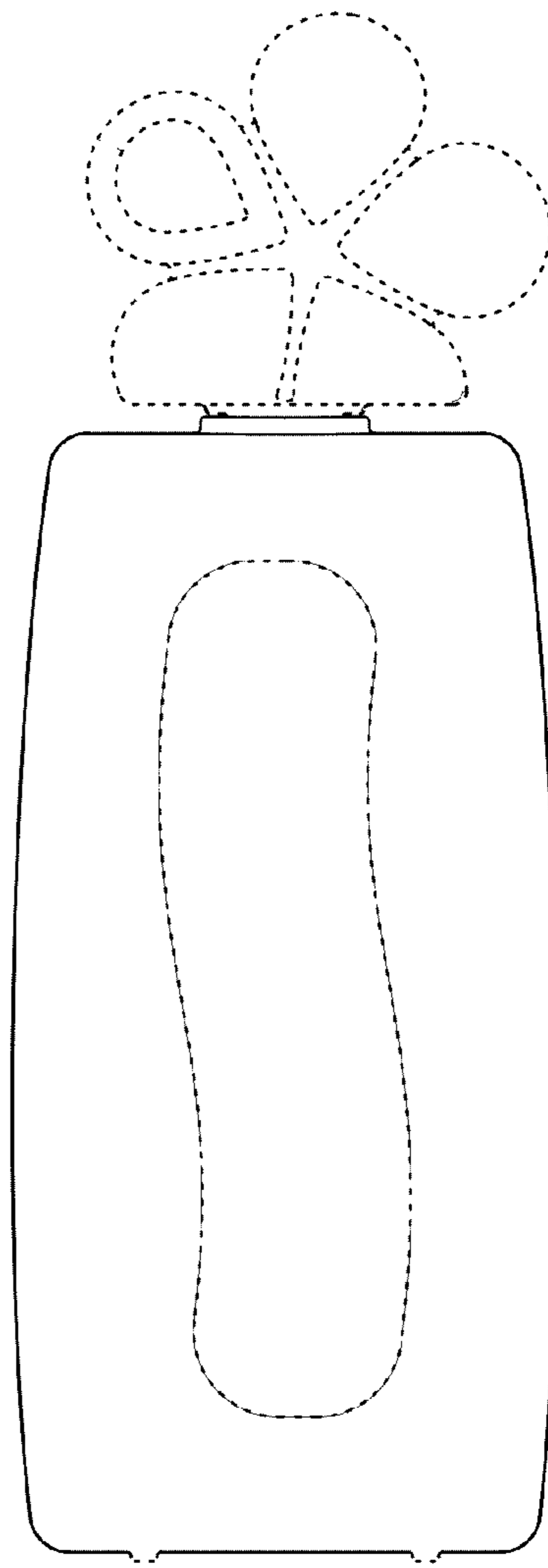


Fig. 3

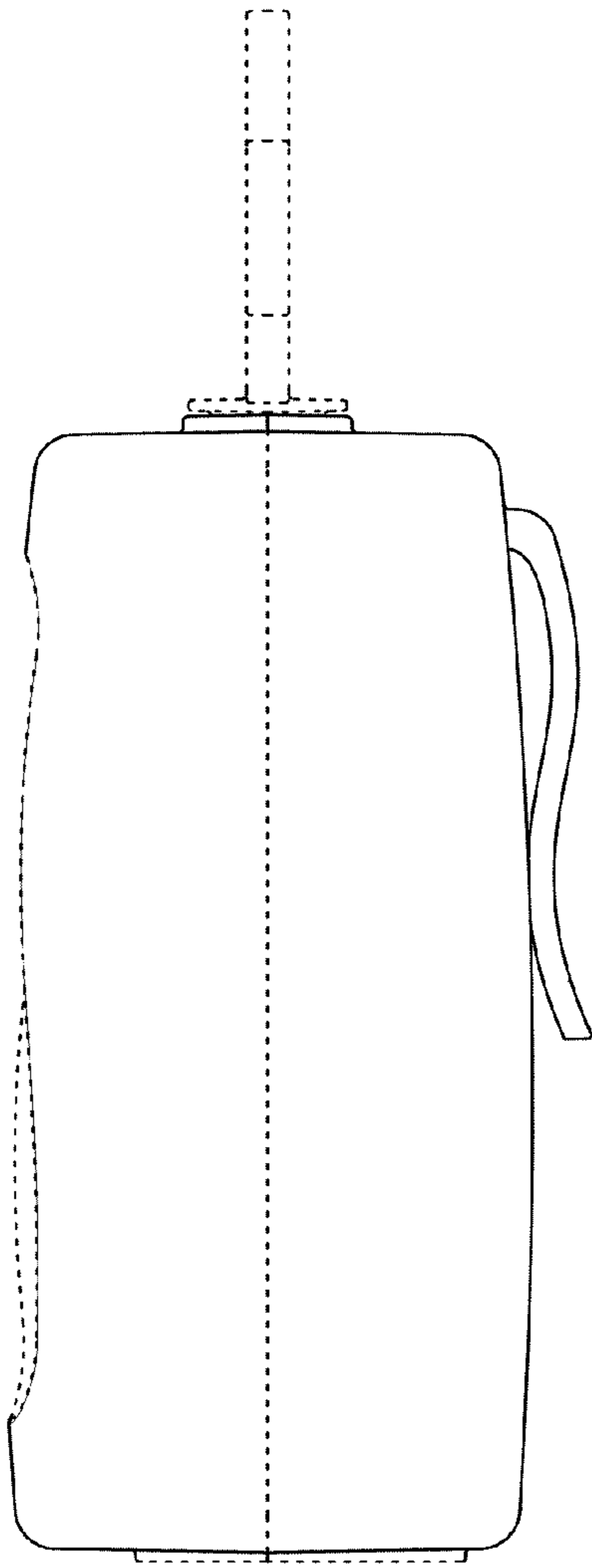


Fig. 4

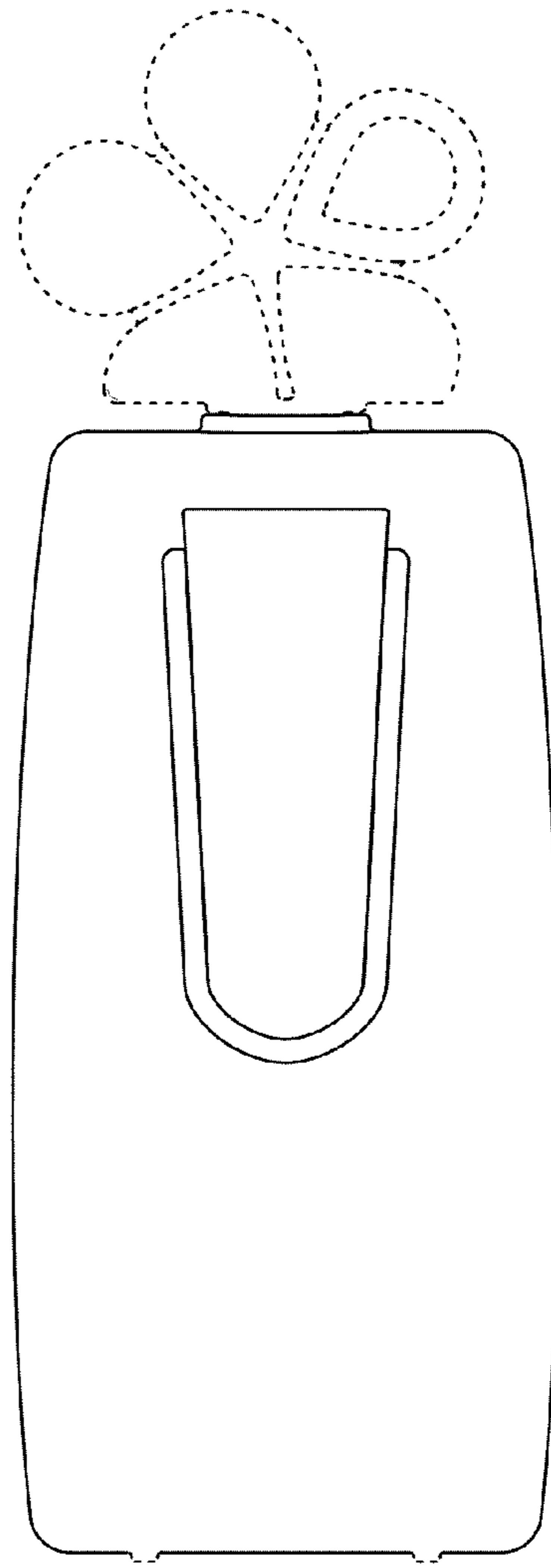


Fig. 5

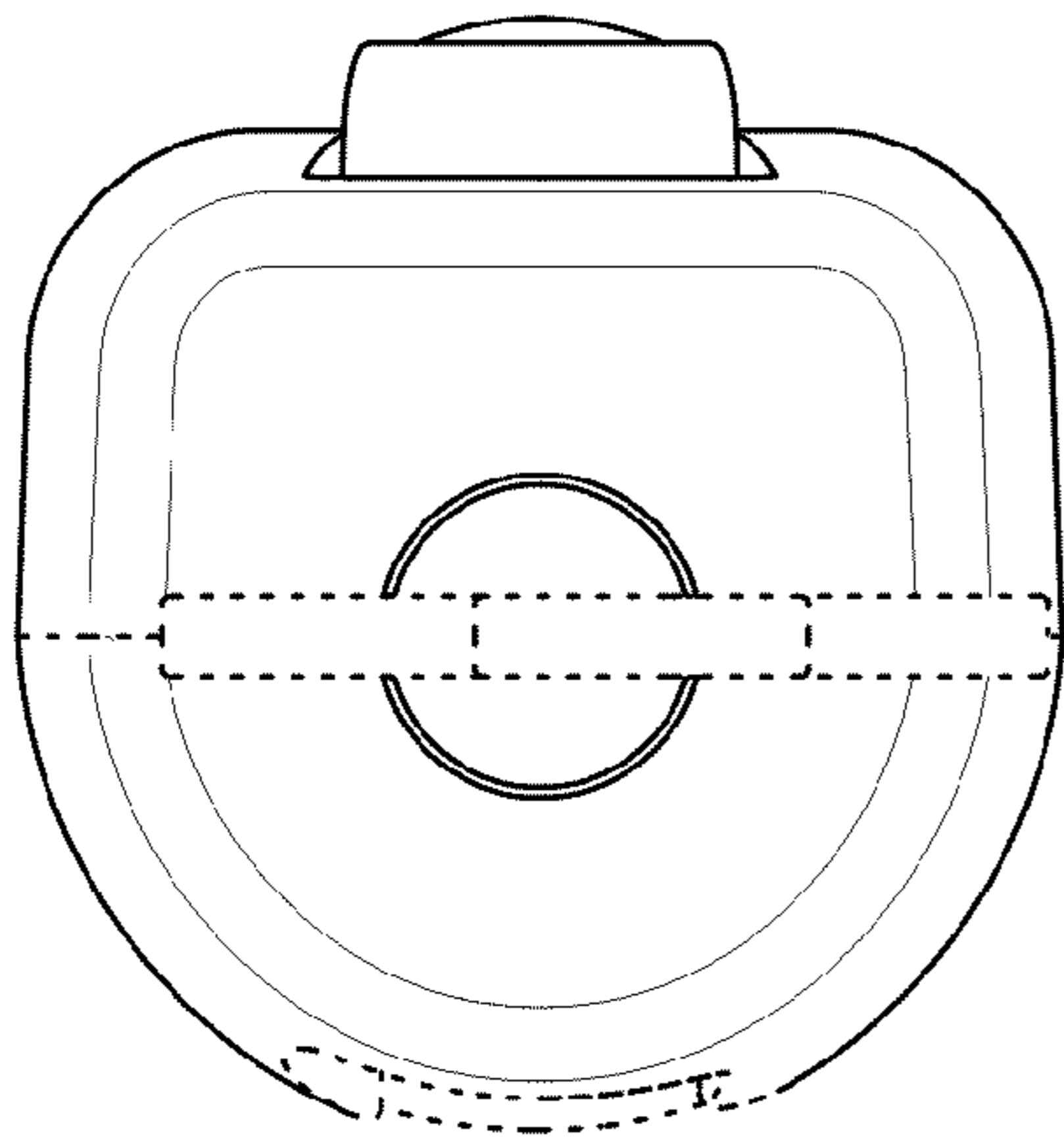


Fig. 6

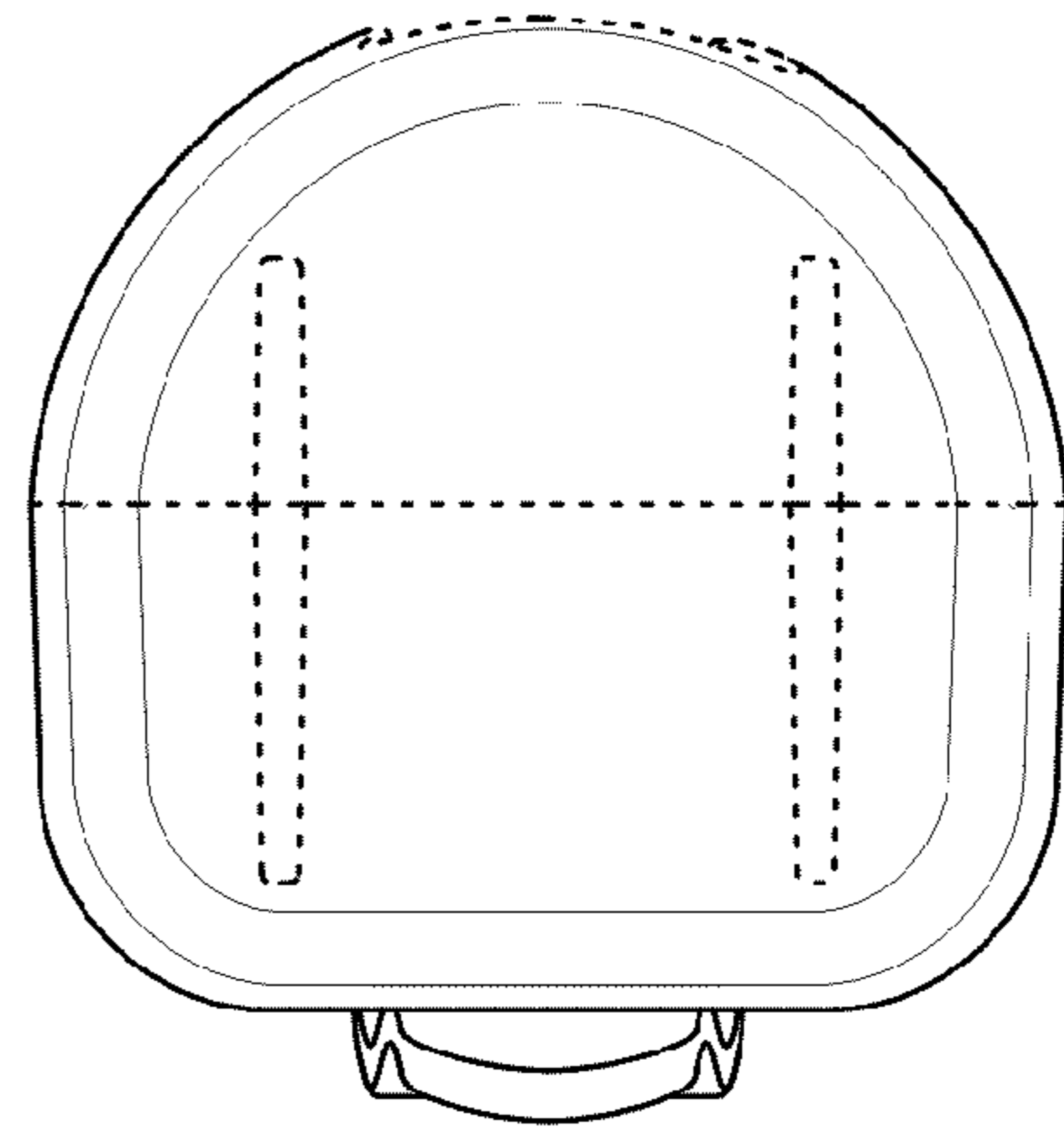


Fig. 7