



US00D650618S

(12) **United States Design Patent**
Abolkheir

(10) **Patent No.:** **US D650,618 S**

(45) **Date of Patent:** **** Dec. 20, 2011**

(54) **ARM FOR A SEAT**

(76) **Inventor:** **Mohamed Hosny Abolkheir**, Bristol
(GB)

(**) **Term:** **14 Years**

(21) **Appl. No.:** **29/353,433**

(22) **Filed:** **Jan. 8, 2010**

(51) **LOC (9) Cl.** **06-01**

(52) **U.S. Cl.** **D6/501**

(58) **Field of Classification Search** D6/334-336,
D6/356, 364, 365, 366, 367, 368, 370, 371-373,
D6/374, 375, 376, 379, 380, 500-502; 297/27,
297/35, 411.27, 411.28, 411.29, 411.35
See application file for complete search history.

(56) **References Cited**

U.S. PATENT DOCUMENTS

D180,392 S *	6/1957	Giudice	D6/356
D180,710 S *	7/1957	Giudice	D6/356
D232,883 S *	9/1974	Macnab	D6/356
D370,791 S *	6/1996	Yamazaki	D6/368

D413,447 S *	9/1999	Tseng	D6/368
D552,389 S *	10/2007	Papiernik	D6/501
D580,672 S *	11/2008	Le Gal et al.	D6/368
D613,516 S *	4/2010	Plant	D6/356

* cited by examiner

Primary Examiner — Mimoso De

(74) *Attorney, Agent, or Firm* — Michael D. Eisenberg

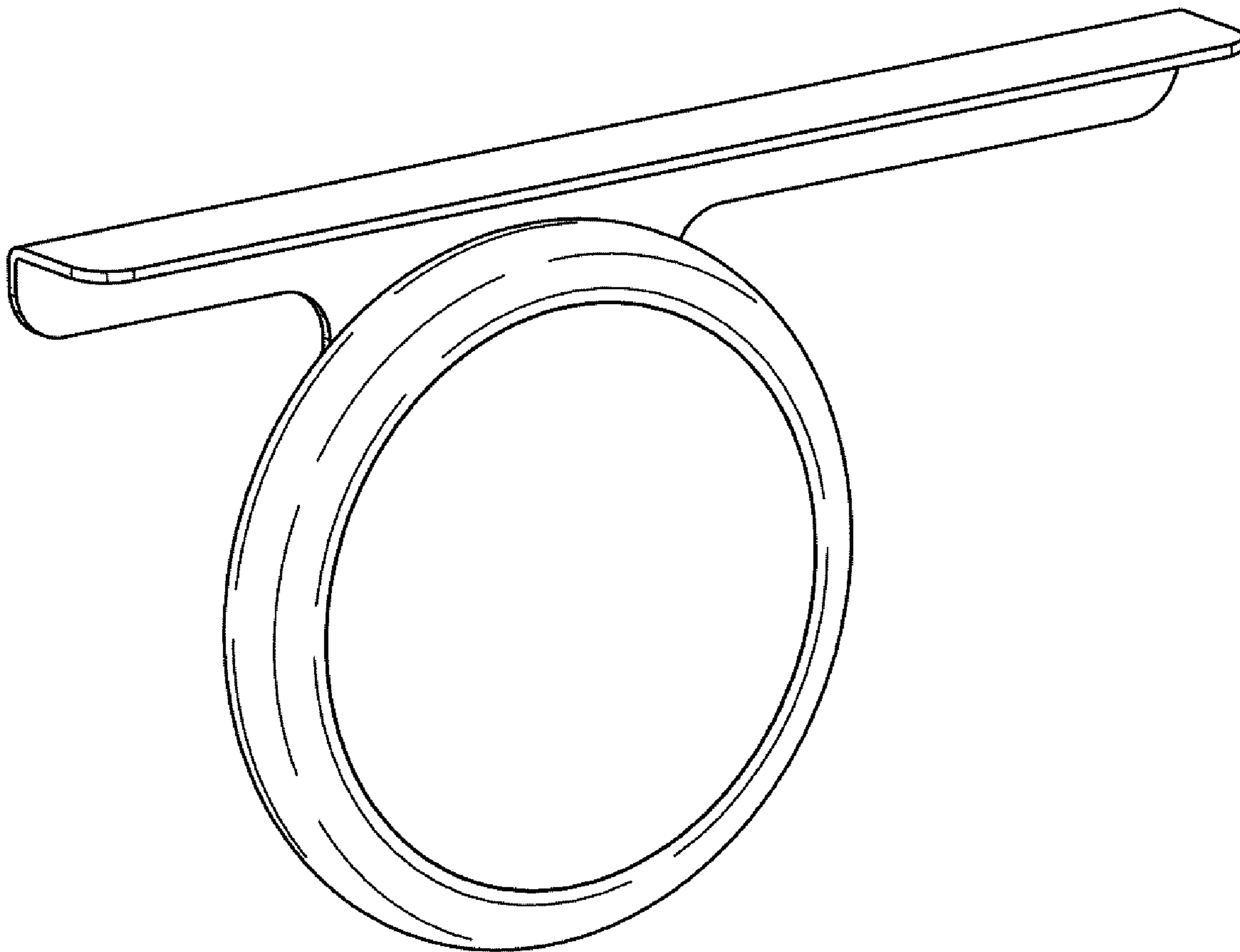
(57) **CLAIM**

The ornamental design for an arm for a seat, as shown and described.

DESCRIPTION

FIG. 1 is a perspective view of an arm for a seat showing my new design;
FIG. 2 is an outer side view of the arm for a seat;
FIG. 3 is a top view of the arm for a seat;
FIG. 4 is a front view of the arm for a seat;
FIG. 5 is a back view of the arm for a seat;
FIG. 6 is an inner side view of the arm for a seat; and,
FIG. 7 is a bottom view of the arm for a seat.

1 Claim, 2 Drawing Sheets



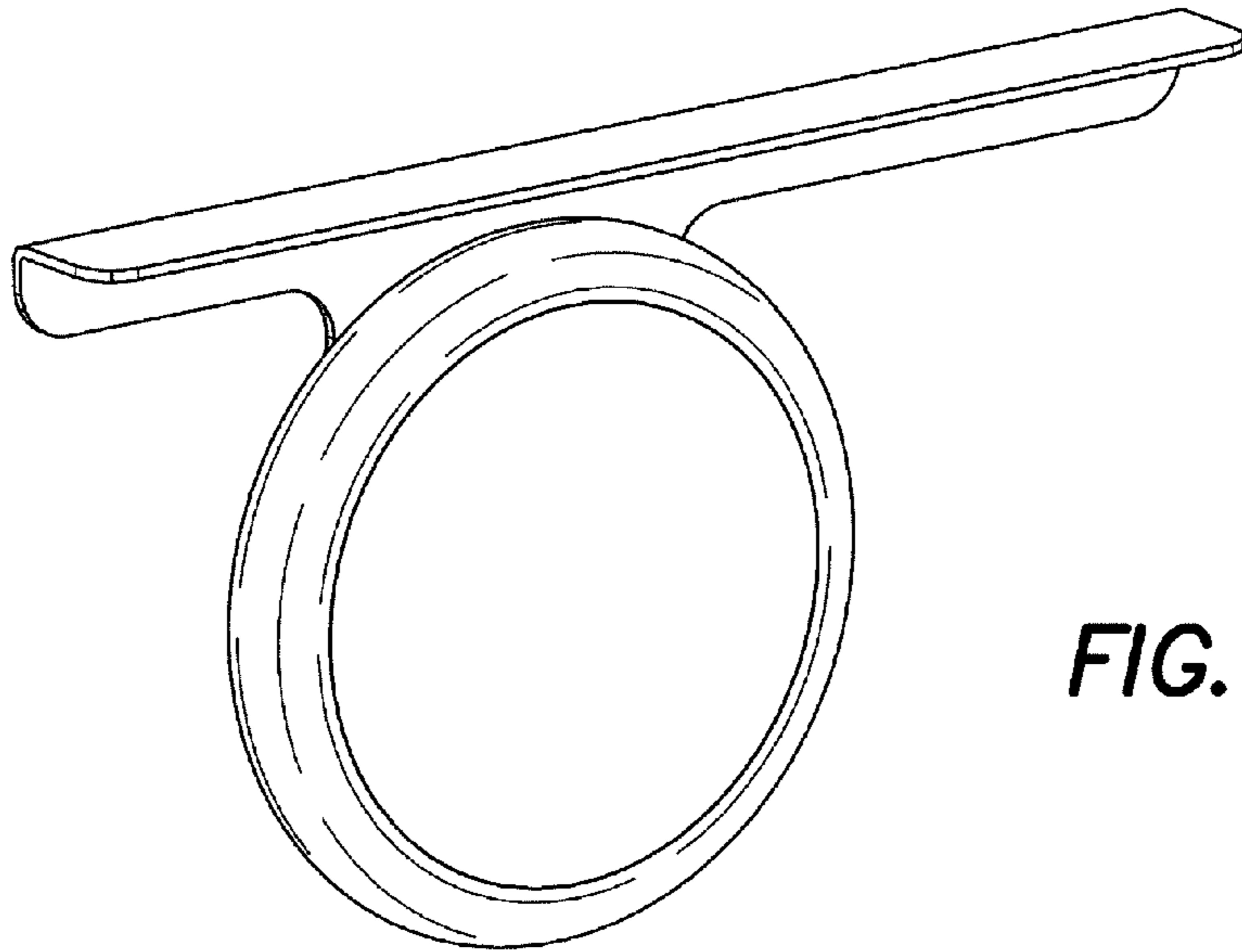


FIG. 1

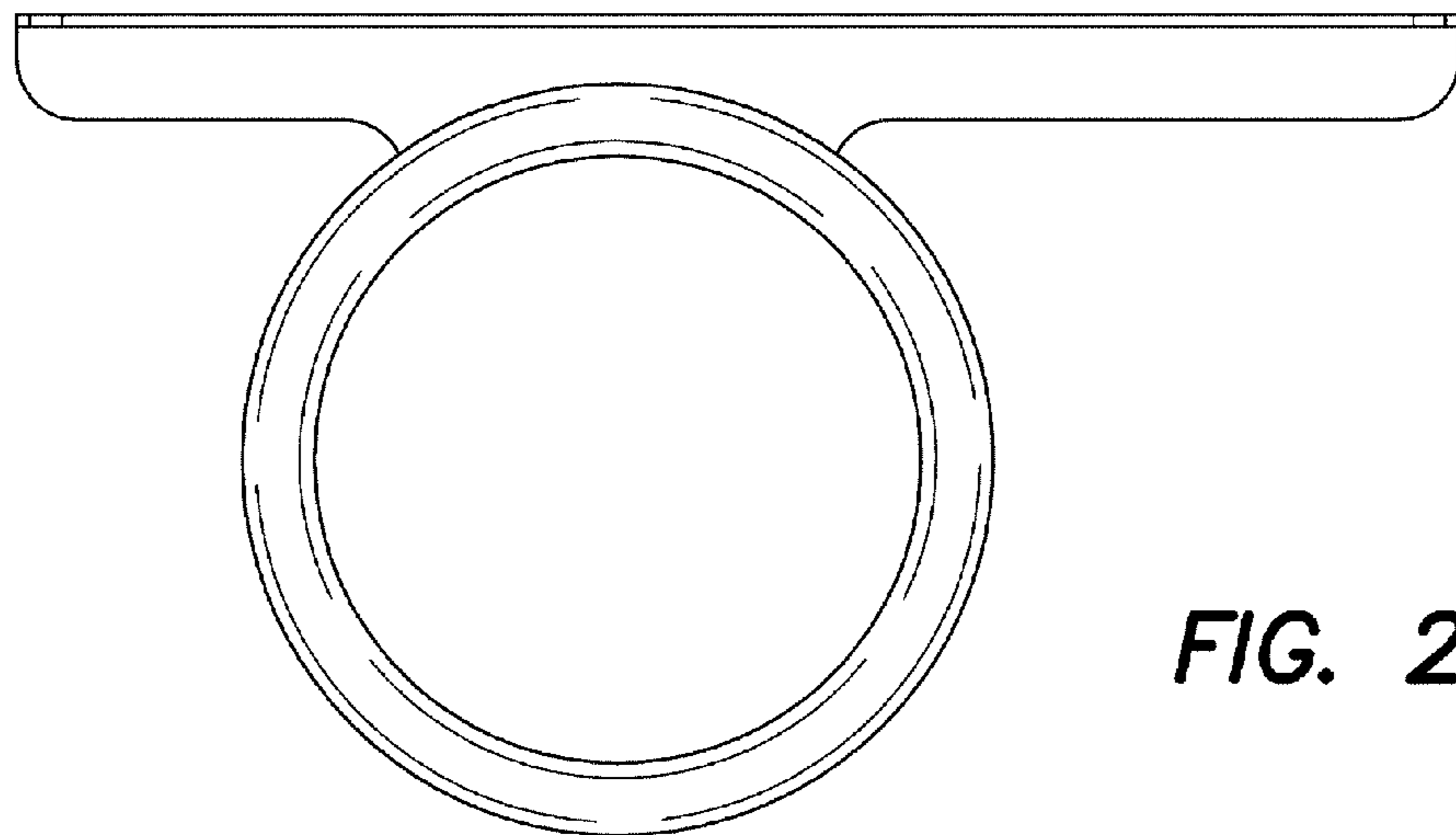


FIG. 2

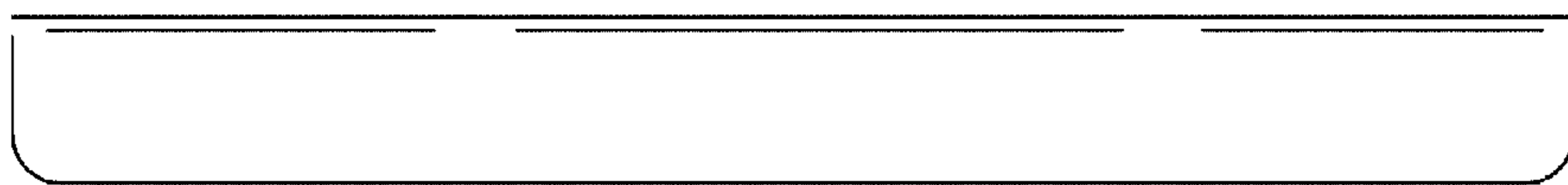


FIG. 3

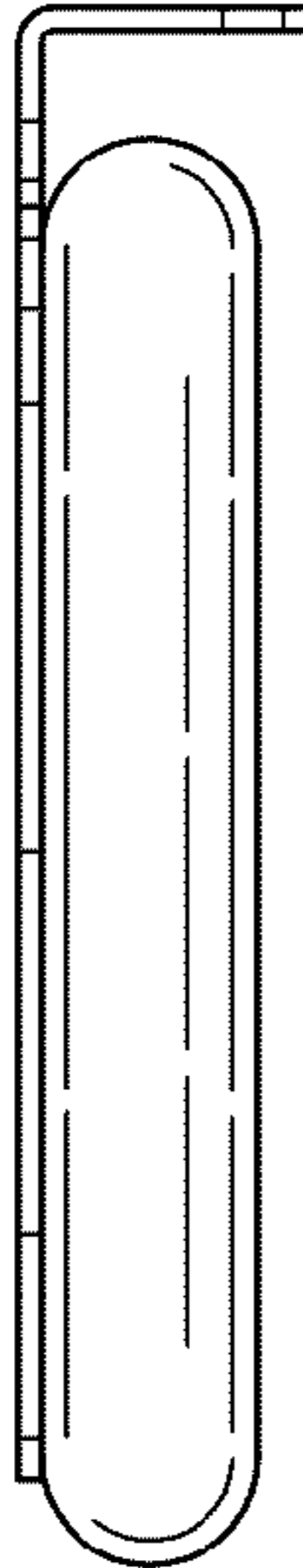


FIG. 4

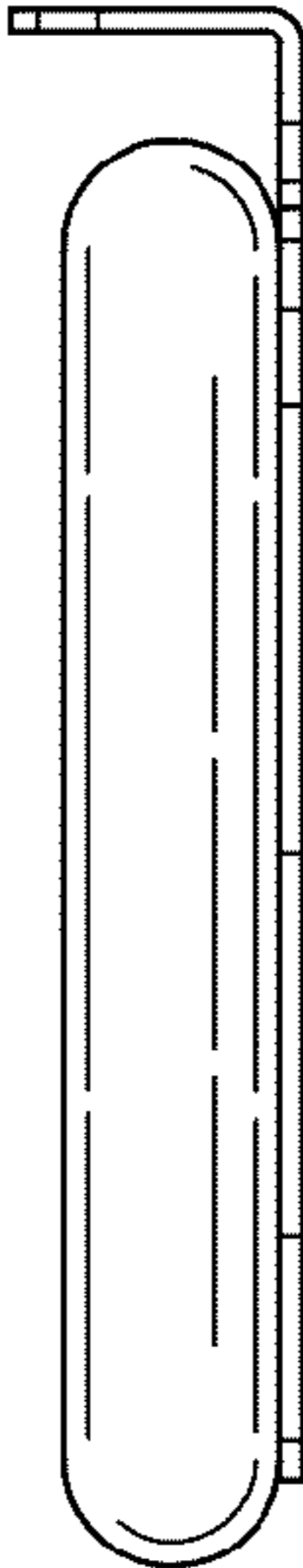


FIG. 5

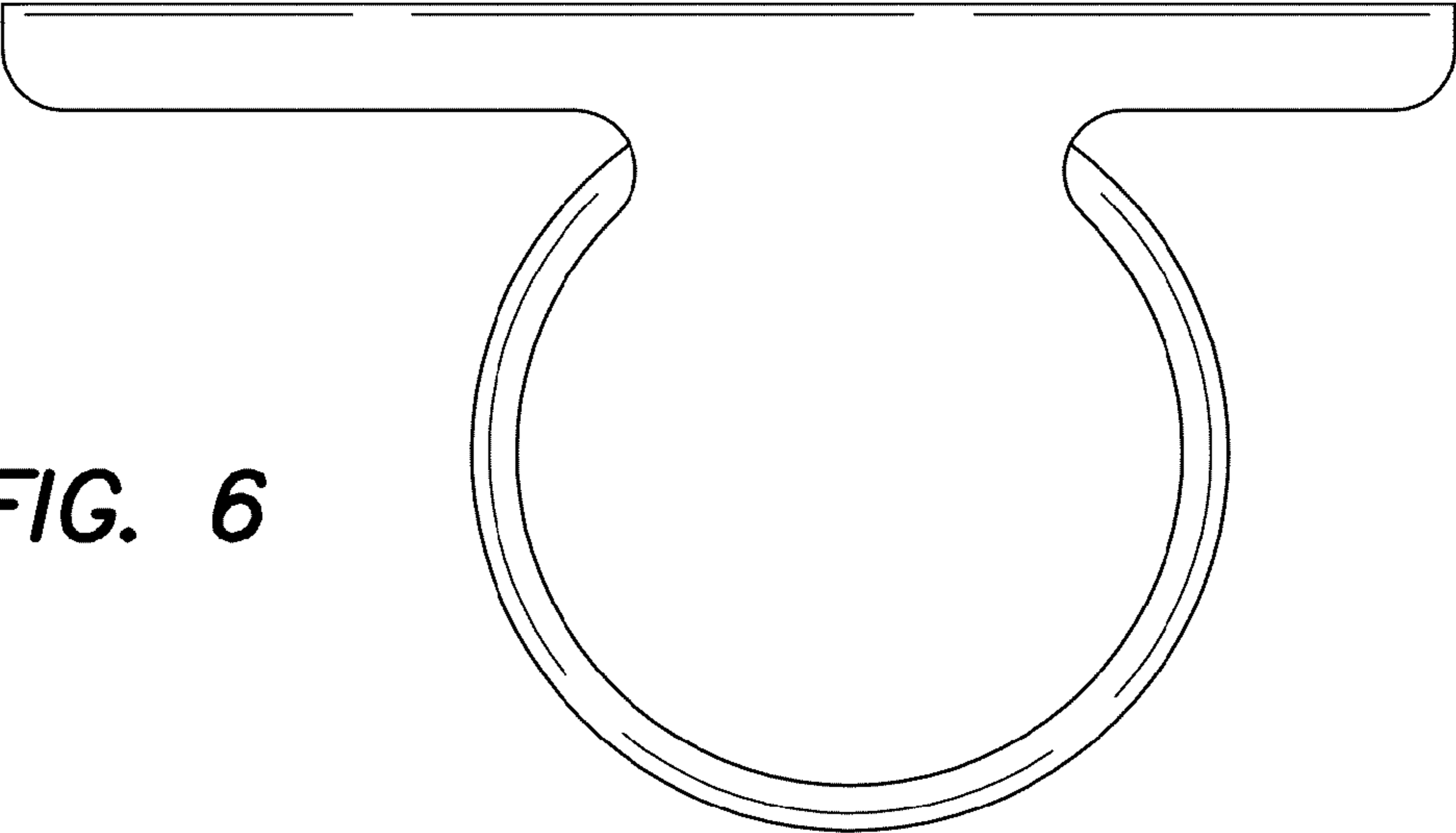


FIG. 6

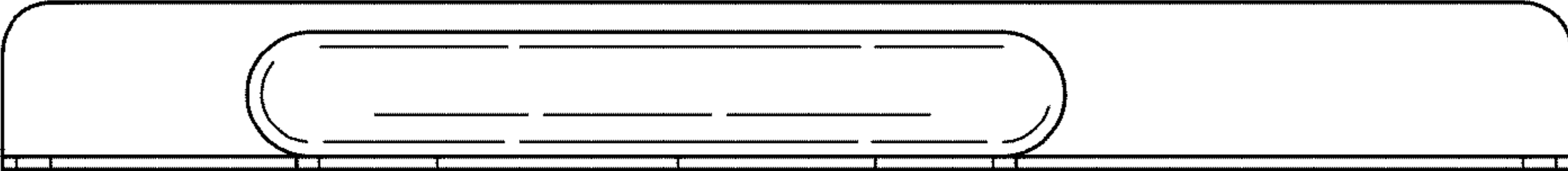


FIG. 7