



US00D650616S

(12) **United States Design Patent**
Piretti

(10) **Patent No.:** **US D650,616 S**

(45) **Date of Patent:** **** Dec. 20, 2011**

- (54) **NESTING CHAIR**
- (75) Inventor: **Giancarlo Piretti**, Bologna (IT)
- (73) Assignee: **Pro-Cord S.p.A.**, Bologna (IT)
- (**) Term: **14 Years**
- (21) Appl. No.: **29/354,223**
- (22) Filed: **Jan. 21, 2010**
- (51) **LOC (9) Cl.** **06-01**
- (52) **U.S. Cl.** **D6/500**
- (58) **Field of Classification Search** D6/334-336,
D6/360-369, 373-380, 498, 500-502, 601;
297/284.4-284.5, 291, 297-299, 300.4, 301.3,
297/354.1, 411.2, 411.27-411.29, 452.13,
297/452.19, 452.21, 452.29, 452.3, 452.56,
297/452.64
See application file for complete search history.

- D446,037 S 8/2001 Koepke et al.
- D451,693 S 12/2001 Pearce et al.
- D455,570 S 4/2002 Kita
- D457,739 S 5/2002 Pearce et al.
- 6,412,869 B1 7/2002 Pearce
- 6,669,301 B1 12/2003 Funk et al.
- 6,679,553 B2 * 1/2004 Battey et al. 297/300.4
- D508,338 S * 8/2005 Ambasz D6/373
- D509,671 S 9/2005 Olson et al.
- D509,969 S 9/2005 Loew et al.
- D513,457 S * 1/2006 Asano et al. D6/380
- D513,670 S * 1/2006 Yamagata D6/380
- D515,331 S 2/2006 Piretti

(Continued)

Primary Examiner — Ricky Pham

(74) *Attorney, Agent, or Firm* — Andrus, Scales, Starke & Sawall, LLP

(57) **CLAIM**

The ornamental design for a nesting chair, as shown and described.

(56) **References Cited**

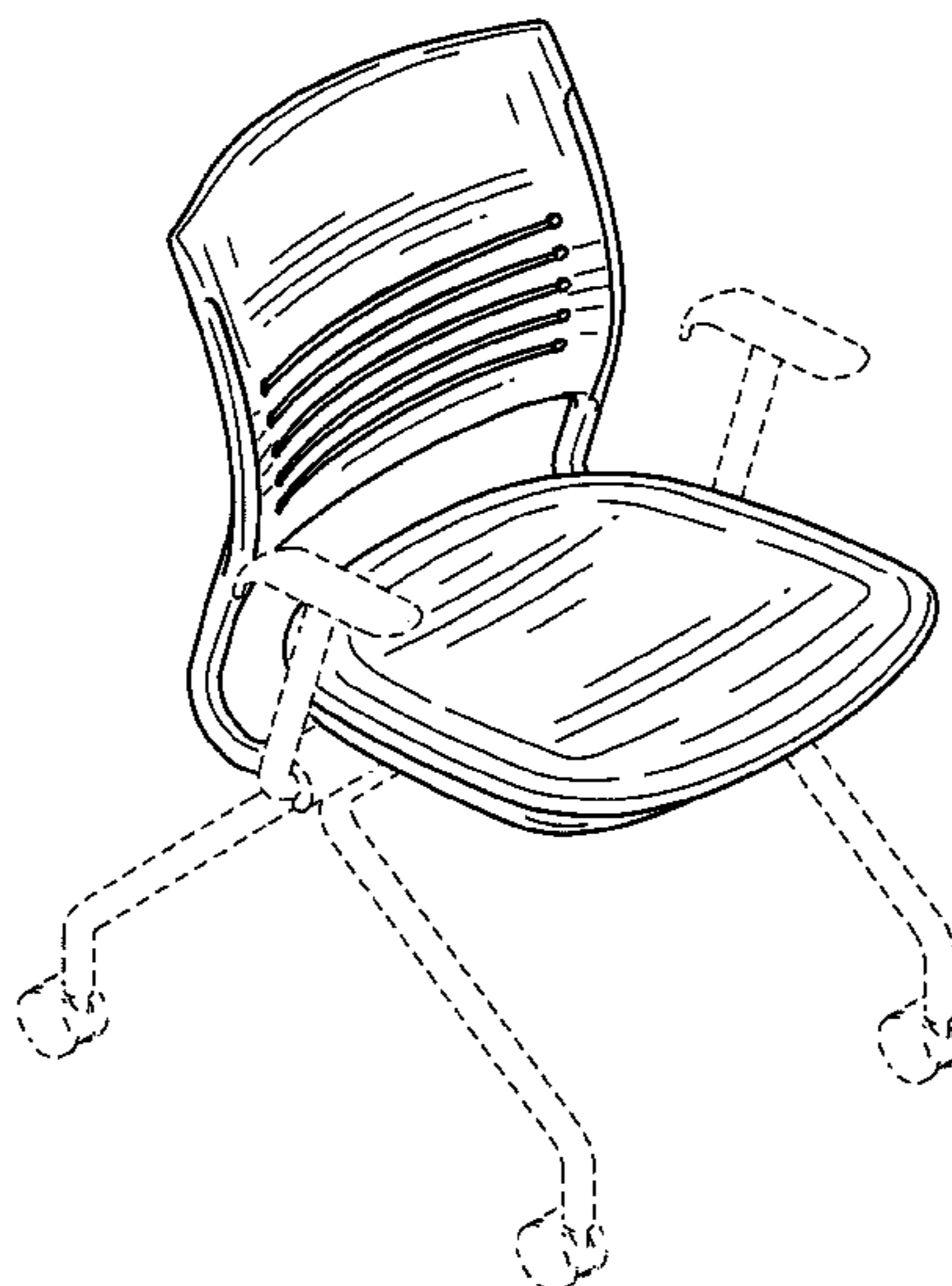
U.S. PATENT DOCUMENTS

- 3,111,344 A 11/1963 Hoven et al.
- D202,264 S 9/1965 Albinson
- D214,315 S 6/1969 Bartholomew
- D272,587 S 2/1984 Pamberg
- D274,771 S 7/1984 Ambasz et al.
- D284,048 S 6/1986 Ambasz et al.
- D289,120 S 4/1987 Chadwick et al.
- D292,149 S 10/1987 Monesi
- 4,733,910 A 3/1988 Brennan
- D298,390 S 11/1988 Bellini
- D299,192 S 1/1989 Chadwick et al.
- D300,885 S 5/1989 Ochsner
- D305,285 S 1/1990 Piretti
- D352,183 S 11/1994 Sheridan
- D370,360 S 6/1996 Fewchuk
- D374,561 S 10/1996 Meijer
- D378,553 S 3/1997 Newhouse
- D385,425 S 10/1997 Goetz
- D390,024 S * 2/1998 DeJule D6/373
- D417,970 S 12/1999 Duffy et al.
- D433,578 S 11/2000 Saul
- D436,751 S 1/2001 Schacht

DESCRIPTION

FIG. 1 is an isometric view of a nesting chair incorporating the new design;
 FIG. 2 is a right side elevation view thereof, wherein the left side elevation view is a mirror image;
 FIG. 3 is a front elevation view thereof;
 FIG. 4 is a rear elevation view thereof;
 FIG. 5 is a top plan view thereof;
 FIG. 6 is an isometric view of another embodiment of a nesting chair incorporating the new design;
 FIG. 7 is a right side elevation view thereof, wherein the left side elevation view is a mirror image;
 FIG. 8 is a front elevation view thereof;
 FIG. 9 is a rear elevation view thereof; and,
 FIG. 10 is a top plan view thereof.
 The broken lines in the drawing views are included for purposes of illustrating portions of the nesting chair that form no part of the claimed design.

1 Claim, 6 Drawing Sheets



US D650,616 S

Page 2

U.S. PATENT DOCUMENTS

D518,304 S *	4/2006	Crescenti	D6/373	D609,487 S *	2/2010	Kumazawa	D6/373
7,118,177 B2	10/2006	Piretti		D609,488 S *	2/2010	Kumazawa	D6/373
D540,559 S	4/2007	Neil		7,686,395 B2 *	3/2010	Piretti	297/297
D541,067 S *	4/2007	Lin	D6/373	7,686,399 B2 *	3/2010	Heidmann et al.	297/354.1
D546,574 S *	7/2007	Kaloustian	D6/374	D617,568 S *	6/2010	Kumazawa	D6/373
7,237,841 B2 *	7/2007	Norman et al.	297/301.3	RE42,027 E *	1/2011	Kumazawa	D6/373
D564,264 S *	3/2008	Smith et al.	D6/500	D637,838 S *	5/2011	Piretti	D6/500
D587,027 S *	2/2009	Igarashi	D6/380	D637,839 S *	5/2011	Piretti	D6/500
D594,669 S *	6/2009	Asano	D6/376	D638,230 S *	5/2011	Roy	D6/366
D599,129 S *	9/2009	Opsvik	D6/380	D638,232 S *	5/2011	Roy	D6/376
D600,052 S *	9/2009	Smith et al.	D6/502	D638,641 S *	5/2011	Piretti	D6/500
D600,465 S *	9/2009	Kumazawa	D6/373	D642,819 S *	8/2011	Piretti	D6/379
D600,936 S *	9/2009	Koh	D6/376	D643,652 S *	8/2011	Piretti	D6/500
D600,953 S *	9/2009	Kumazawa	D6/502	D643,653 S *	8/2011	Piretti	D6/500
D600,954 S *	9/2009	Kumazawa	D6/502	D643,654 S *	8/2011	Piretti	D6/500
D606,771 S *	12/2009	Chadwick	D6/373	2003/0164635 A1 *	9/2003	Bathey et al.	297/299
D607,654 S *	1/2010	Fewchuk	D6/374				

* cited by examiner

FIG. 1

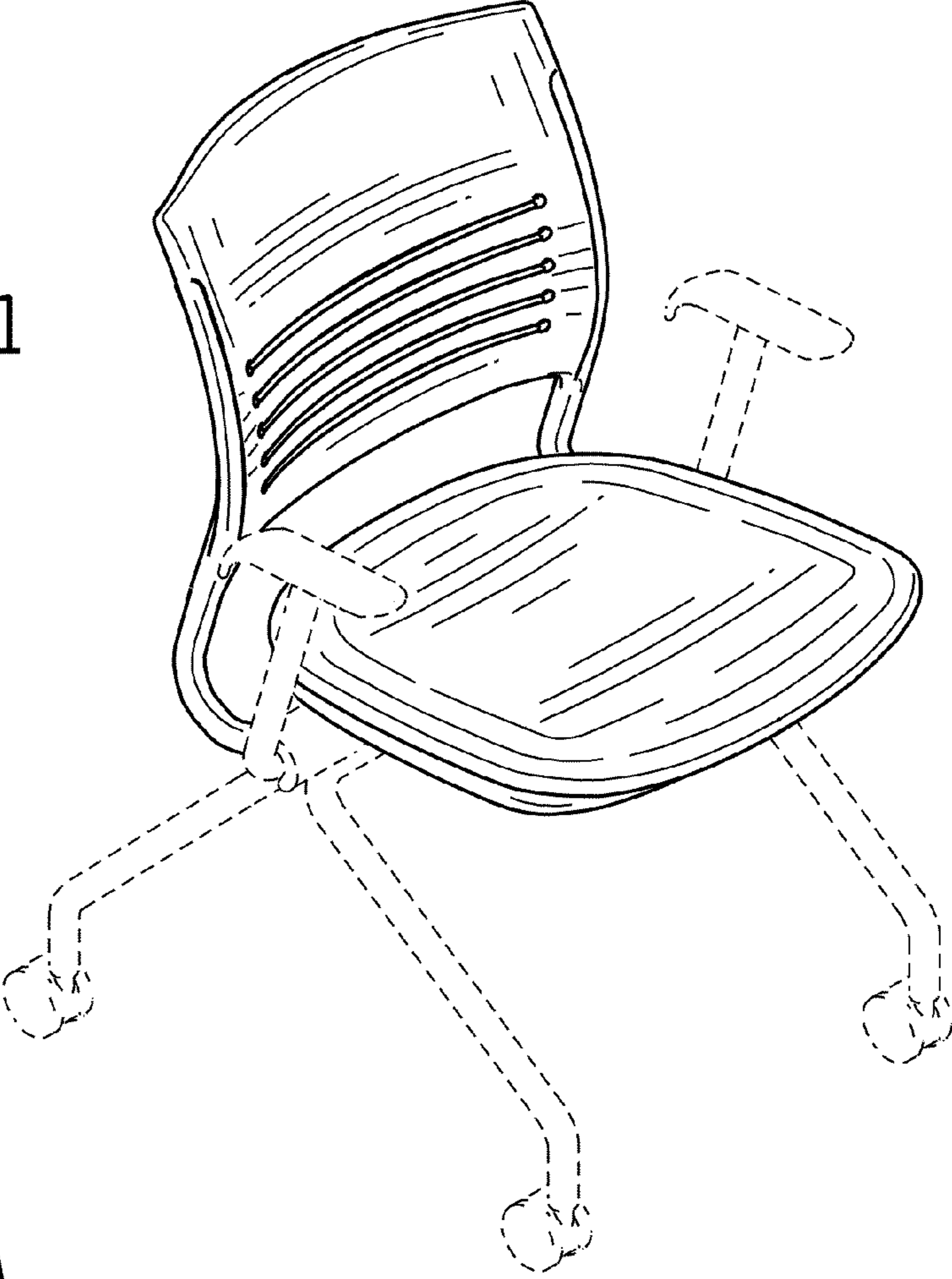
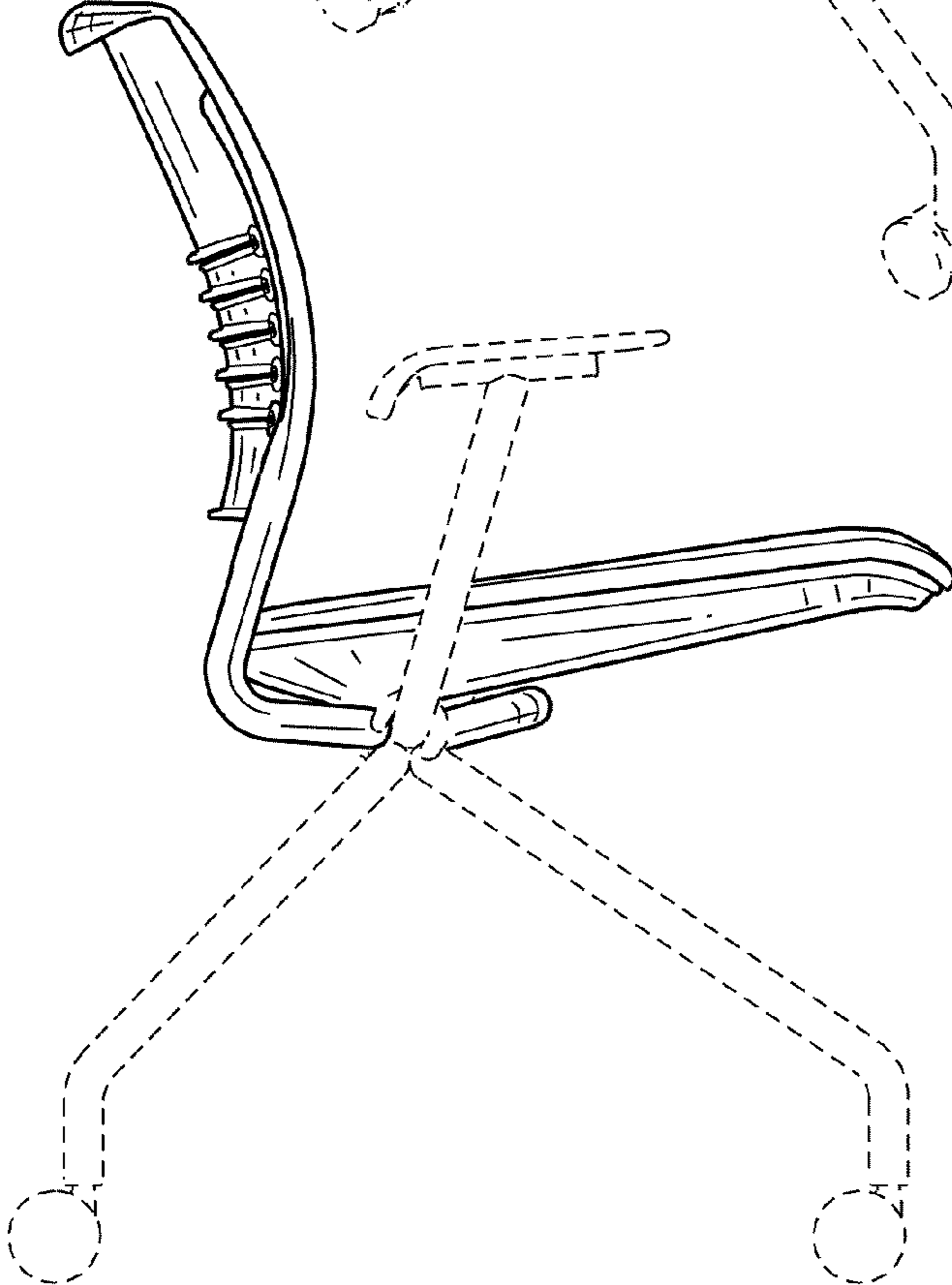


FIG. 2



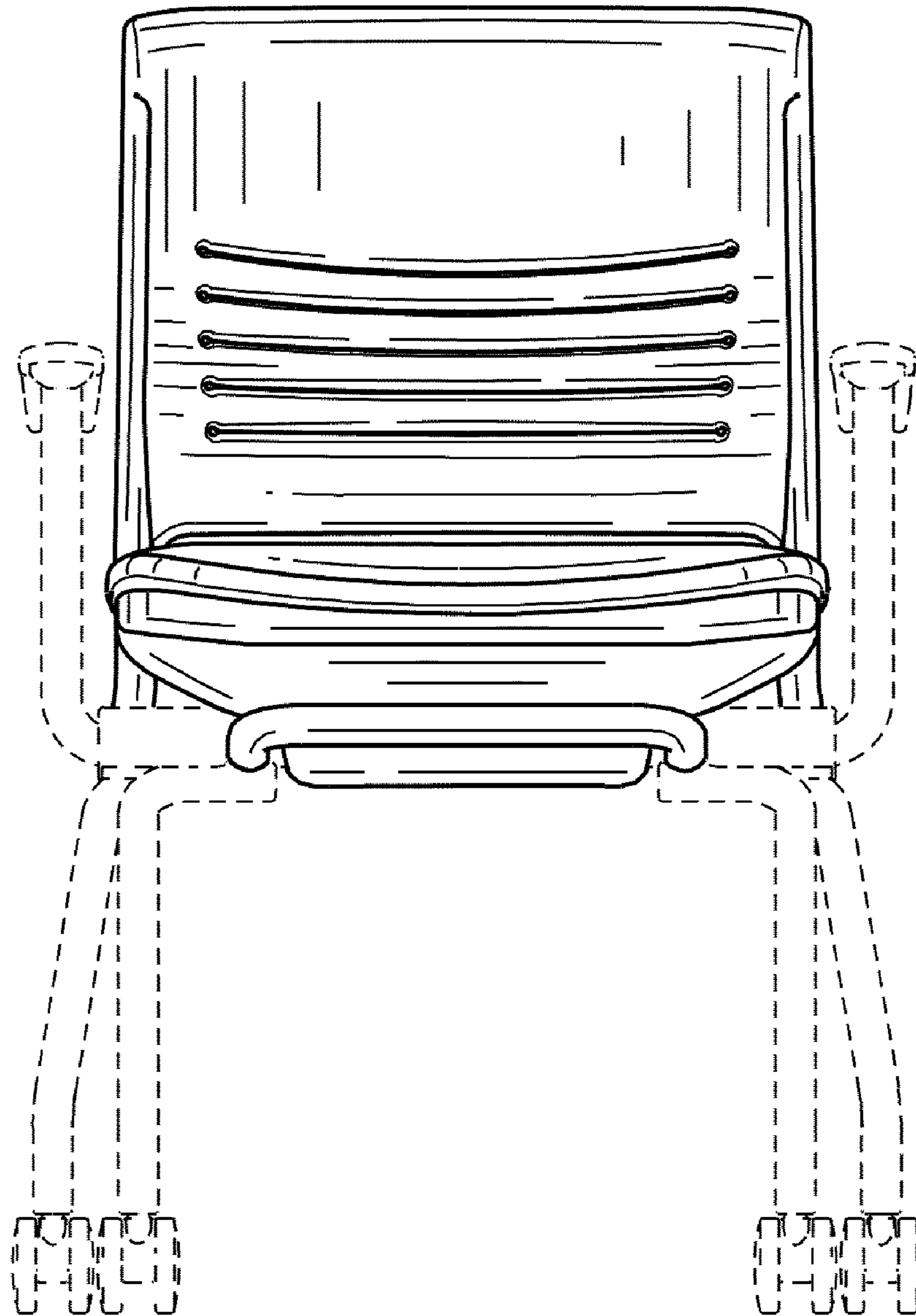


FIG. 3

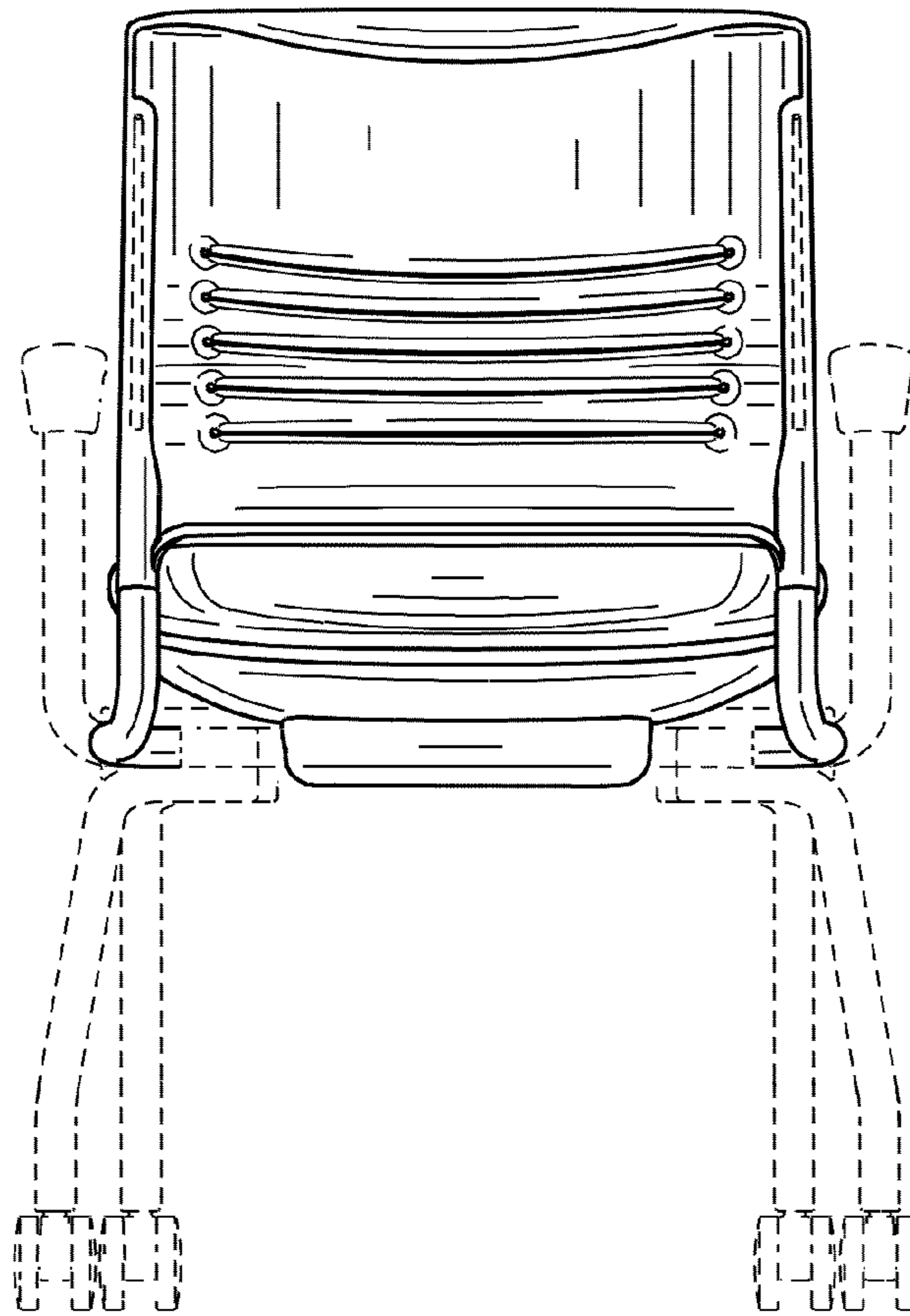


FIG. 4

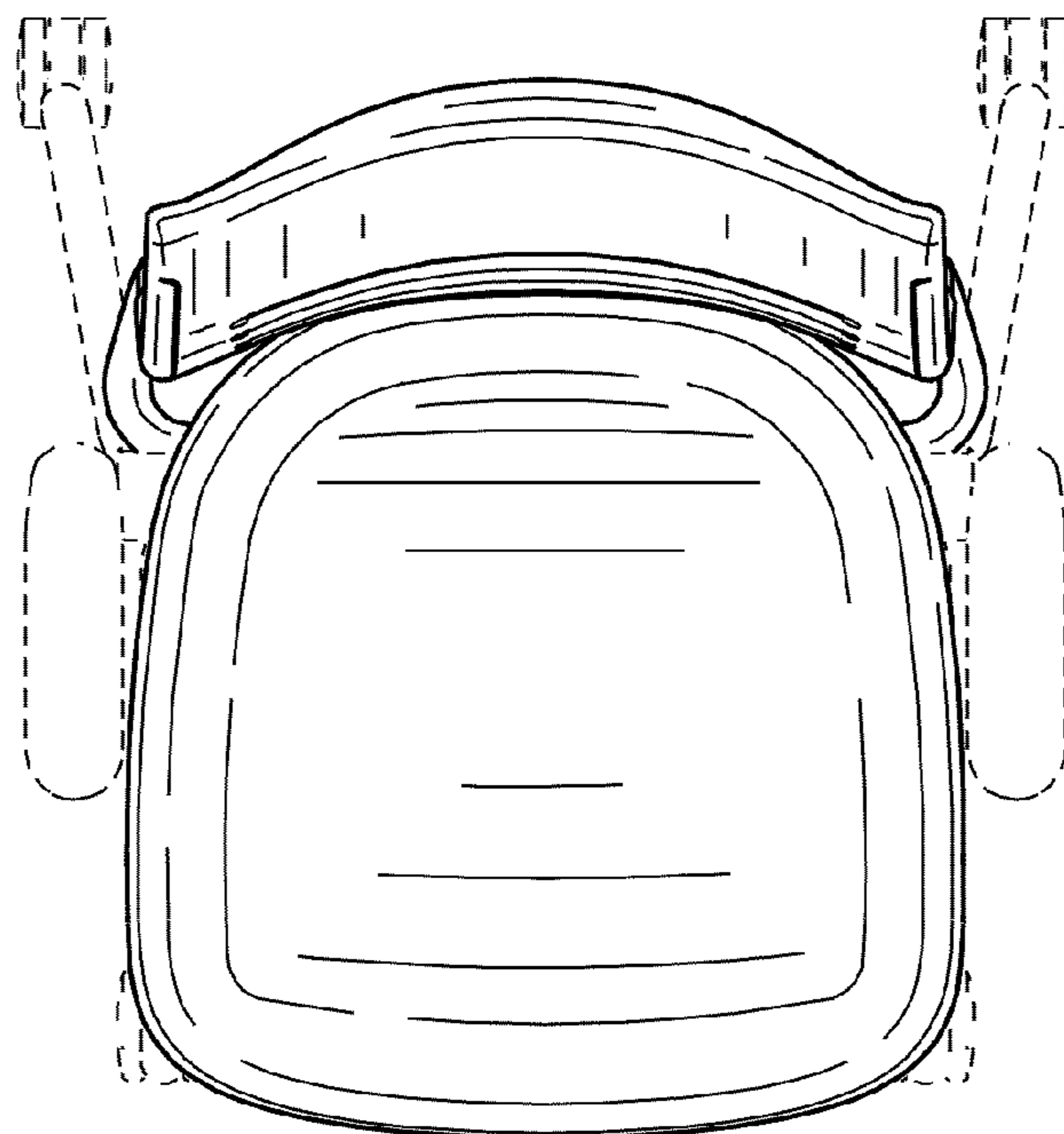


FIG. 5

FIG. 6

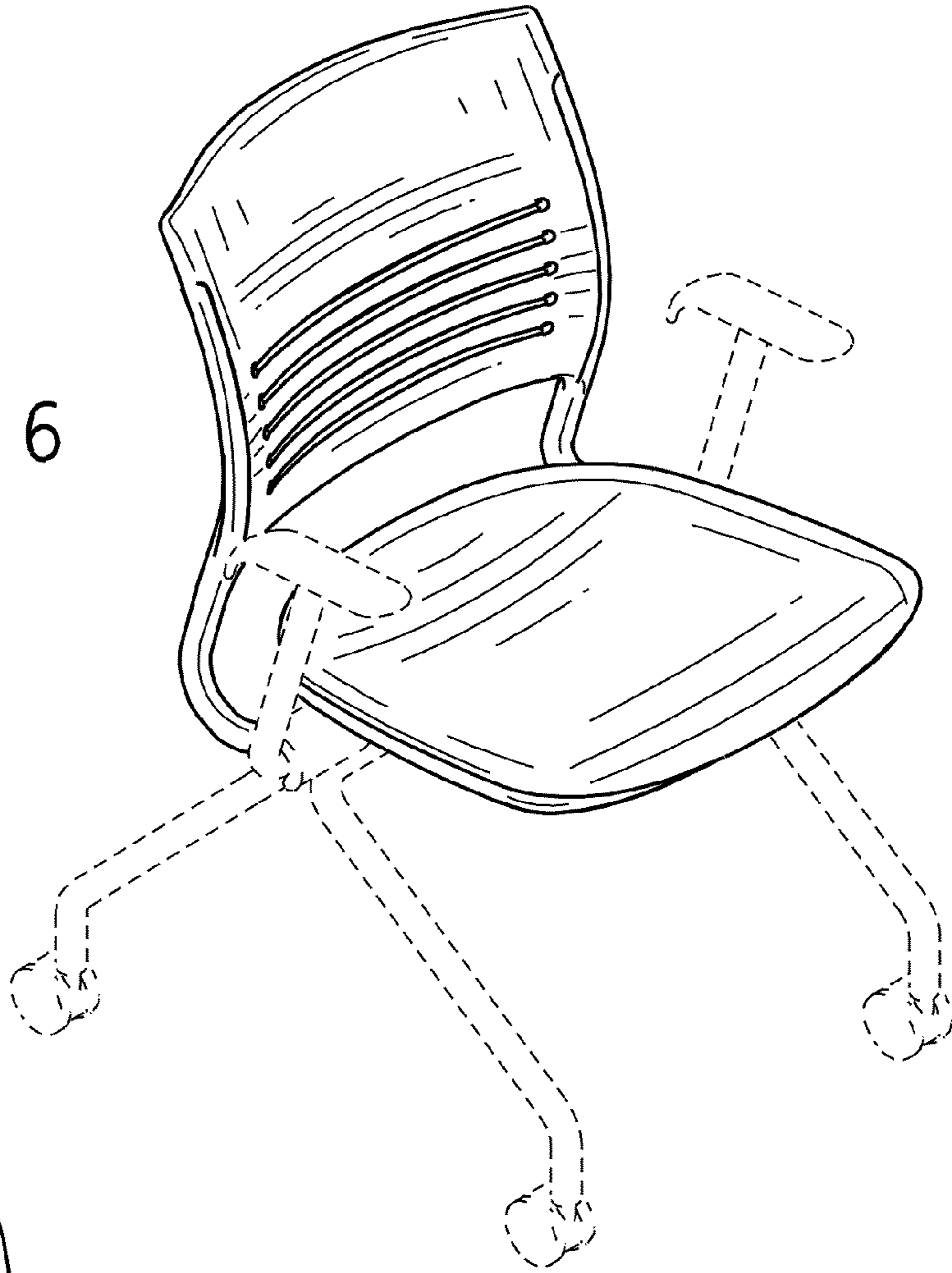
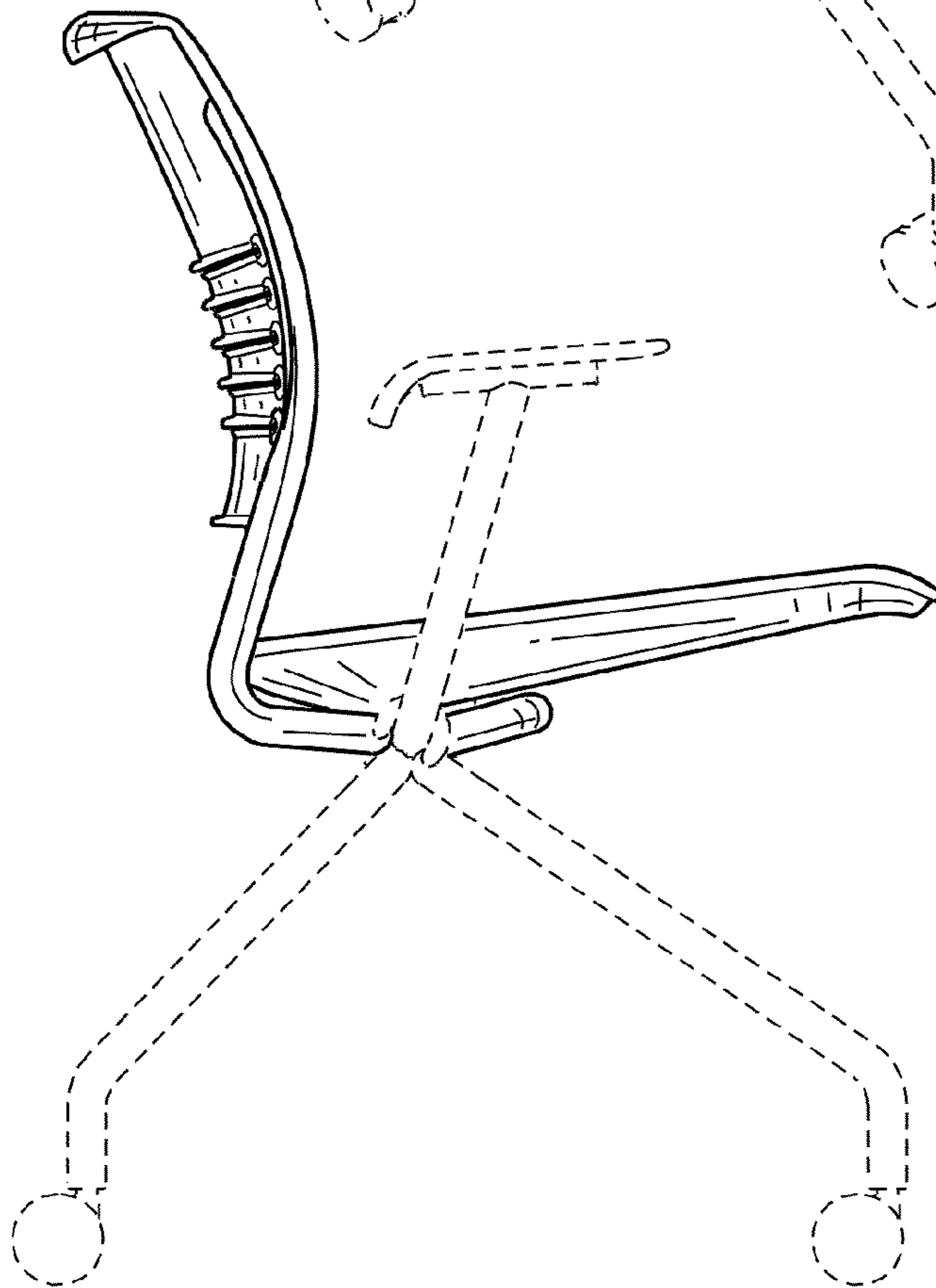


FIG. 7



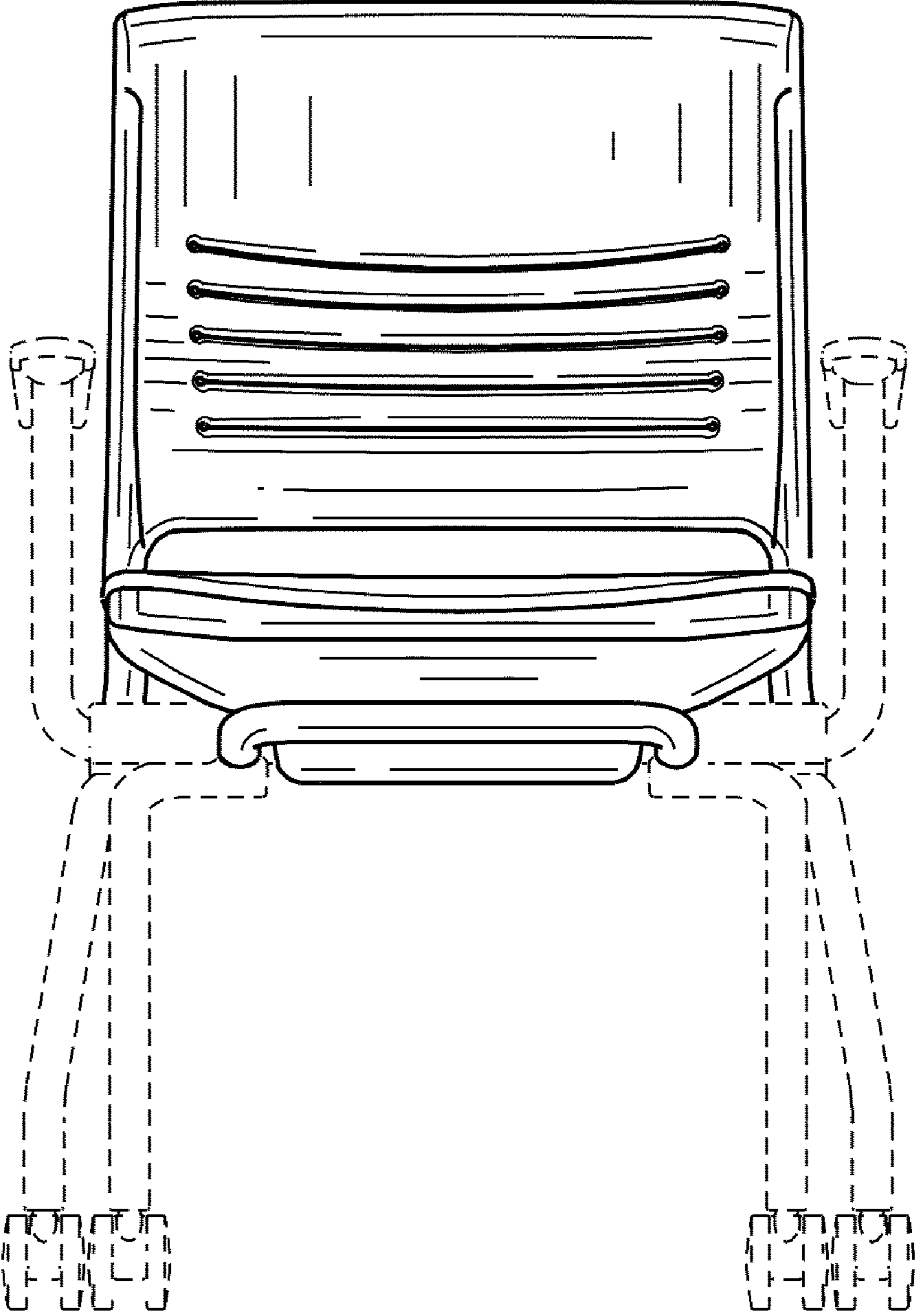


FIG. 8

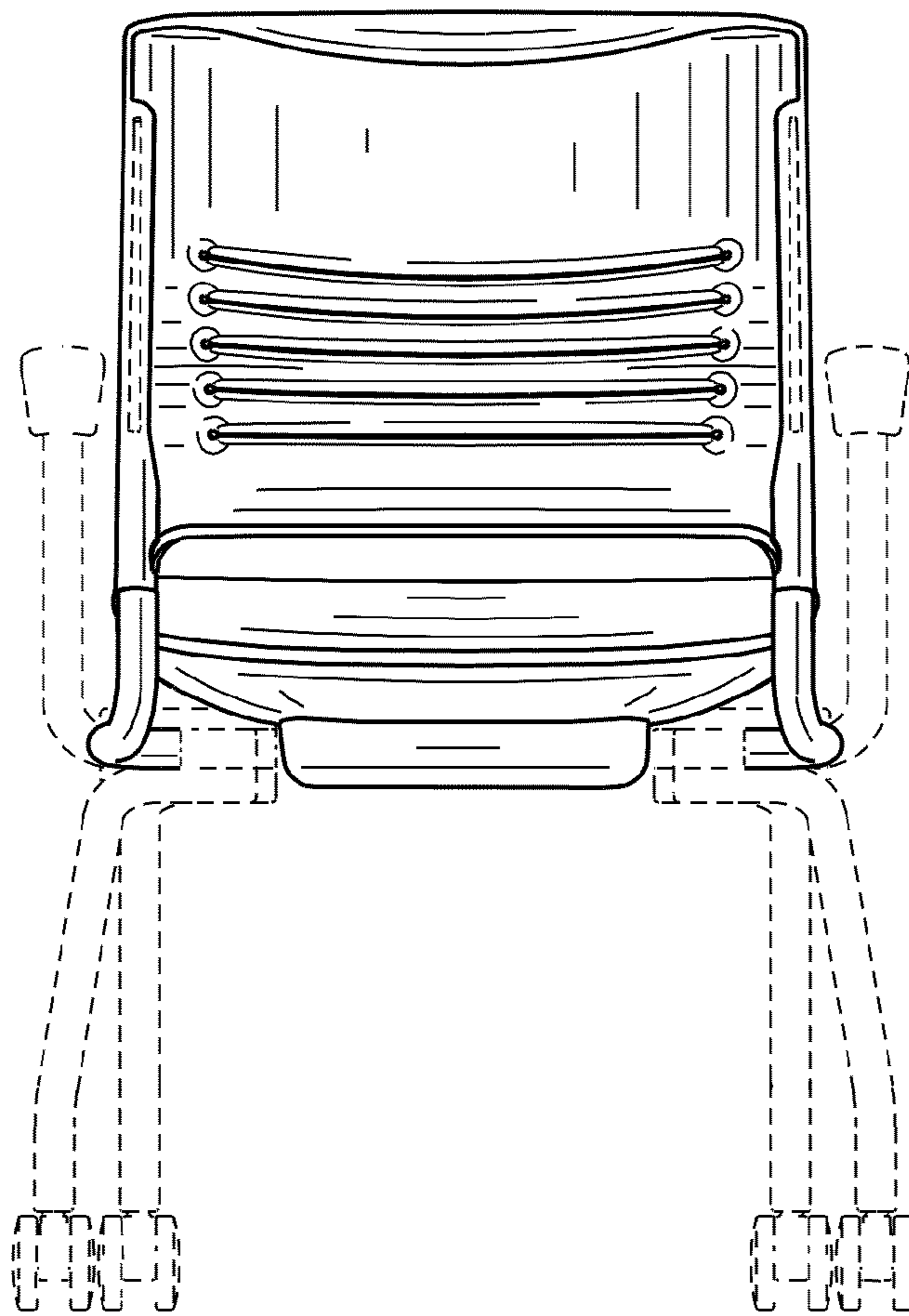


FIG. 9

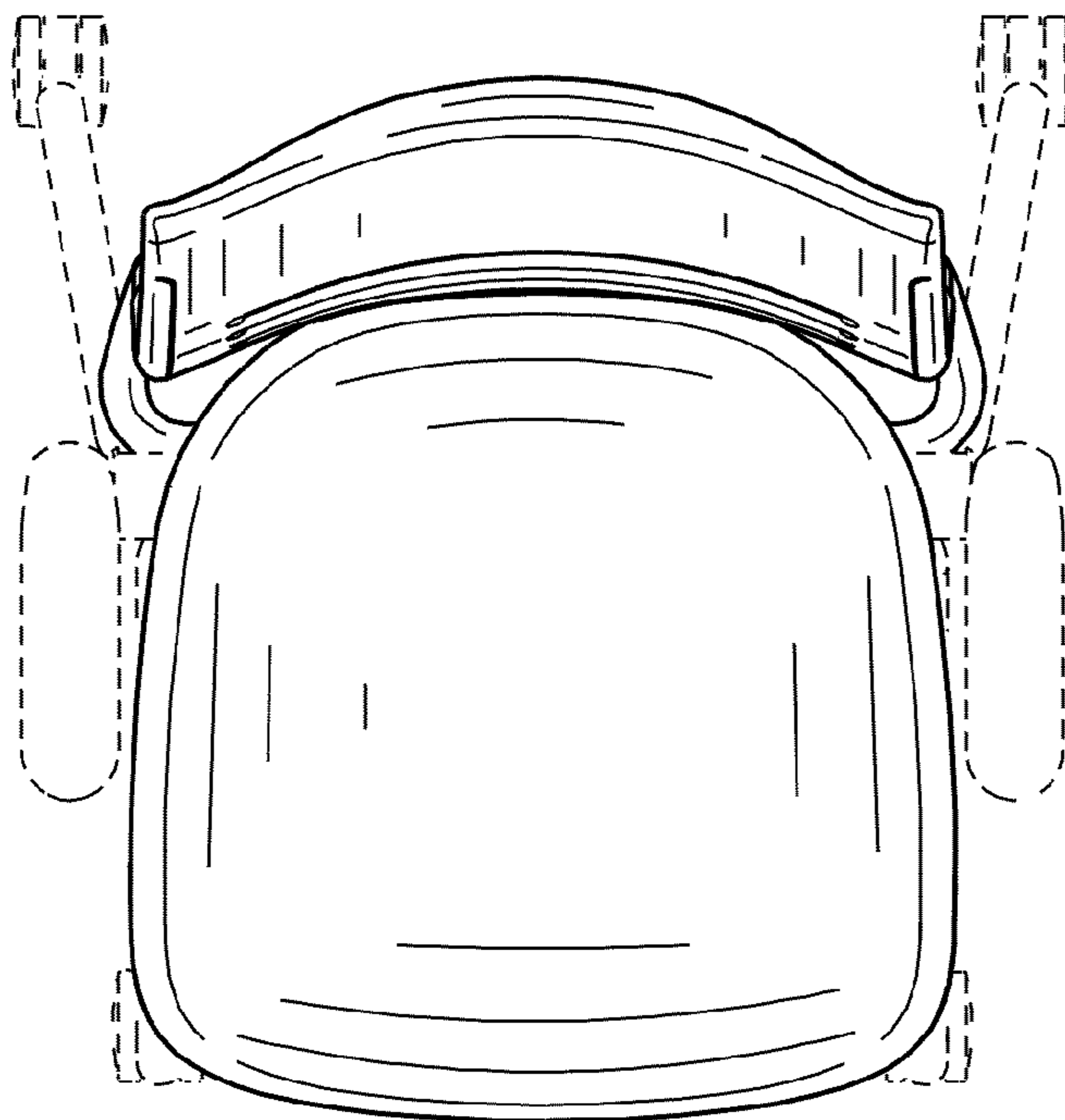


FIG. 10