



US00D650615S

(12) **United States Design Patent**
Hazzard

(10) **Patent No.:** **US D650,615 S**

(45) **Date of Patent:** **** Dec. 20, 2011**

(54) **CHAIR BASE**

6,955,402 B2 * 10/2005 VanDeRiet et al. 297/452.56
D524,582 S * 7/2006 Tsai D6/498
D601,827 S * 10/2009 Parker et al. D6/498

(75) Inventor: **Tracy Leigh Hazzard**, Ladera Ranch,
CA (US)

* cited by examiner

(73) Assignee: **Whalen Furniture Manufacturing, Inc.**, San Diego, CA (US)

Primary Examiner — Brian N Vinson

(74) *Attorney, Agent, or Firm* — Barlow, Josephs & Holmes, Ltd.

(**) Term: **14 Years**

(57) **CLAIM**

The ornamental design for chair base, as shown and described.

(21) Appl. No.: **29/365,905**

(22) Filed: **Jul. 16, 2010**

DESCRIPTION

(51) **LOC (9) Cl.** **06-01**

(52) **U.S. Cl.** **D6/498; D6/500**

(58) **Field of Classification Search** D6/334-336,
D6/364, 365, 366, 367, 498, 500-502; 248/188.7;
297/344.18, 358, 411.2, 411.27, 411.28,
297/463.1

See application file for complete search history.

FIG. 1 is a front perspective view of the chair base in accordance with the present invention;
FIG. 2 is a front view thereof;
FIG. 3 is a rear view thereof;
FIG. 4 is a left side view thereof;
FIG. 5 is a right side view thereof;
FIG. 6 is a top view thereof;
FIG. 7 is a bottom view thereof; and,
FIG. 8 is another perspective view thereof showing a chair in broken line.

The portions of the design shown in broken line are present for illustrative purposes only and form no part of the claimed design.

(56) **References Cited**

U.S. PATENT DOCUMENTS

D366,377 S * 1/1996 Perl D6/498
D467,452 S * 12/2002 Lee D6/498
D495,537 S * 9/2004 Fu D6/498
6,910,741 B2 * 6/2005 Footitt 297/452.29

1 Claim, 5 Drawing Sheets



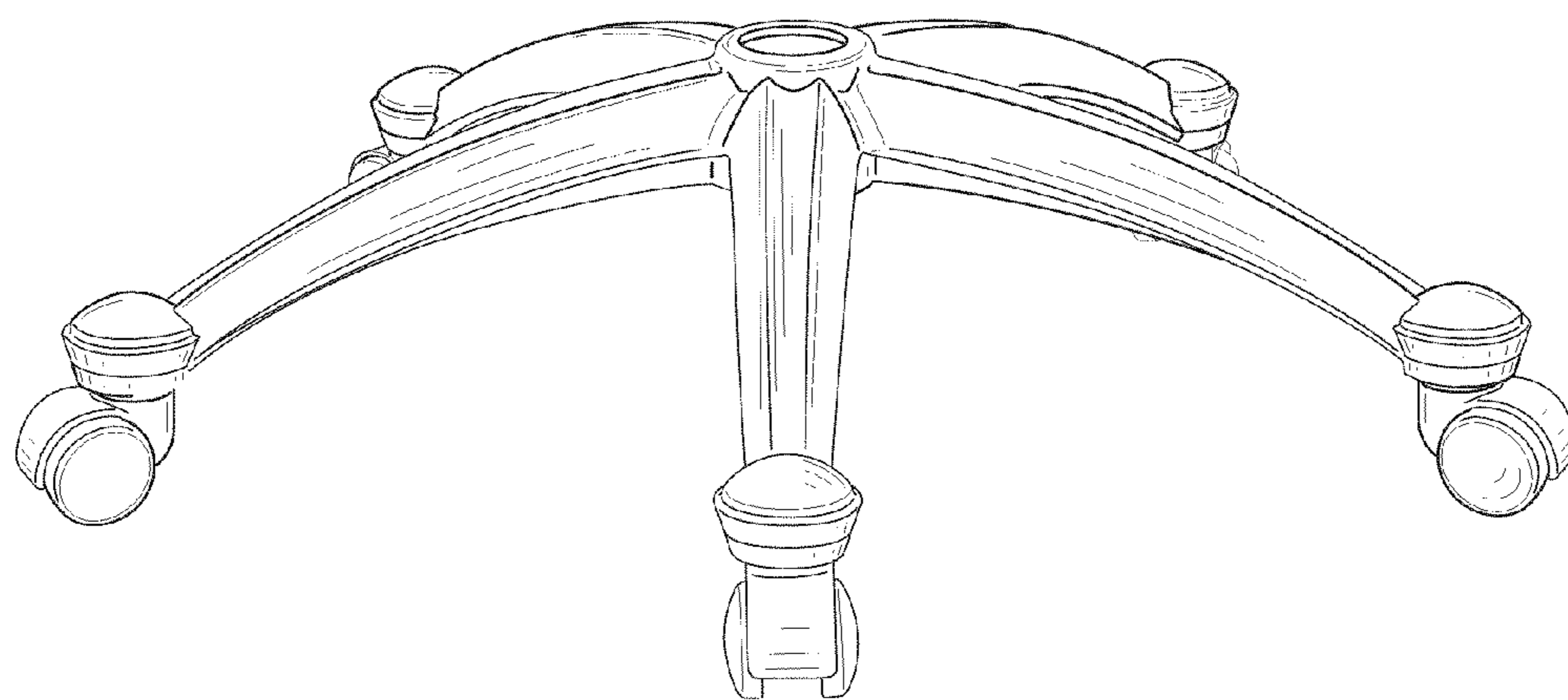


FIG. 1

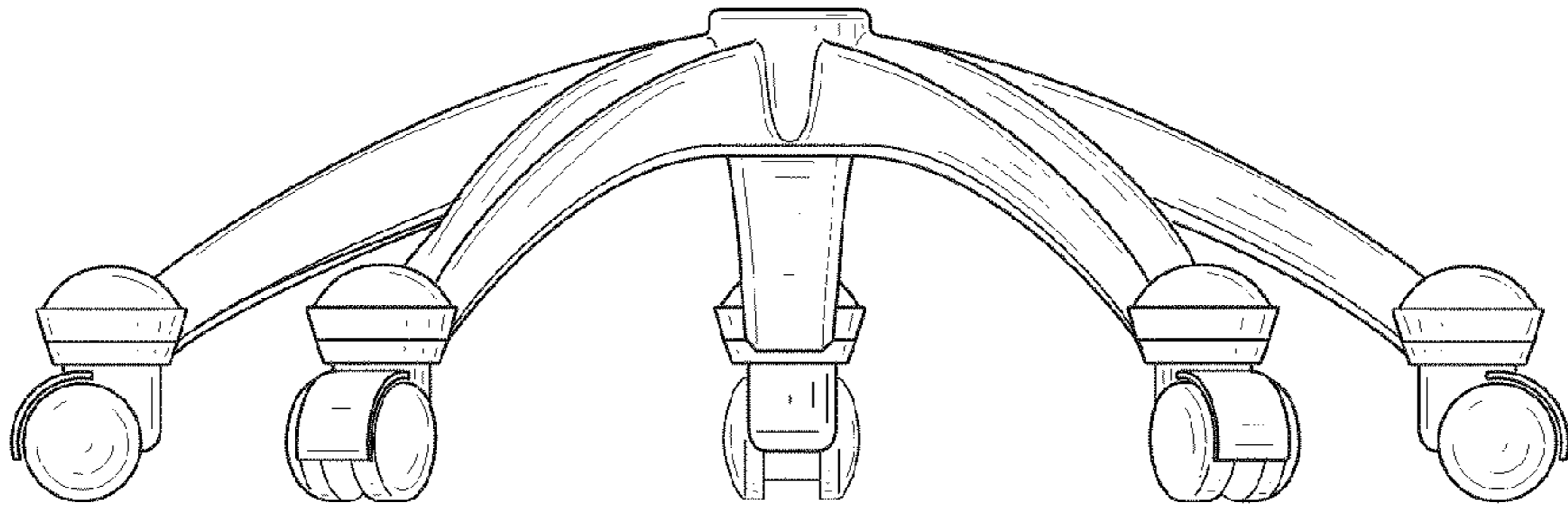


FIG. 2

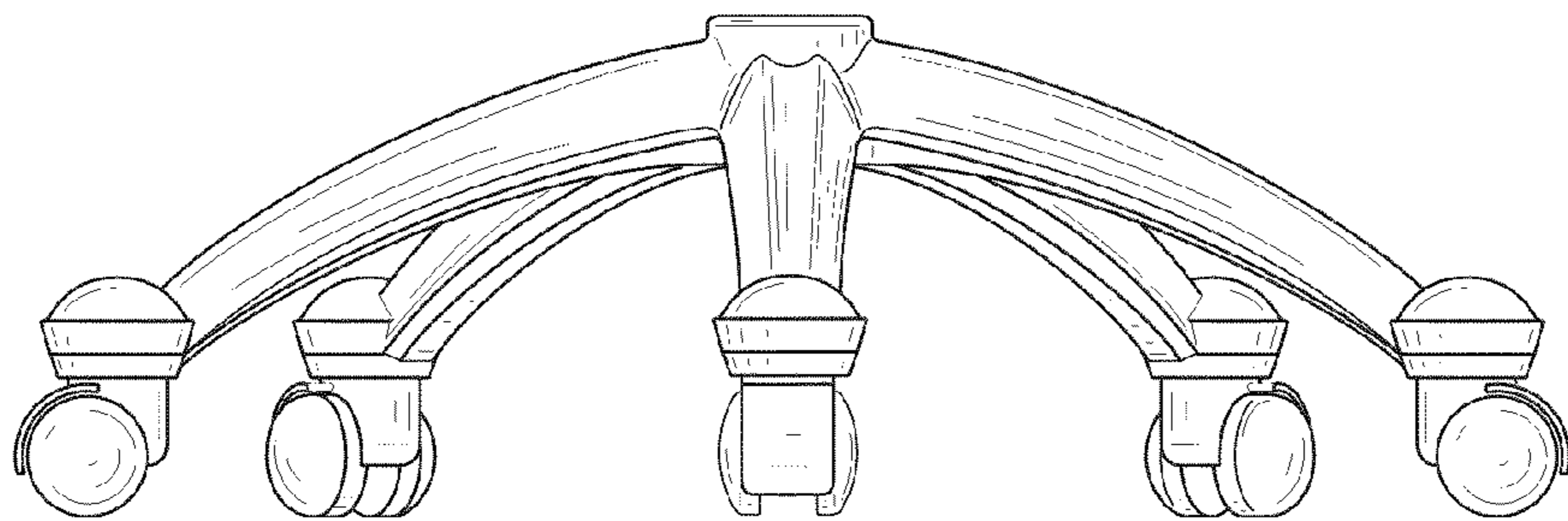


FIG. 3

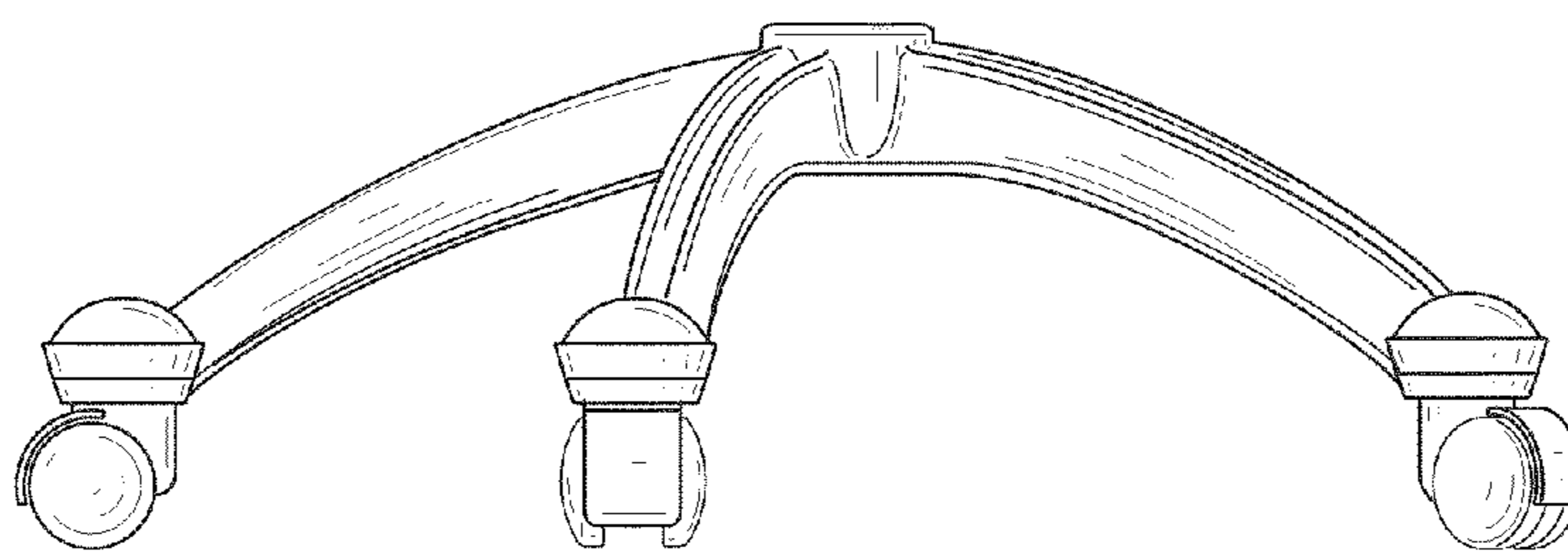


FIG. 4

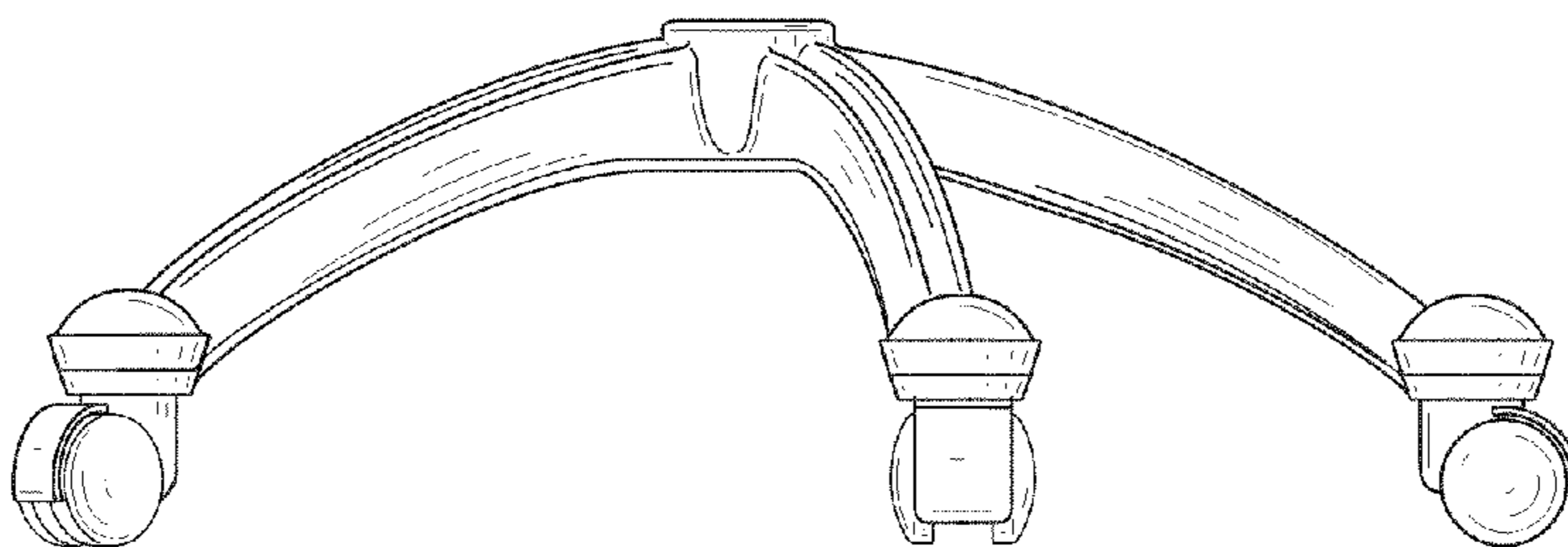


FIG. 5

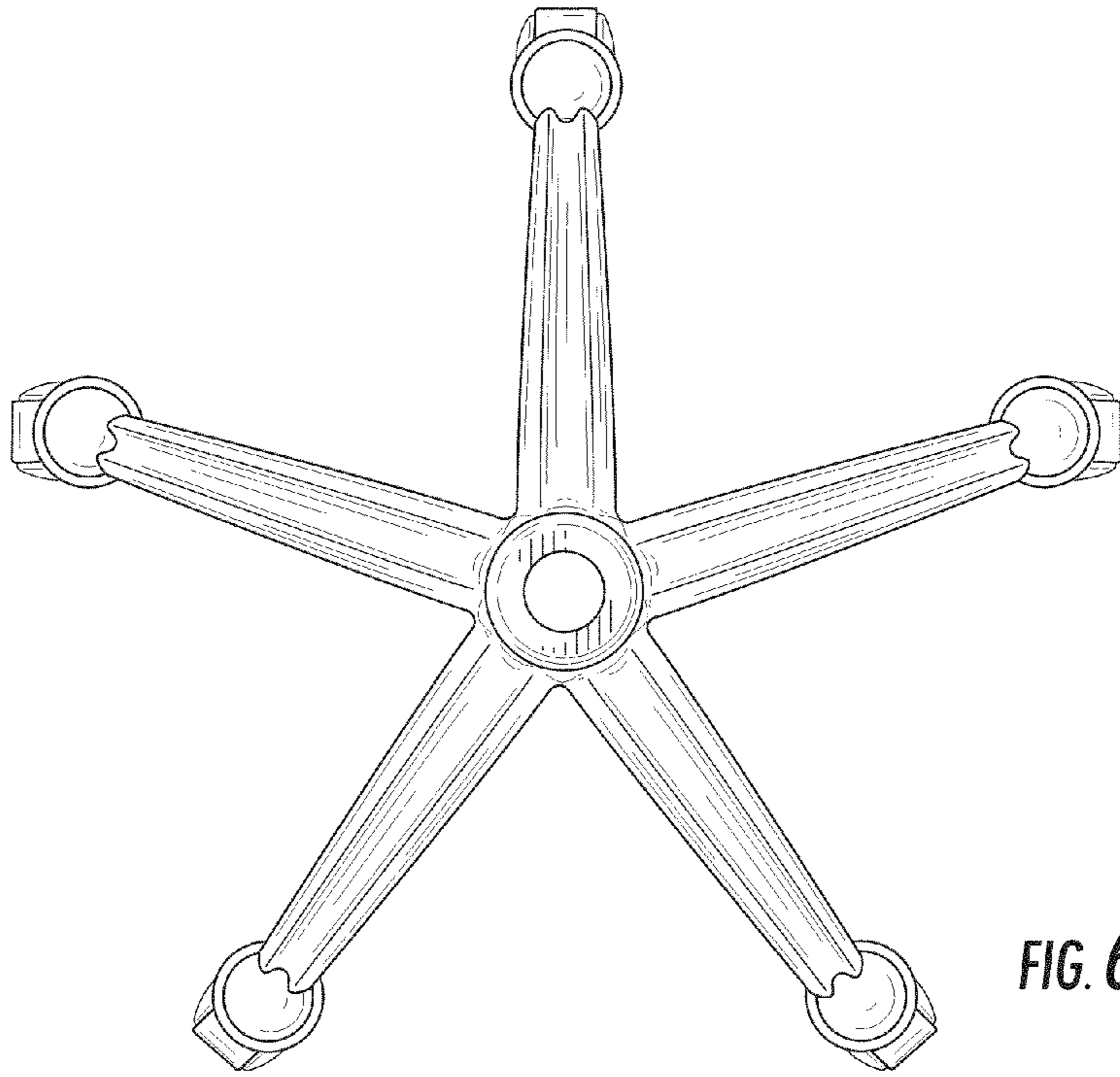


FIG. 6

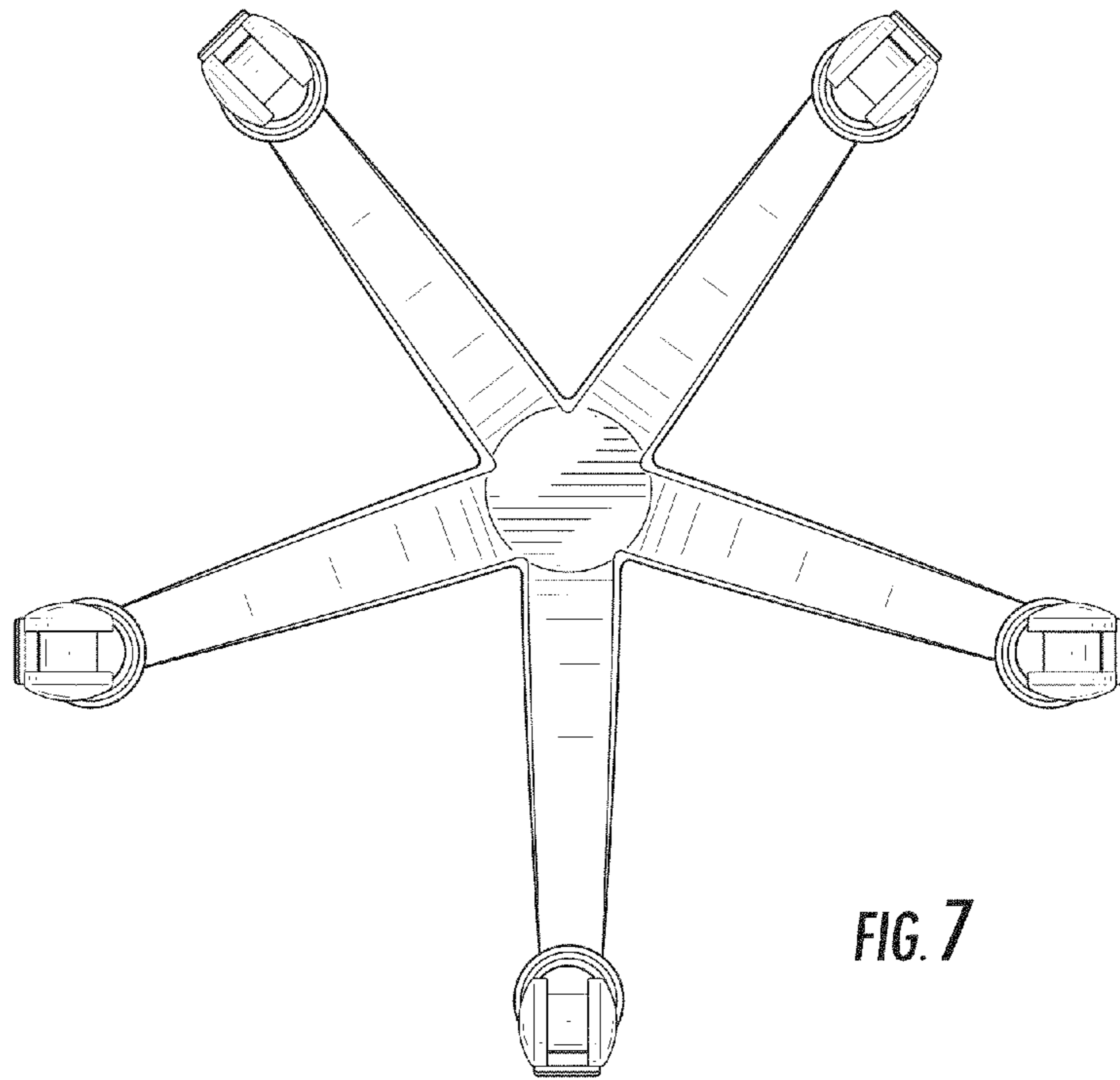


FIG. 7



FIG. 8