



US00D650614S

(12) **United States Design Patent**
Martin et al.

(10) **Patent No.:** **US D650,614 S**

(45) **Date of Patent:** **** Dec. 20, 2011**

(54) **PORTION OF A WORKSPACE**
(75) Inventors: **Kirt Martin**, Alto, MI (US); **David Eberlein**, Hudsonville, MI (US)
(73) Assignee: **Steelcase Inc.**, Grand Rapids, MI (US)

D322,133 S 12/1991 Corneau et al.
5,078,055 A 1/1992 Bellini et al.
5,103,741 A 4/1992 Grund et al.
5,220,871 A 6/1993 Grund et al.
5,322,022 A 6/1994 Burkholder
5,323,695 A 6/1994 Borgman et al.
5,341,749 A 8/1994 Noakes

(Continued)

(**) Term: **14 Years**

FOREIGN PATENT DOCUMENTS

(21) Appl. No.: **29/362,958**

DE 19733435 4/1999

(Continued)

(22) Filed: **Jun. 2, 2010**

(51) **LOC (9) Cl.** **06-03**

(52) **U.S. Cl.** **D6/495**

(58) **Field of Classification Search** D6/480-489,
D6/429-431, 495-499.422, 423; 108/150,
108/155, 156, 157.1, 161; 248/188, 188.1,
248/188.8

OTHER PUBLICATIONS

U.S. Patent Office Notice of Allowance for U.S. Appl. No. 29/362,943, dated May 18, 2011.

(Continued)

See application file for complete search history.

Primary Examiner — Janice Seeger

(74) *Attorney, Agent, or Firm* — Quarles & Brady LLP

(56) **References Cited**

U.S. PATENT DOCUMENTS

543,053 A 7/1895 Ripking
0,983,903 A 2/1911 Horton
2,110,466 A 3/1938 Louis
2,903,316 A * 9/1959 Schmidt 312/140.4
3,170,742 A 2/1965 Berkowitz
D210,606 S 3/1968 Hamilton
3,570,682 A 3/1971 Elliott
D221,238 S 7/1971 Gianfagna
3,680,942 A 8/1972 Davis
3,827,377 A 8/1974 Aughtry, Jr.
3,892,189 A 7/1975 Killam
3,913,498 A 10/1975 Hall et al.
4,138,952 A 2/1979 Hodson
4,297,952 A 11/1981 Zagaroli
4,422,385 A 12/1983 Rutsche et al.
4,645,161 A * 2/1987 Collins 248/439
4,734,826 A 3/1988 Wilson
4,761,931 A 8/1988 Schrunk
4,762,072 A 8/1988 Boundy et al.
4,951,782 A 8/1990 Hanson
D312,541 S 12/1990 Wright

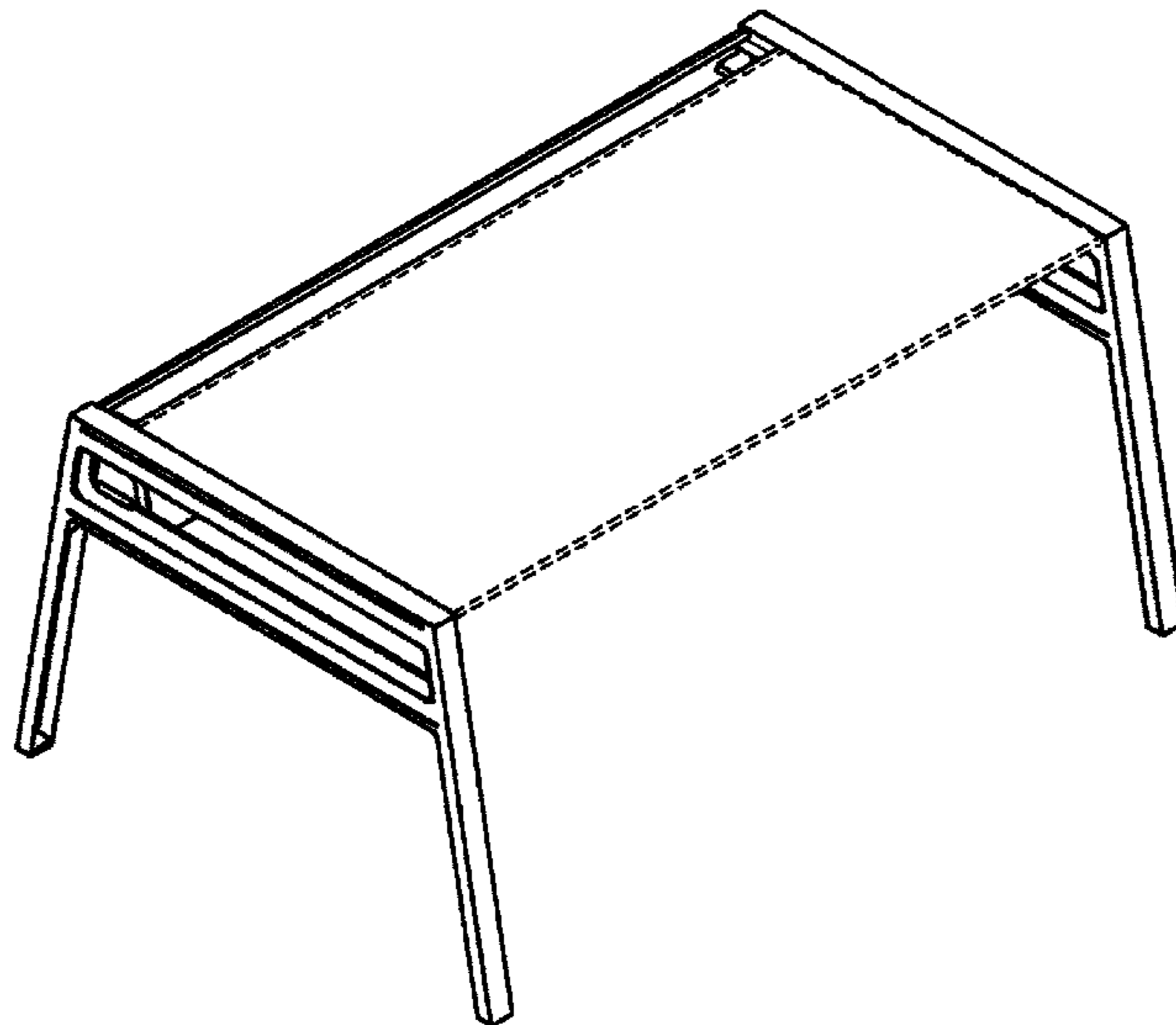
(57) **CLAIM**

The ornamental design for a portion of a workspace, as shown and described.

DESCRIPTION

FIG. 1 is a left, top, front perspective view of a portion of a workspace embodying our new design;
FIG. 2 is a top plan view thereof;
FIG. 3 is a left side elevational view thereof, the right side elevational view thereof being a mirror image of the left side shown;
FIG. 4 is a front elevational view thereof;
FIG. 5 is a rear elevational view thereof; and,
FIG. 6 is bottom plan view thereof.
The broken line representations in the figures are for the purpose of illustration only, and form no part of the claimed design.

1 Claim, 4 Drawing Sheets



US D650,614 S

Page 2

U.S. PATENT DOCUMENTS

5,469,794 A 11/1995 Laderoute et al.
D371,703 S 7/1996 Muller-Deisig et al.
D379,278 S 5/1997 Zeinfeld et al.
D379,887 S 6/1997 Muller-Deisig et al.
5,662,298 A 9/1997 Collins
5,754,995 A 5/1998 Behrendt
5,881,500 A 3/1999 Latino et al.
6,000,343 A 12/1999 Laney
6,059,071 A 5/2000 Appezzato
6,129,180 A 10/2000 Brady
6,161,486 A 12/2000 Boots
6,283,043 B1 9/2001 Stern et al.
6,302,035 B1 10/2001 Frenkler et al.
6,336,414 B1 1/2002 Stewart et al.
D460,639 S 7/2002 Crinion
D467,453 S 12/2002 Kwon
6,725,784 B2 4/2004 Grinion
D510,492 S * 10/2005 Sakurai et al. D6/495
D526,811 S * 8/2006 Nicoletti D6/421
7,370,097 B2 5/2008 Leong
D585,218 S 1/2009 Hamilton et al.
D604,063 S 11/2009 Oshinomi et al.
7,703,398 B2 4/2010 Brauning
D641,186 S 7/2011 Martin et al.
2005/0115768 A1 6/2005 Frey
2005/0263041 A1 12/2005 Mueller et al.
2006/0042520 A1 3/2006 Stevens et al.
2006/0162626 A1 7/2006 Brauning et al.
2008/0224580 A1 9/2008 Gibbs et al.
2008/0295745 A1 12/2008 Hamilton et al.
2009/0042428 A1 2/2009 Henriott et al.

FOREIGN PATENT DOCUMENTS

JP 2004-275314 10/2004
WO WO 2004/021830 3/2004
WO 2005-001219 A2 1/2005

OTHER PUBLICATIONS

U.S. Appl. No. 29/362,944, filed Jun. 2, 2010.
U.S. Office Action (Election) for U.S. Appl. No. 29/362,944, dated Jun. 8, 2011.
Response to U.S. Office Action (Election) for U.S. Appl. No. 29/362,944, dated Aug. 8, 2011.
U.S. Appl. No. 29/362,948, filed Jun. 2, 2010.
U.S. Appl. No. 29/362,952, dated Jun. 2, 2010. .
U.S. Patent Office Non-Final Rejection for U.S. Appl. No. 29/362,952, dated Jul. 13, 2011.
Response to U.S. Patent Office Non-Final Rejection for U.S. Appl. No. 29/362,952, dated Aug. 26, 2011.
U.S. Appl. No. 29/362,955, filed Jun. 2, 2010.
U.S. Office Action (Election) for U.S. Appl. No. 29/362,955, dated Jun. 8, 2011.
Response to U.S. Office Action (Election) for U.S. Appl. No. 29/362,955, dated Aug. 8, 2011.
U.S. Appl. No. 29/362,963, filed Jun. 2, 2010.
U.S. Patent Office Non-Final Rejection for U.S. Appl. No. 29/362,963, dated Jul. 13, 2011.
Response to U.S. Patent Office Non-Final Rejection for U.S. Appl. No. 29/362,963, dated Aug. 30, 2011.

* cited by examiner

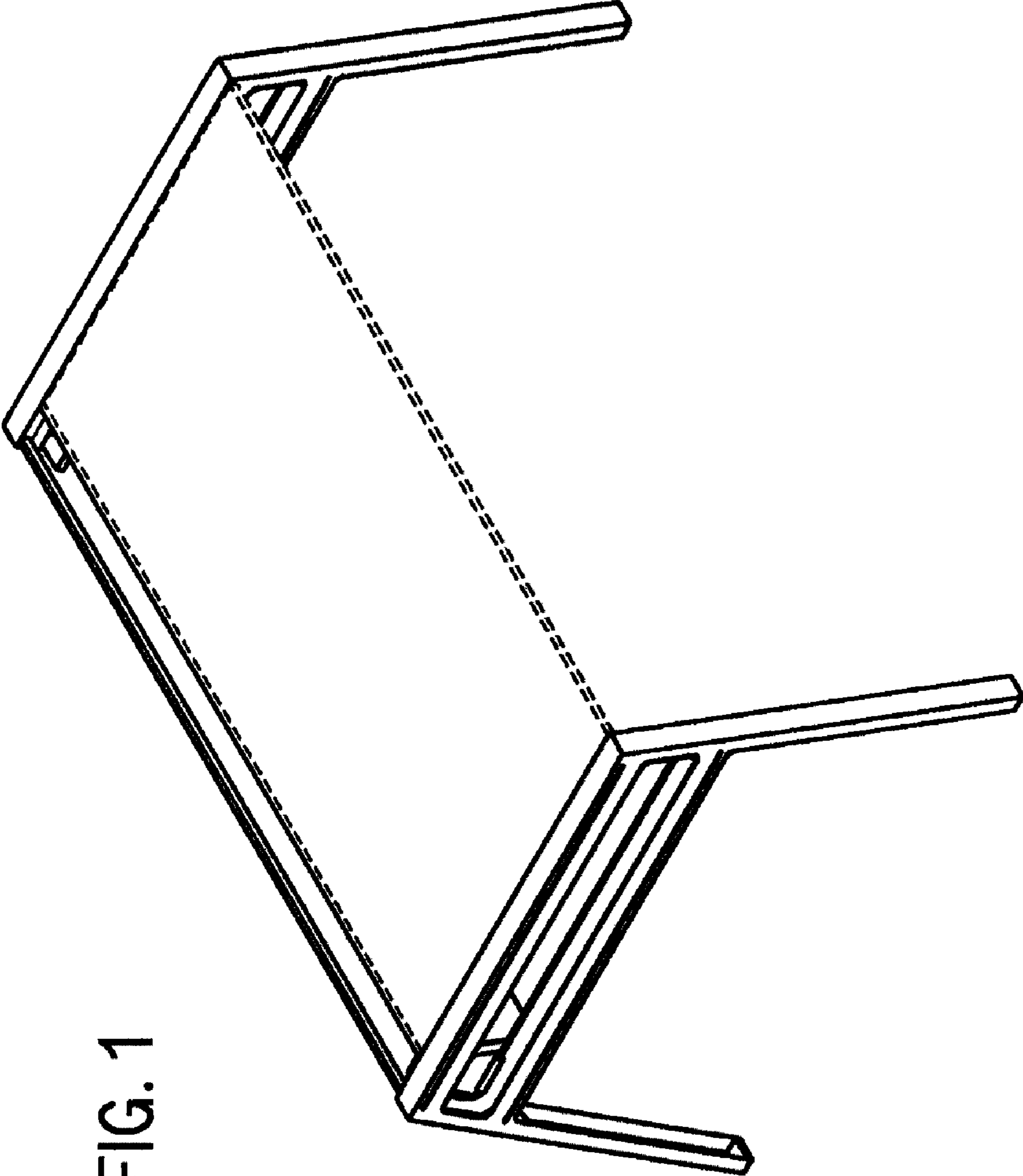


FIG. 1

FIG. 2

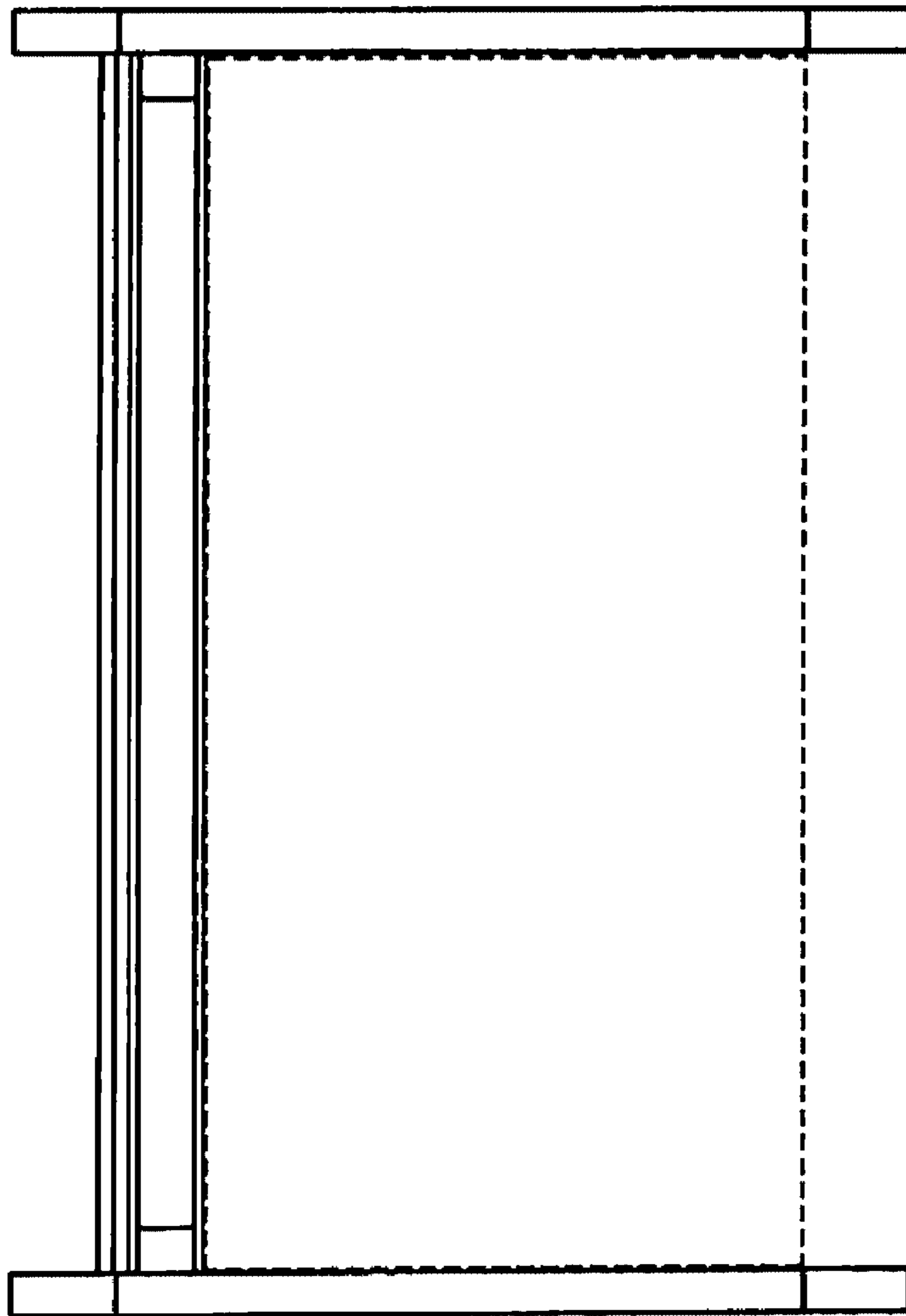


FIG. 3

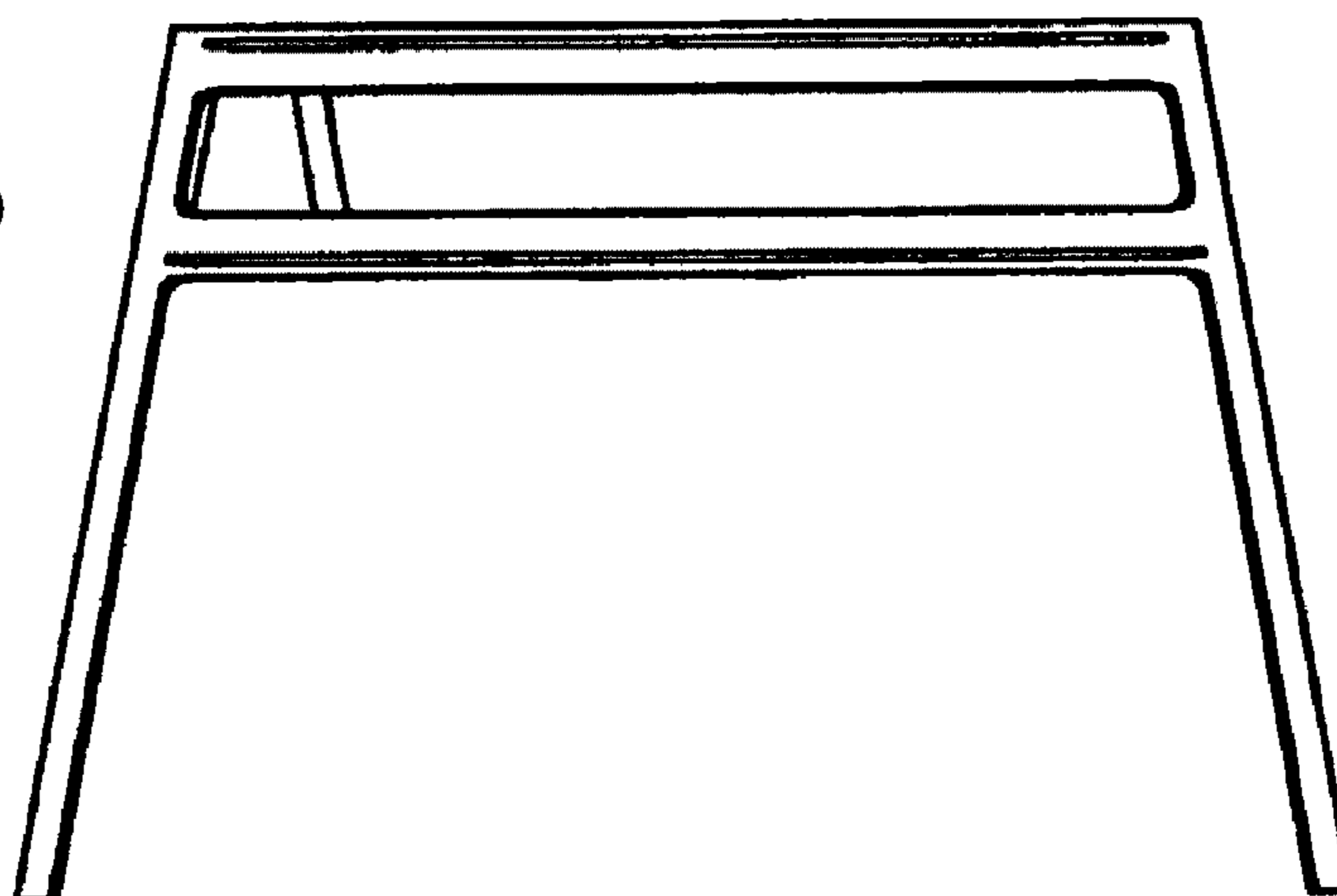


FIG. 4

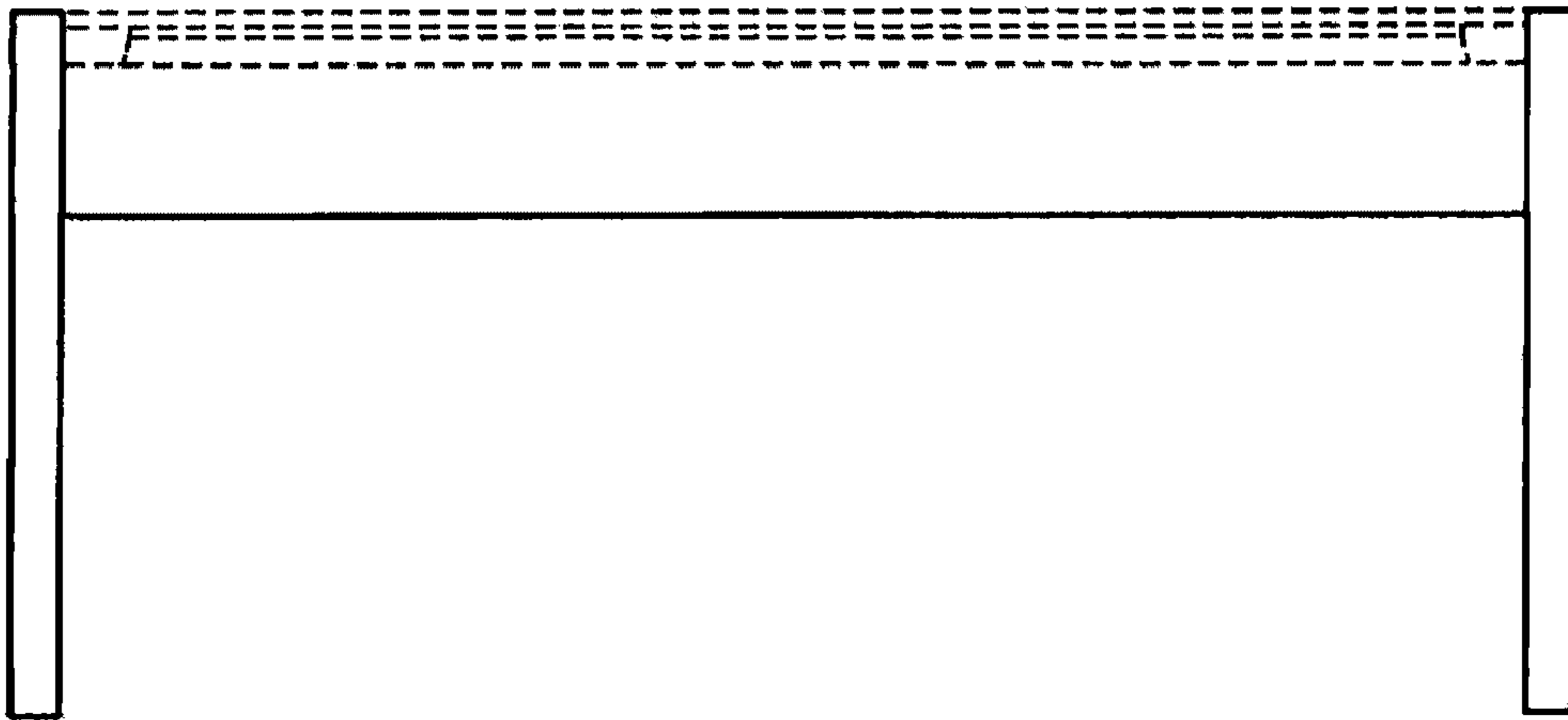


FIG. 5

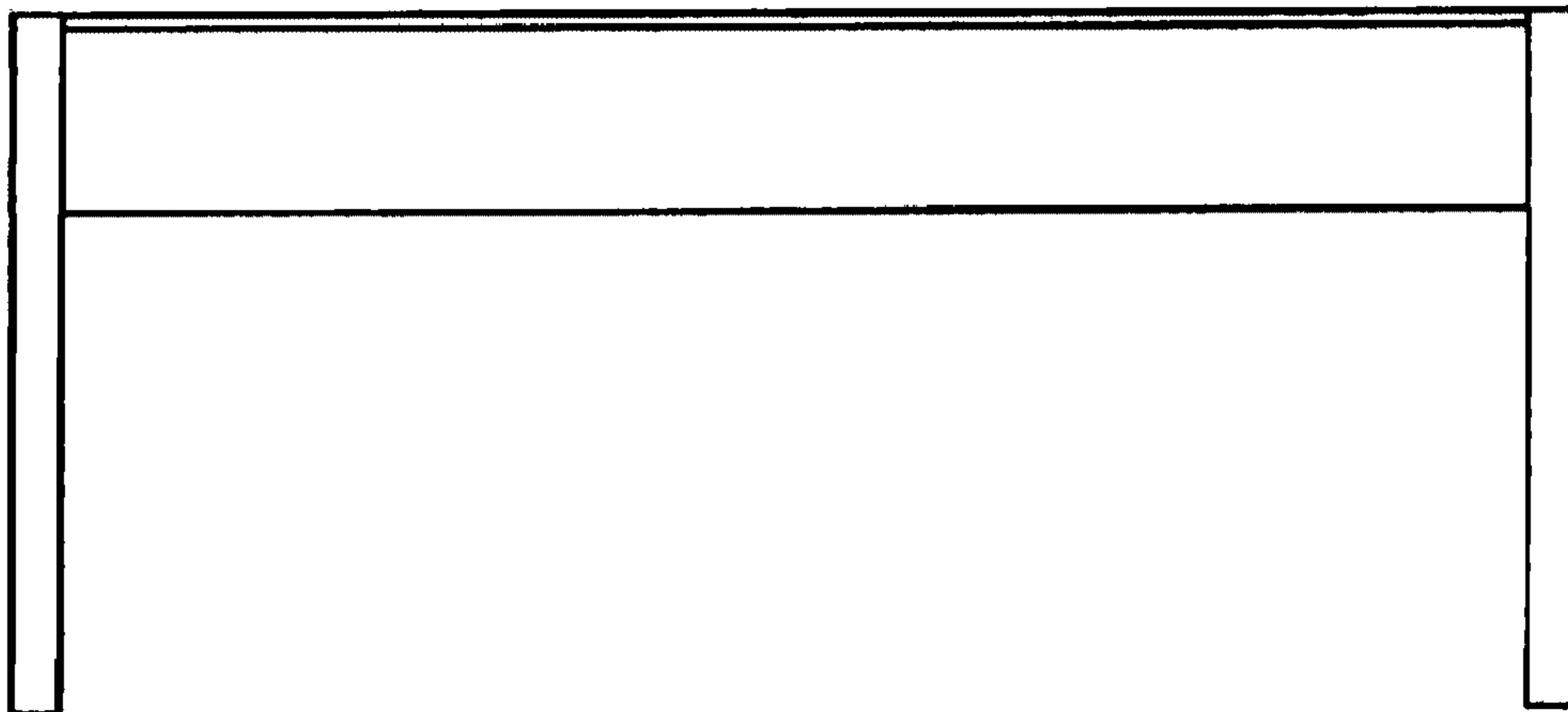


FIG. 6

