



US00D650610S

(12) **United States Design Patent**  
**Carr et al.**

(10) **Patent No.:** **US D650,610 S**

(45) **Date of Patent:** **\*\* Dec. 20, 2011**

(54) **BUCKET STAND AND CARRIER**

(76) Inventors: **Fred K Carr**, Laguna Hills, CA (US);  
**Faramarz Khaladj**, Laguna Hills, CA  
(US)

(\*\*) Term: **14 Years**

(21) Appl. No.: **29/385,417**

(22) Filed: **Feb. 14, 2011**

(51) **LOC (9) Cl.** ..... **06-04**

(52) **U.S. Cl.** ..... **D6/462**

(58) **Field of Classification Search** ..... D6/396,  
D6/397, 409, 410, 449, 450, 453-469; 211/1,  
211/13.1, 69.1, 69.5, 70, 70.1, 70.6, 74, 77,  
211/78, 85.1, 85.2, 85.4, 85.5, 85.21-85.23,  
211/85.31, 126.9, 134, 181.1, 182; D3/316;  
D7/619.1; D34/6; 248/97

See application file for complete search history.

(56) **References Cited**

U.S. PATENT DOCUMENTS

D46,089 S \* 7/1914 Gibbs ..... D7/619.1  
2,323,846 A \* 7/1943 Saltsman ..... 211/24

2,519,711 A \* 8/1950 Sprechmann ..... 211/41.7  
D172,550 S \* 7/1954 Peirce ..... D6/458  
3,095,172 A \* 6/1963 Dwyer ..... 248/97  
D280,685 S \* 9/1985 Whelan ..... D6/462  
6,199,802 B1 \* 3/2001 Scheibe, Sr. .... 248/97

\* cited by examiner

*Primary Examiner* — Mary Ann Calabrese

(57) **CLAIM**

The ornamental design for bucket stand and carrier, as shown and described.

**DESCRIPTION**

FIG. 1 is a front view of the bucket stand and carrier of our new design.

FIG. 2 is an oblique view of the left side thereof.

FIG. 3 is an oblique view of the right side thereof.

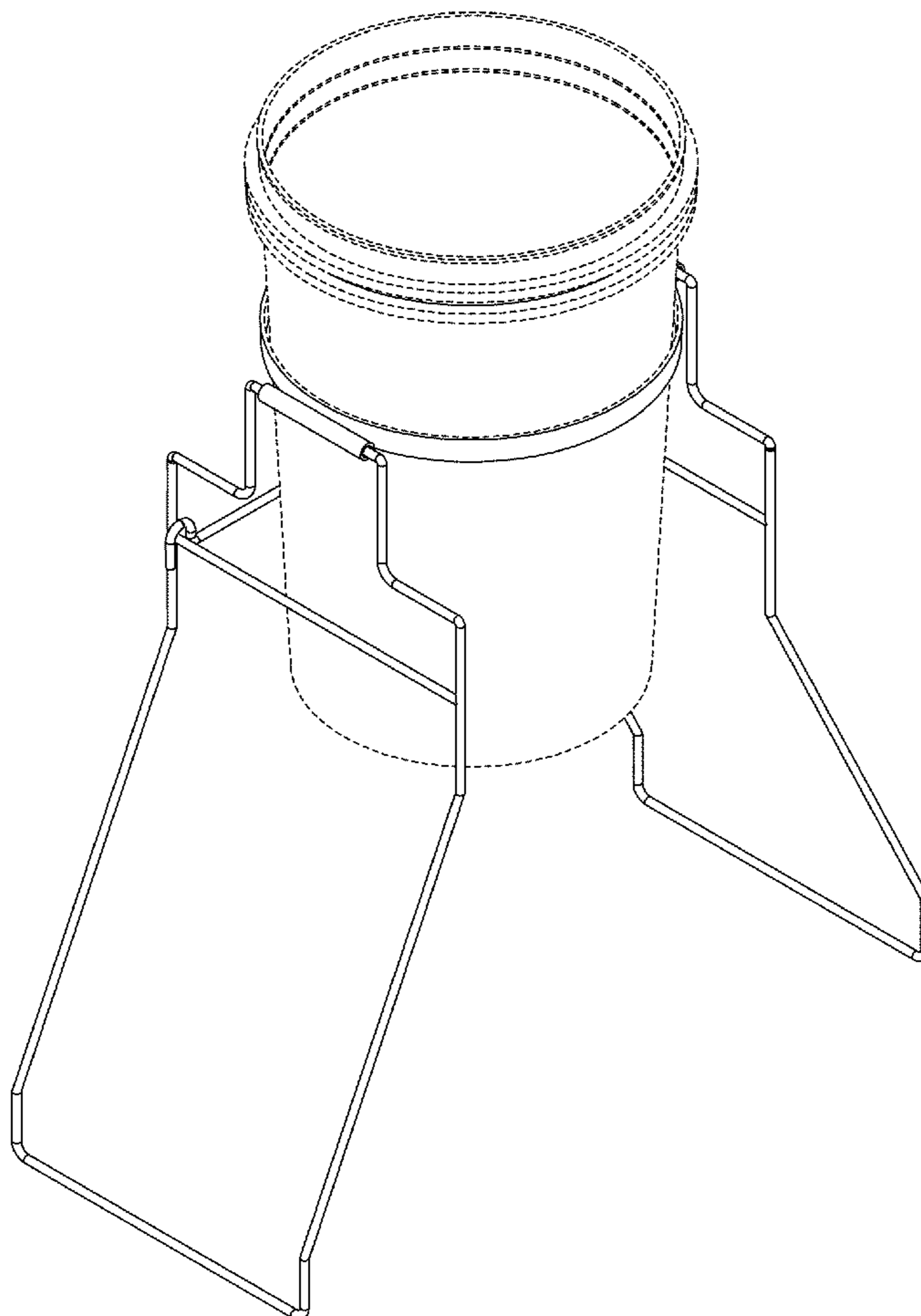
FIG. 4 is a right side view thereof.

FIG. 5 is a left side view thereof; and,

FIG. 6 is a top view thereof.

In the drawings, the broken lines illustrate environment and form no part of the claimed design.

**1 Claim, 6 Drawing Sheets**



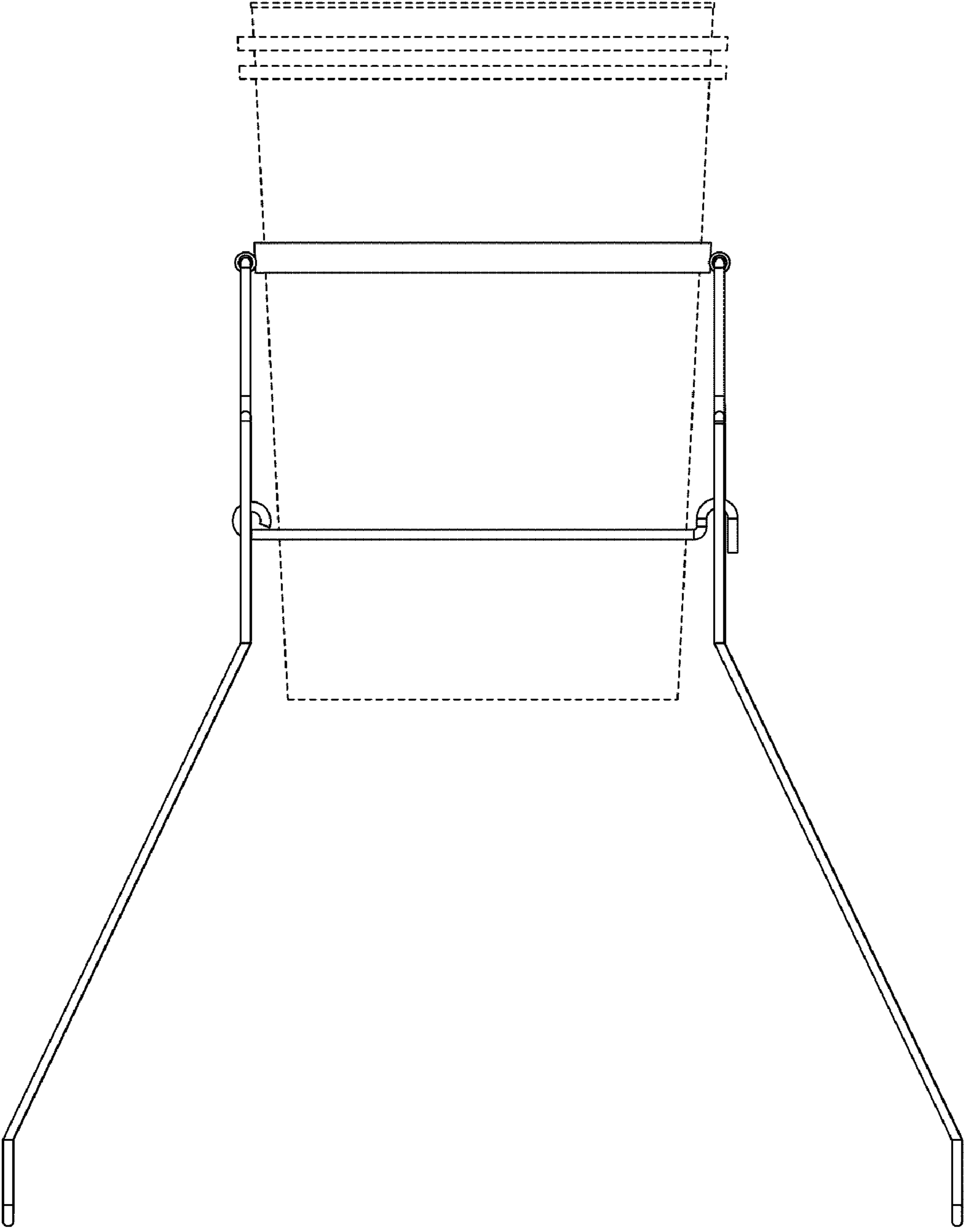


Fig. 1

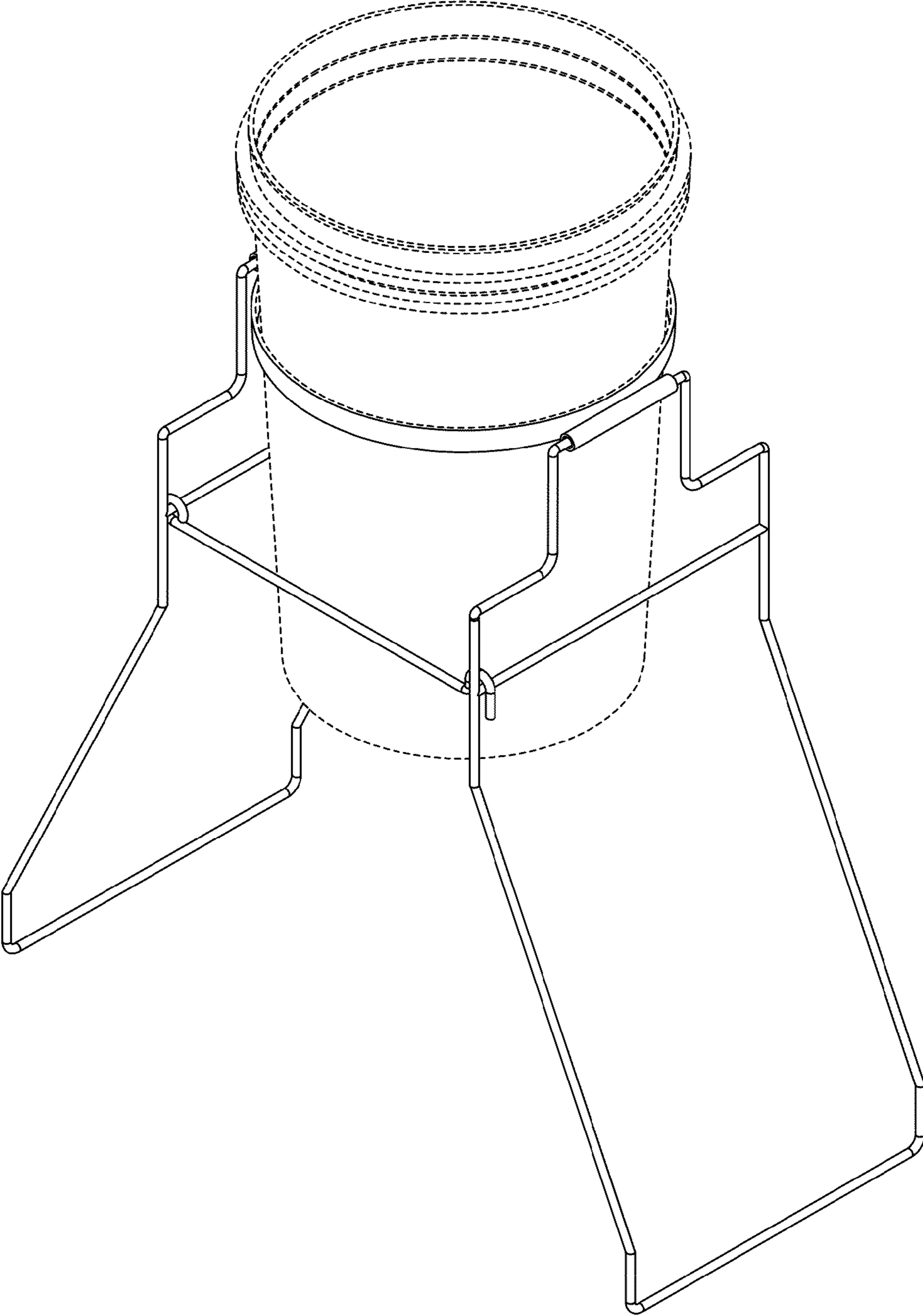


Fig.2

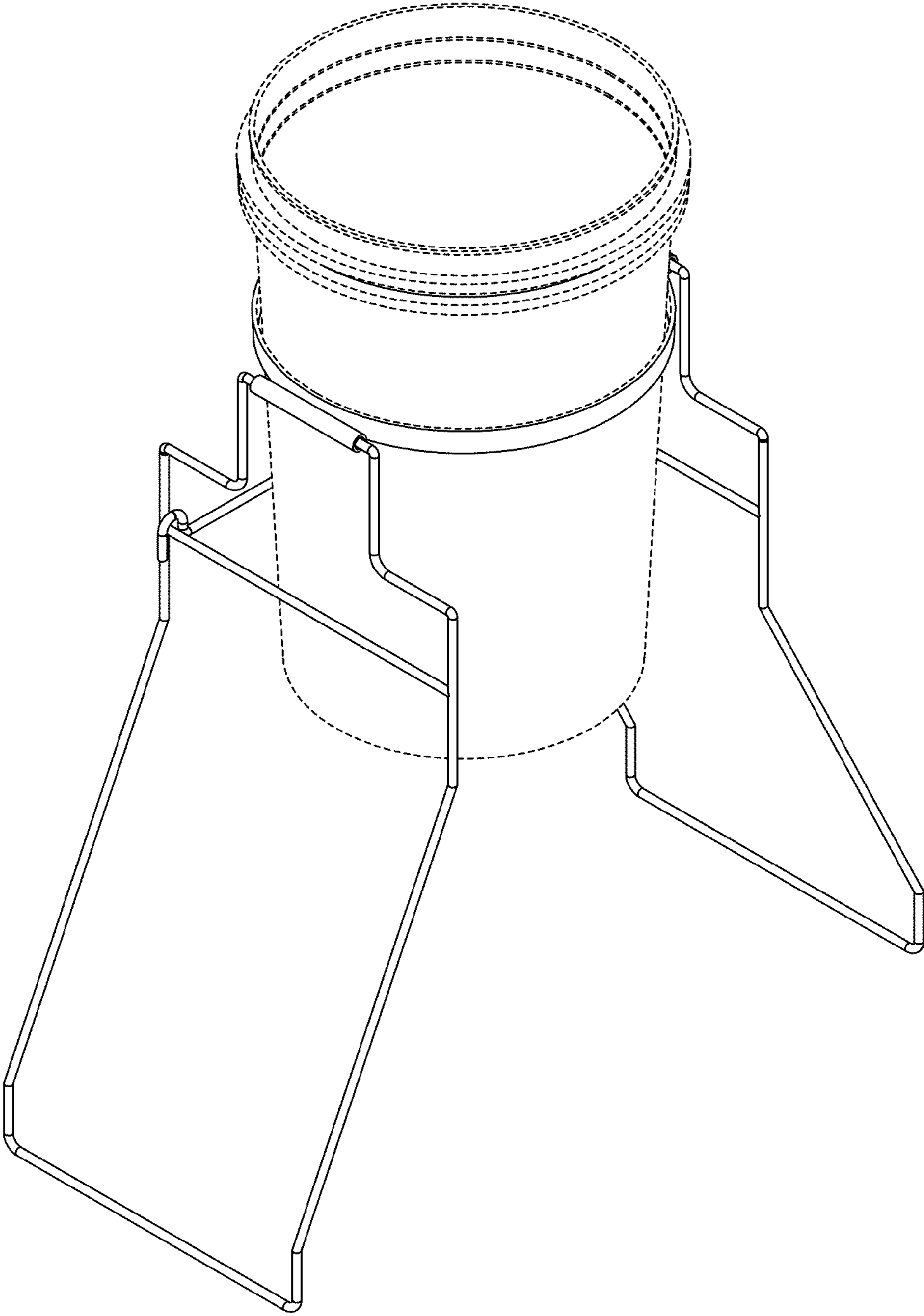


Fig.3

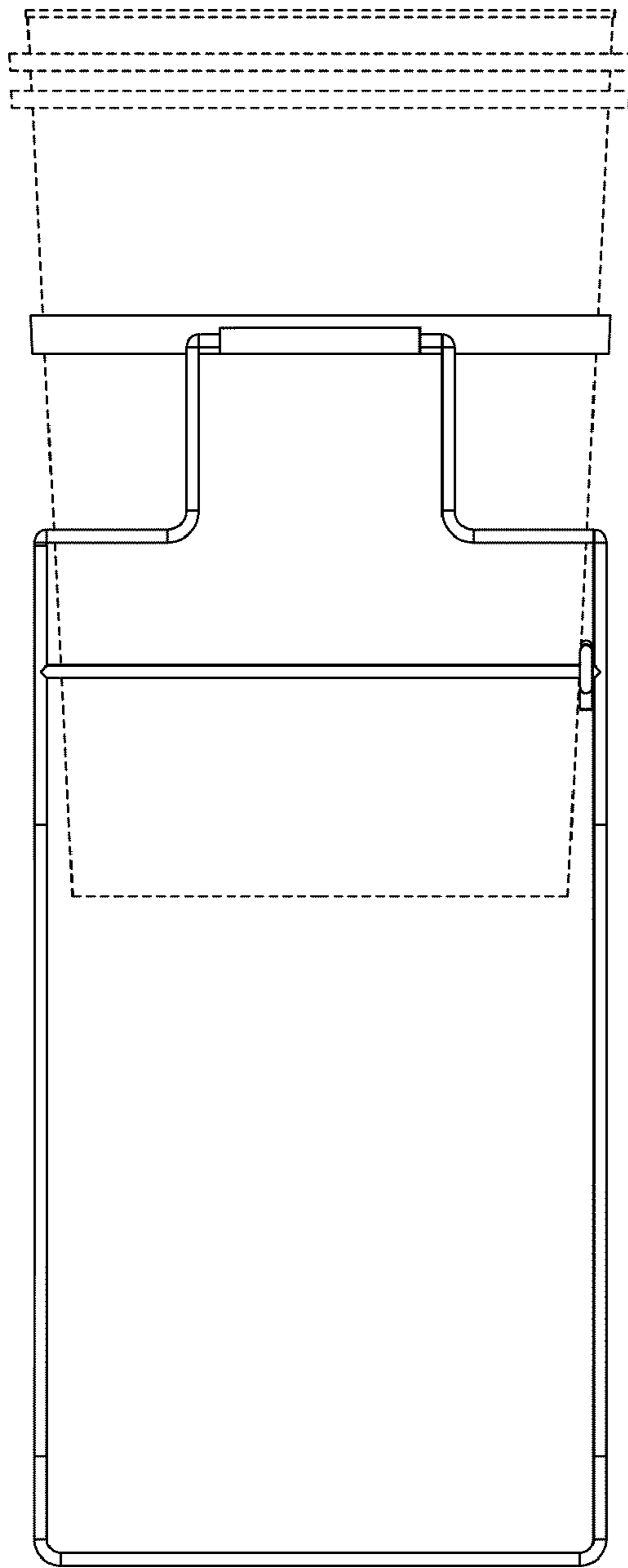


Fig.4

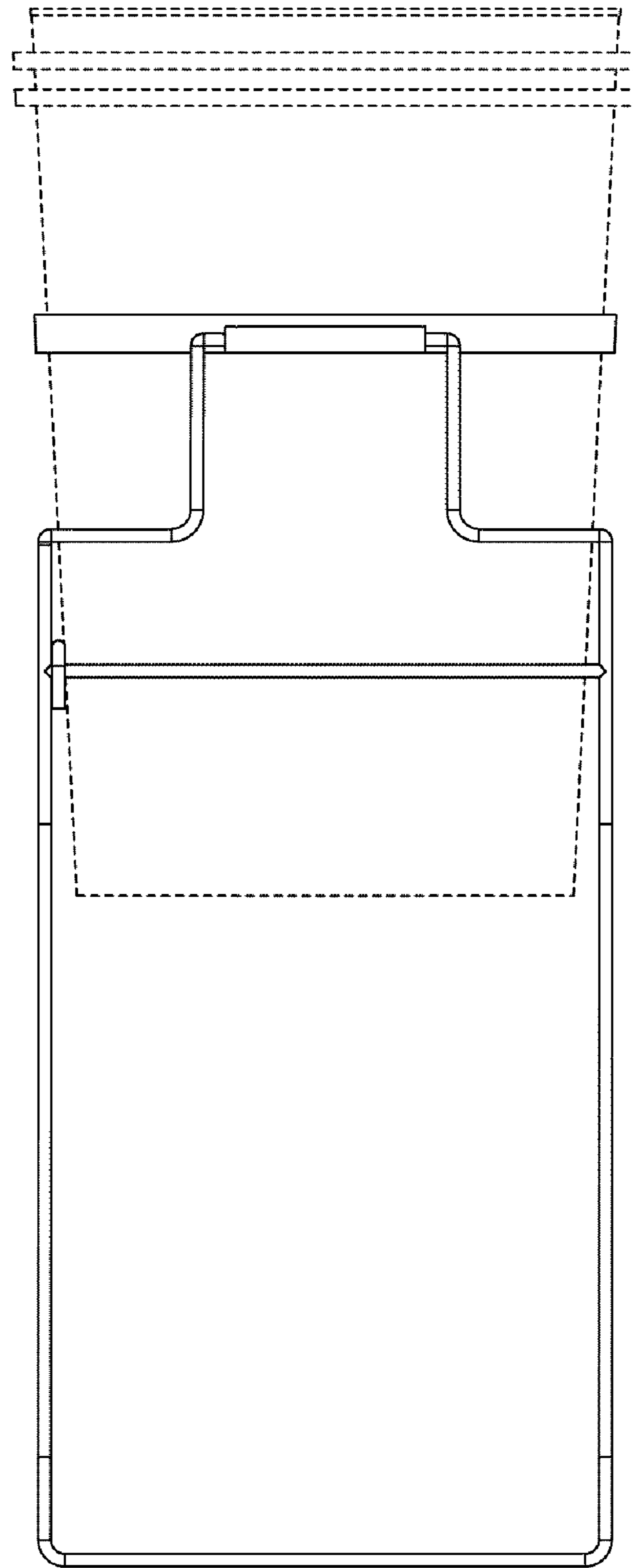


Fig. 5

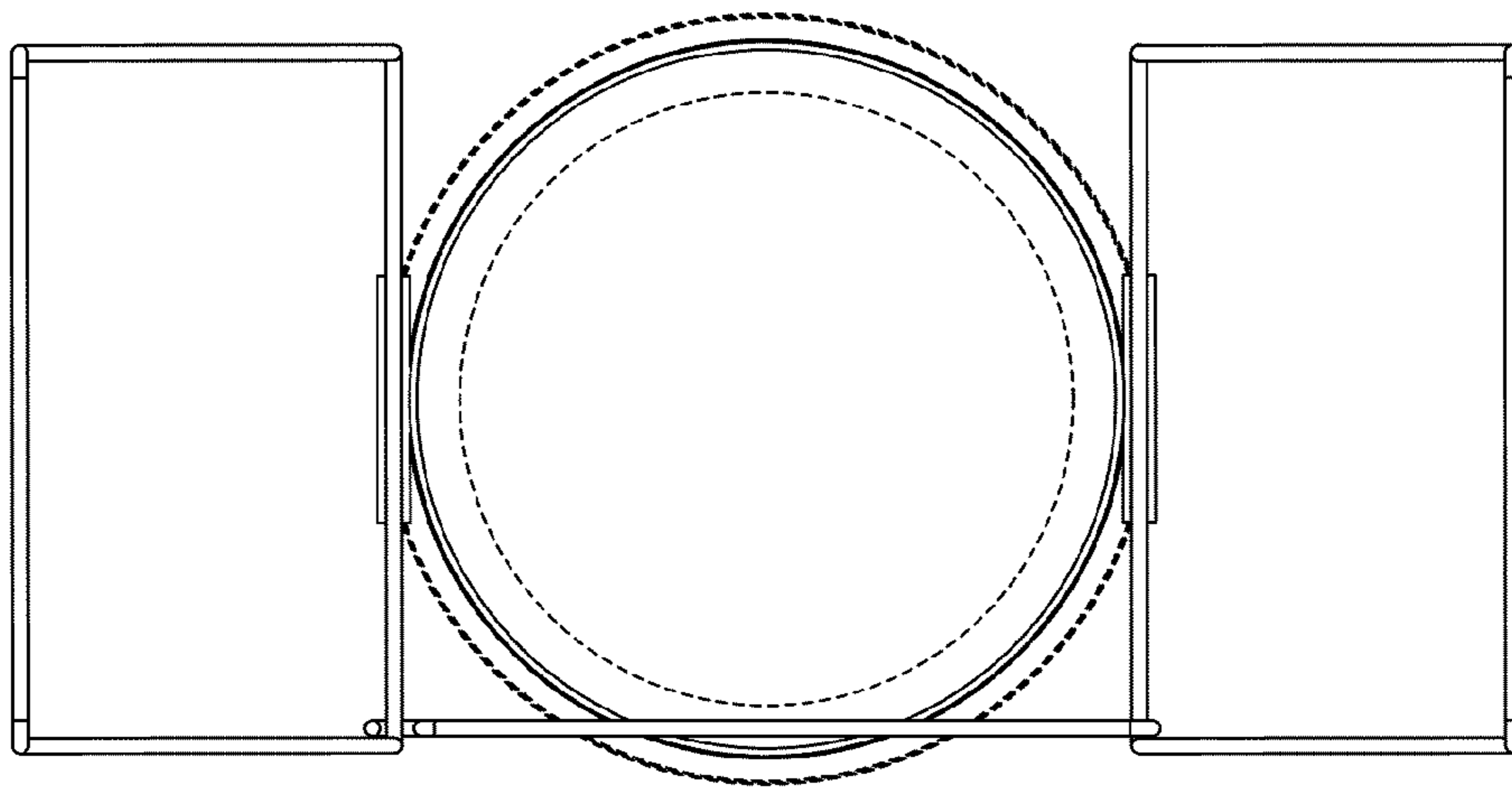


Fig.6