



US00D650609S

(12) **United States Design Patent**
Walker et al.

(10) **Patent No.:** **US D650,609 S**

(45) **Date of Patent:** **** Dec. 20, 2011**

(54) **LIGHTED, SKELETAL HELICOPTER TABLE**

Primary Examiner — Janice Seeger

(74) *Attorney, Agent, or Firm* — Albert O. Cota

(76) Inventors: **Robert M. Walker**, Los Angeles, CA
(US); **Laura B. Walker**, Los Angeles,
CA (US)

(**) Term: **14 Years**

(57) **CLAIM**

The ornamental design for a lighted, skeletal helicopter table,
as shown and described.

(21) Appl. No.: **29/370,528**

(22) Filed: **Aug. 2, 2010**

DESCRIPTION

(51) **LOC (9) Cl.** **06-03**

(52) **U.S. Cl.** **D6/451**

(58) **Field of Classification Search** D6/480-489,
D6/495-499, 450-451, 511; 108/150, 153.1,
108/155, 156, 161; 248/188, 188.1, 188.8;
D21/442; D26/58

See application file for complete search history.

FIG. 1 is an exploded orthographic view of a lighted, skeletal
helicopter table showing my new design. A glass top for the
helicopter's main rotor and for the tail rotor are shown above
their respective skeletal support frame;

FIG. 2 is a right side elevational view thereof;

FIG. 3 is a left side elevational view thereof;

FIG. 4 is a front elevational view thereof;

FIG. 5 is a rear elevational view thereof;

FIG. 6 is a bottom plan view thereof;

FIG. 7 is a top plan view thereof;

FIG. 8 is an orthographic view thereof showing the tail rotor
rotated downward 90-degrees; and,

FIG. 9 is an orthographic view thereof showing only the
skeletal's helicopter structure.

FIGS. 6-9 show the two top glass tops removed for clarity of
disclosure.

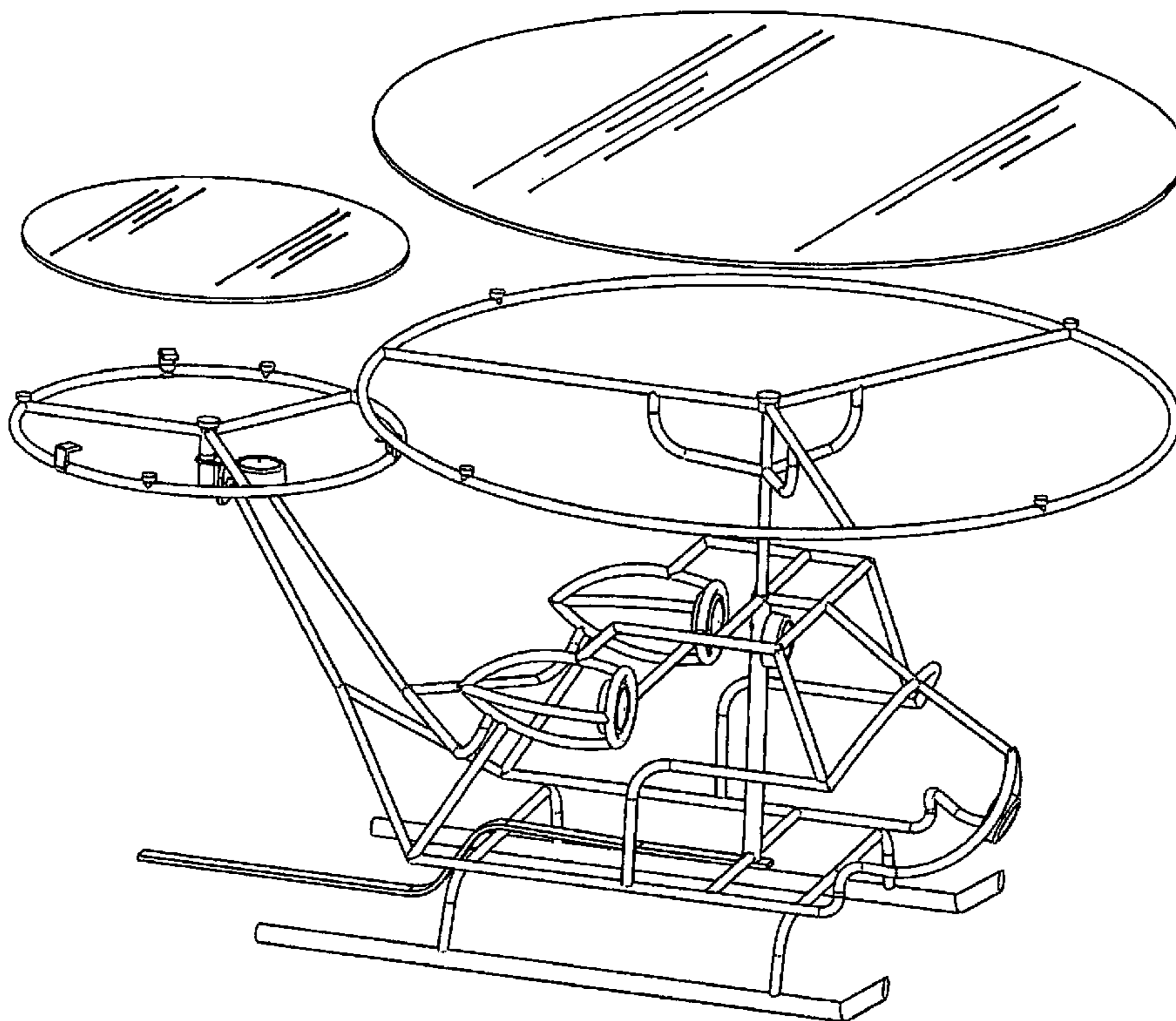
(56) **References Cited**

U.S. PATENT DOCUMENTS

D158,936 S *	6/1950	Crowder	D21/442
D225,654 S *	12/1972	Spiegel	D21/442
D236,054 S *	7/1975	Ginat	D6/479
D250,966 S *	1/1979	Spore	D21/442
D390,047 S *	2/1998	Cambra	D6/451
D452,623 S *	1/2002	Udommahuntisuk	D6/450
D468,562 S *	1/2003	Chang	D6/495

* cited by examiner

1 Claim, 5 Drawing Sheets



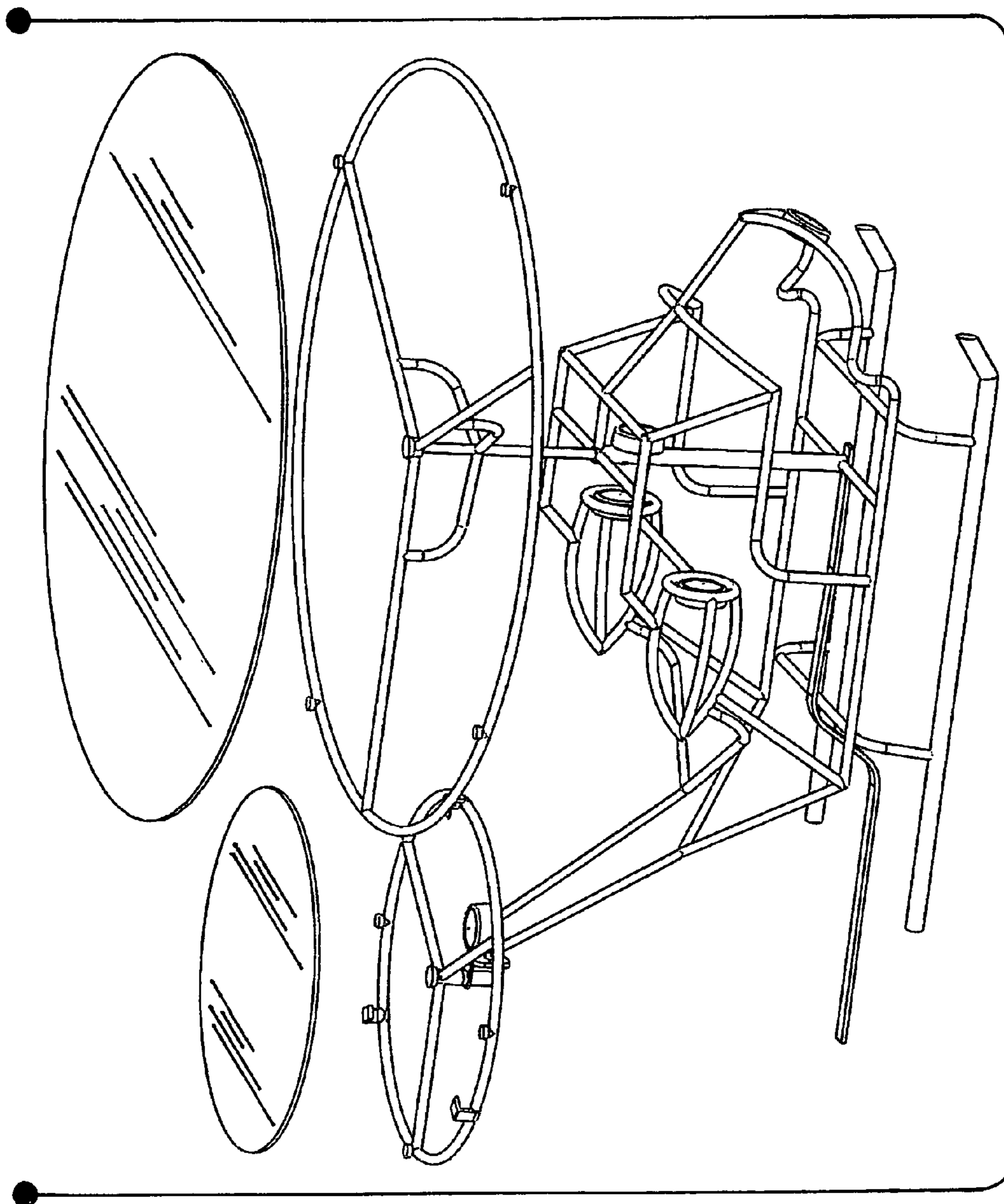


Fig. 1

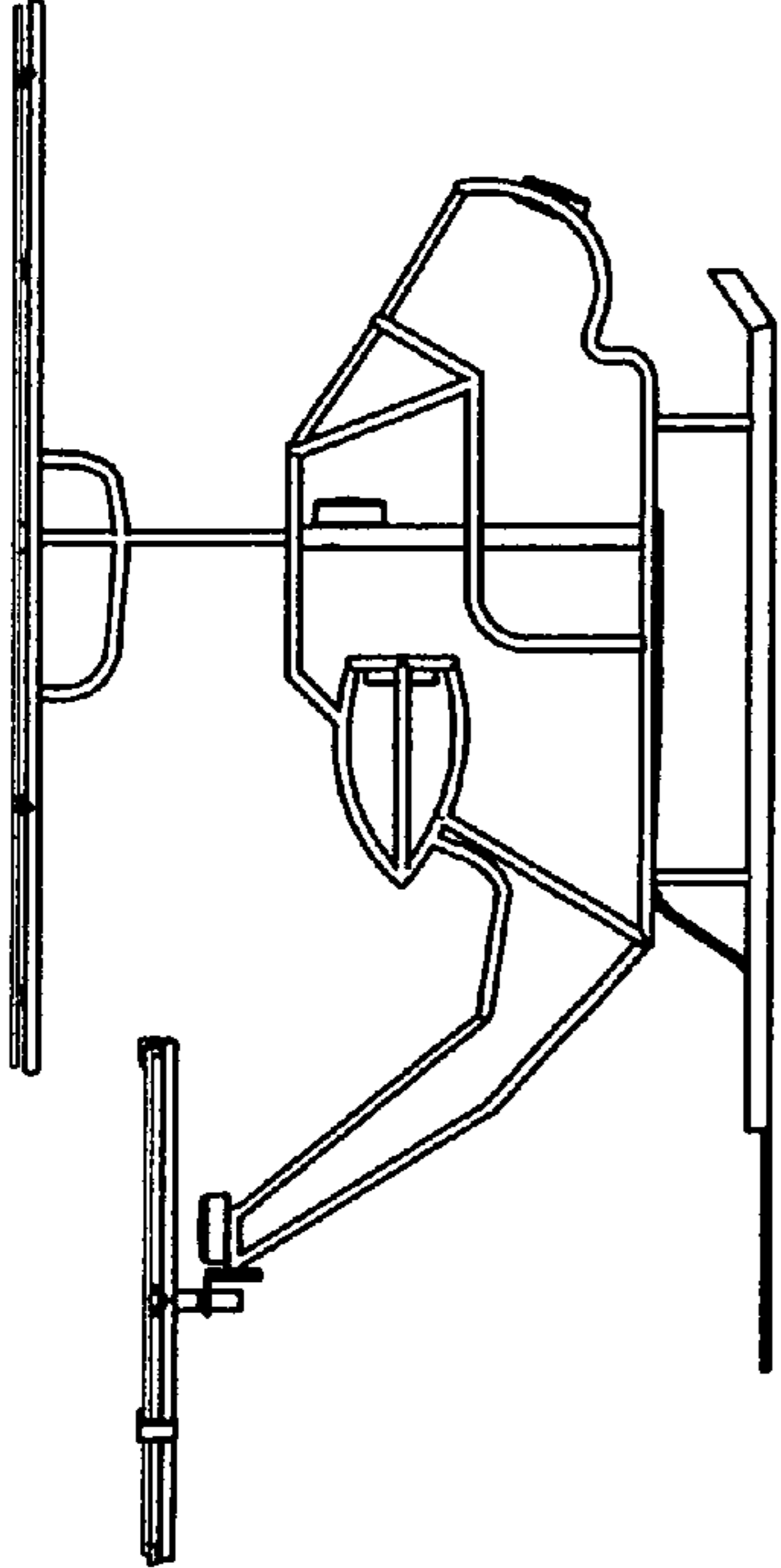


Fig. 2

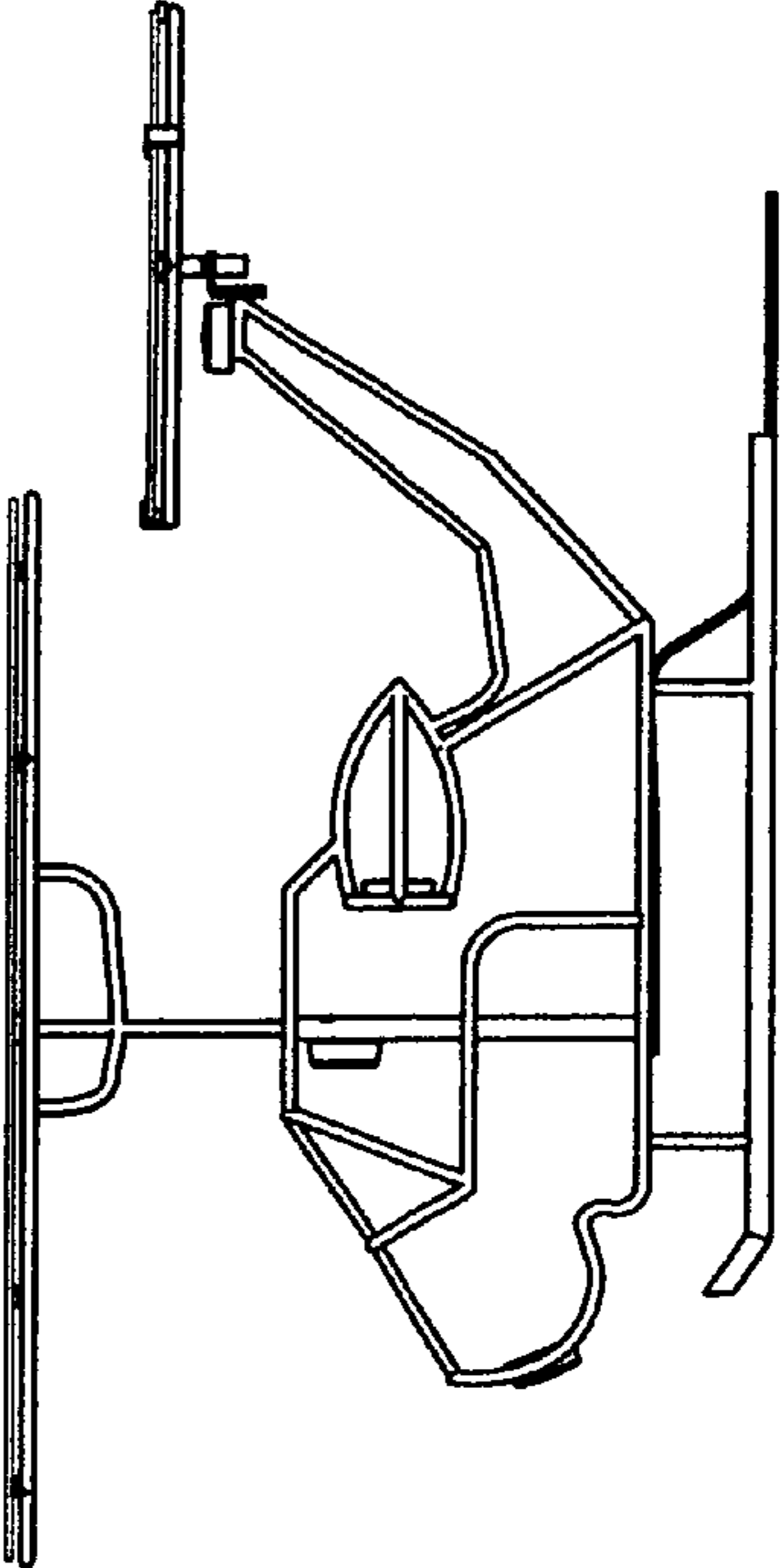


Fig. 3

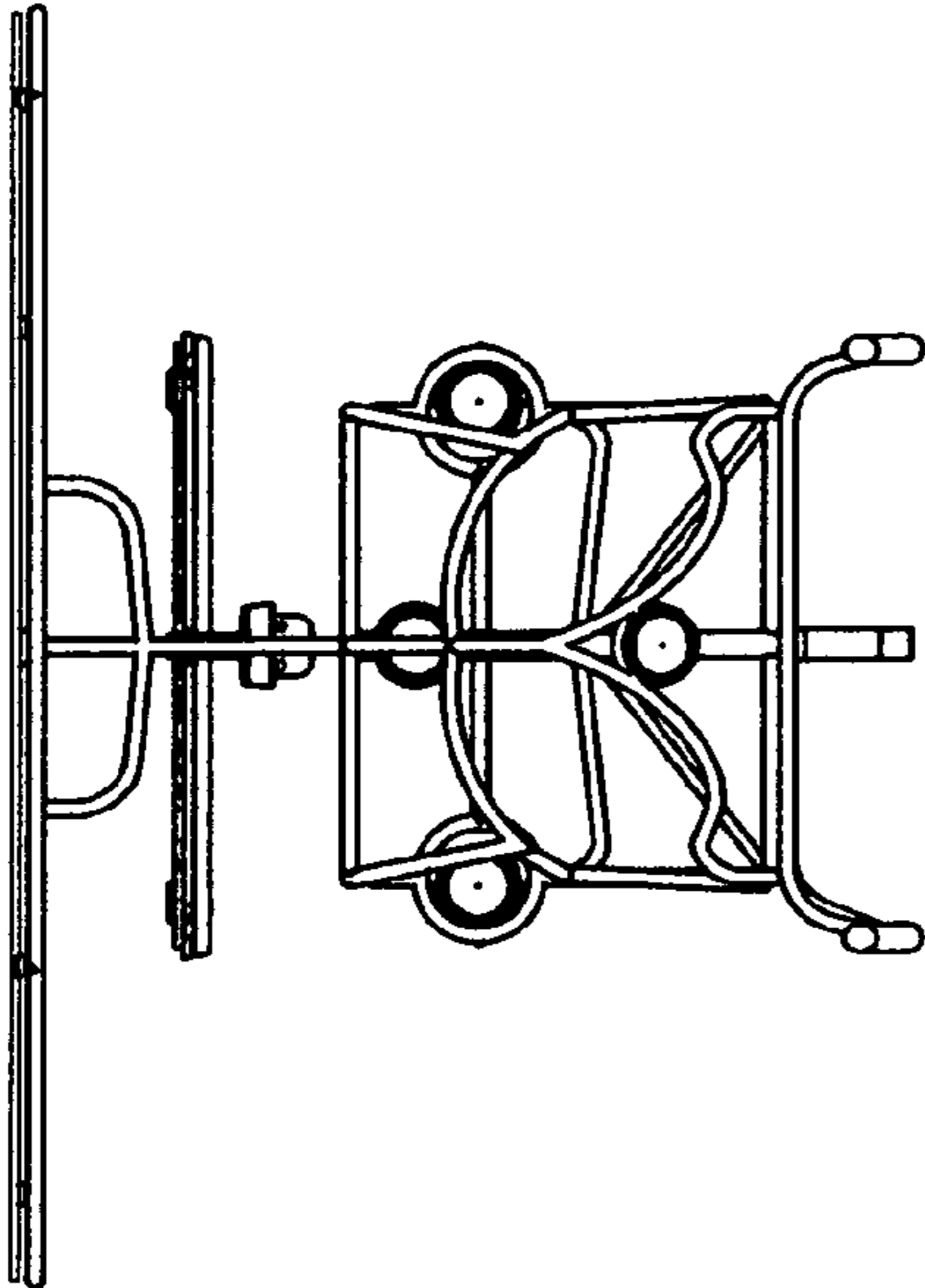


Fig. 4

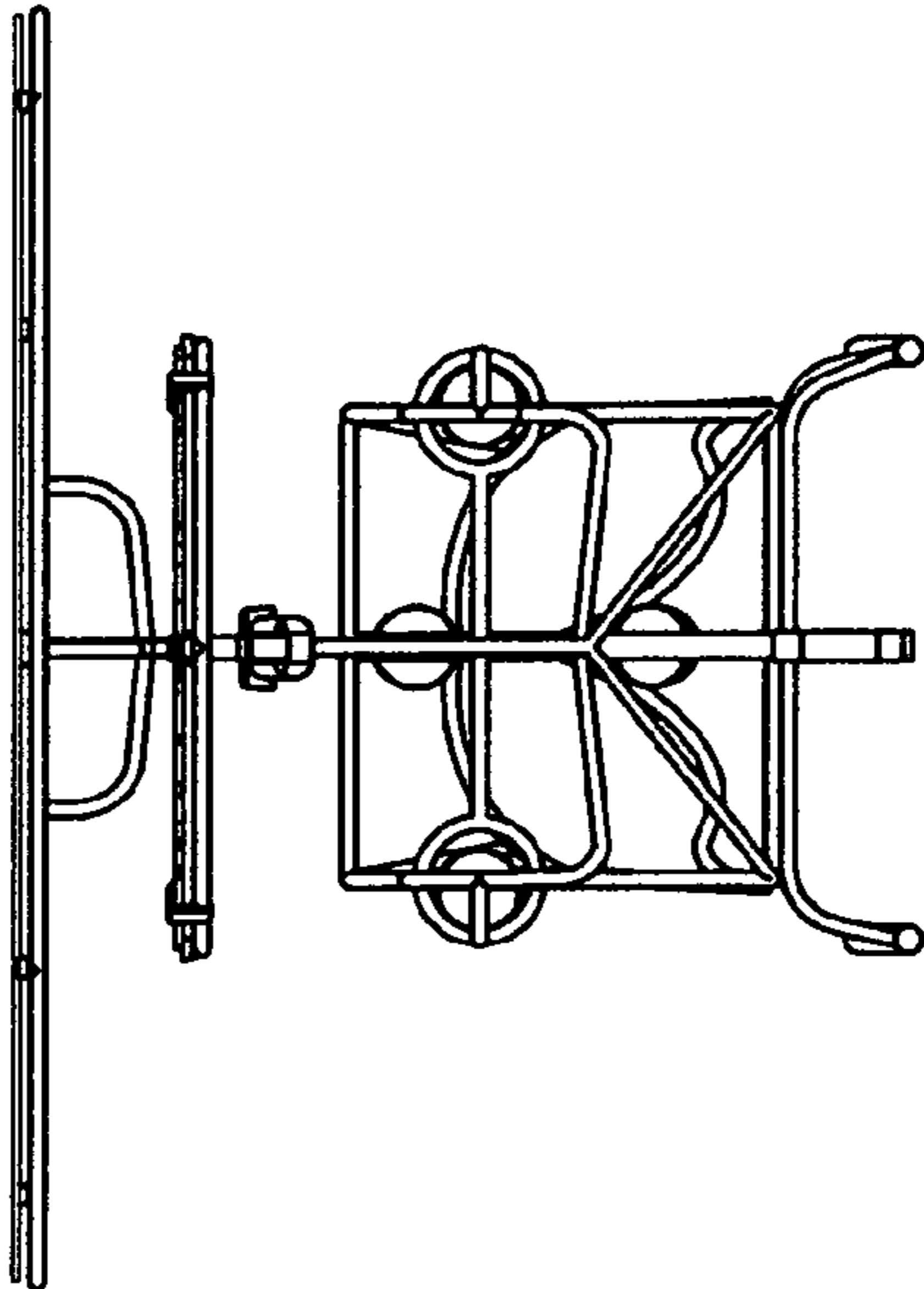


Fig. 5

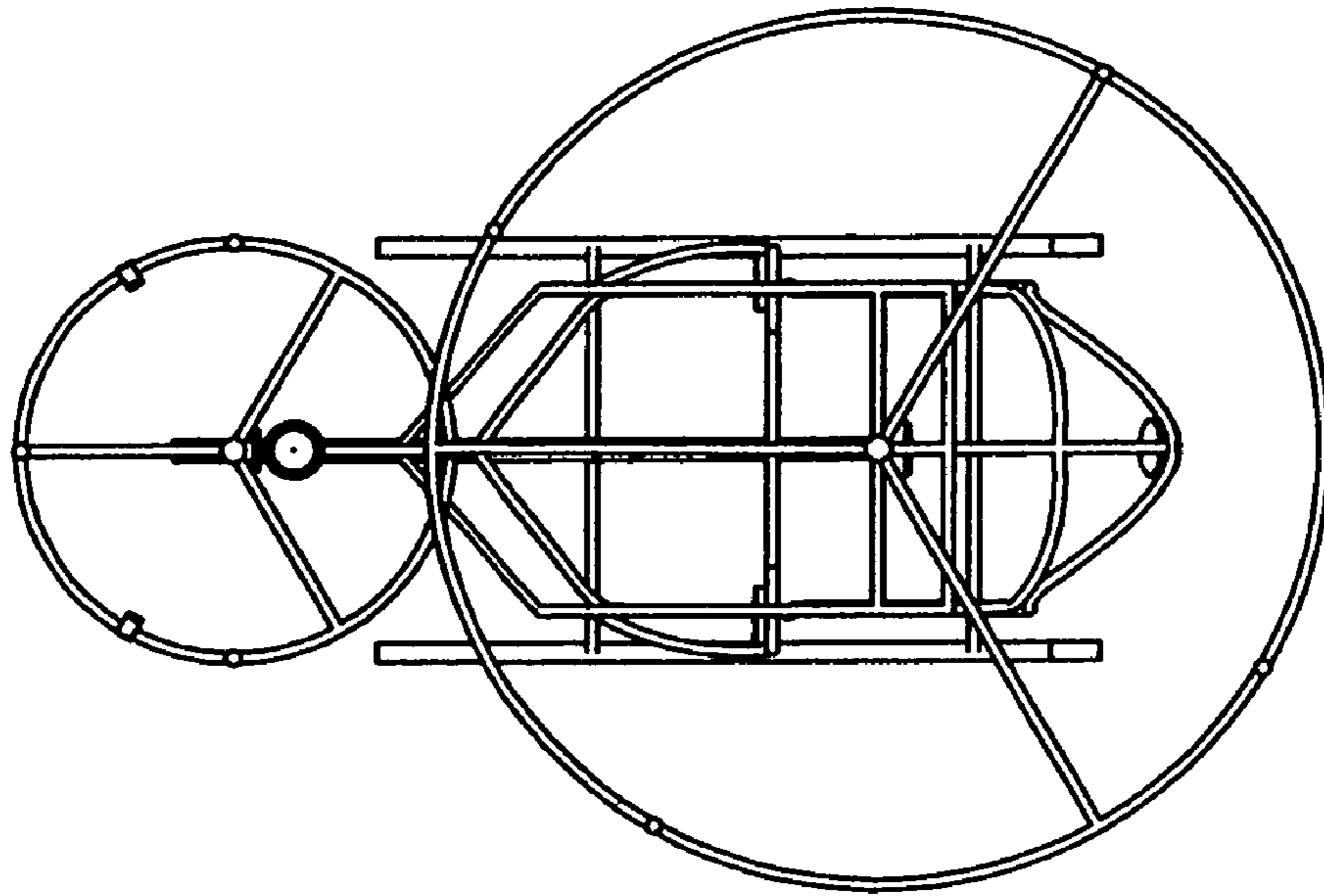


Fig. 7

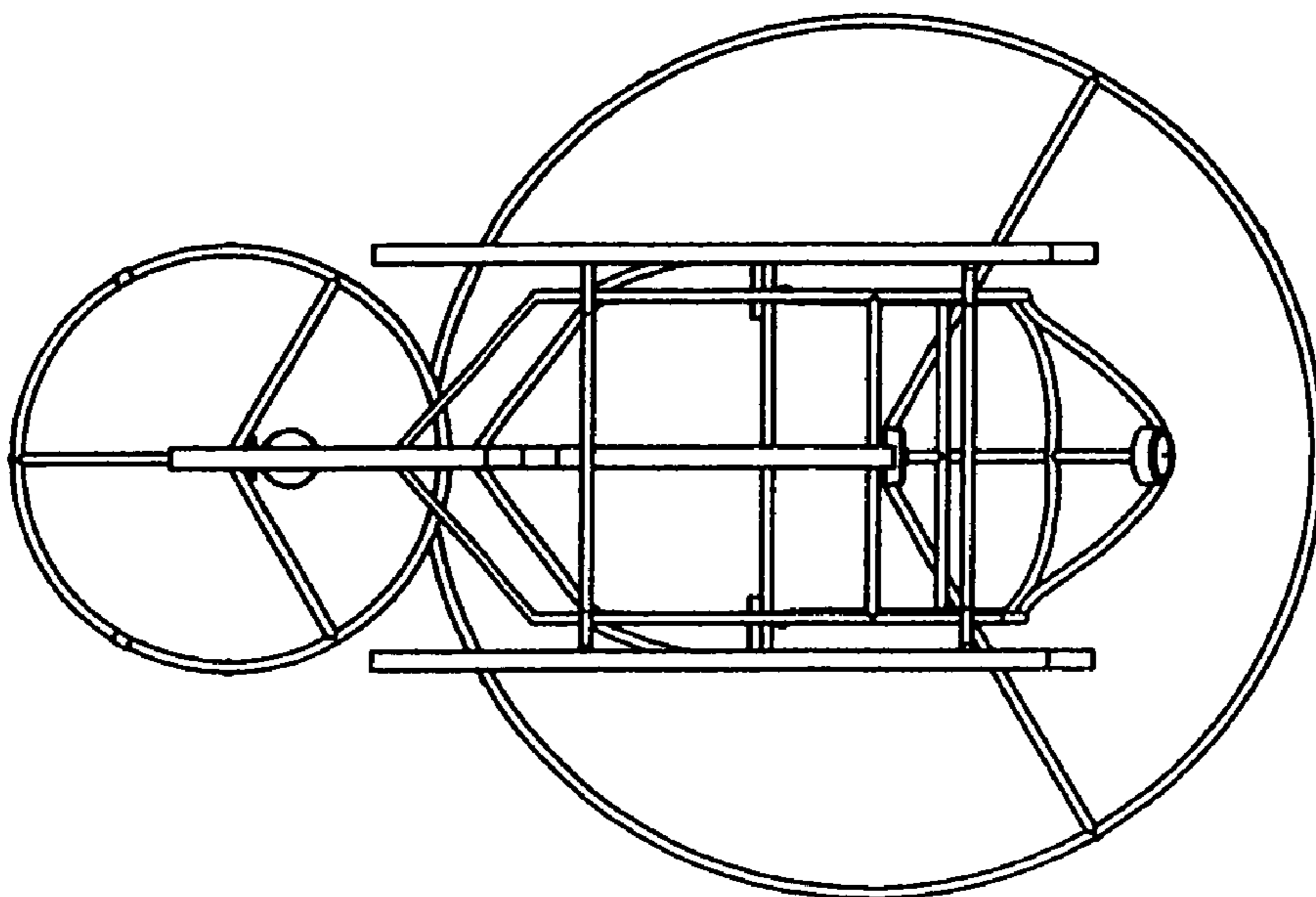


Fig. 6

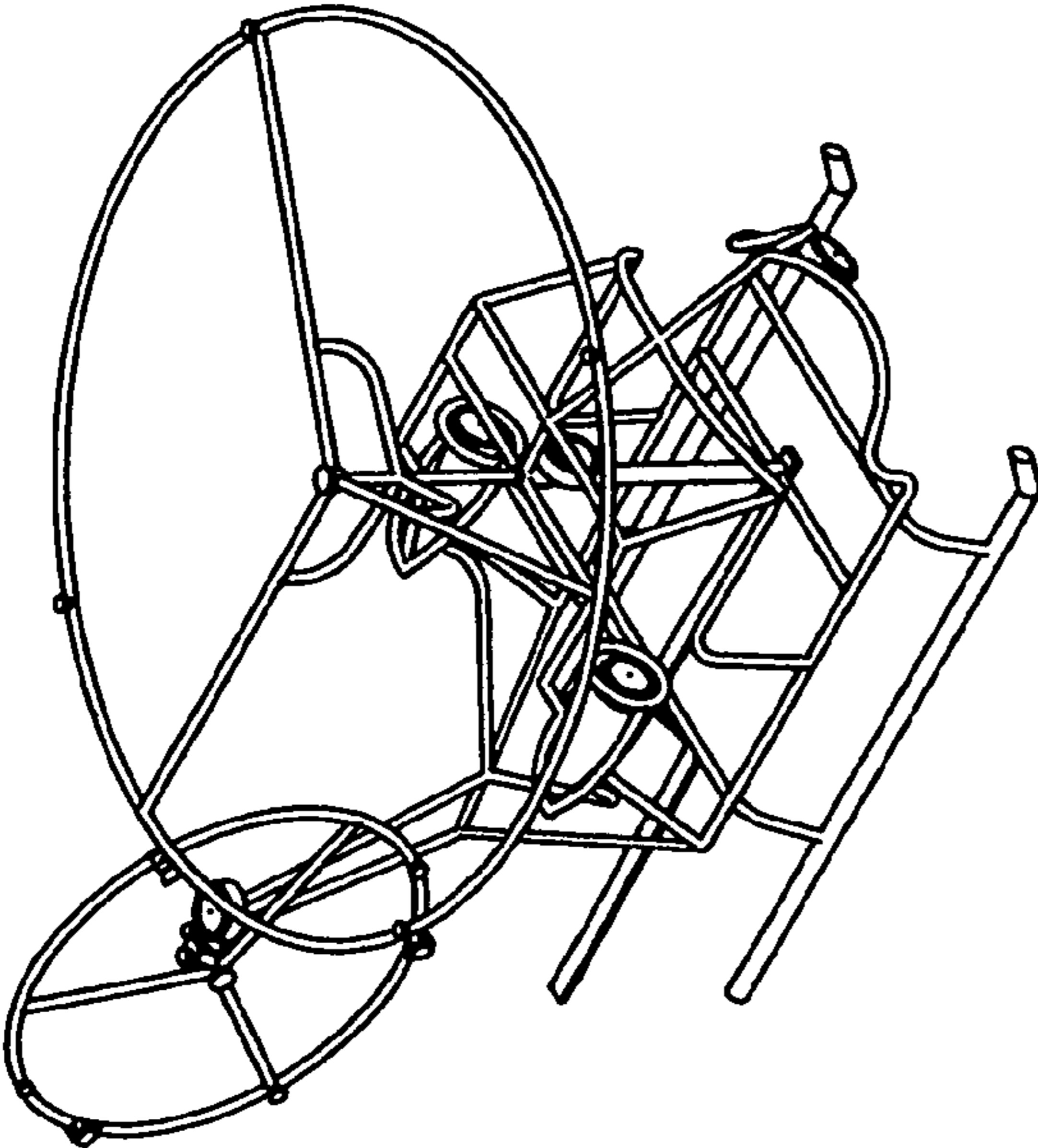


Fig. 8

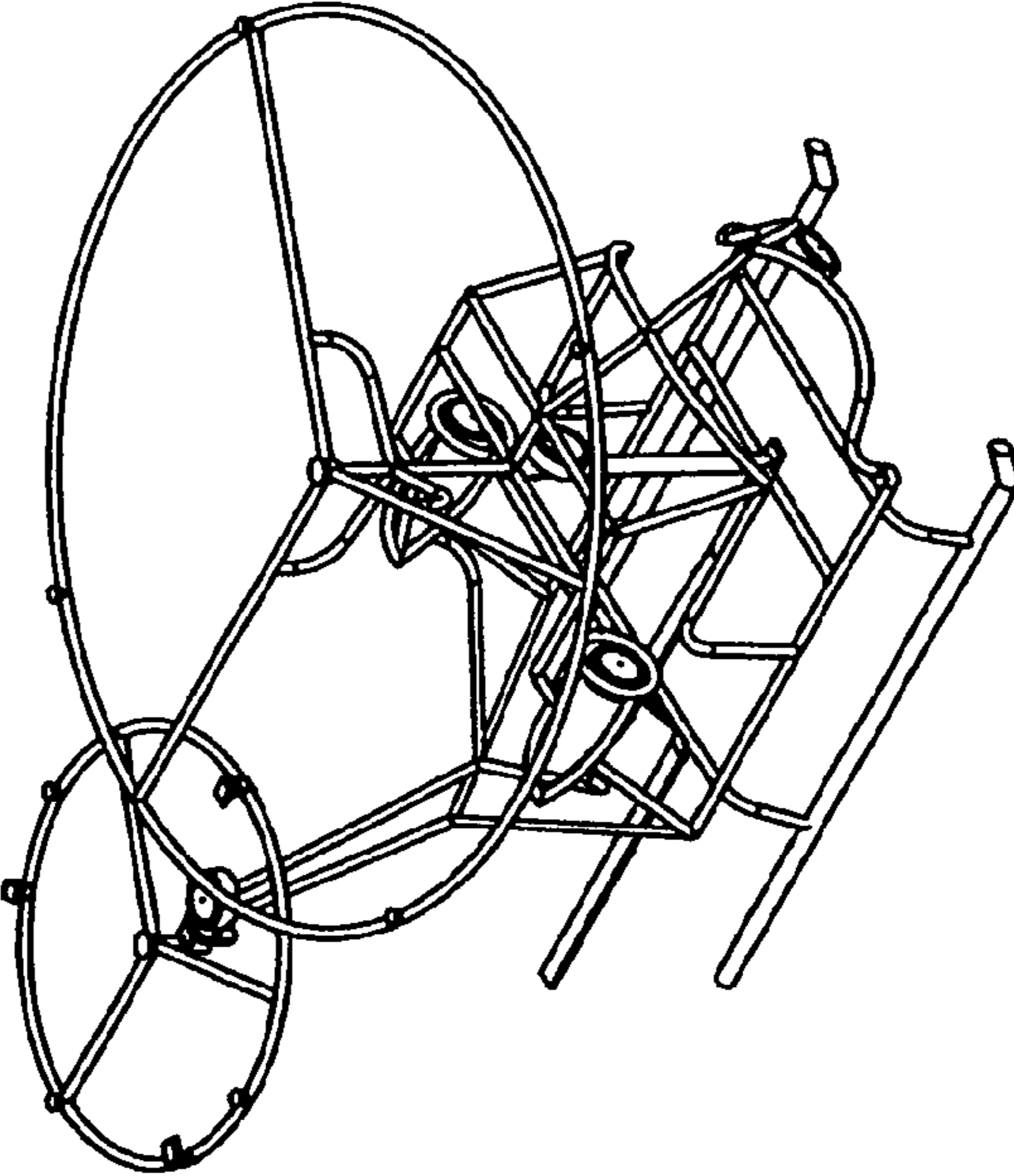


Fig. 9