



US00D650606S

(12) **United States Design Patent**  
**Radice et al.**

(10) **Patent No.:** **US D650,606 S**

(45) **Date of Patent:** **\*\* Dec. 20, 2011**

(54) **CHAIR**

(75) Inventors: **Andrea Radice**, Rho (IT); **Folco Orlandini**, Sedriano (IT)

(73) Assignee: **OMP S.R.L.**, Castello di Godego (TV) (IT)

(\*\*) Term: **14 Years**

(21) Appl. No.: **29/364,449**

(22) Filed: **Jun. 23, 2010**

(30) **Foreign Application Priority Data**

May 14, 2010 (EM) ..... 001708132

(51) **LOC (9) Cl.** ..... **06-01**

(52) **U.S. Cl.** ..... **D6/375**

(58) **Field of Classification Search** ..... D6/310,  
D6/334-336, 348, 358-381, 500-502; 297/239,  
297/271.6, 313, 362.14, 411.2, 411.27, 411.28,  
297/445.1, 446.1, 448.1, 452.13

See application file for complete search history.

(56) **References Cited**

**U.S. PATENT DOCUMENTS**

|               |         |            |       |           |
|---------------|---------|------------|-------|-----------|
| D181,676 S *  | 12/1957 | Ristenpart | ..... | D6/373    |
| D189,347 S *  | 11/1960 | Chapman    | ..... | D6/375    |
| 3,025,105 A * | 3/1962  | Nash       | ..... | 297/239   |
| 3,201,172 A * | 8/1965  | Bliss      | ..... | 297/448.1 |
| D426,973 S *  | 6/2000  | Risdall    | ..... | D6/375    |
| D508,340 S *  | 8/2005  | Barbieri   | ..... | D6/375    |
| D546,087 S *  | 7/2007  | Rashid     | ..... | D6/375    |
| D562,019 S *  | 2/2008  | Lievore    | ..... | D6/366    |

|              |        |                     |       |        |
|--------------|--------|---------------------|-------|--------|
| D564,248 S * | 3/2008 | Alter Molina et al. | ..... | D6/373 |
| D573,363 S * | 7/2008 | Pillet              | ..... | D6/376 |
| D600,028 S * | 9/2009 | Starck              | ..... | D6/334 |

\* cited by examiner

*Primary Examiner* — Ricky Pham

(74) *Attorney, Agent, or Firm* — Castellano PLLC

(57) **CLAIM**

The ornamental design for a chair, as shown and described.

**DESCRIPTION**

FIG. 1 is a back side perspective view from the right of a chair showing our present design;

FIG. 2 is a front side perspective view from the left thereof;

FIG. 3 is a back view thereof;

FIG. 4 is a left side view thereof;

FIG. 5 is a front view thereof;

FIG. 6 is a top view thereof;

FIG. 7 is a back side perspective view from the right thereof;

FIG. 8 is a front side perspective view from the left thereof;

FIG. 9 is a back view thereof;

FIG. 10 is a left side view thereof;

FIG. 11 is a front view thereof; and,

FIG. 12 is a top view thereof.

FIGS. 1-6 are line drawings depicting our present design.

FIGS. 7-12 are additional depictions of our chair design from various perspectives, which depictions help in showing which lines from FIGS. 1-6 are contour lines.

Although some of the figures are submitted in what may appear to be different colors or shades, our design should not be construed as being limited to any particular color or shade.

Additionally, any background color or shading on the figures does not form part of our claimed design.

**1 Claim, 12 Drawing Sheets**

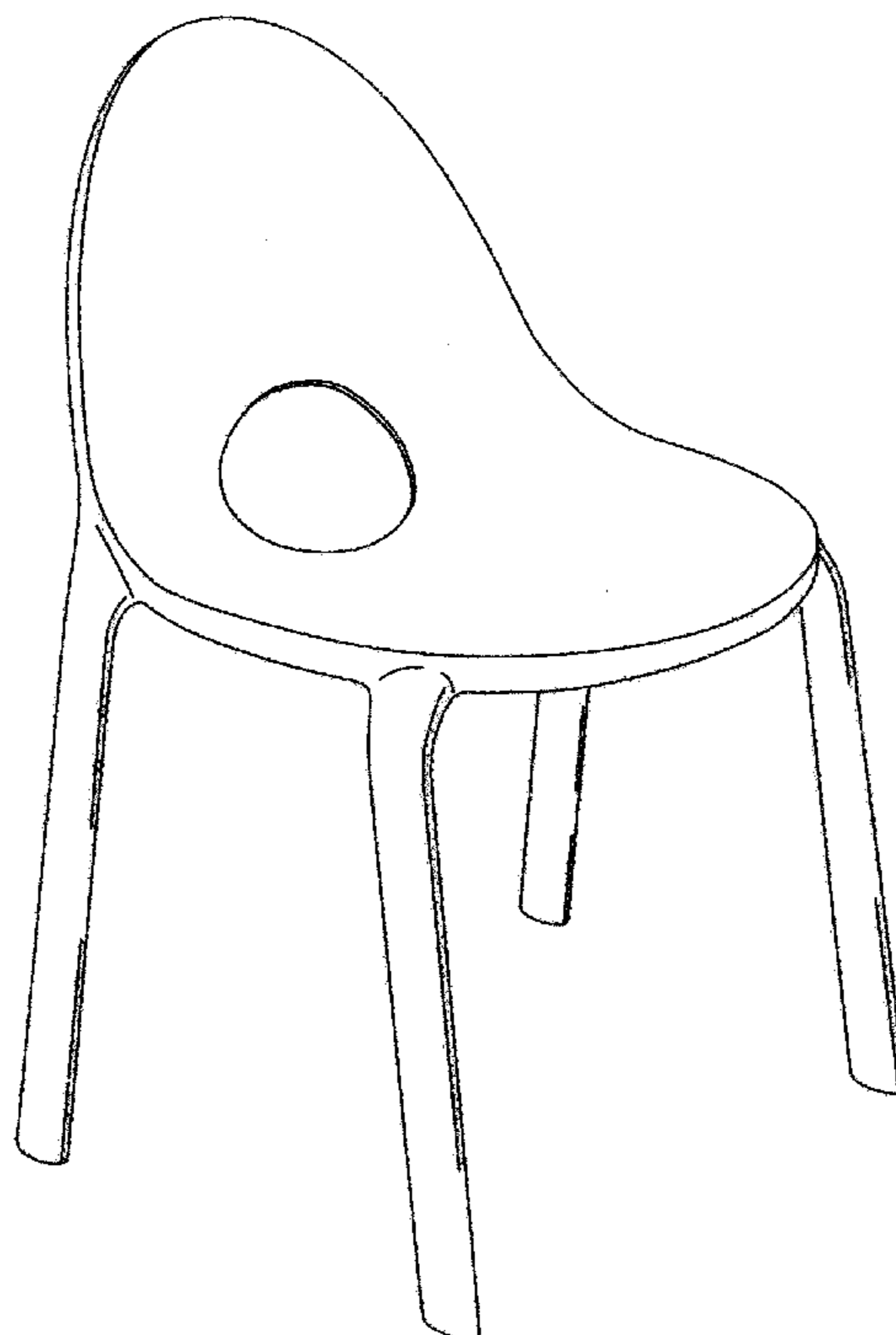


FIG. 1

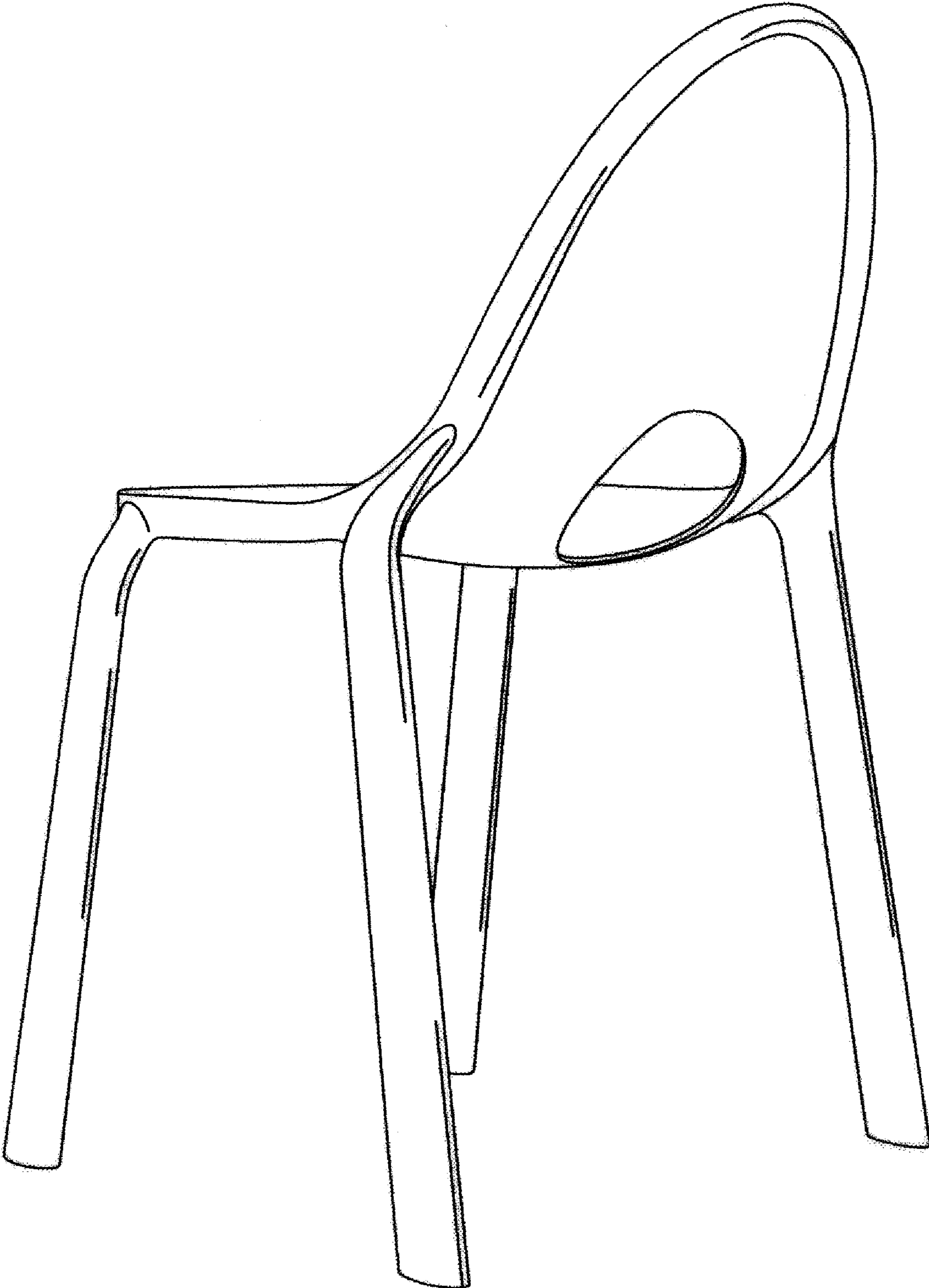


FIG. 2

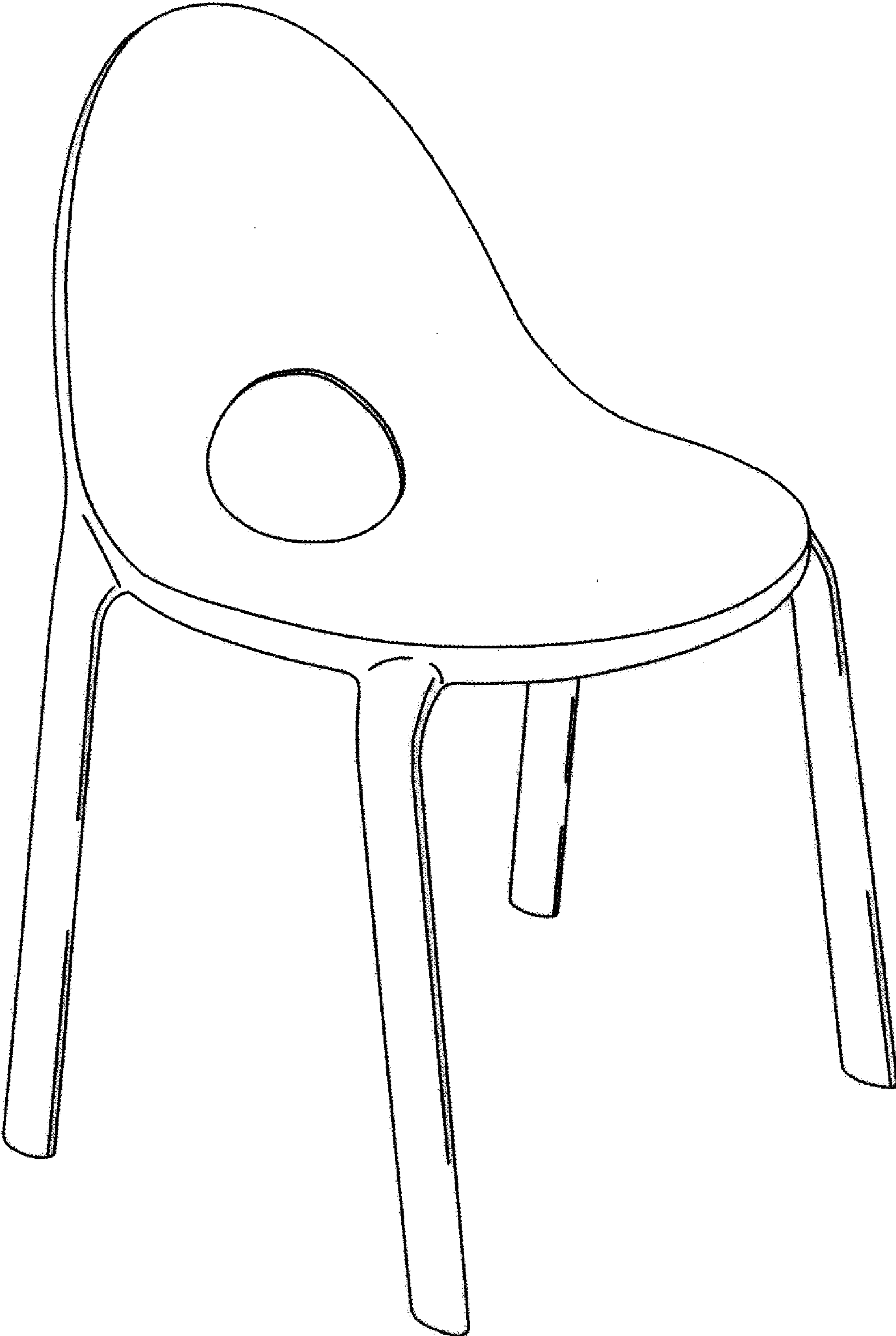


FIG. 3

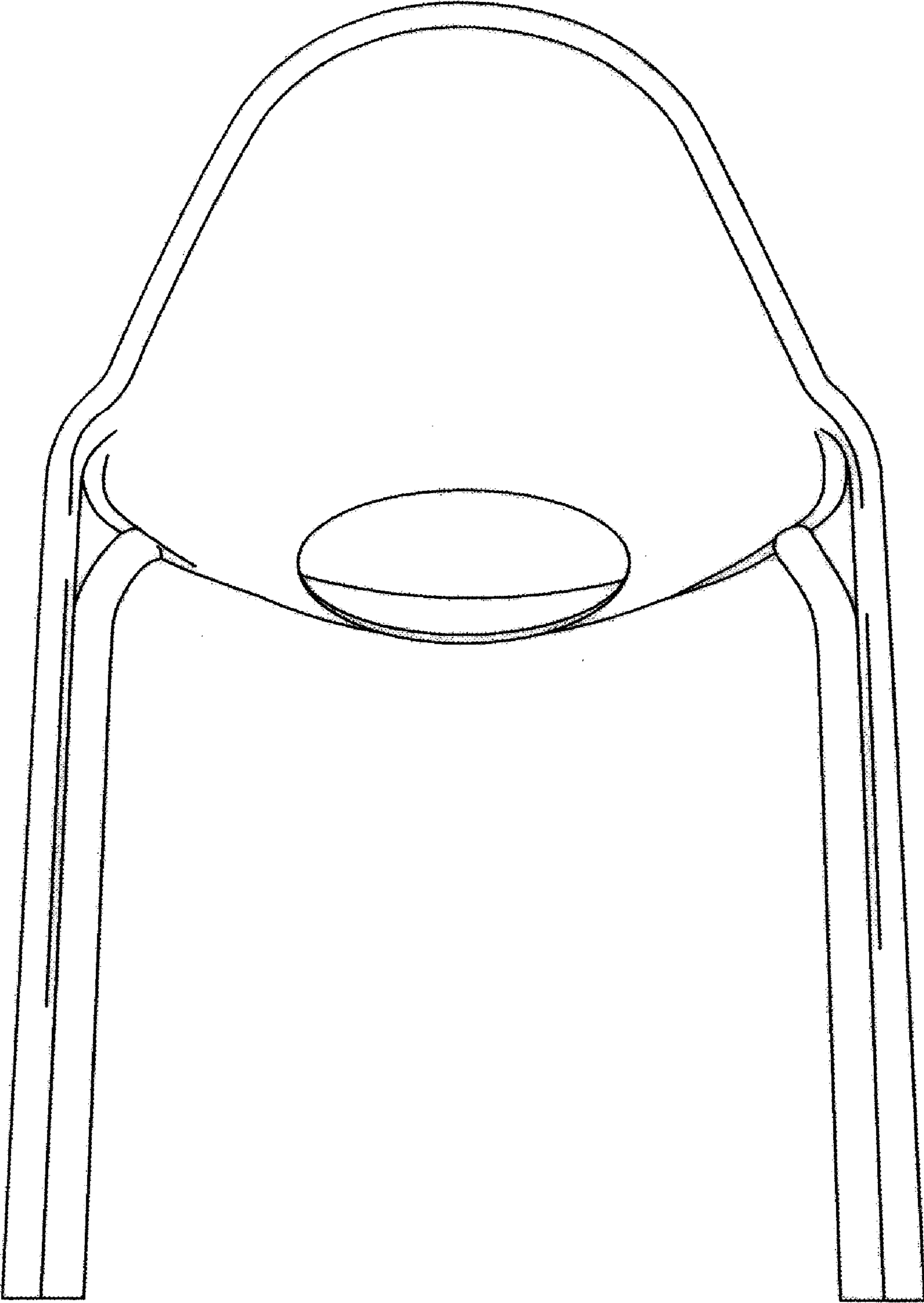


FIG. 4

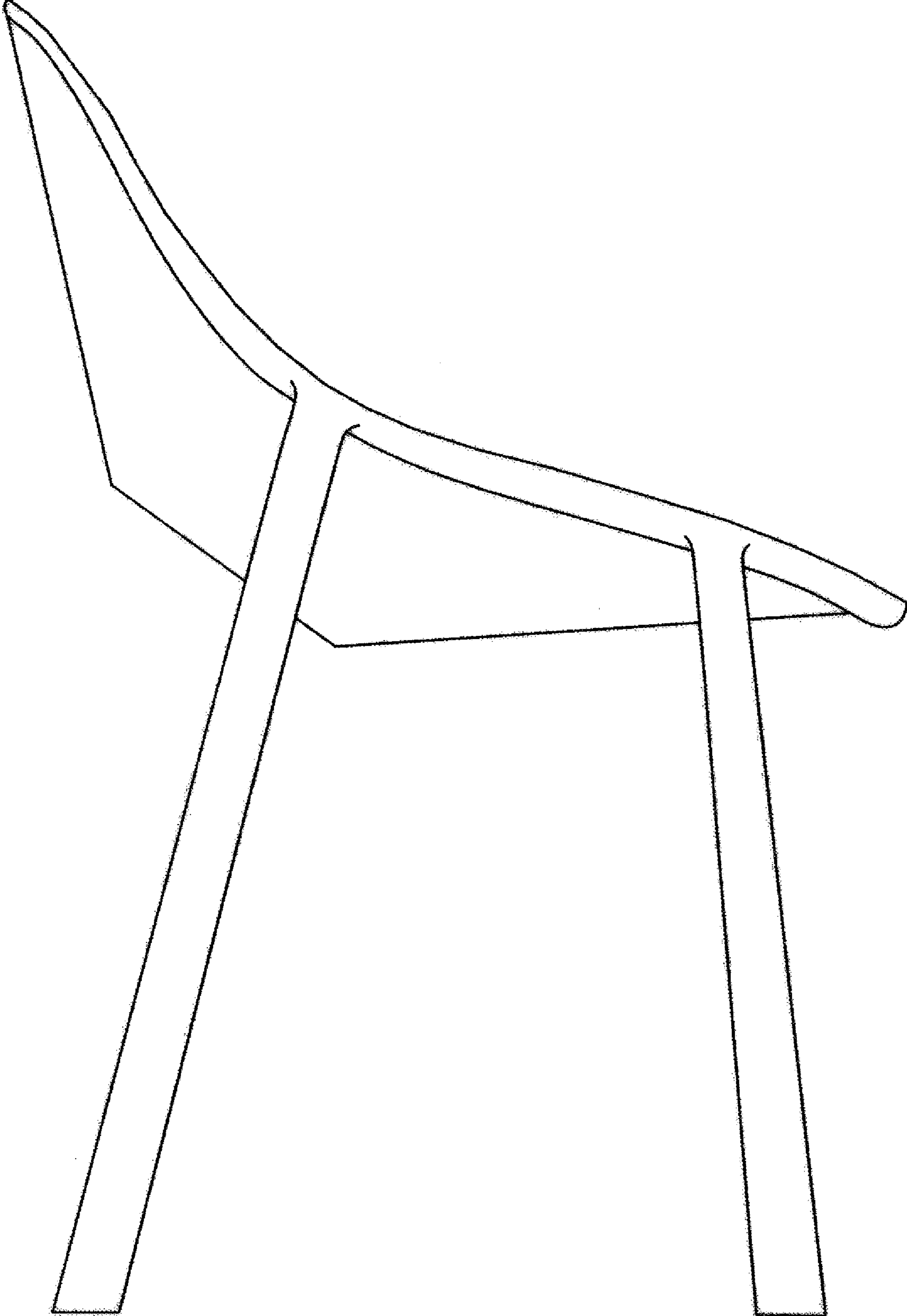


FIG. 5

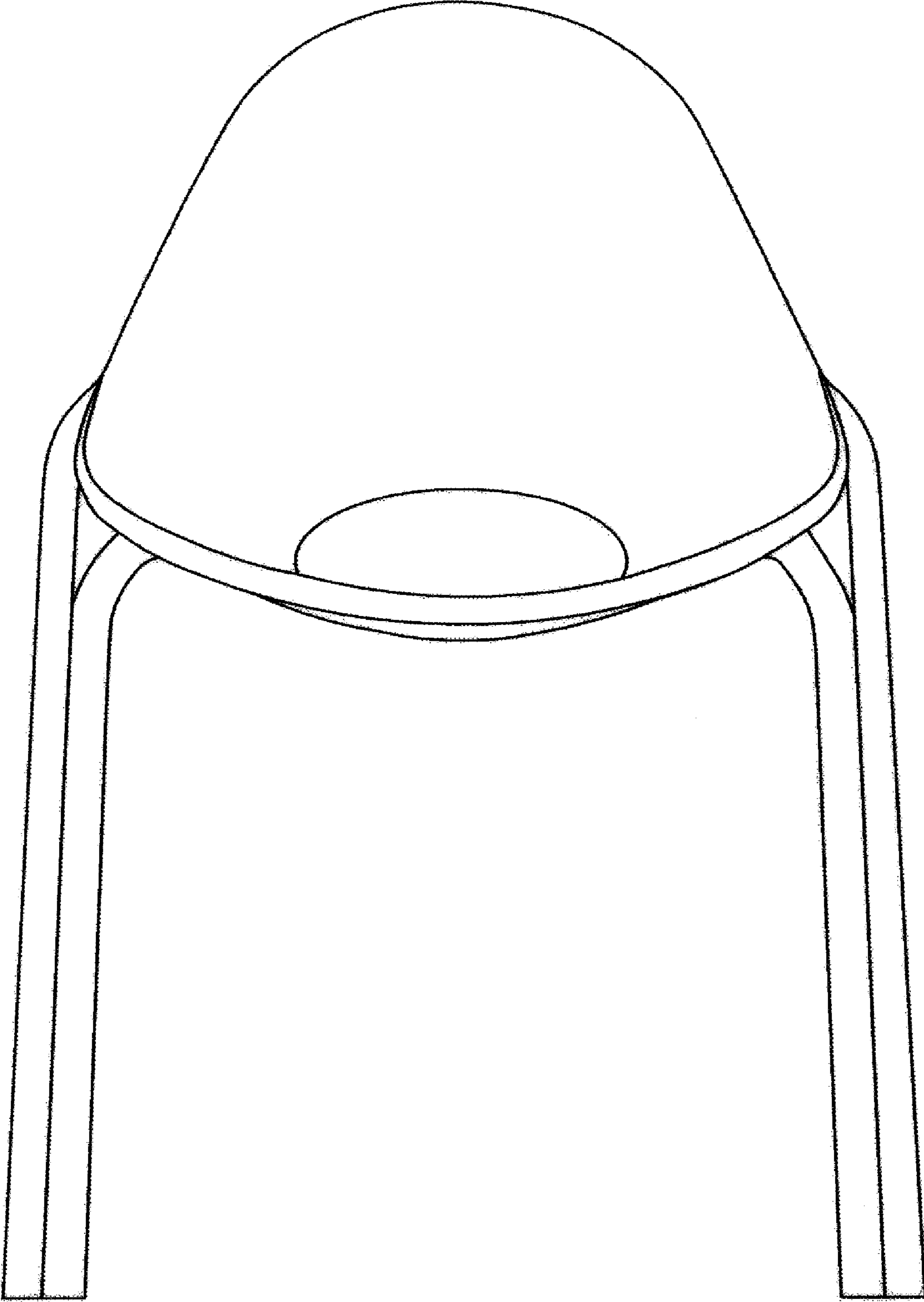


FIG. 6

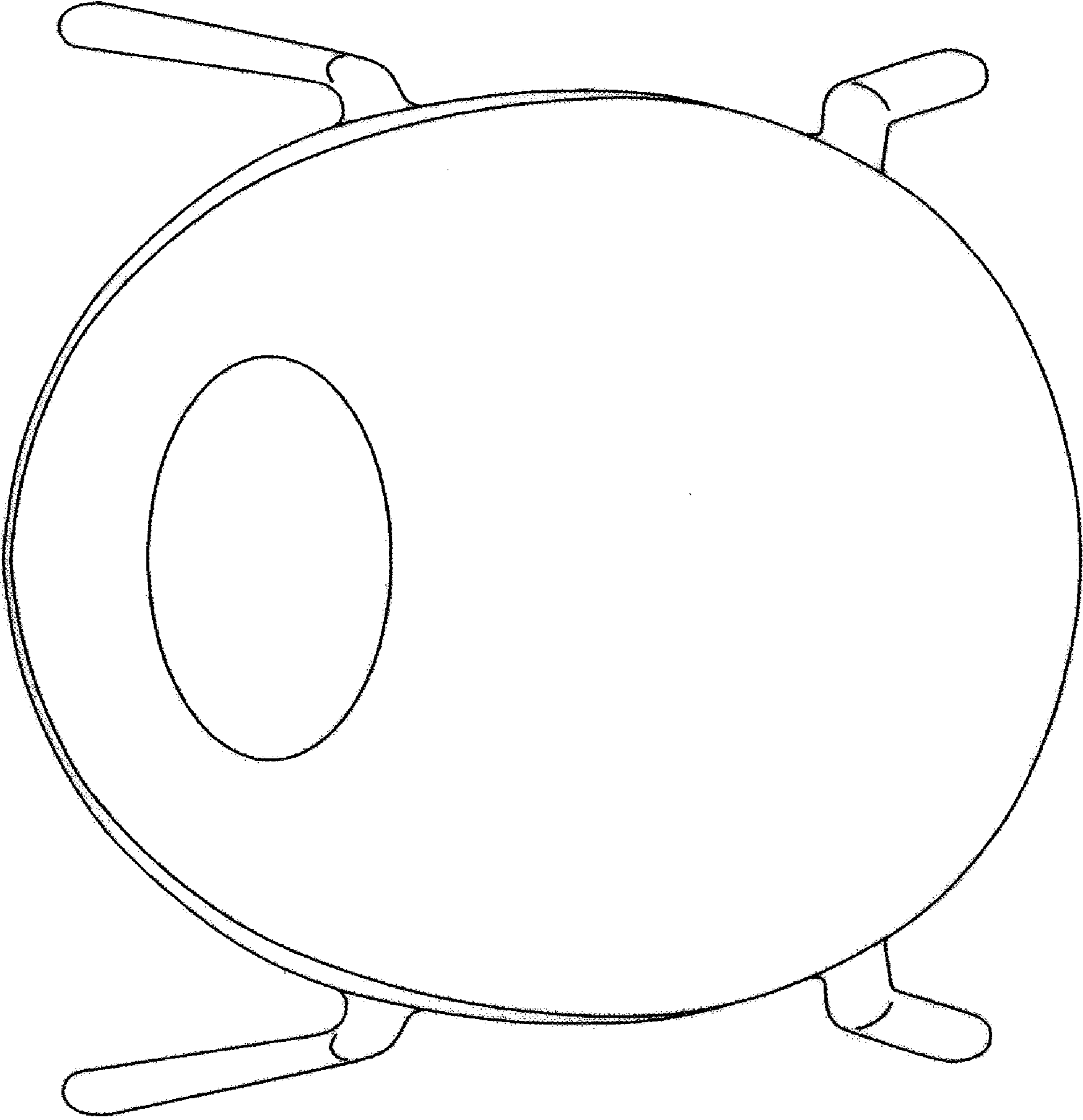


FIG. 7





FIG. 8



FIG. 9



FIG. 10



FIG. 11



FIG. 12

