



US00D650603S

(12) **United States Design Patent**
Petrucelli

(10) **Patent No.:** **US D650,603 S**

(45) **Date of Patent:** **** Dec. 20, 2011**

(54) **BARBER CHAIR**

(75) **Inventor:** **Giulio Petrucelli**, Flushing, NY (US)

(73) **Assignee:** **P.S. Pibbs, Inc.**, Flushing, NY (US)

(**) **Term:** **14 Years**

(21) **Appl. No.:** **29/348,718**

(22) **Filed:** **Jan. 29, 2010**

(51) **LOC (9) Cl.** **06-01**

(52) **U.S. Cl.** **D6/364**

(58) **Field of Classification Search** D6/334-336,
D6/364, 365, 366, 367, 374, 379, 380, 500-502;
297/71, 90, 180.14, 188.18, 238, 325, 330,
297/338, 339, 340, 344.13, 344.19, 411.27
See application file for complete search history.

(56) **References Cited**

U.S. PATENT DOCUMENTS

1,612,416	A *	12/1926	Casale et al.	297/238
1,699,460	A *	1/1929	Bayard	297/325
1,756,756	A *	4/1930	Mitchell	297/339
1,843,564	A *	2/1932	Koken	297/344.13
1,852,811	A *	4/1932	Koken et al.	297/82
1,948,786	A *	2/1934	Dorrell	297/338
2,637,370	A *	5/1953	Vizza	297/338
2,703,134	A *	3/1955	Mossor	297/180.14
2,884,047	A *	4/1959	Abbott	297/339
3,131,967	A *	5/1964	Spaulding	297/180.14

3,140,892	A *	7/1964	Shubart et al.	297/71
3,219,306	A *	11/1965	Johnson et al.	297/344.19
3,271,070	A *	9/1966	Dlouhy et al.	297/188.18

* cited by examiner

Primary Examiner — Mimoso De

(74) *Attorney, Agent, or Firm* — Gerald E. Hespos; Michael J. Porco

(57) **CLAIM**

The ornamental design for a barber chair, as shown and described.

DESCRIPTION

FIG. 1 is a perspective view of a barber chair showing my new design;

FIG. 2 is a left side elevational view of the barber chair of FIG. 1;

FIG. 3 is a right side elevational view of the barber chair of FIG. 1;

FIG. 4 is a back elevational view of the barber chair of FIG. 1;

FIG. 5 is a front elevational view of the barber chair of FIG. 1;

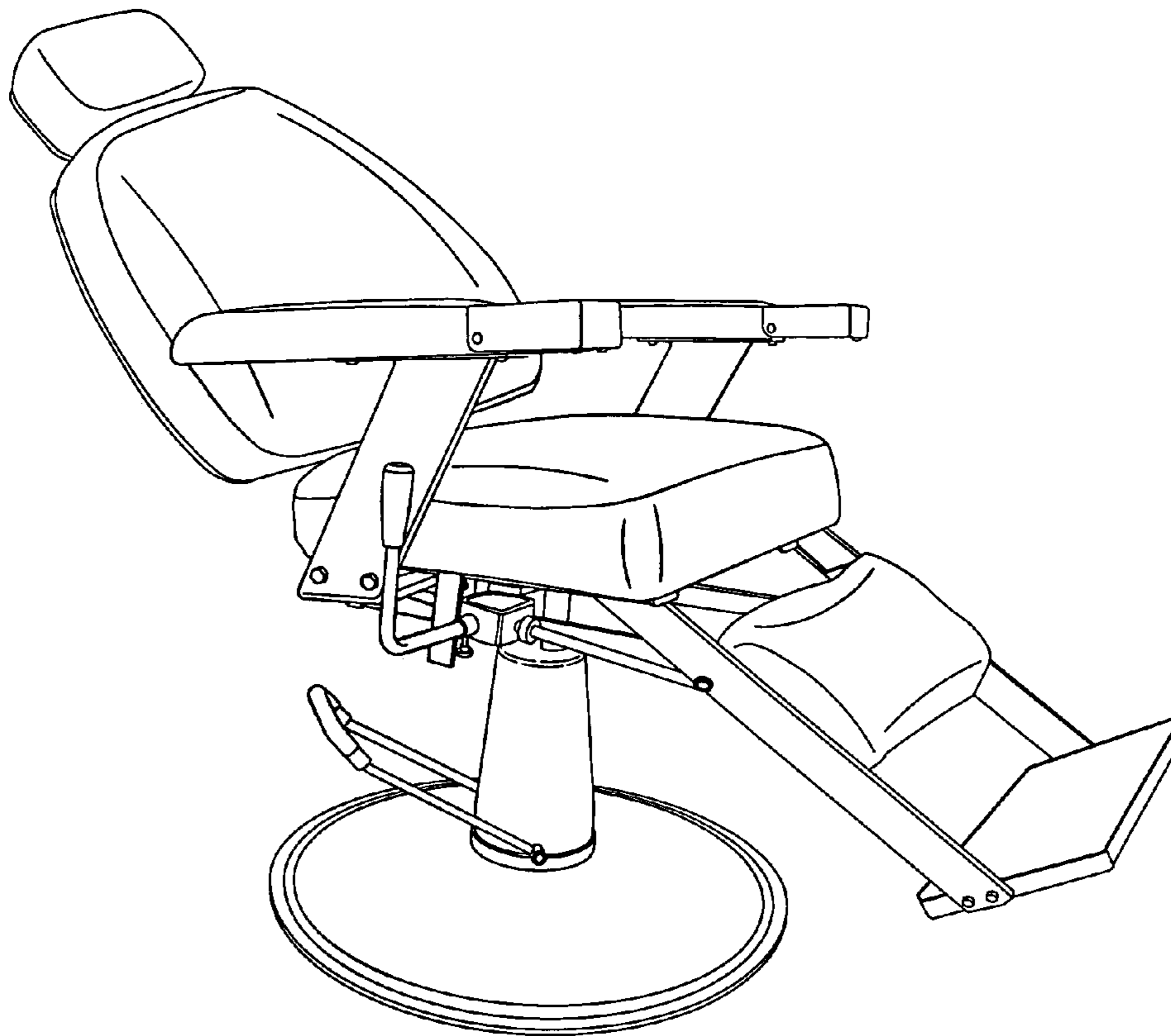
FIG. 6 is a bottom plan view of the barber chair of FIG. 1;

FIG. 7 is a top plan view of the barber chair of FIG. 1; and,

FIG. 8 is a perspective view of the barber chair of FIG. 1 in the tilted reclined position.

The broken lines shown in FIG. 6 are for illustrative purposes only and form no part of the claimed design.

1 Claim, 8 Drawing Sheets



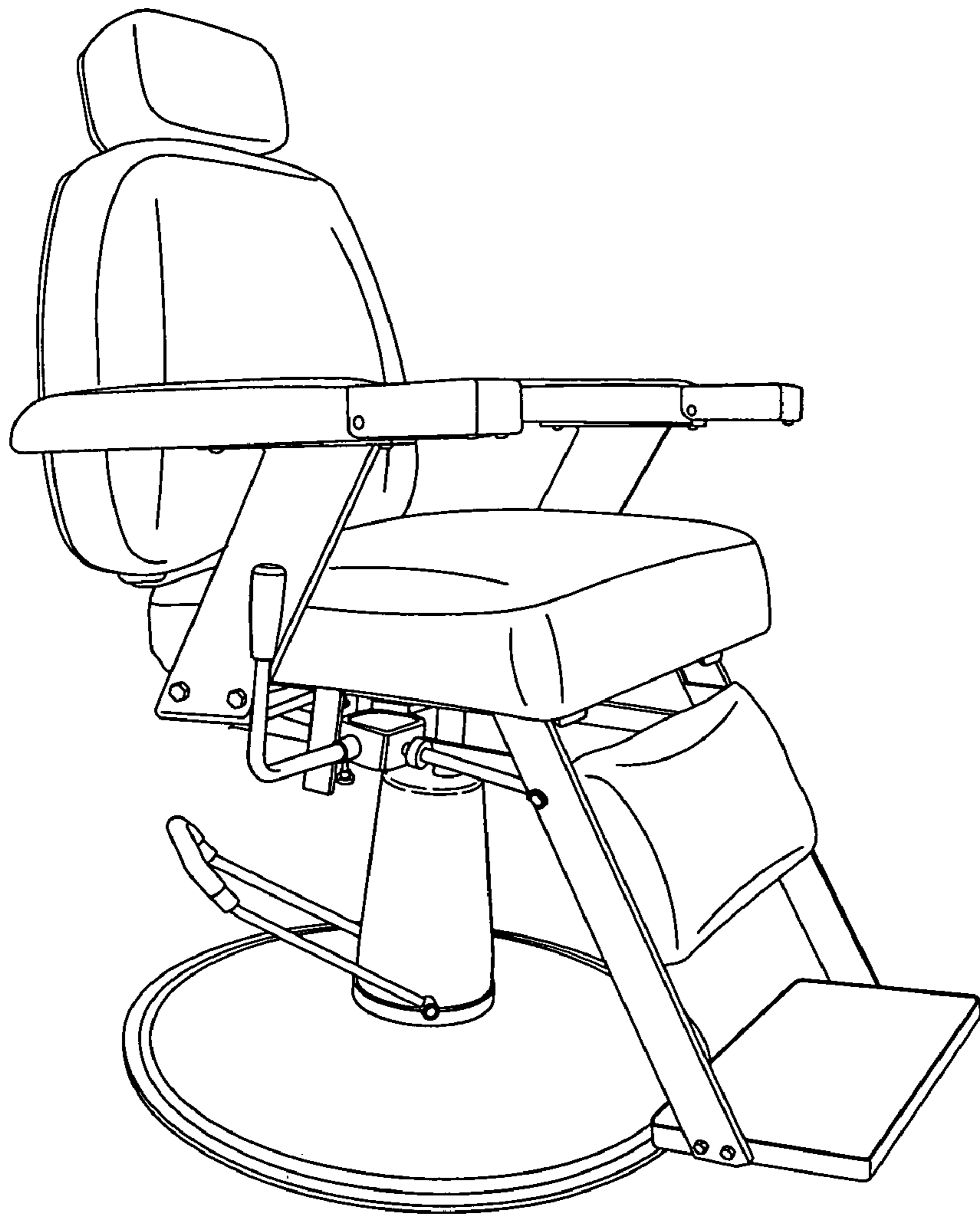


FIG. 1

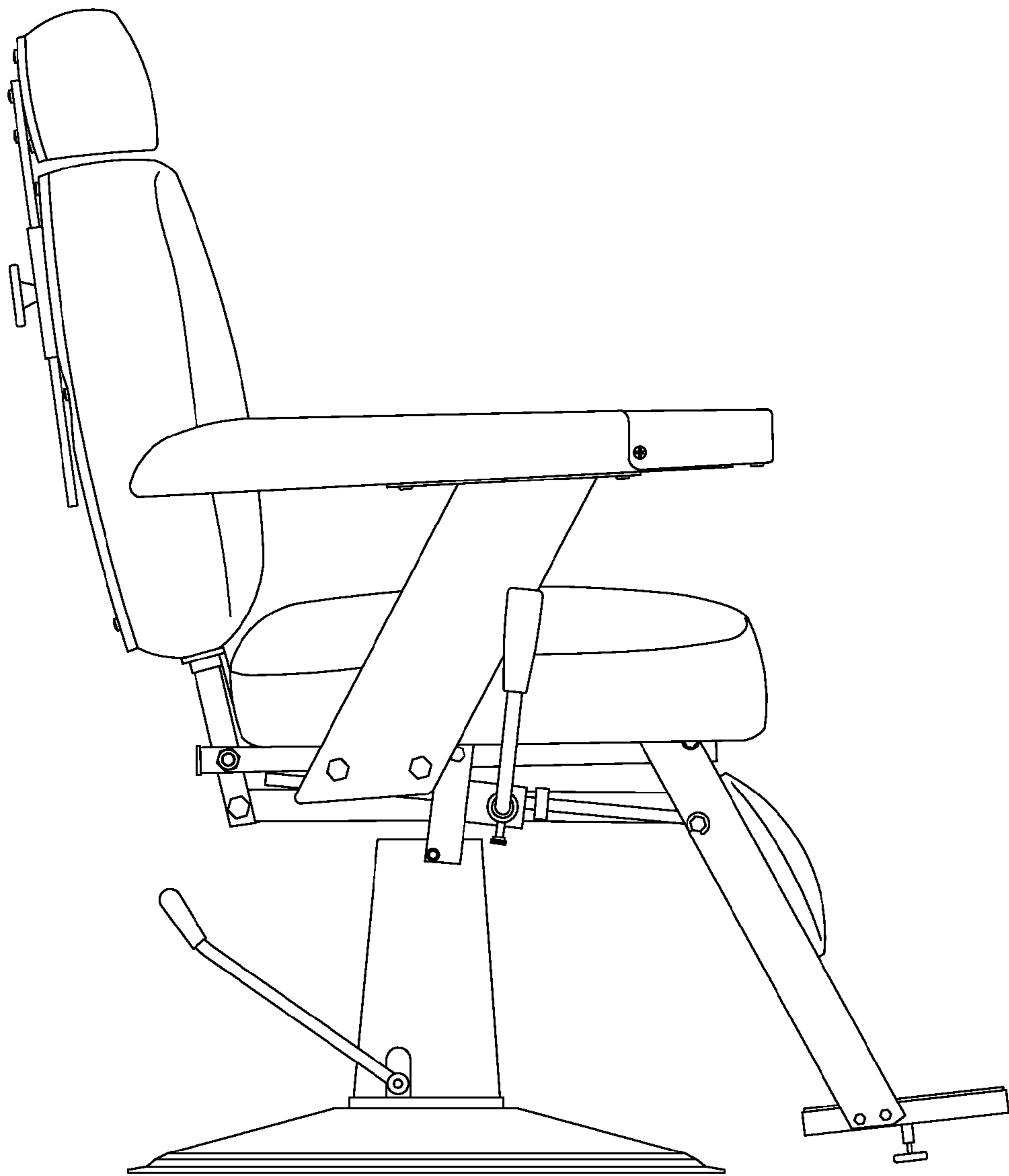


FIG. 2

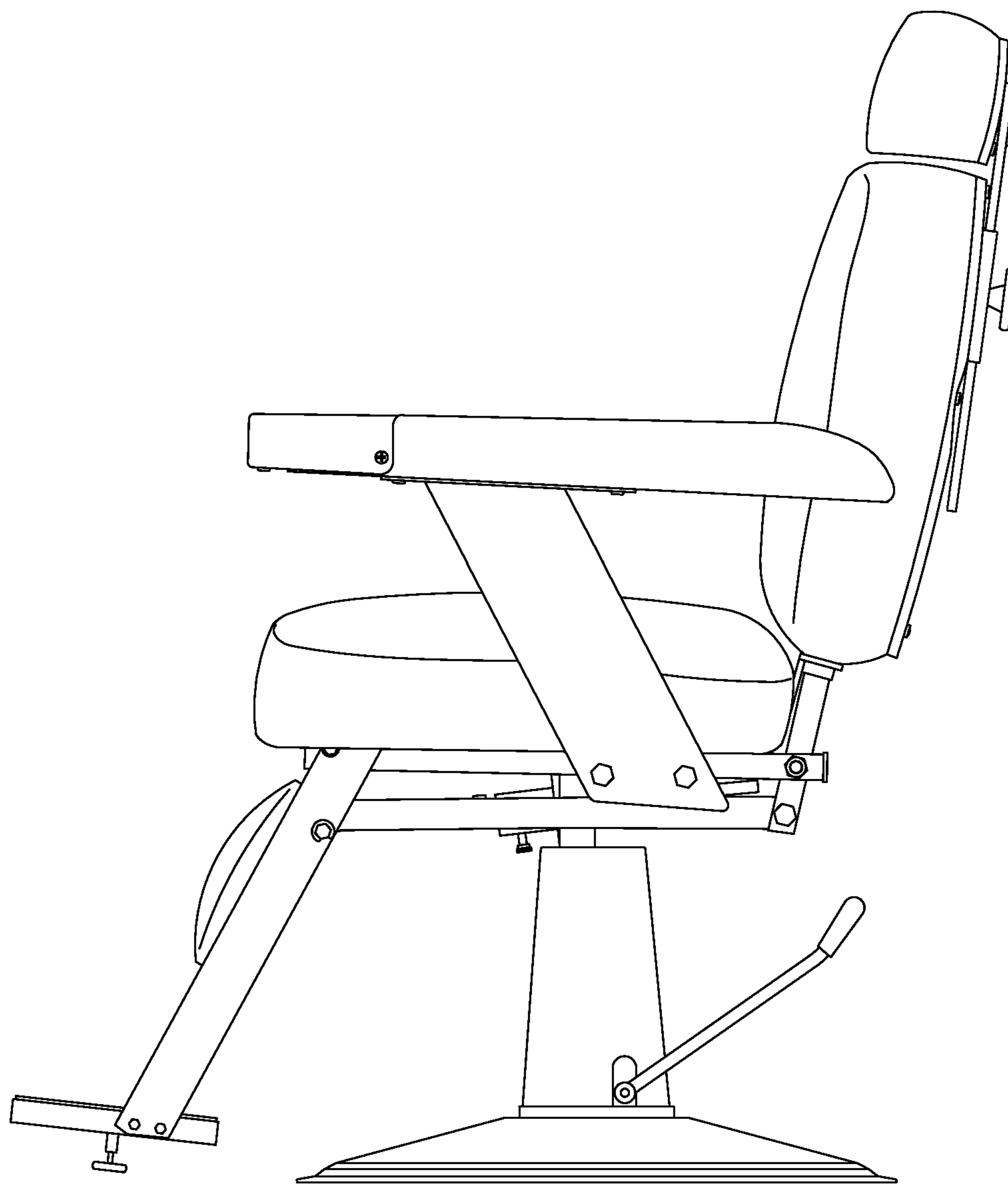


FIG. 3

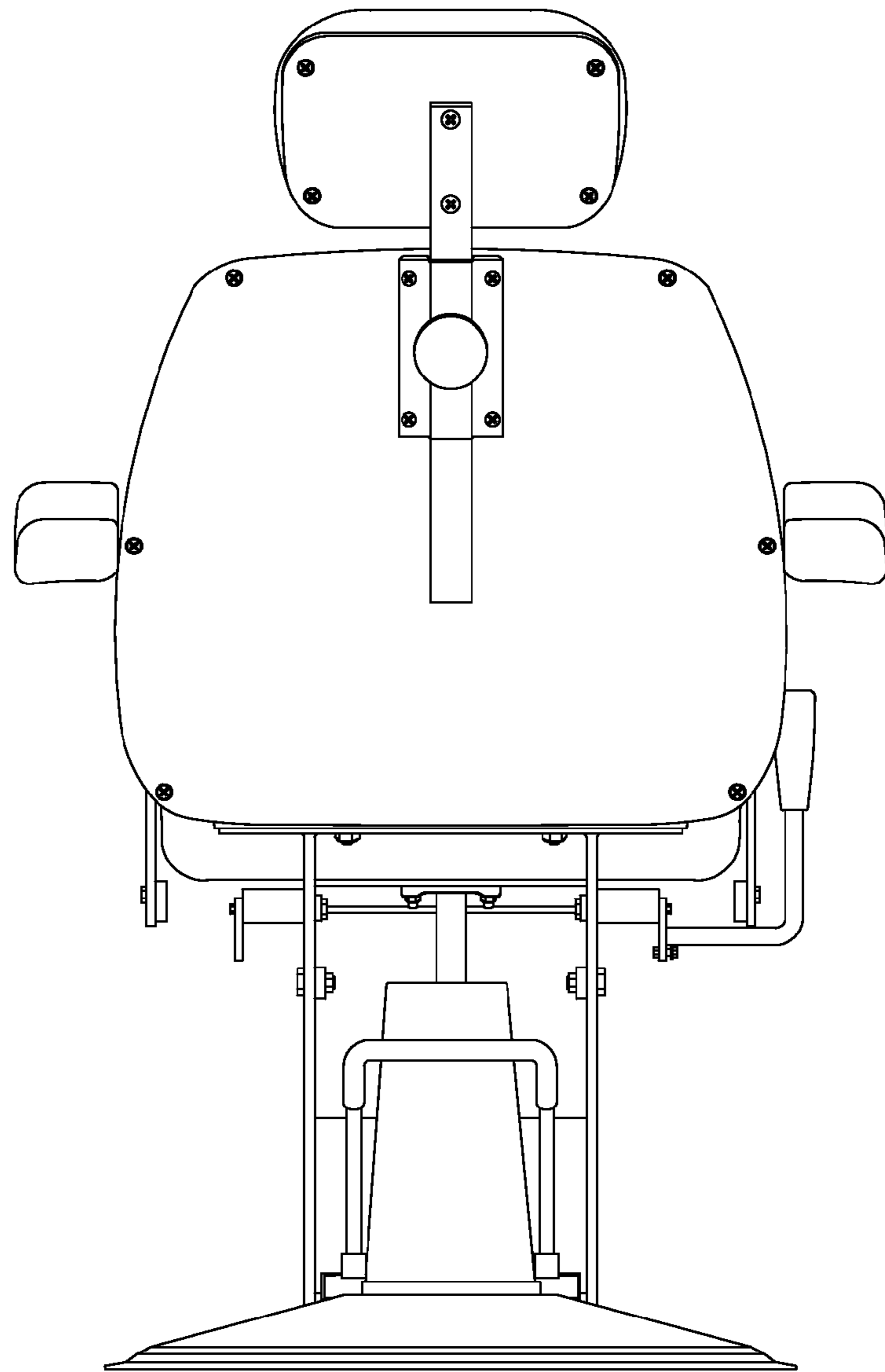


FIG. 4

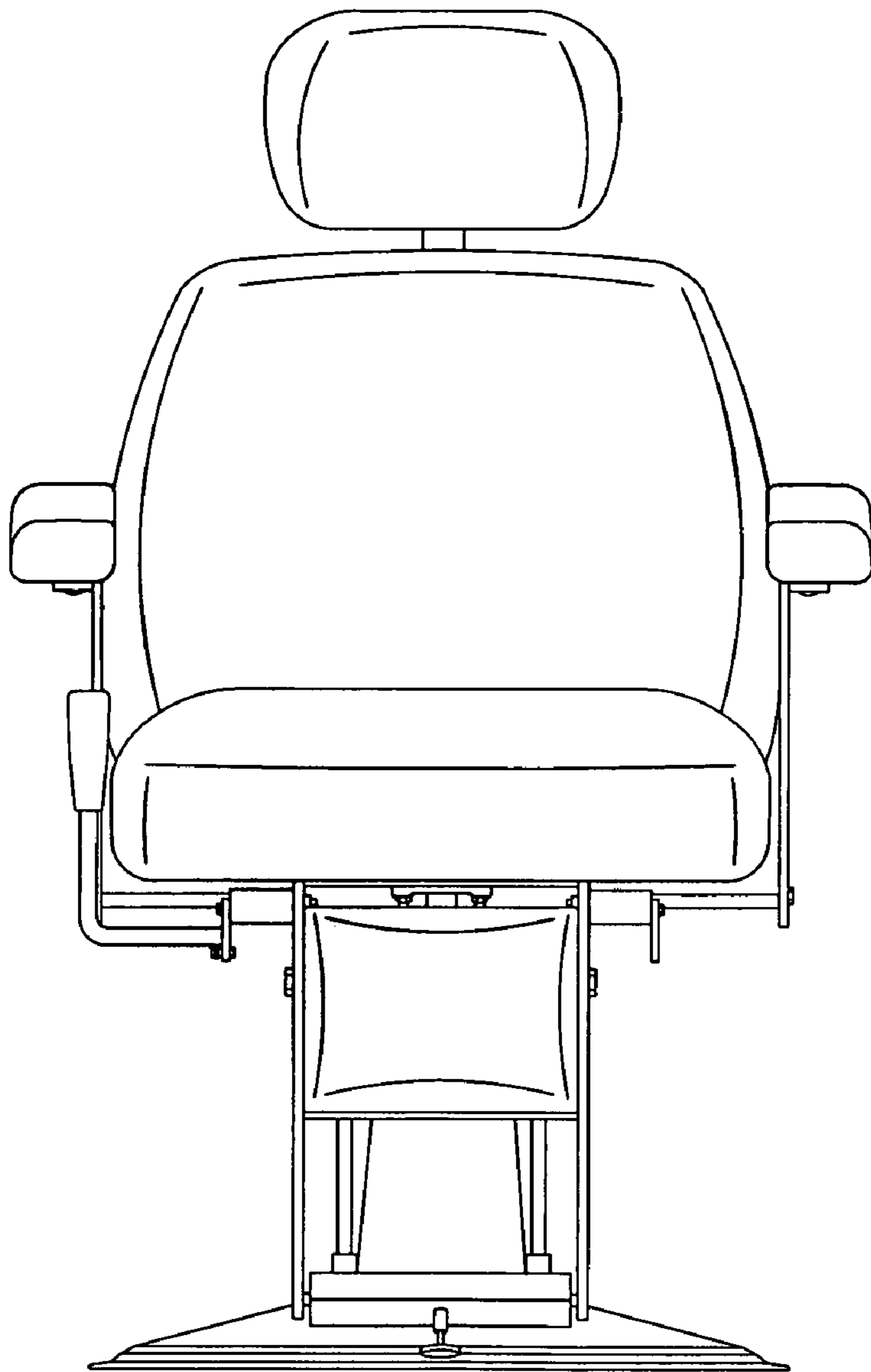


FIG. 5

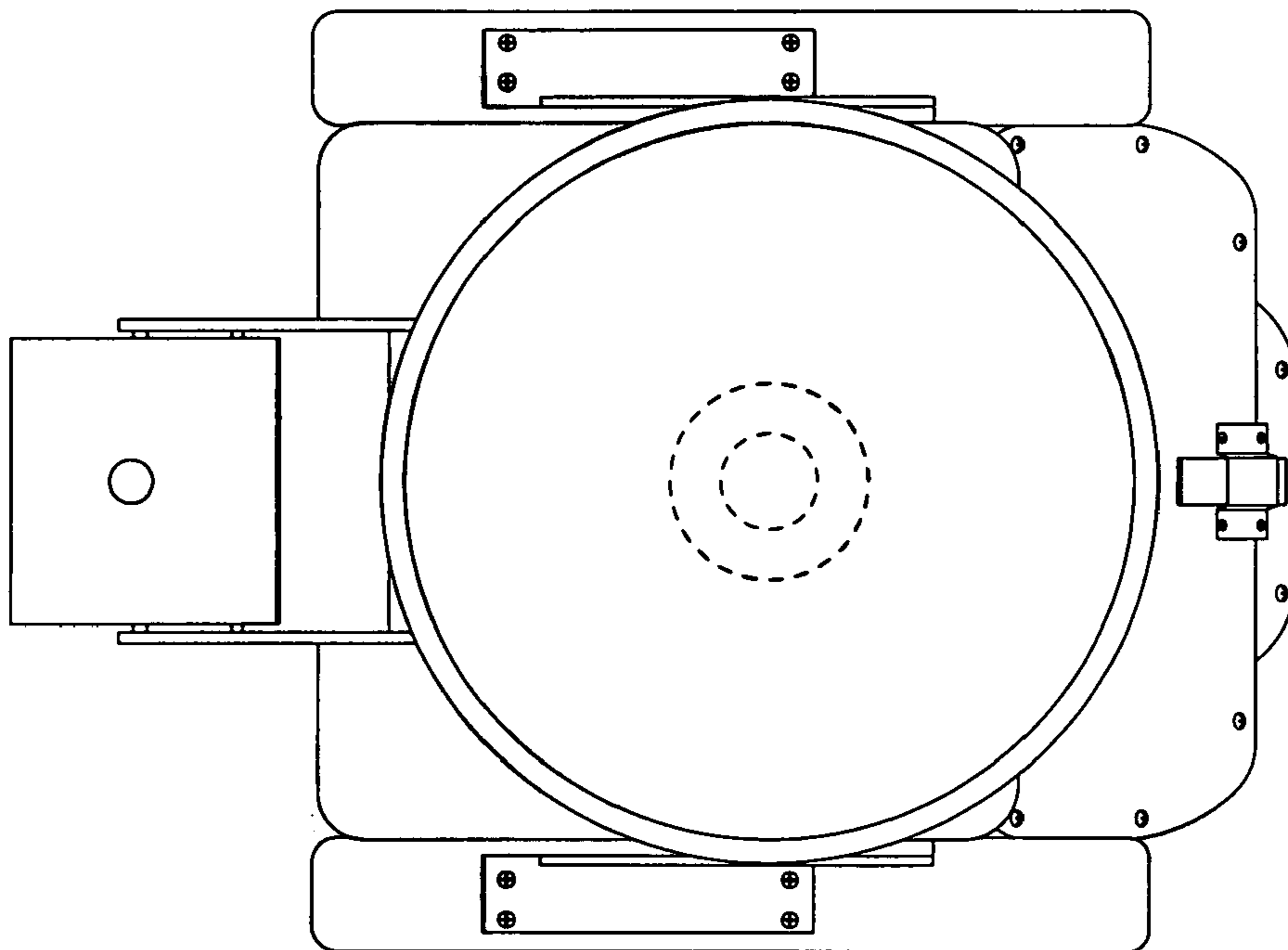


FIG. 6

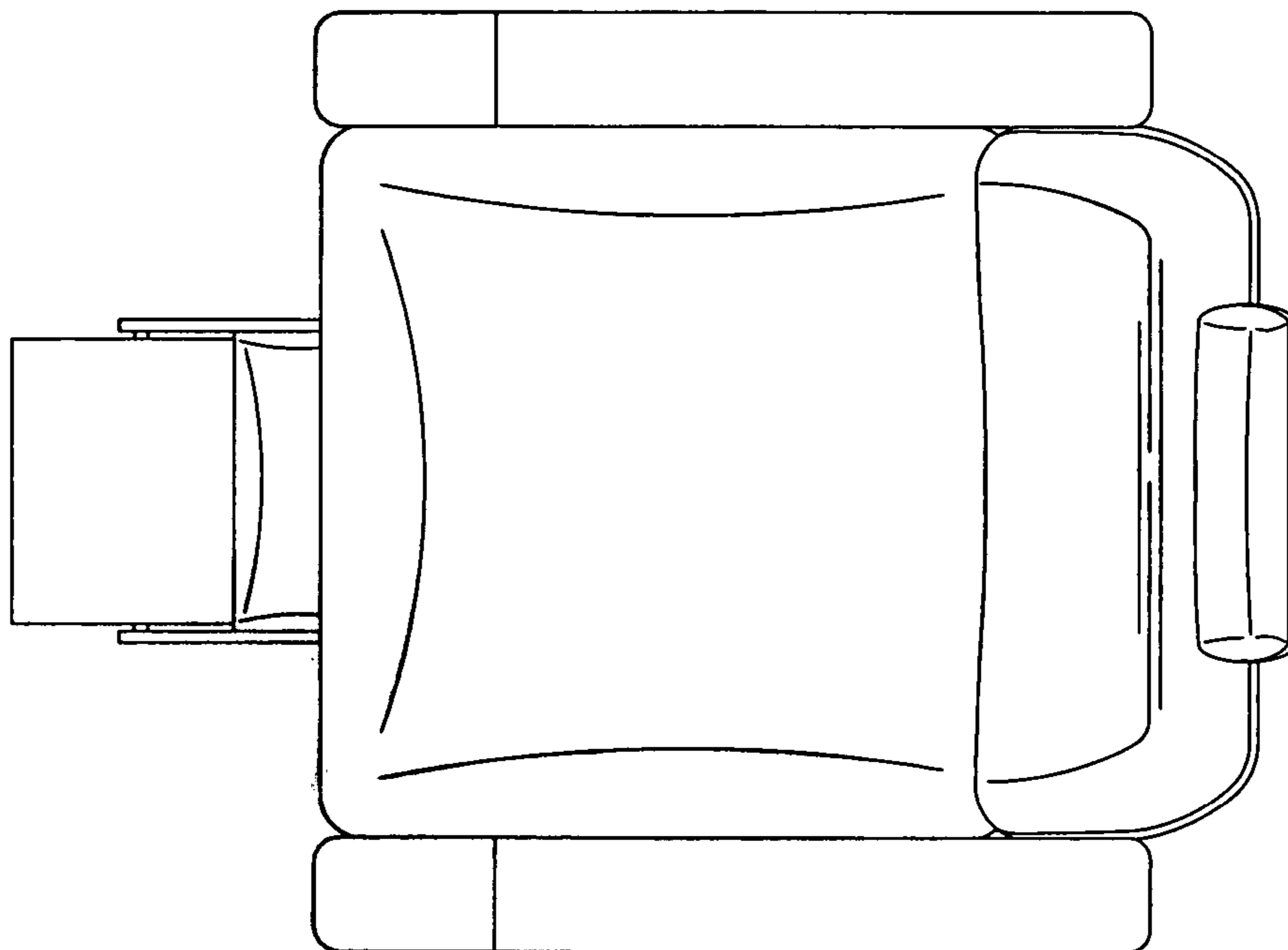


FIG. 7

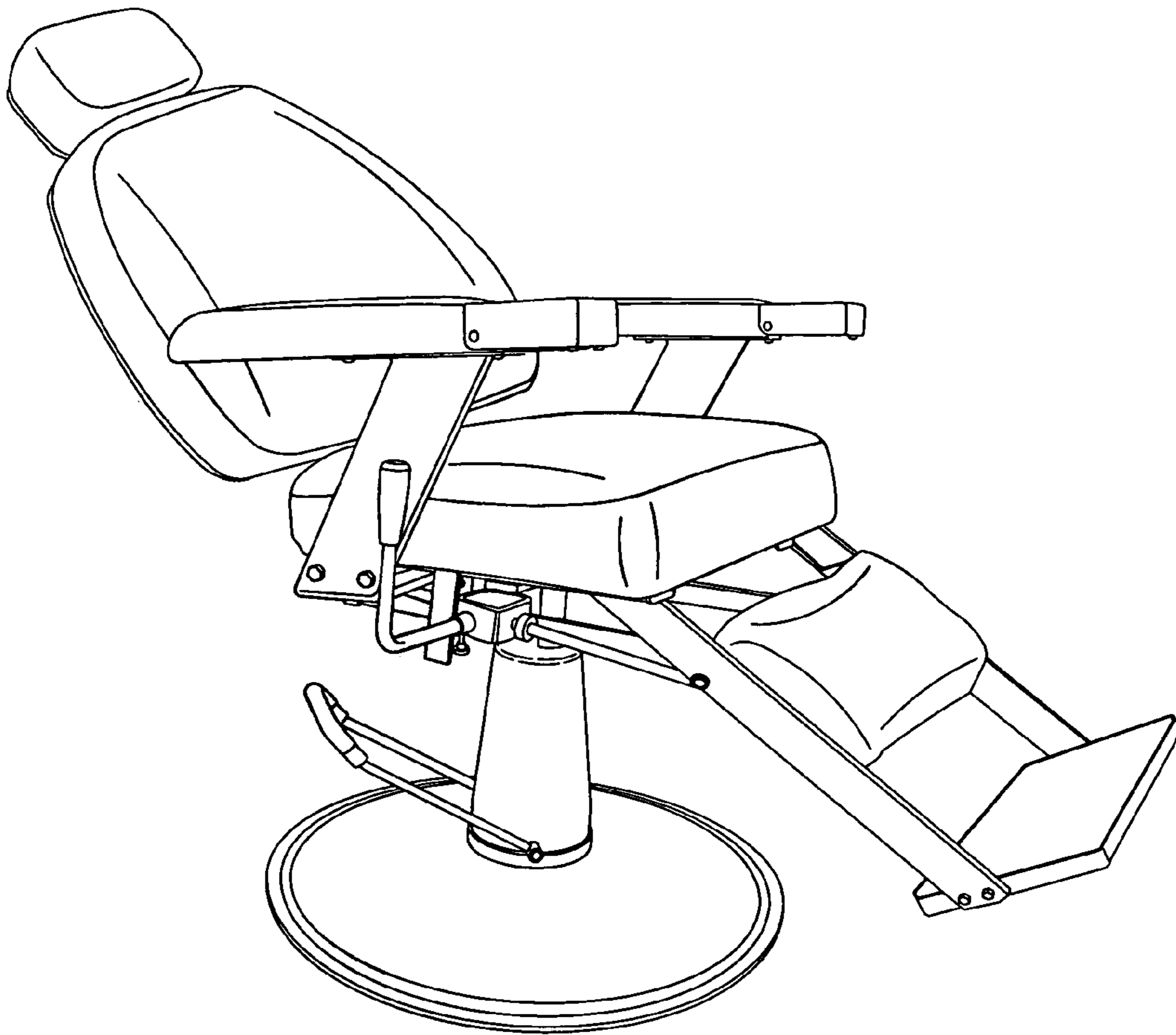


FIG. 8