



US00D650600S

(12) **United States Design Patent**
Hsu

(10) **Patent No.:** **US D650,600 S**

(45) **Date of Patent:** **** Dec. 20, 2011**

(54) **STEP STOOL**

(75) Inventor: **Chiung Yueh Hsu**, Hemei Township,
Changhua County (TW)

(73) Assignee: **Hsiang Fu Chia Enterprise Co., Ltd.**,
Changhua County (TW)

(**) Term: **14 Years**

(21) Appl. No.: **29/388,603**

(22) Filed: **Mar. 31, 2011**

(51) **LOC (9) Cl.** **06-01**

(52) **U.S. Cl.** **D6/349**

(58) **Field of Classification Search** D6/335,
D6/336, 337, 338, 339, 349, 350, 351, 352,
D6/353; 291/175, 451.2, 452.11, 452.12,
291/461, 462; 5/12.1, 12.2

See application file for complete search history.

(56) **References Cited**

U.S. PATENT DOCUMENTS

D184,390 S * 2/1959 Cramer D6/350
D216,508 S * 1/1970 Dottinger D6/350

3,559,761 A * 2/1971 Wehner 182/15
3,599,750 A * 8/1971 Serwer 182/15
D244,494 S * 5/1977 Dottinger D6/350
D262,419 S * 12/1981 Cramer D6/350
D524,069 S * 7/2006 Lim D6/350
D570,125 S * 6/2008 Gonzalez D6/350
D640,878 S * 7/2011 Huang et al. D6/350

* cited by examiner

Primary Examiner — Sandra Snapp

(74) *Attorney, Agent, or Firm* — Leong C. Lei

(57) **CLAIM**

The ornamental design for a step stool, as shown and described.

DESCRIPTION

FIG. 1 is a front perspective view of a step stool showing my new design;

FIG. 2 is a front elevational view thereof;

FIG. 3 is a rear elevational view thereof;

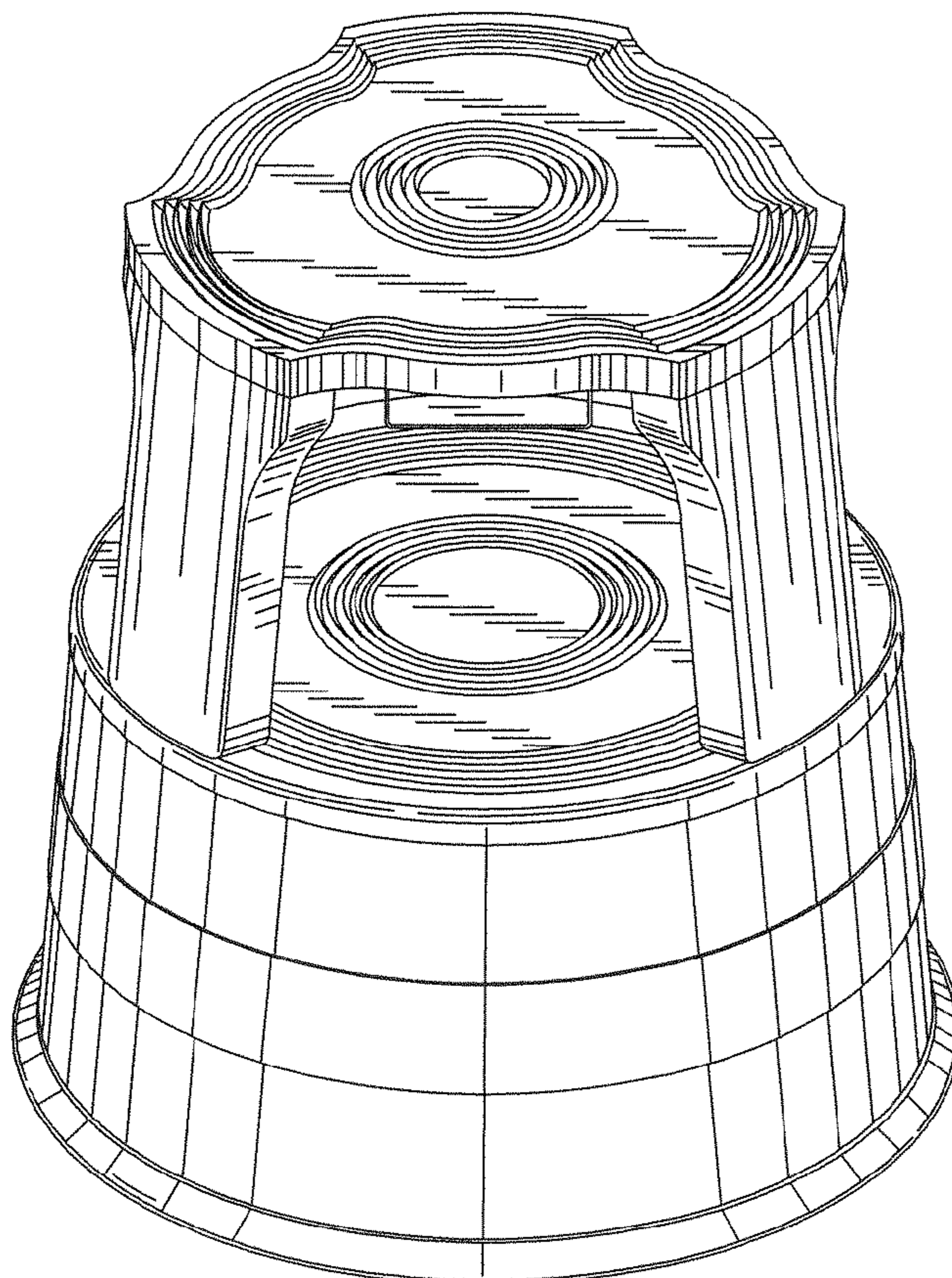
FIG. 4 is a left elevational view thereof;

FIG. 5 is a right elevational view thereof;

FIG. 6 is a top plan view thereof; and,

FIG. 7 is a bottom plan view thereof.

1 Claim, 4 Drawing Sheets



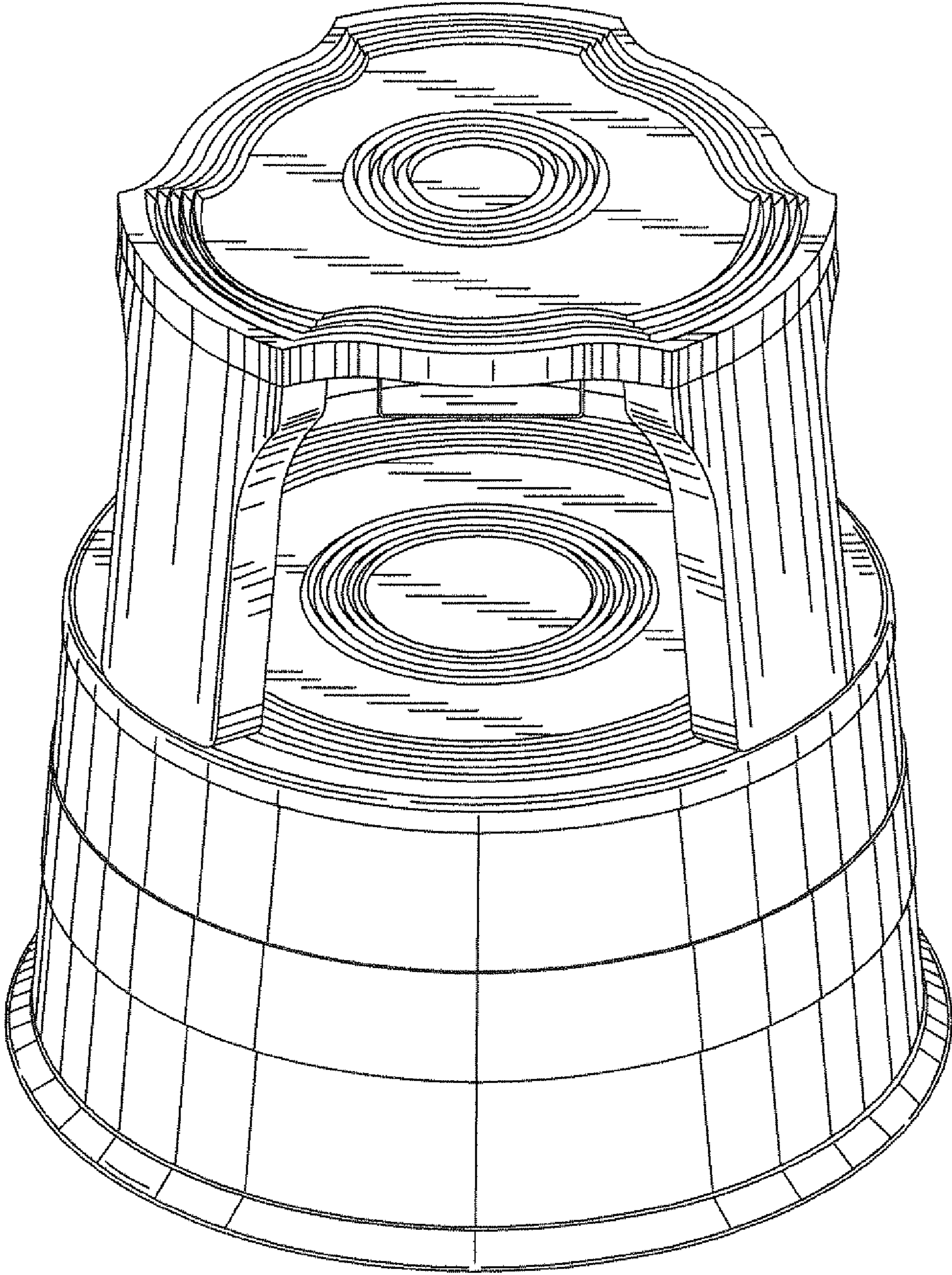


FIG. 1

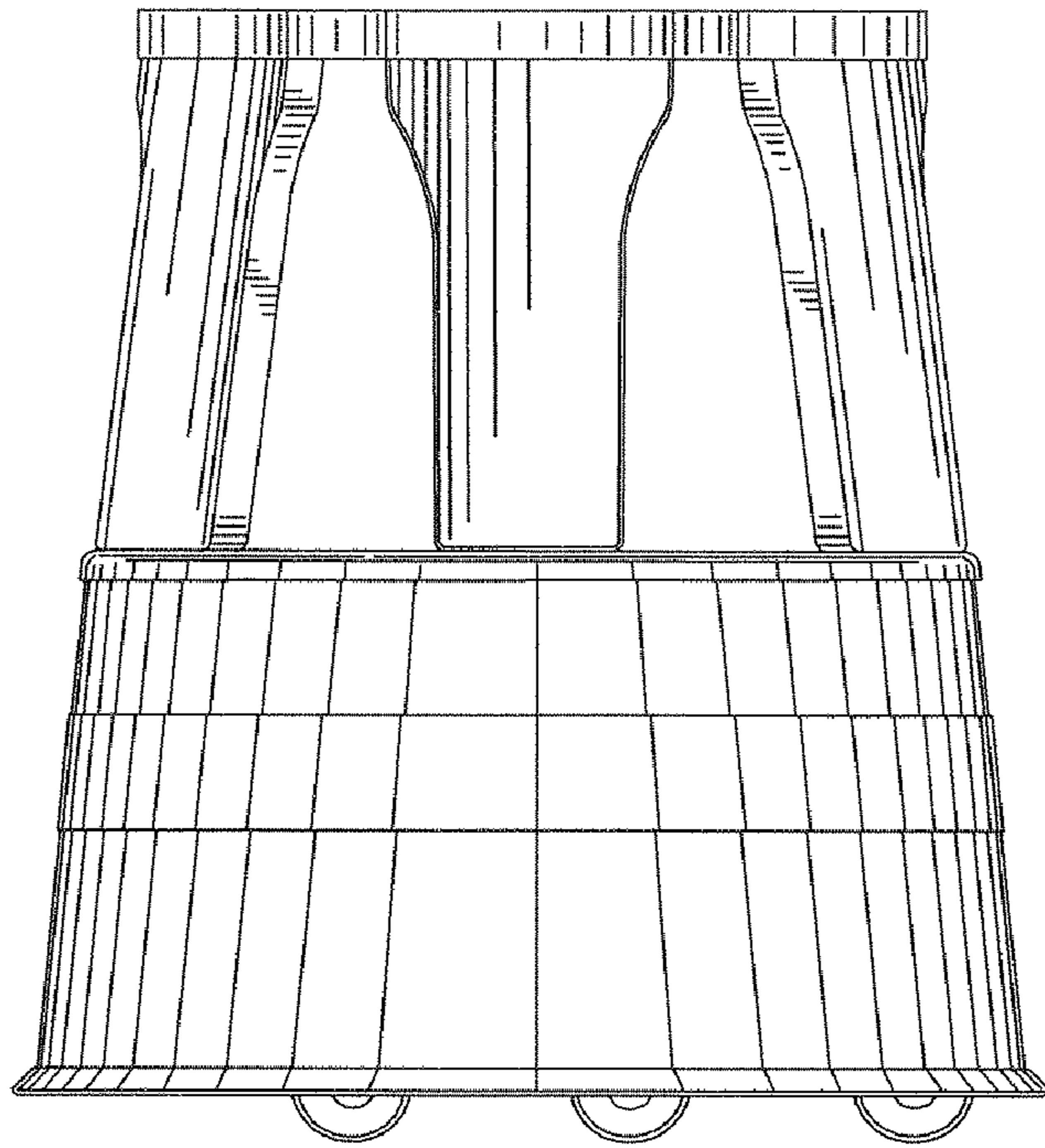


FIG. 2

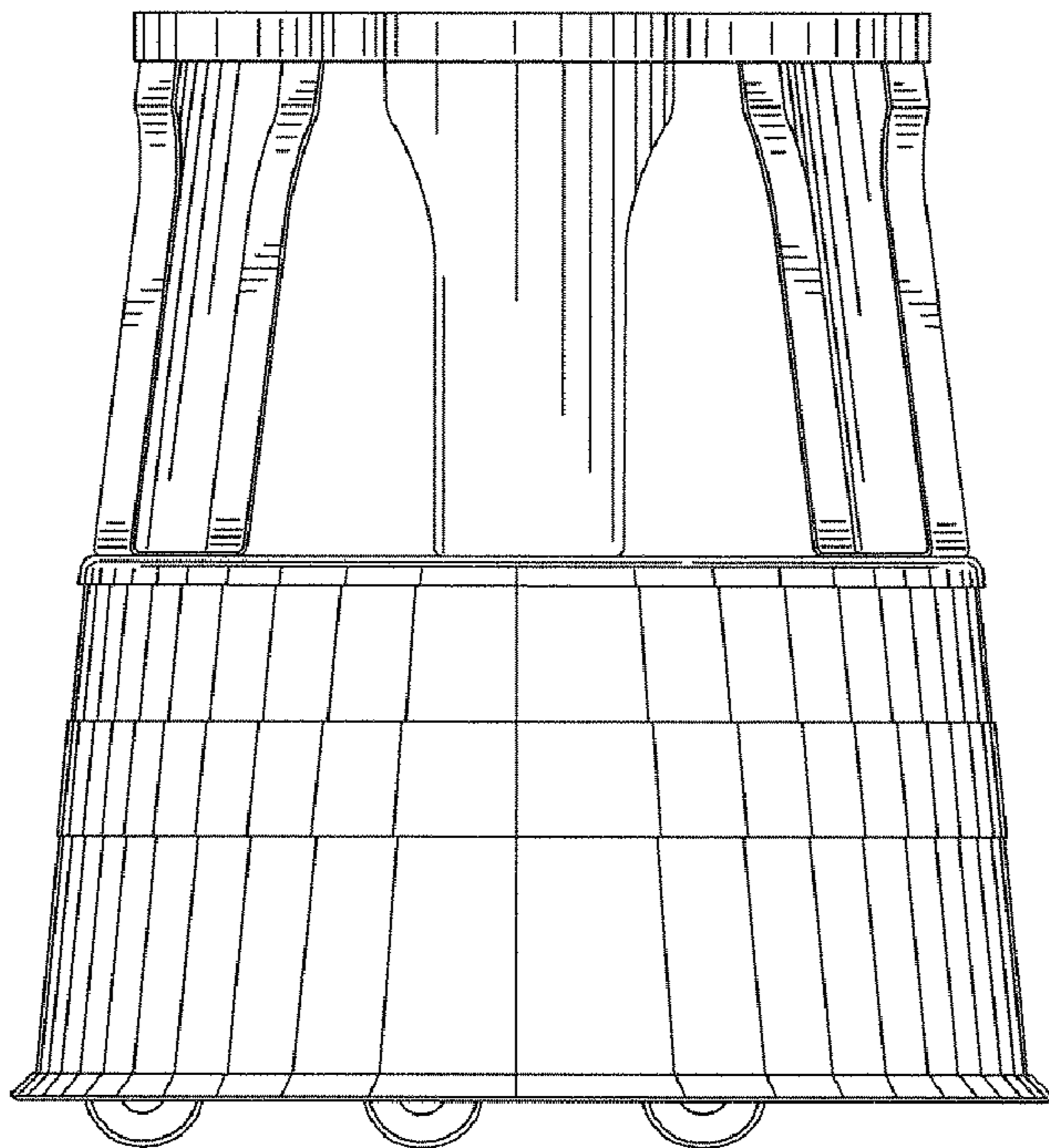


FIG. 3

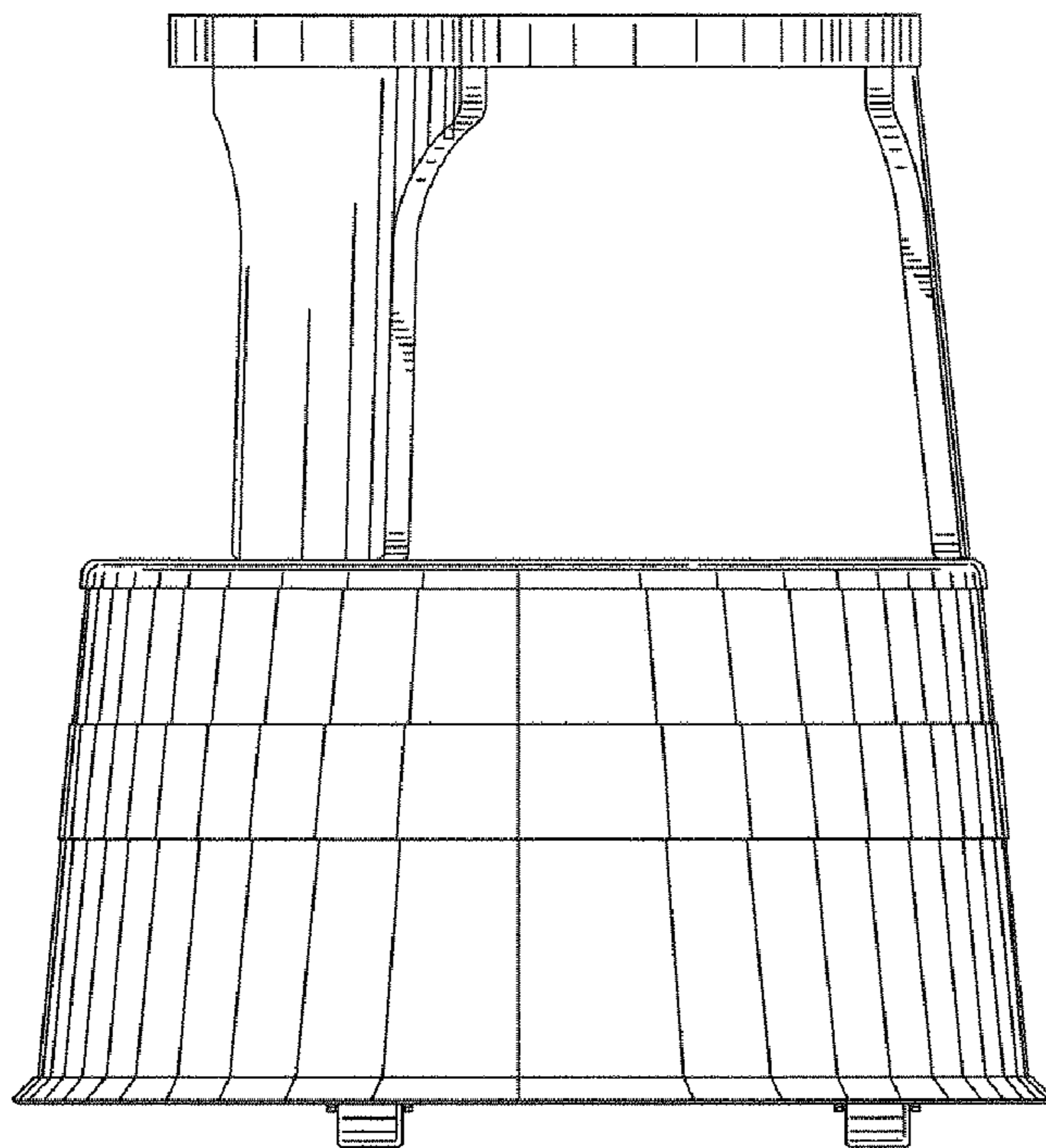


FIG. 4

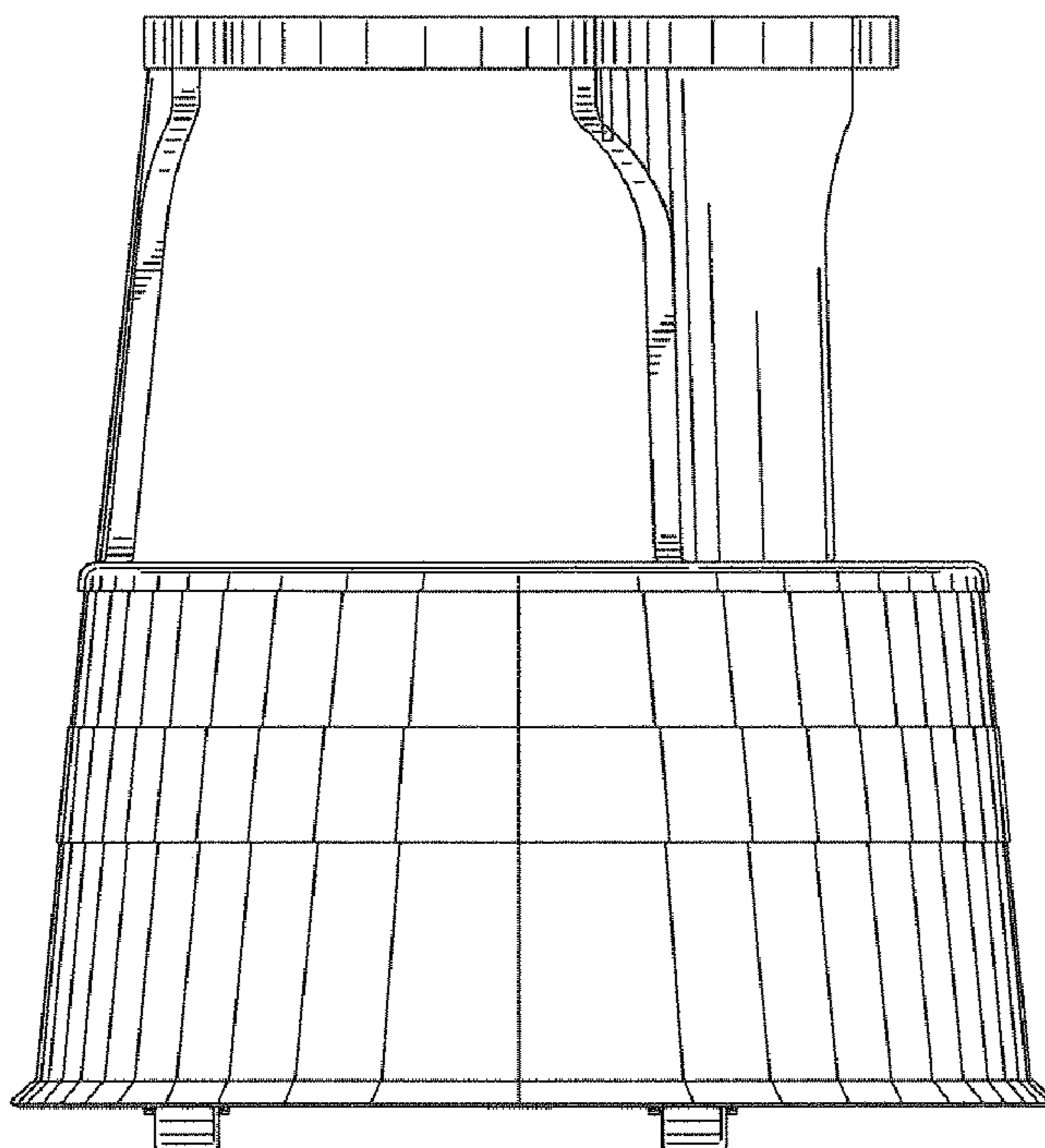


FIG. 5

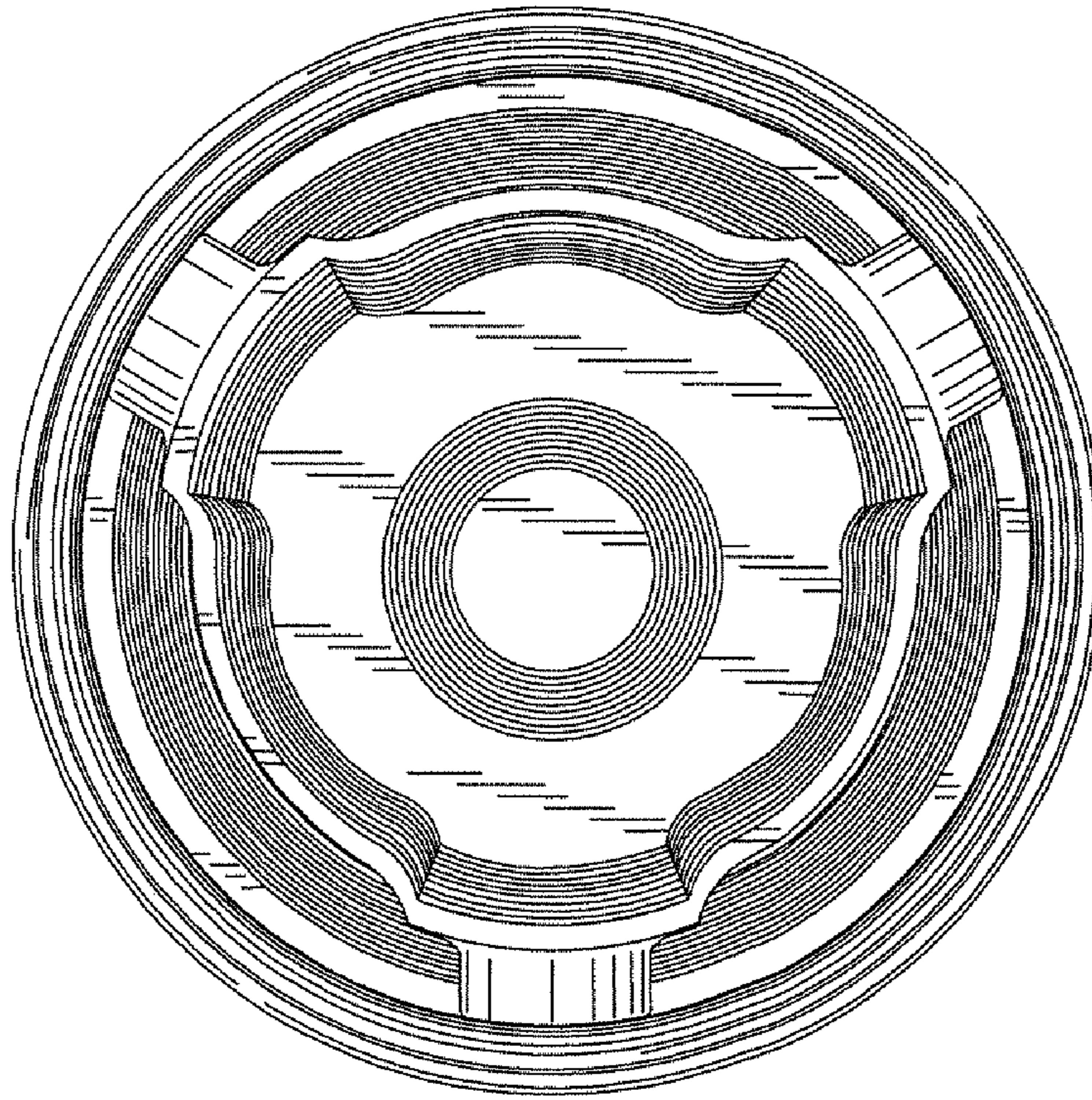


FIG. 6

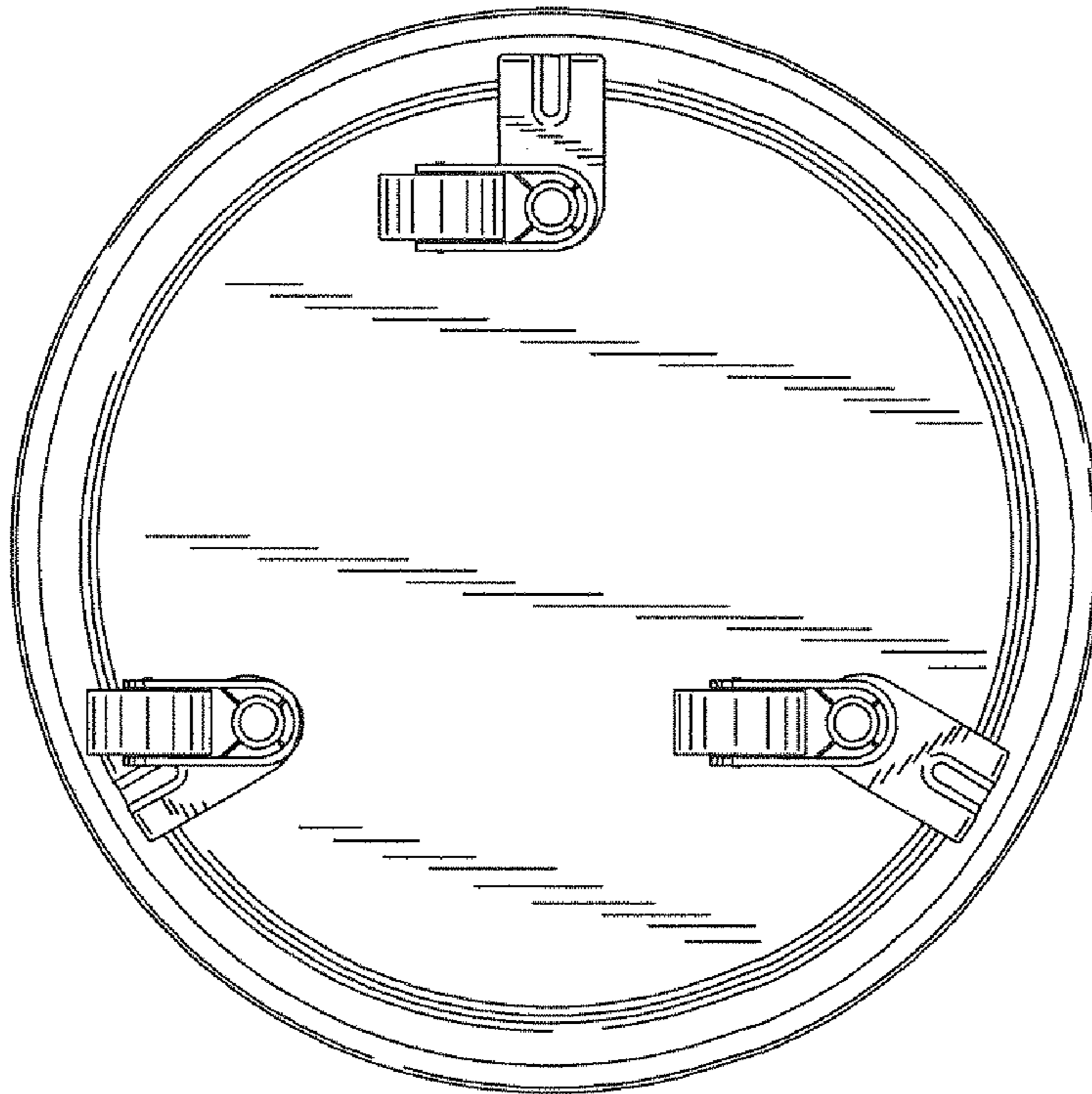


FIG. 7