



US00D650598S

(12) **United States Design Patent**
Kennedy et al.

(10) **Patent No.:** **US D650,598 S**

(45) **Date of Patent:** **** Dec. 20, 2011**

(54) **HIGHCHAIR**

(75) Inventors: **Brook Kennedy**, Glen Ridge, NJ (US);
Jonathan Cedar, Brooklyn, NY (US);
Colin Kelly, Brooklyn, NY (US); **Troy Phipps**, Brooklyn, NY (US); **Ryan Vernon**, New York, NY (US); **Nicholas Oxley**, New York, NY (US); **Eric Freitag**, New York, NY (US)

(73) Assignee: **Helen of Troy Limited**, St. Michael (BB)

(**) Term: **14 Years**

(21) Appl. No.: **29/380,684**

(22) Filed: **Dec. 9, 2010**

Related U.S. Application Data

(62) Division of application No. 29/316,309, filed on Sep. 11, 2009, now Pat. No. Des. 641,180.

(51) **LOC (9) Cl.** **06-01**

(52) **U.S. Cl.** **D6/339**

(58) **Field of Classification Search** D6/339,
D6/333-335, 338, 491, 500-502; D12/129;
D21/412, 419; 280/30-31; 5/94, 98.1, 99.1,
5/101, 105, 655; 297/183.1-183.4, 184.13,
297/250.1, 255, 256.15, 256.16, 174 R, 174 CS,
297/170-173

See application file for complete search history.

(56) **References Cited**

U.S. PATENT DOCUMENTS

D355,775 S *	2/1995	Burstein	D6/339
D428,715 S *	8/2000	Brevi	D6/339
D590,159 S *	4/2009	Lin	D6/339
D603,175 S *	11/2009	Jacobs et al.	D6/339
D614,873 S *	5/2010	Ebina	D6/339

* cited by examiner

Primary Examiner — Caron D Veynar

Assistant Examiner — Abraham Bahta

(57) **CLAIM**

The ornamental design for a highchair, as shown and described.

DESCRIPTION

FIG. 1 is a perspective view of the highchair showing the new design with the seat in a first position;

FIG. 2 is a front elevational view of the highchair shown in FIG. 1;

FIG. 3 is a rear elevational view of the highchair shown in FIG. 1;

FIG. 4 is a side elevational view of the other side of the highchair shown in FIG. 1;

FIG. 5 is a side elevational view of one side of the highchair shown in FIG. 1;

FIG. 6 is a top plan view of the highchair shown in FIG. 1;

FIG. 7 is a bottom plan view of the highchair shown in FIG. 1;

FIG. 8 is a perspective view of the highchair showing the new design with the seat in a second position;

FIG. 9 is a front elevational view of the highchair shown in FIG. 8;

FIG. 10 is a rear elevational view of the highchair shown in FIG. 8;

FIG. 11 is a side elevational view of the other side of the highchair shown in FIG. 8;

FIG. 12 is a side elevational view of one side of the highchair shown in FIG. 8;

FIG. 13 is a top plan view of the highchair shown in FIG. 8;

FIG. 14 is a bottom plan view of the highchair shown in FIG. 8;

FIG. 15 is a perspective view of the highchair showing the new design with the seat in a third position;

FIG. 16 is a front elevational view of the highchair shown in FIG. 15;

FIG. 17 is a rear elevational view of the highchair shown in FIG. 15;

FIG. 18 is a side elevational view of the other side of the highchair shown in FIG. 15;

FIG. 19 is a side elevational view of one side of the highchair shown in FIG. 15;

FIG. 20 is a top plan view of the highchair shown in FIG. 15;

and,
FIG. 21 is a bottom plan view of the highchair shown in FIG. 15.

1 Claim, 21 Drawing Sheets

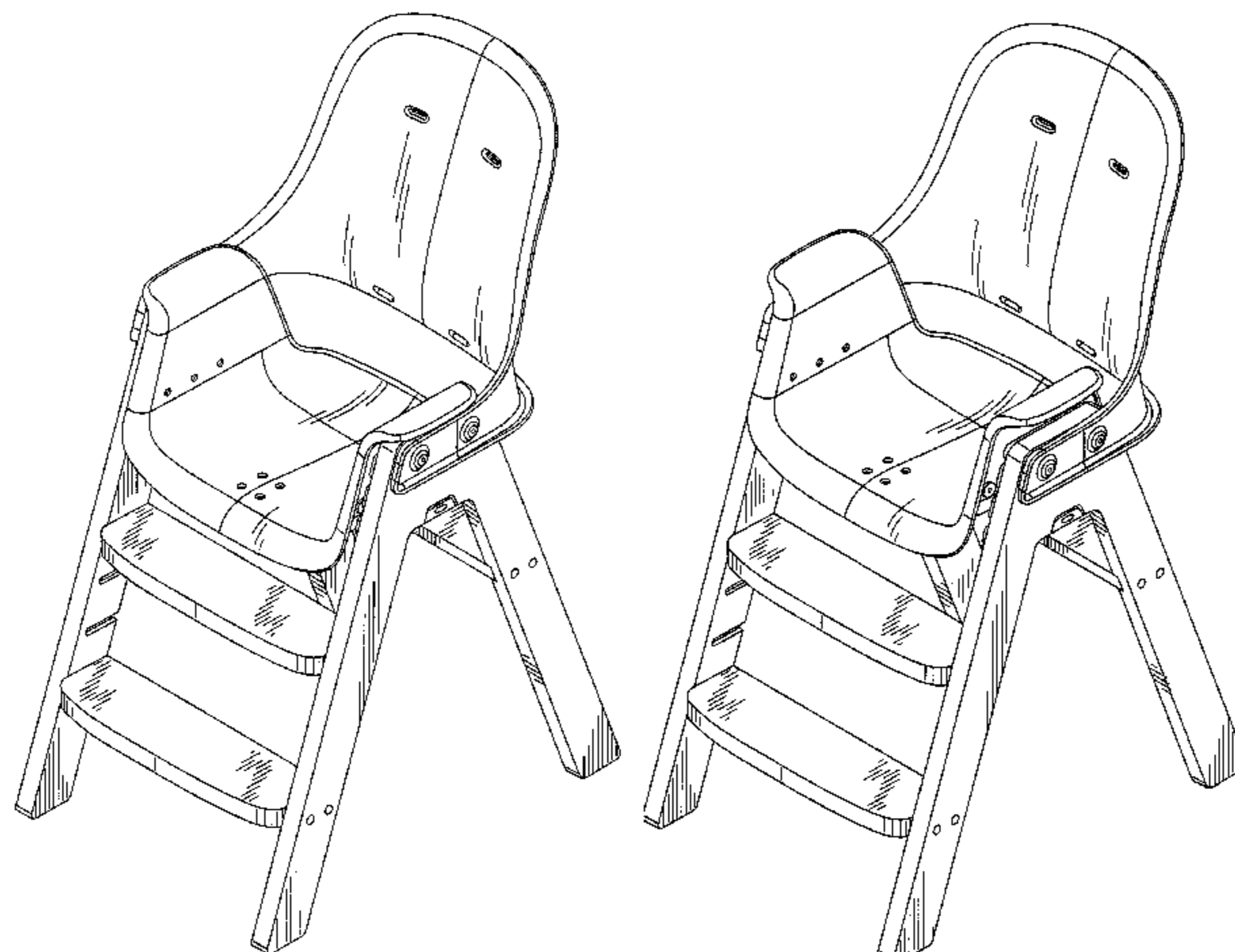


Fig. 1

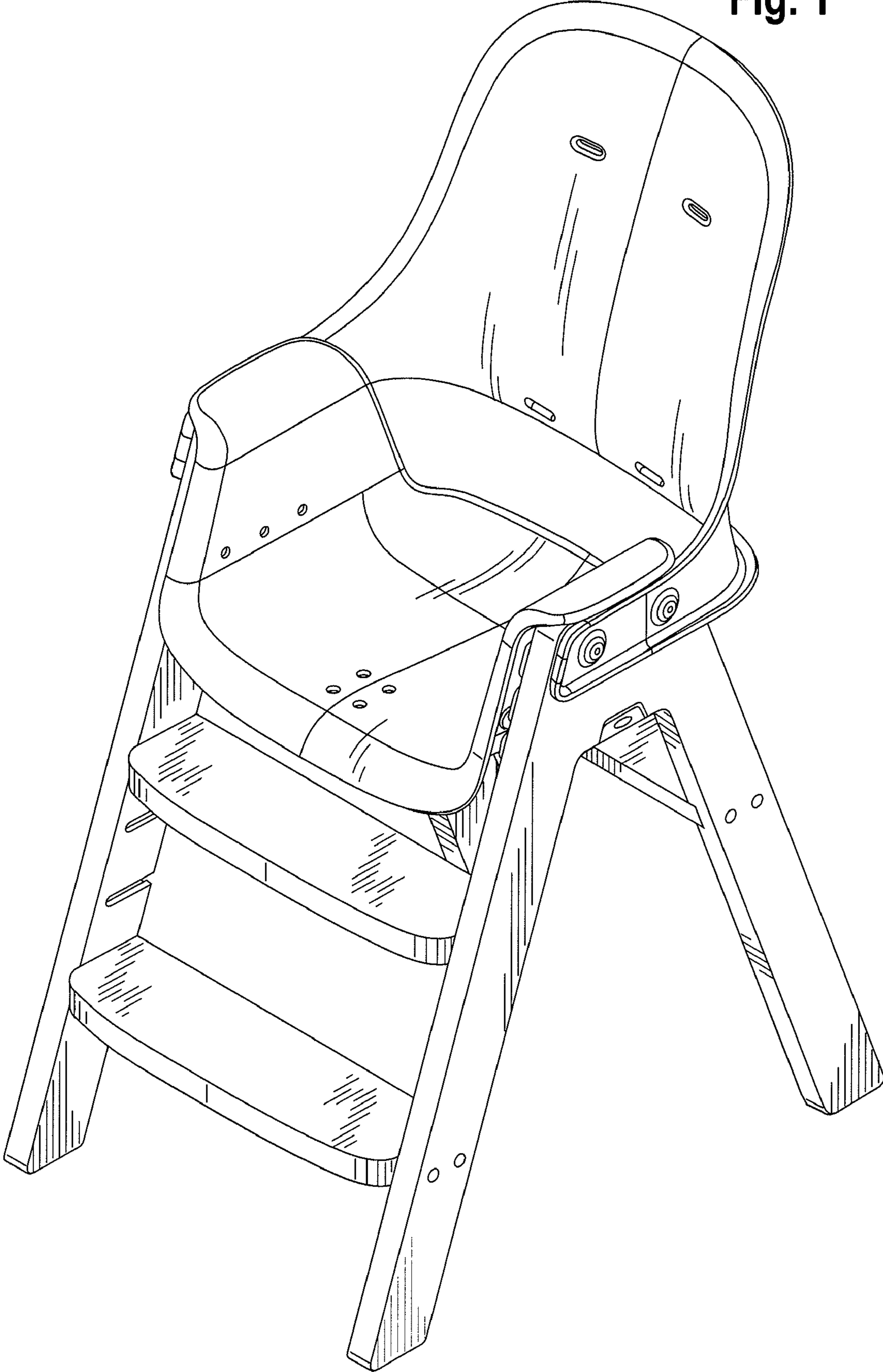


Fig. 2

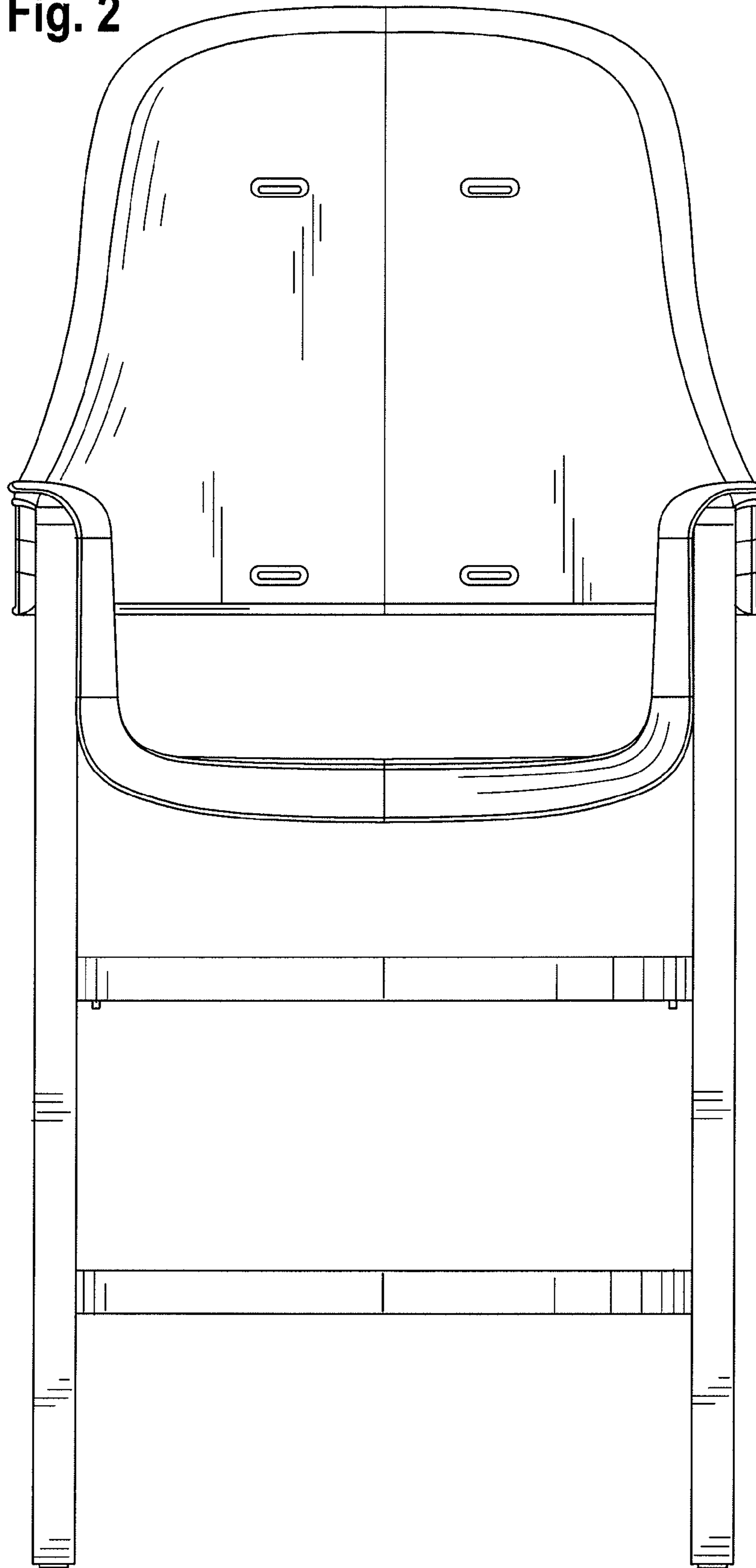


Fig. 3

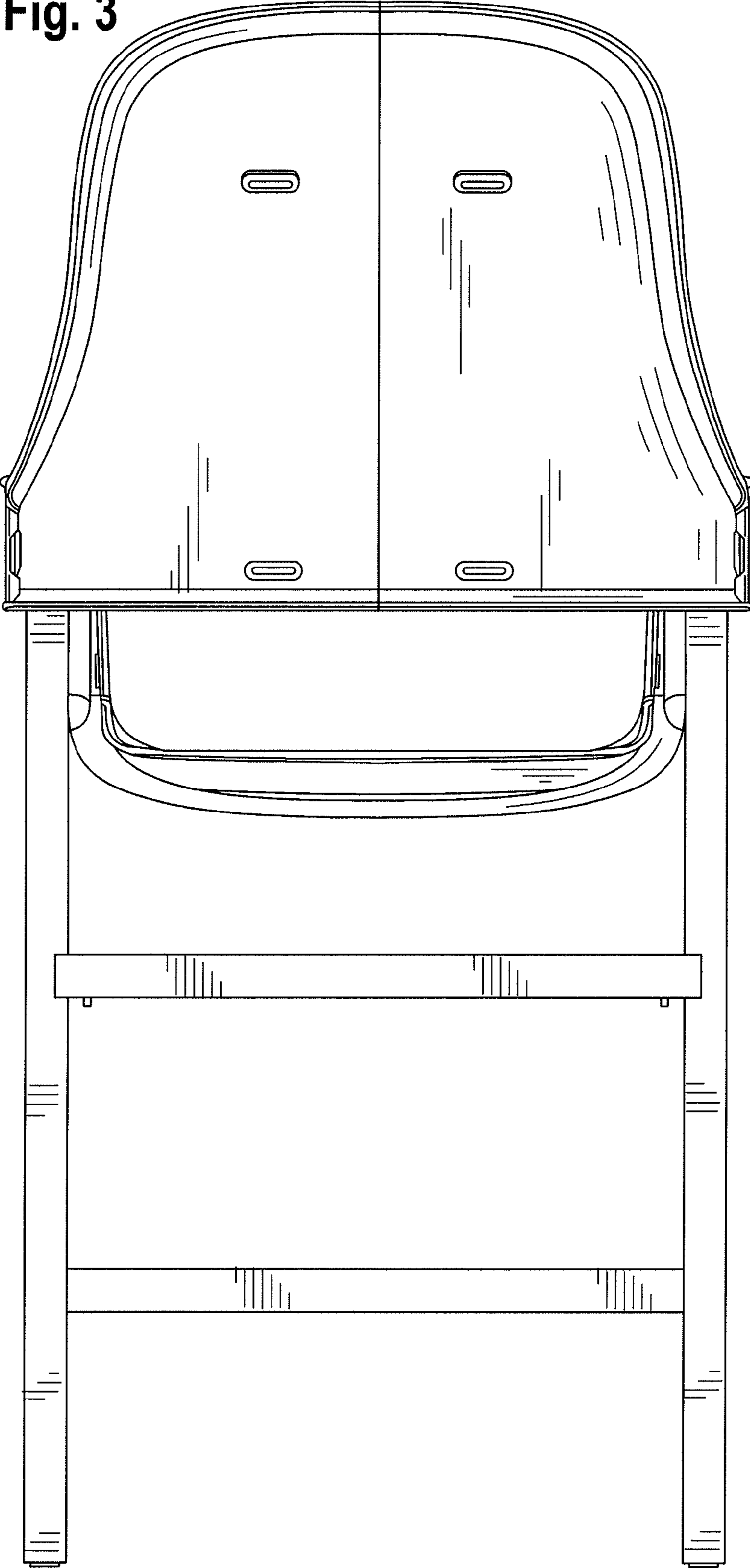


Fig. 4

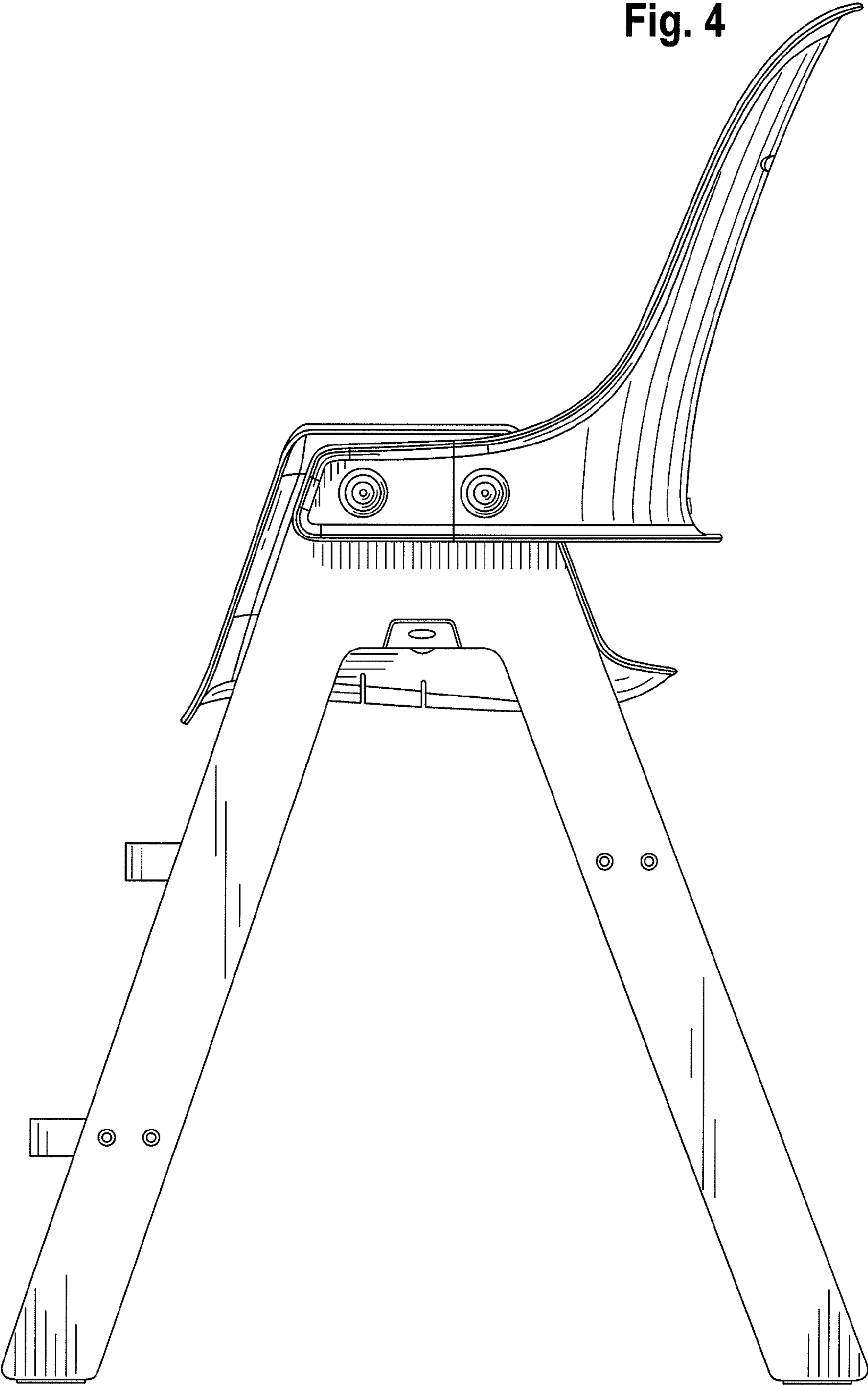


Fig. 5

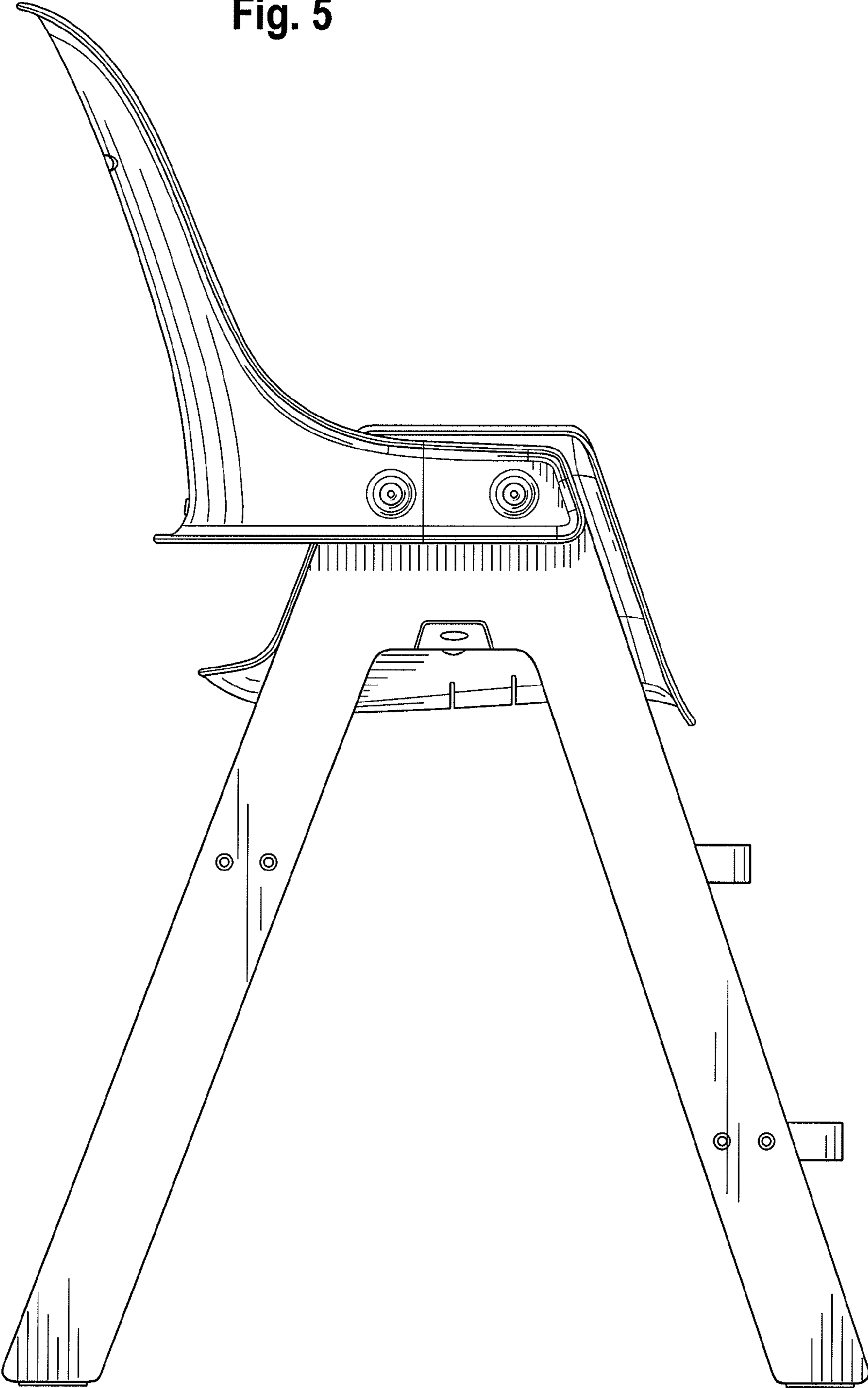


Fig. 6

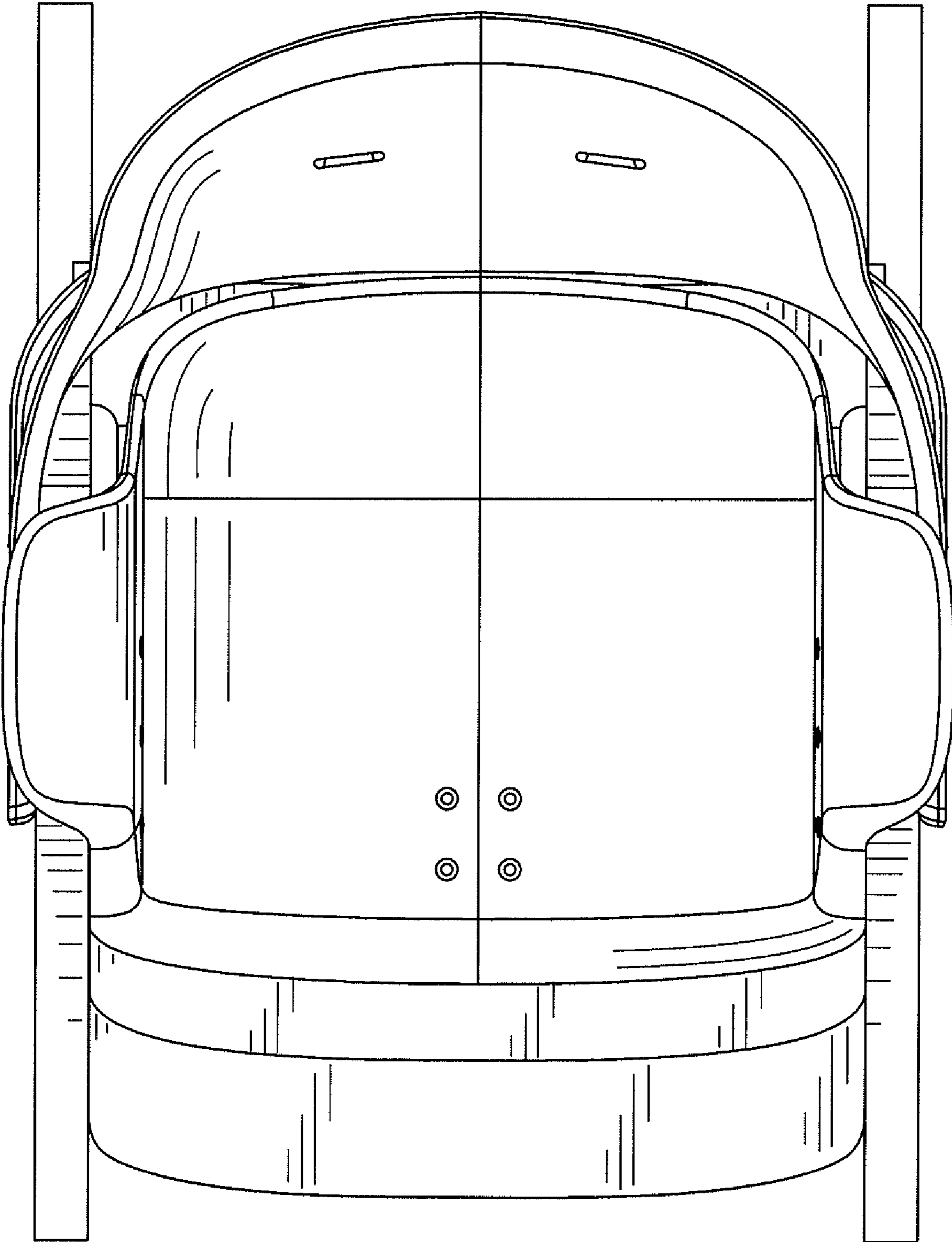


Fig. 7

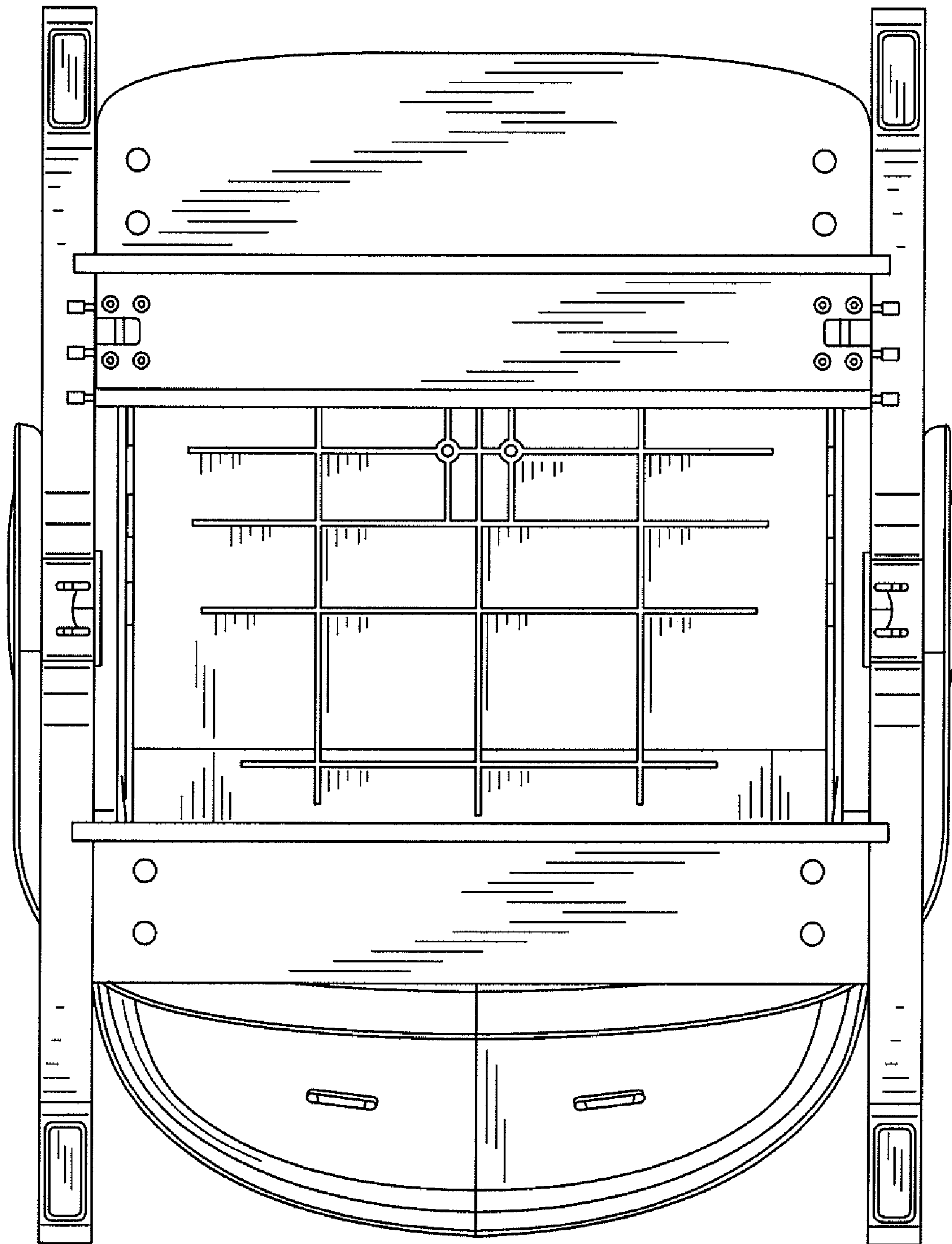


Fig. 8

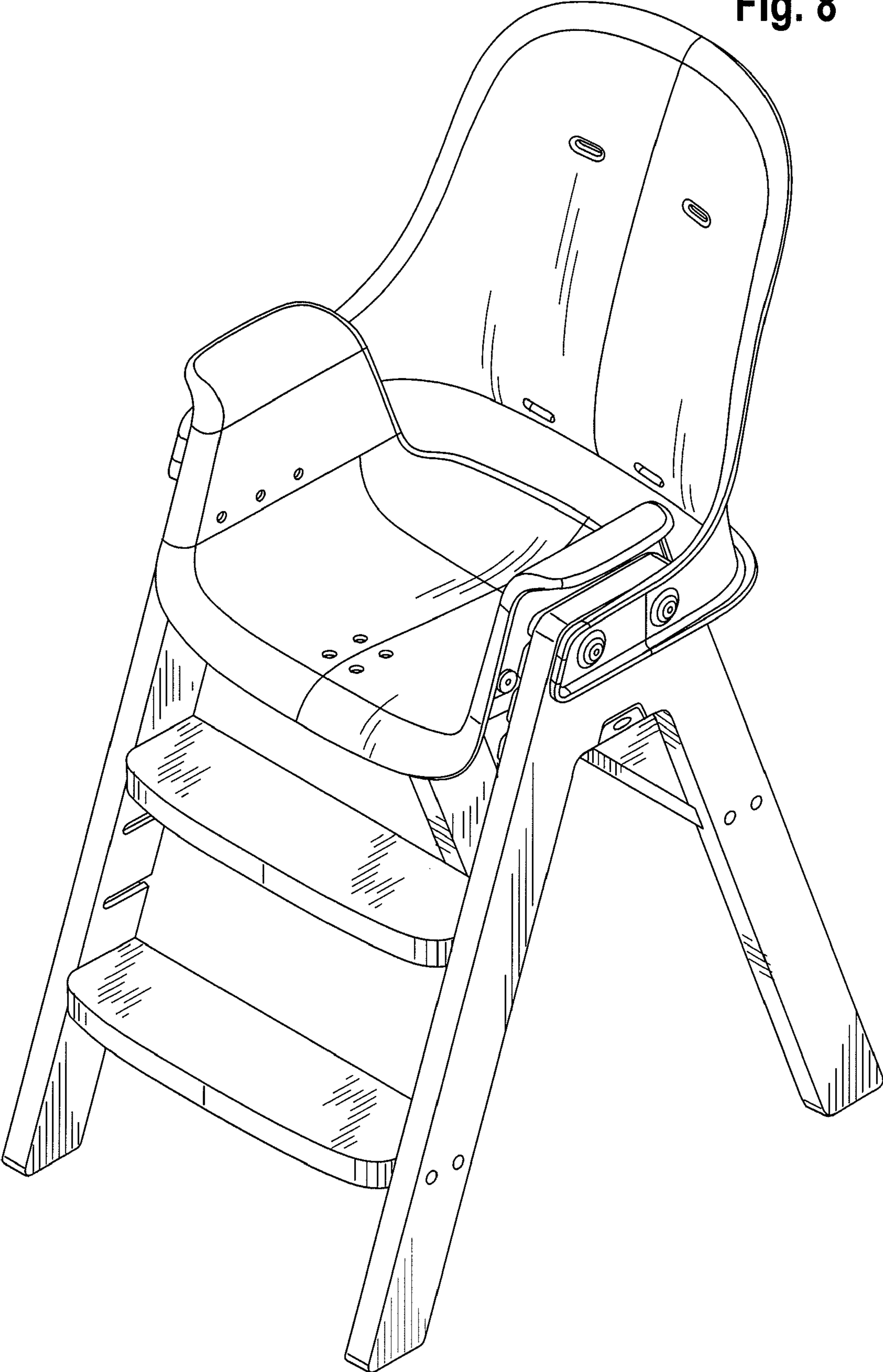


Fig. 9

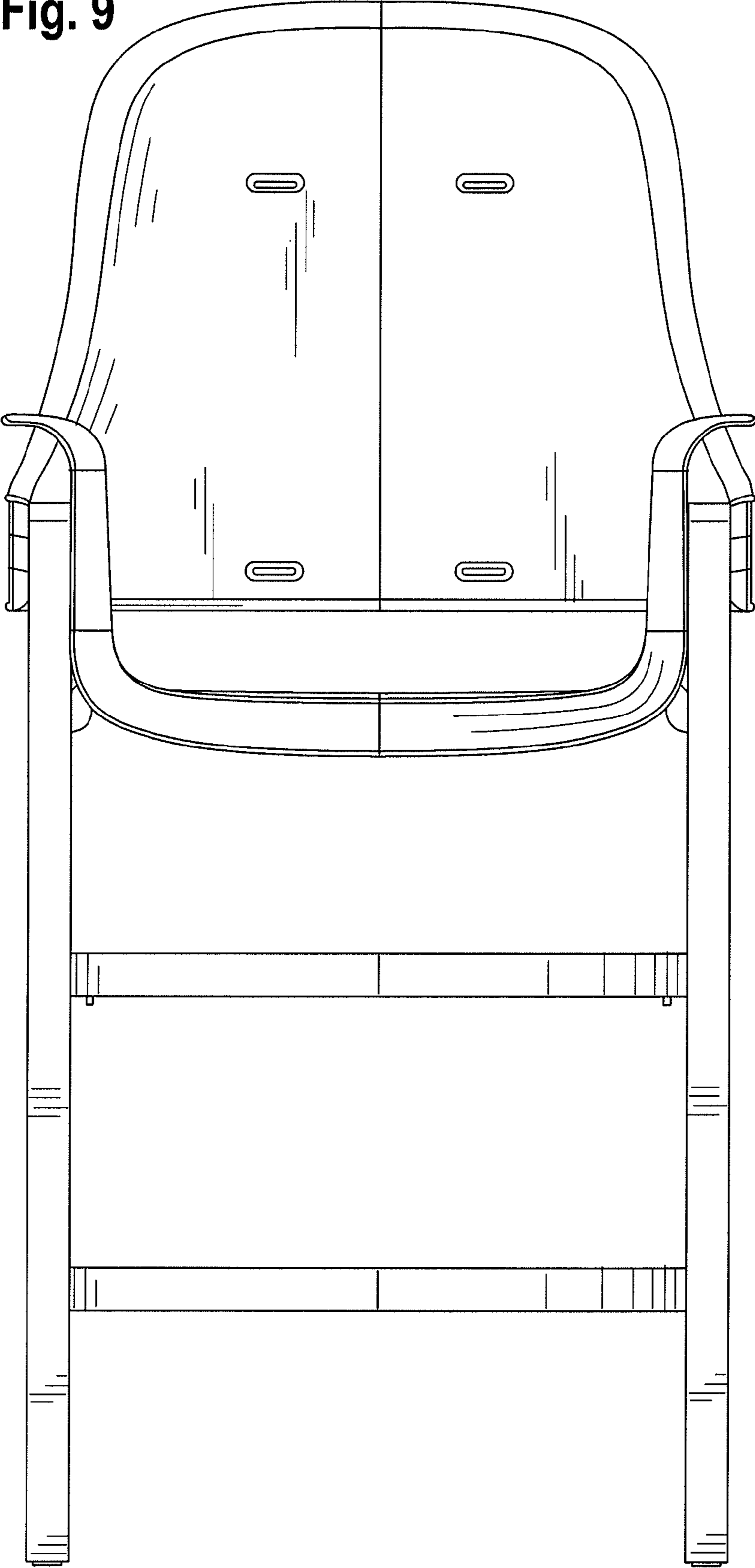


Fig. 10

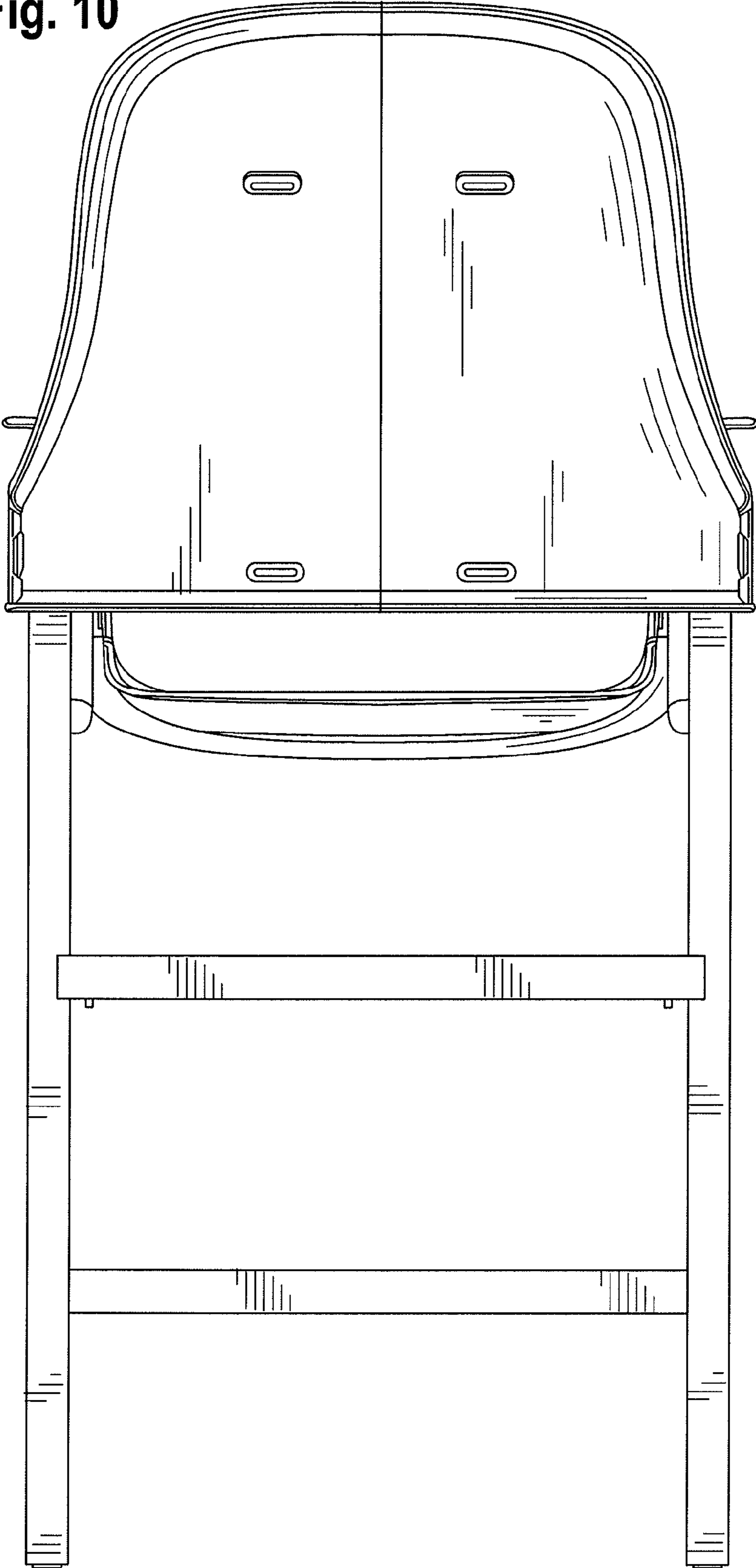


Fig. 11

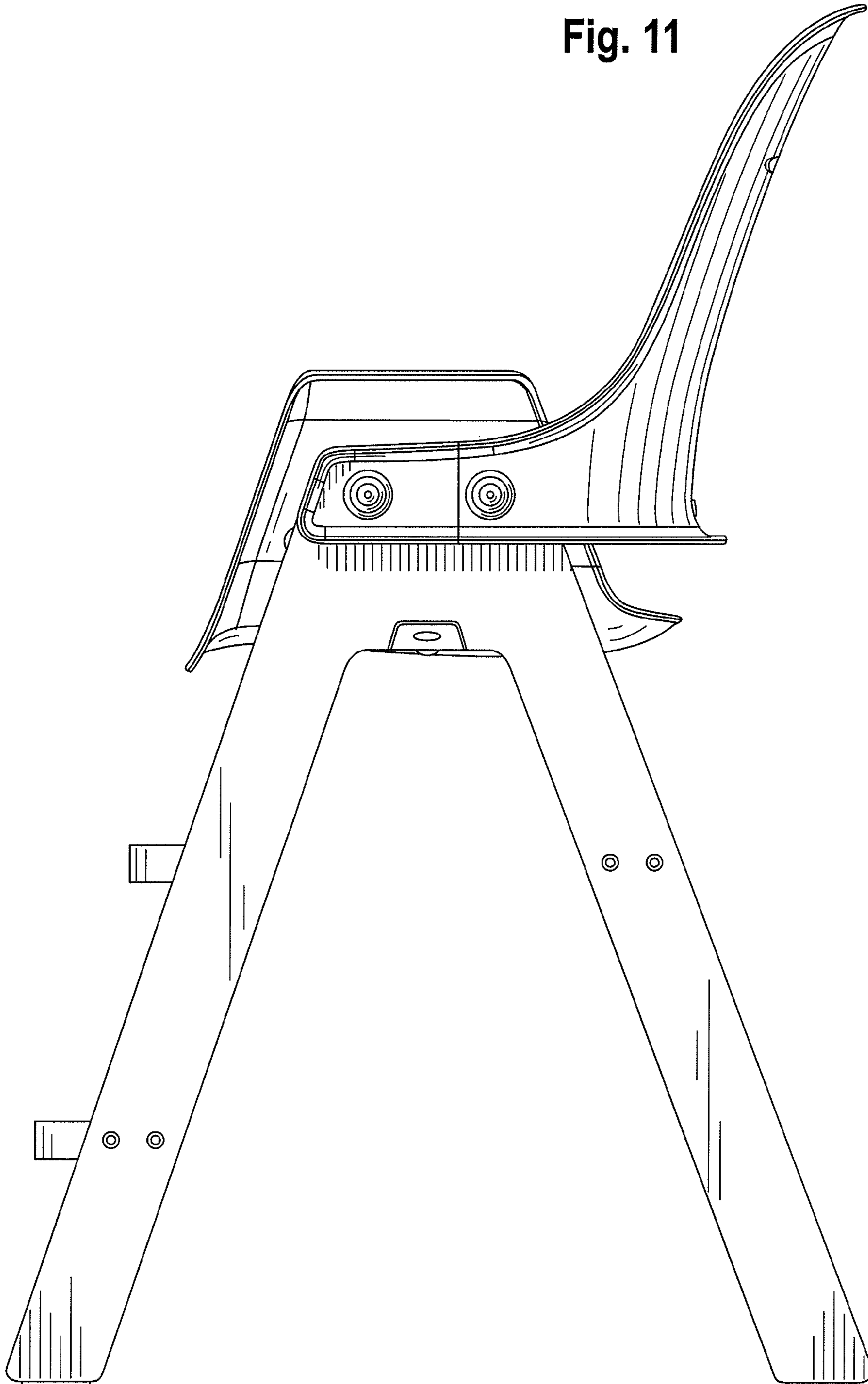


Fig. 12

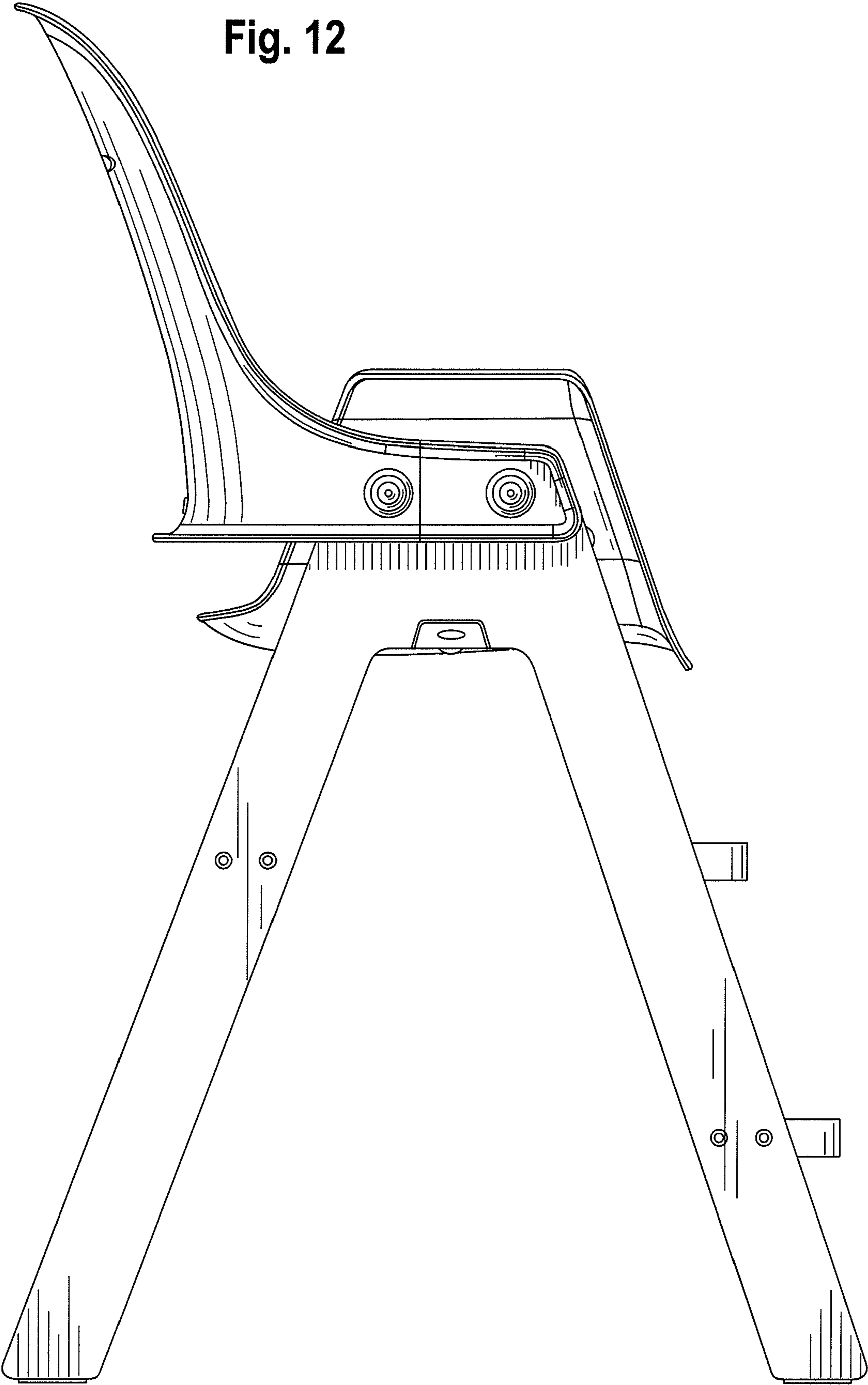


Fig. 13

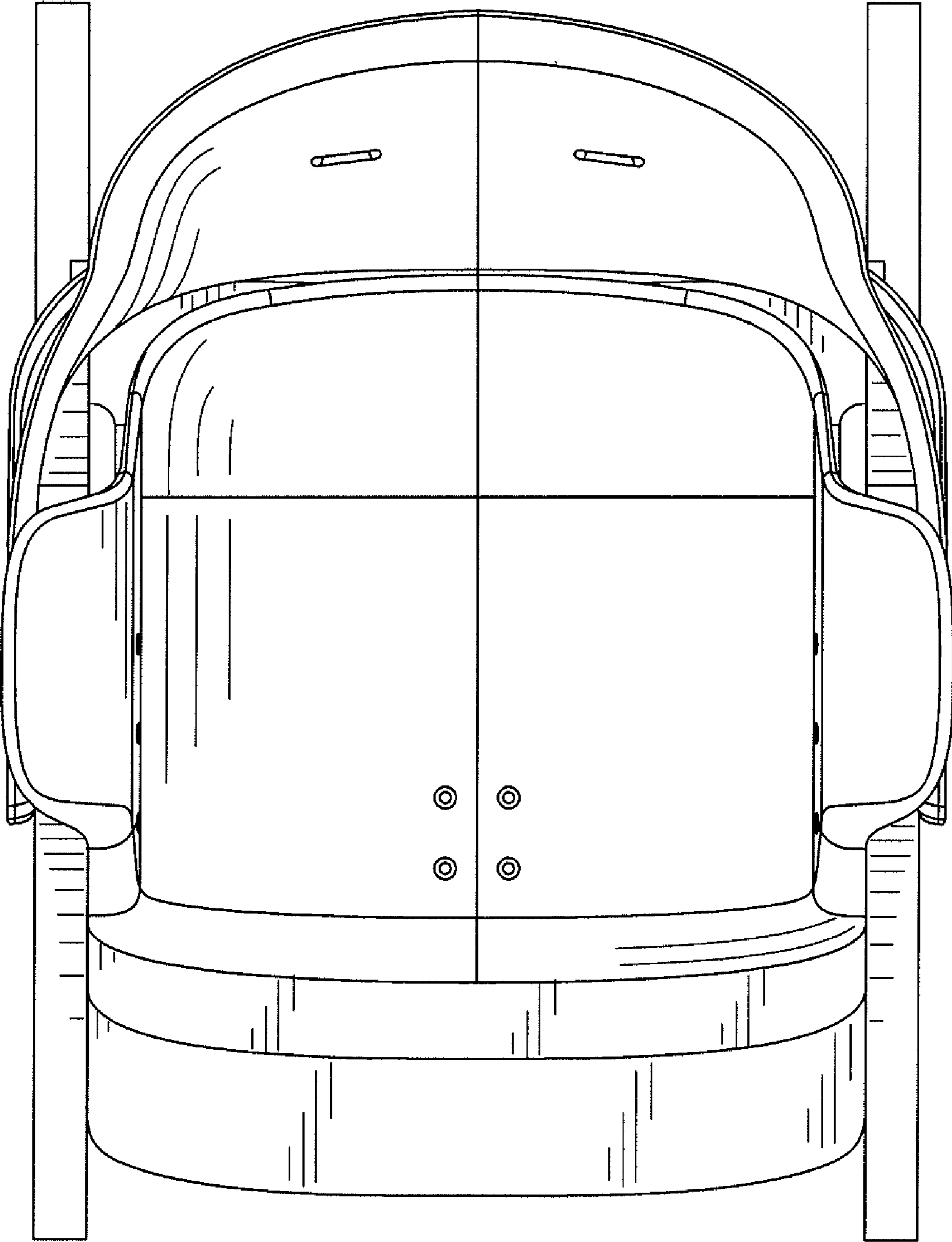


Fig. 14

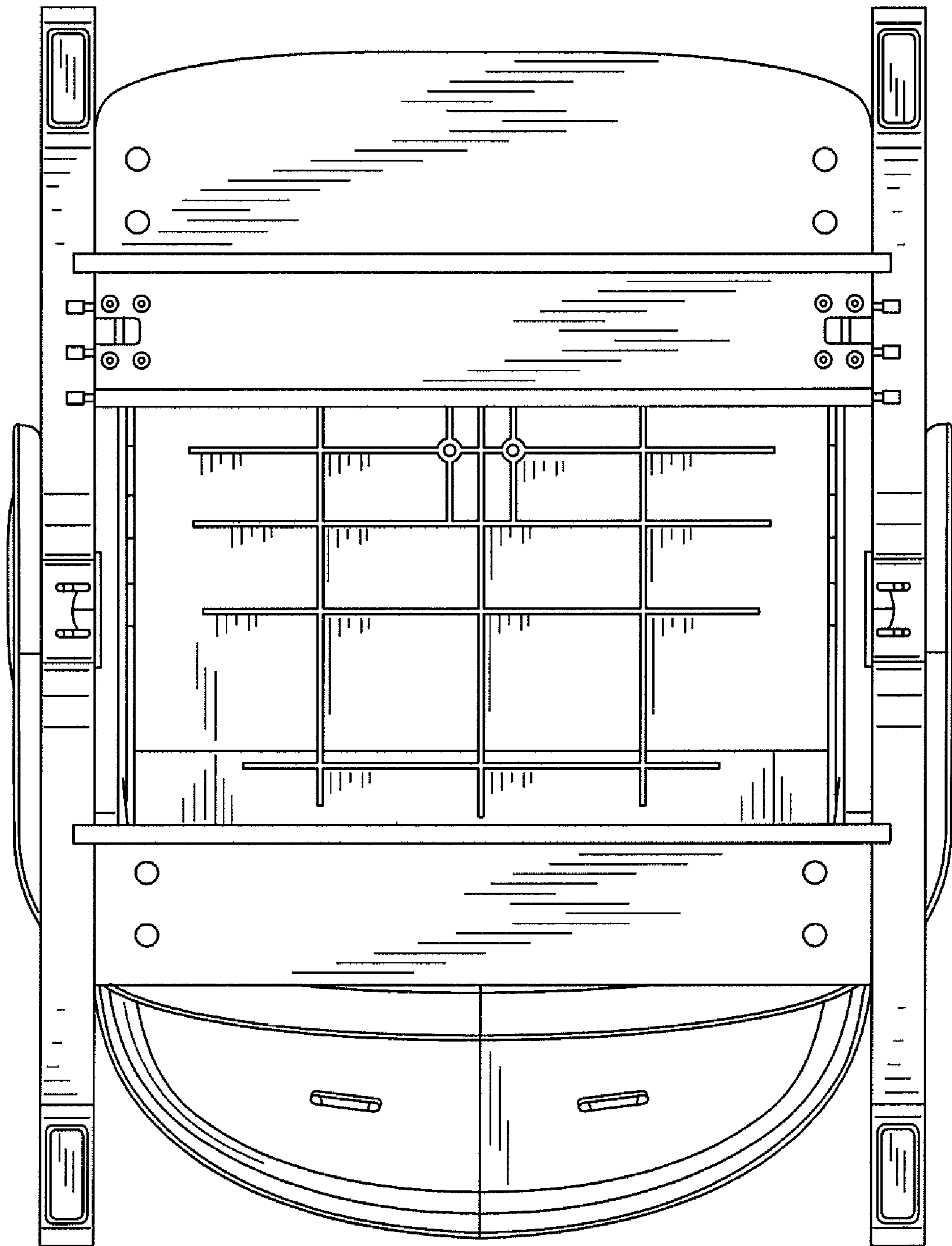


Fig. 15

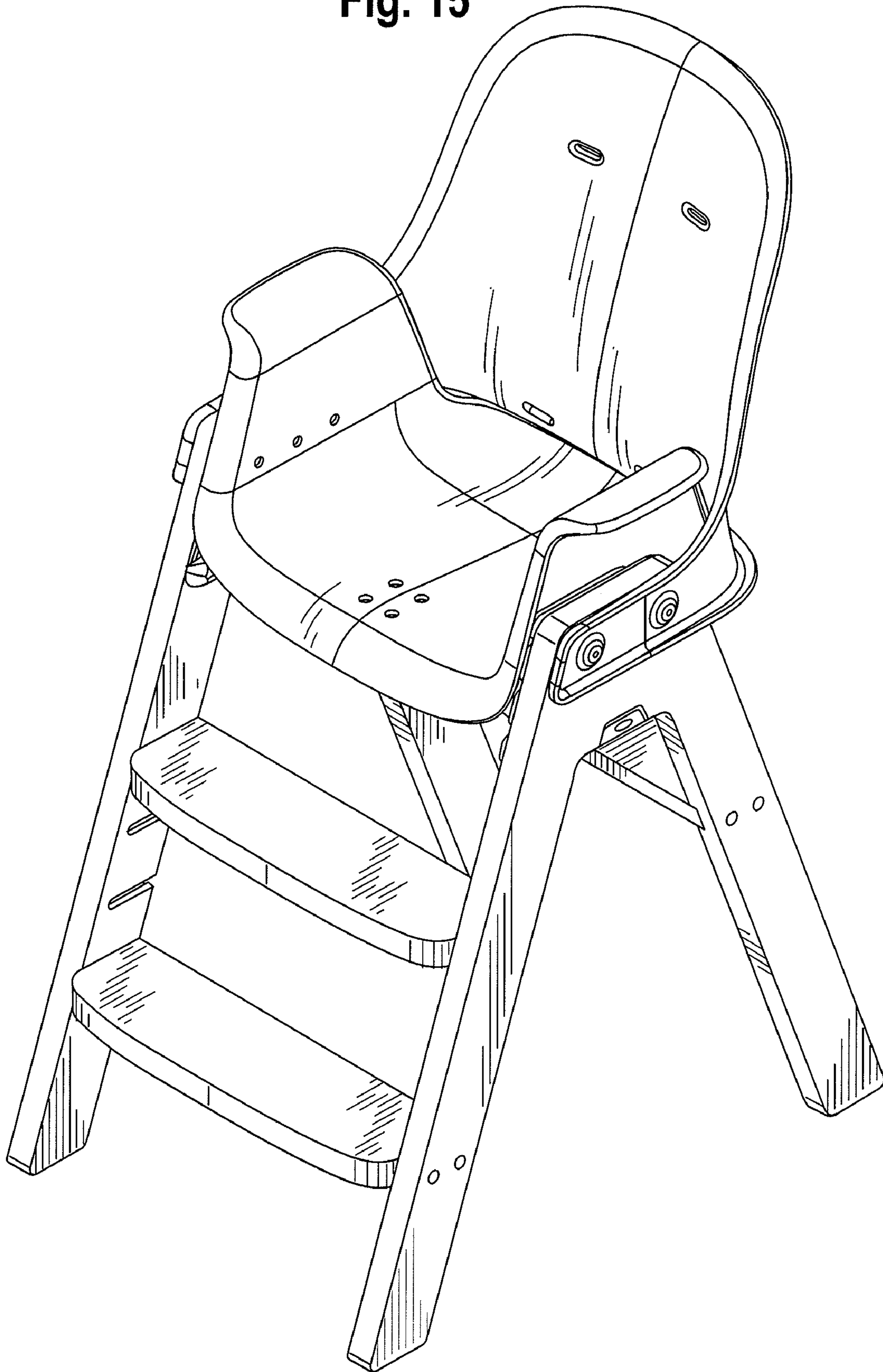


Fig. 16

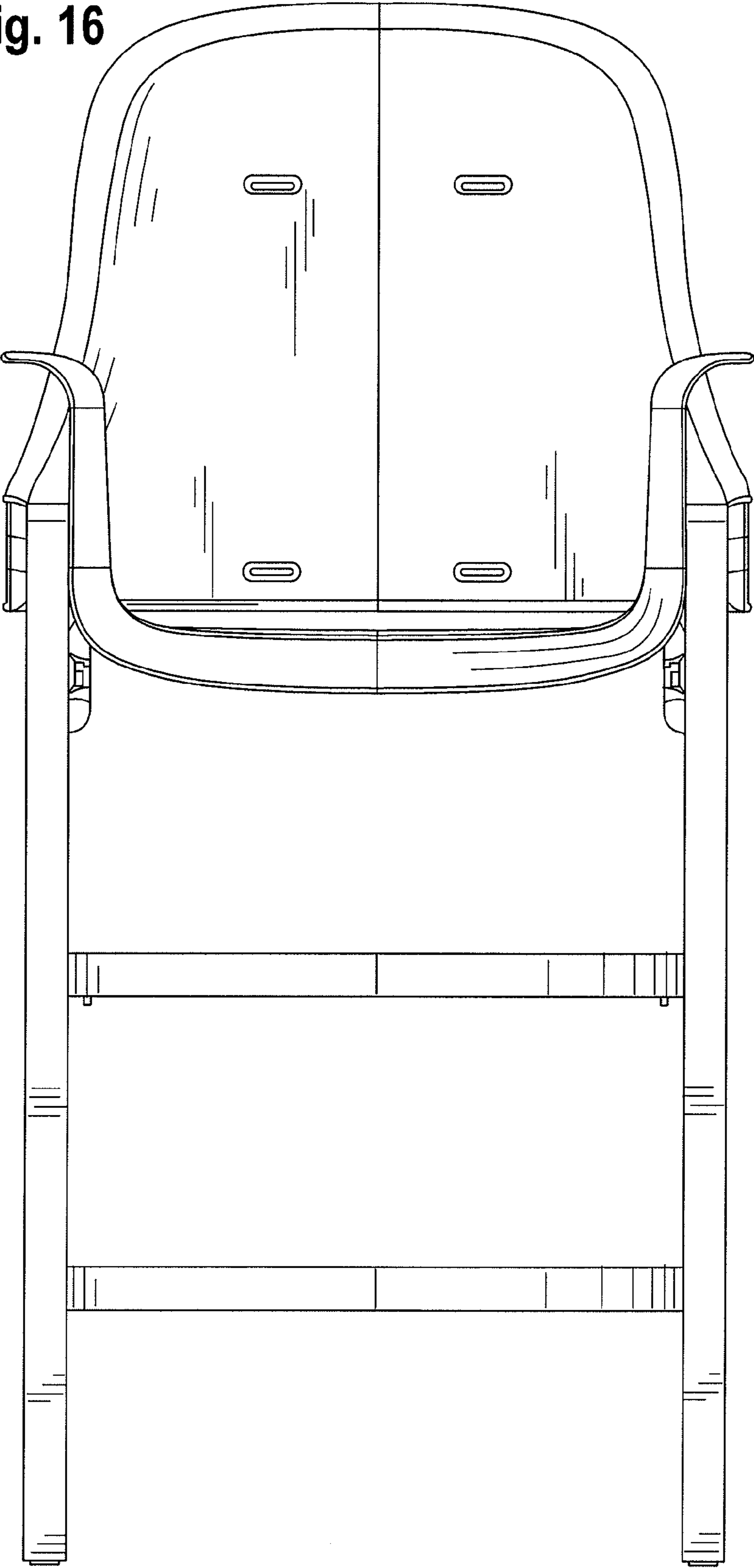


Fig. 17

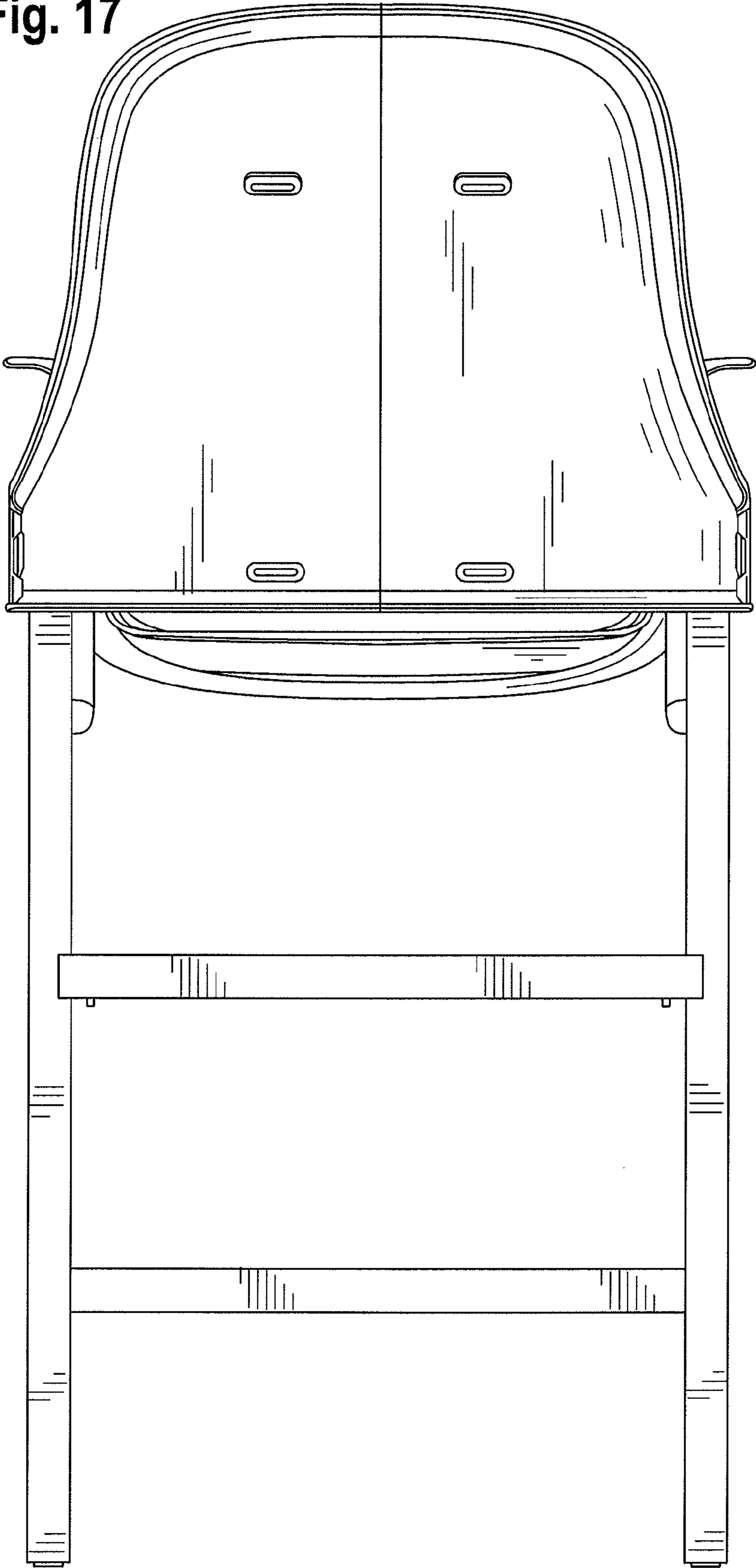


Fig. 18

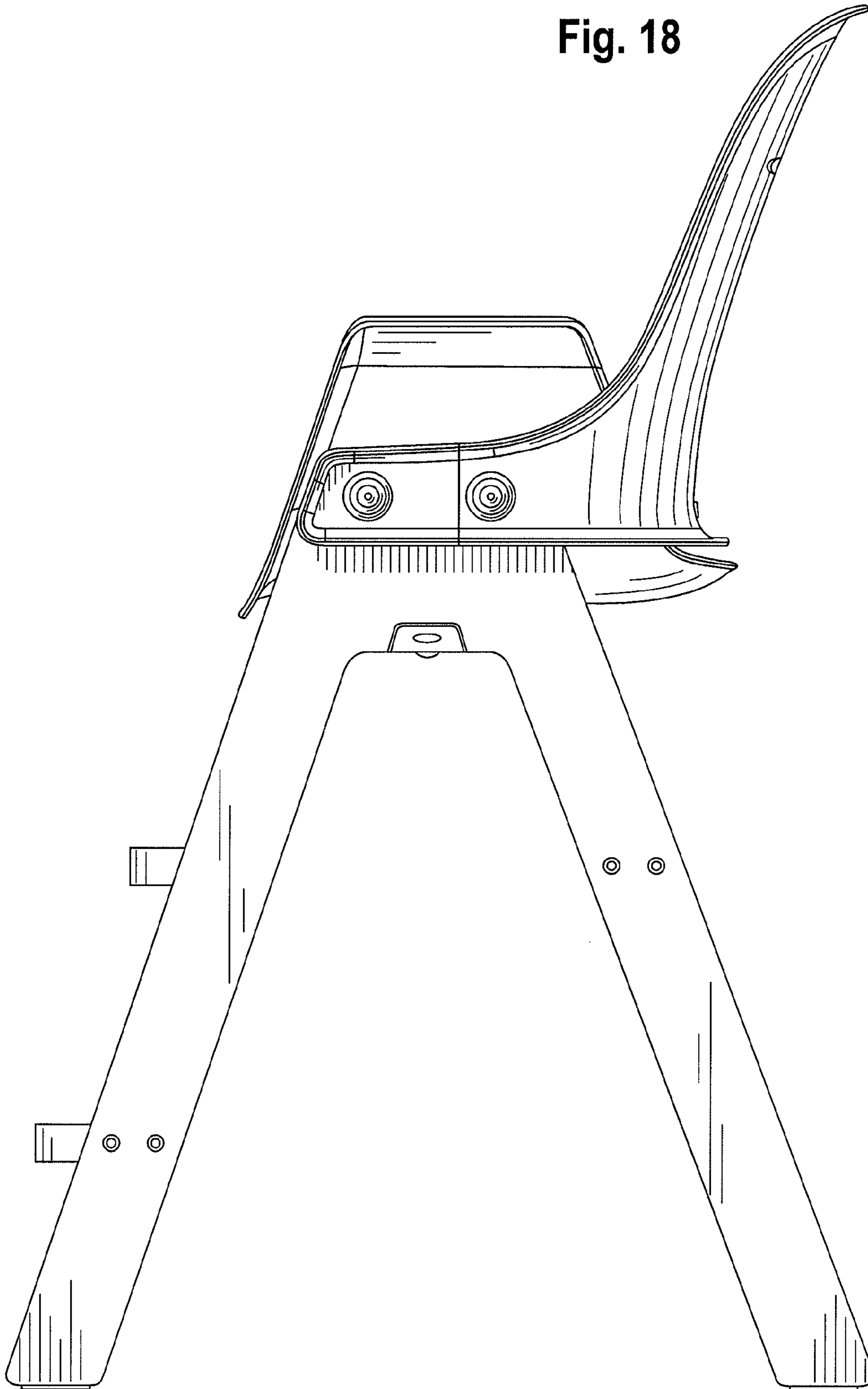


Fig. 19

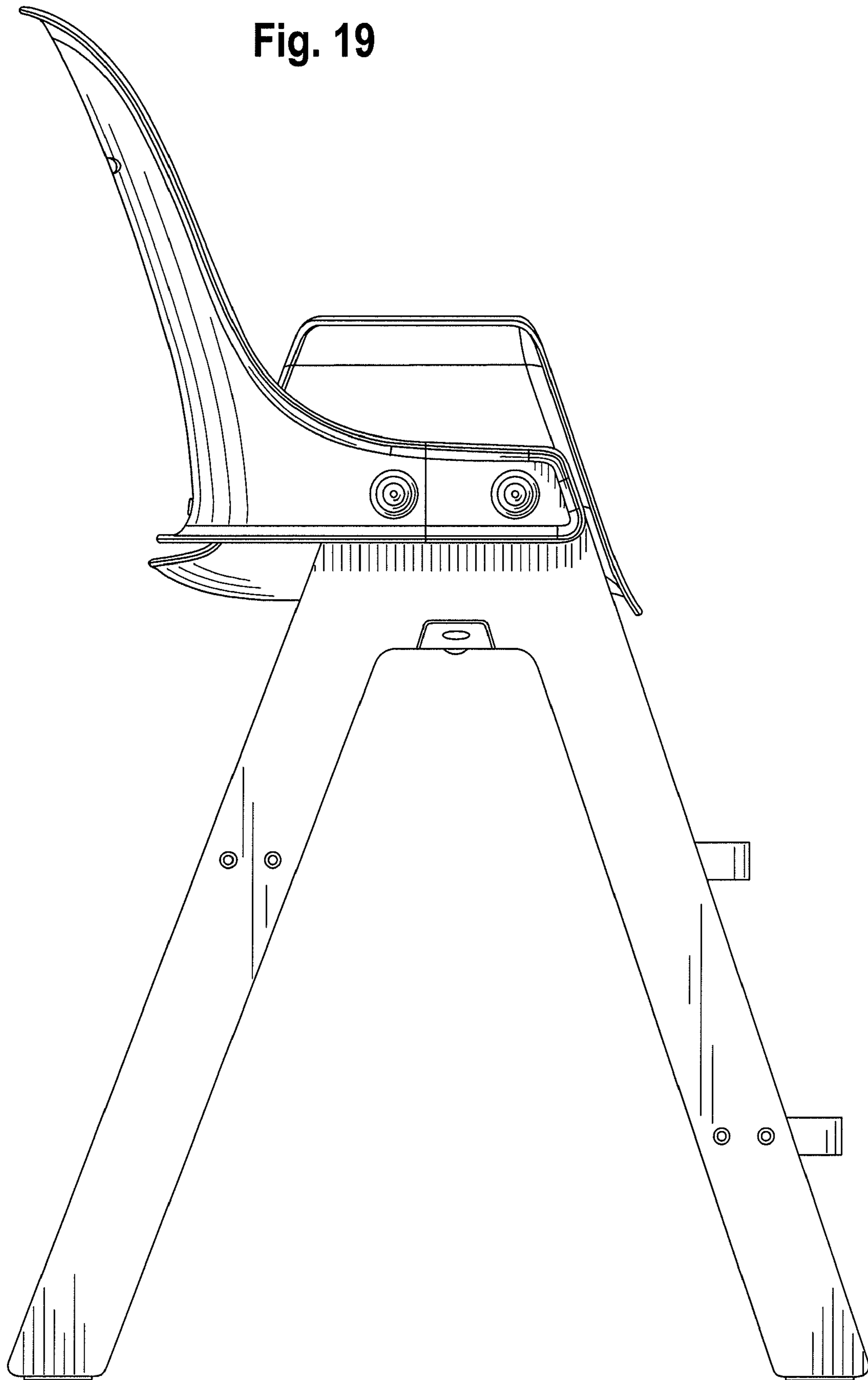


Fig. 20

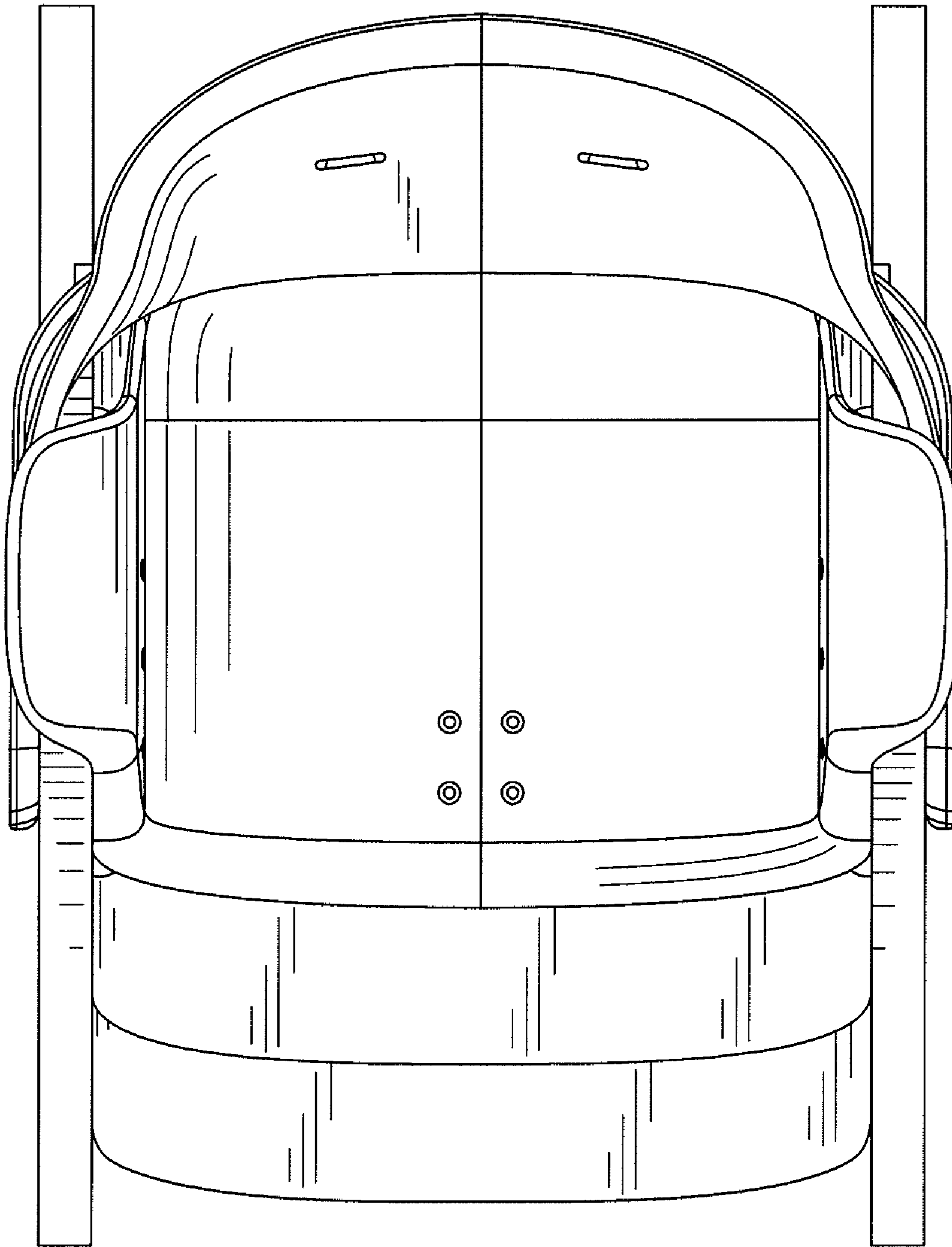


Fig. 21

