



US00D650597S

(12) **United States Design Patent**
Lehman

(10) **Patent No.:** **US D650,597 S**

(45) **Date of Patent:** **** Dec. 20, 2011**

(54) **BASE FOR A SAFETY CAR SEAT**

(75) Inventor: **Andrew Lehman**, Lancaster, PA (US)

(73) Assignee: **Lerado (Zhong Shan) Industrial Co., Ltd.**, Zhing Shan (CN)

(**) Term: **14 Years**

(21) Appl. No.: **29/390,716**

(22) Filed: **Apr. 28, 2011**

(30) **Foreign Application Priority Data**

Oct. 29, 2010 (CN) 2010 3 0604063

(51) **LOC (9) Cl.** **06-01**

(52) **U.S. Cl.** **D6/333**

(58) **Field of Classification Search** D6/333-335,
D6/356, 390, 391, 500-502; 297/130, 183.1-183.4,
297/229, 250.1, 256.15-256.17; 5/94, 93.1,
5/98.2, 101, 103-105; D21/419; D12/129-130;
280/30-31; D3/213

See application file for complete search history.

(56) **References Cited**

U.S. PATENT DOCUMENTS

D321,449 S * 11/1991 Meeker D6/496
D373,028 S * 8/1996 Kain D6/333
D376,919 S * 12/1996 Sedlack D6/333

D417,568 S * 12/1999 Pike D6/500
D424,311 S * 5/2000 Geis et al. D6/333
D438,716 S * 3/2001 Longenecker D6/333

* cited by examiner

Primary Examiner — Caron D Veynar

Assistant Examiner — Abraham Bahta

(74) *Attorney, Agent, or Firm* — Morris Manning & Martin LLP; Tim Tingkang Xia, Esq.

(57) **CLAIM**

The ornamental design for a base for a safety car seat, as shown and described.

DESCRIPTION

FIG. 1 is a front elevational view of a base for a safety car seat showing my new design;

FIG. 2 is a rear elevational view thereof;

FIG. 3 is a left side view thereof;

FIG. 4 is a right side view thereof;

FIG. 5 is a top plan view thereof;

FIG. 6 is a bottom plan view thereof;

FIG. 7 is a front, right perspective view thereof;

FIG. 8 is perspective view for reference, showing the base for a safety car seat is adjusted to a first height position;

FIG. 9 is perspective view for reference, showing the base for a safety car seat is adjusted to a second height position; and,

FIG. 10 is perspective view for reference, showing the base for a safety car seat is adjusted to a third height position.

1 Claim, 5 Drawing Sheets



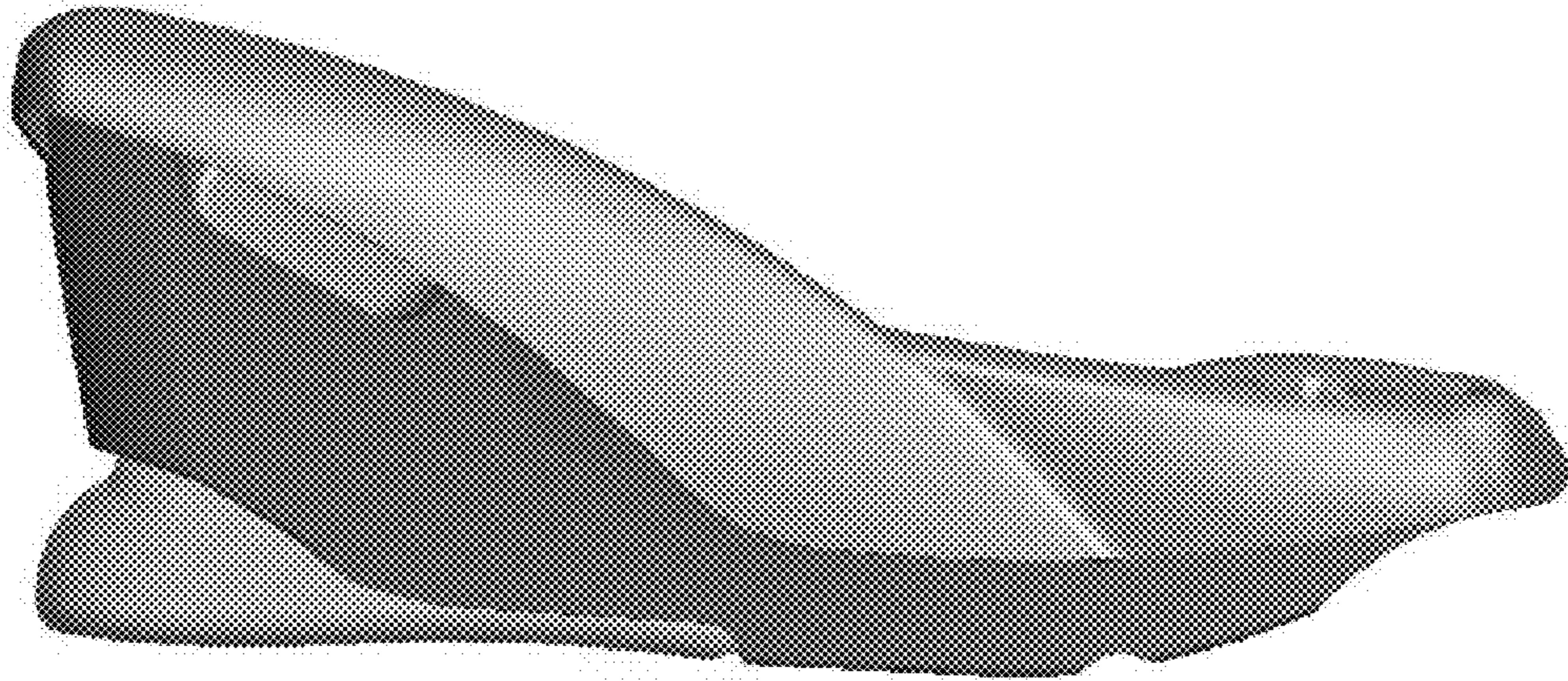


FIG. 1

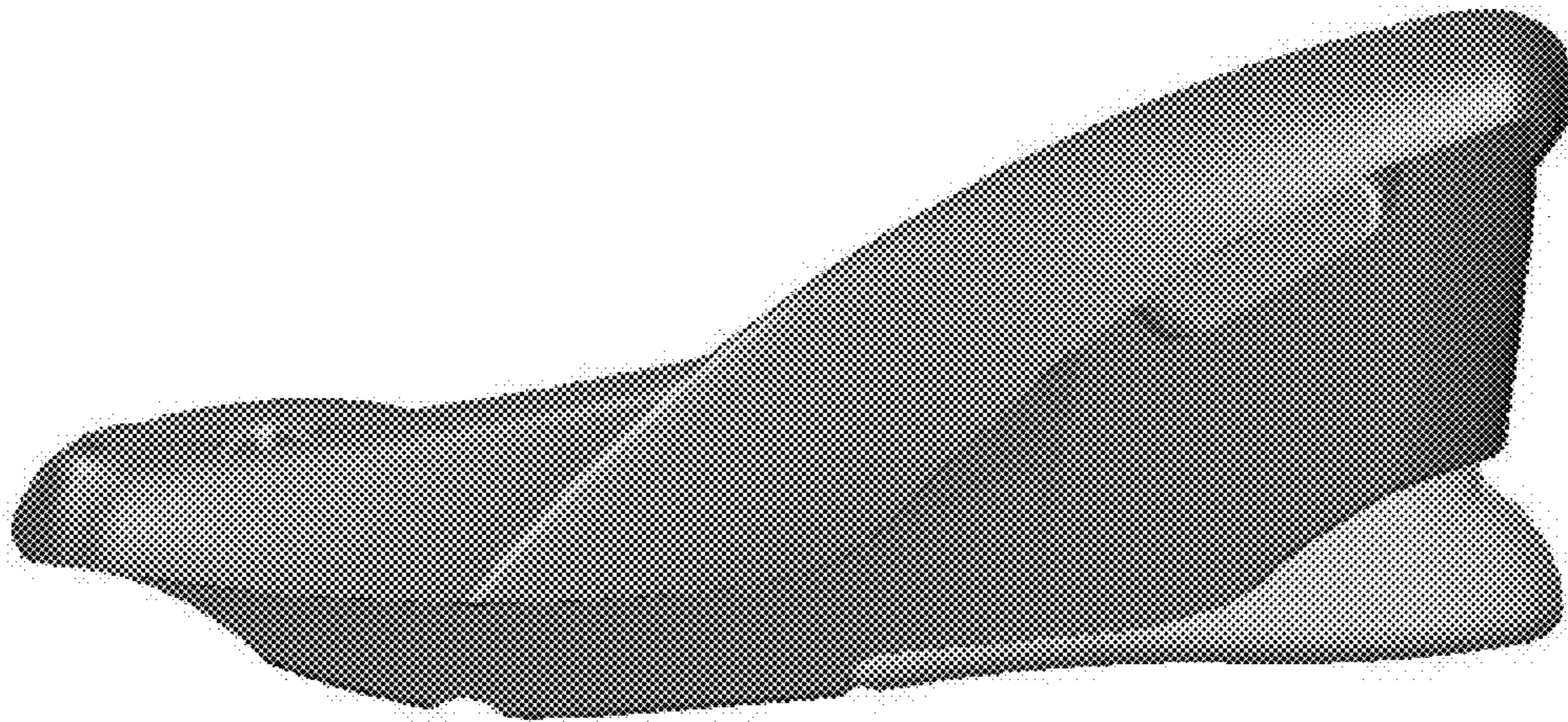


FIG. 2

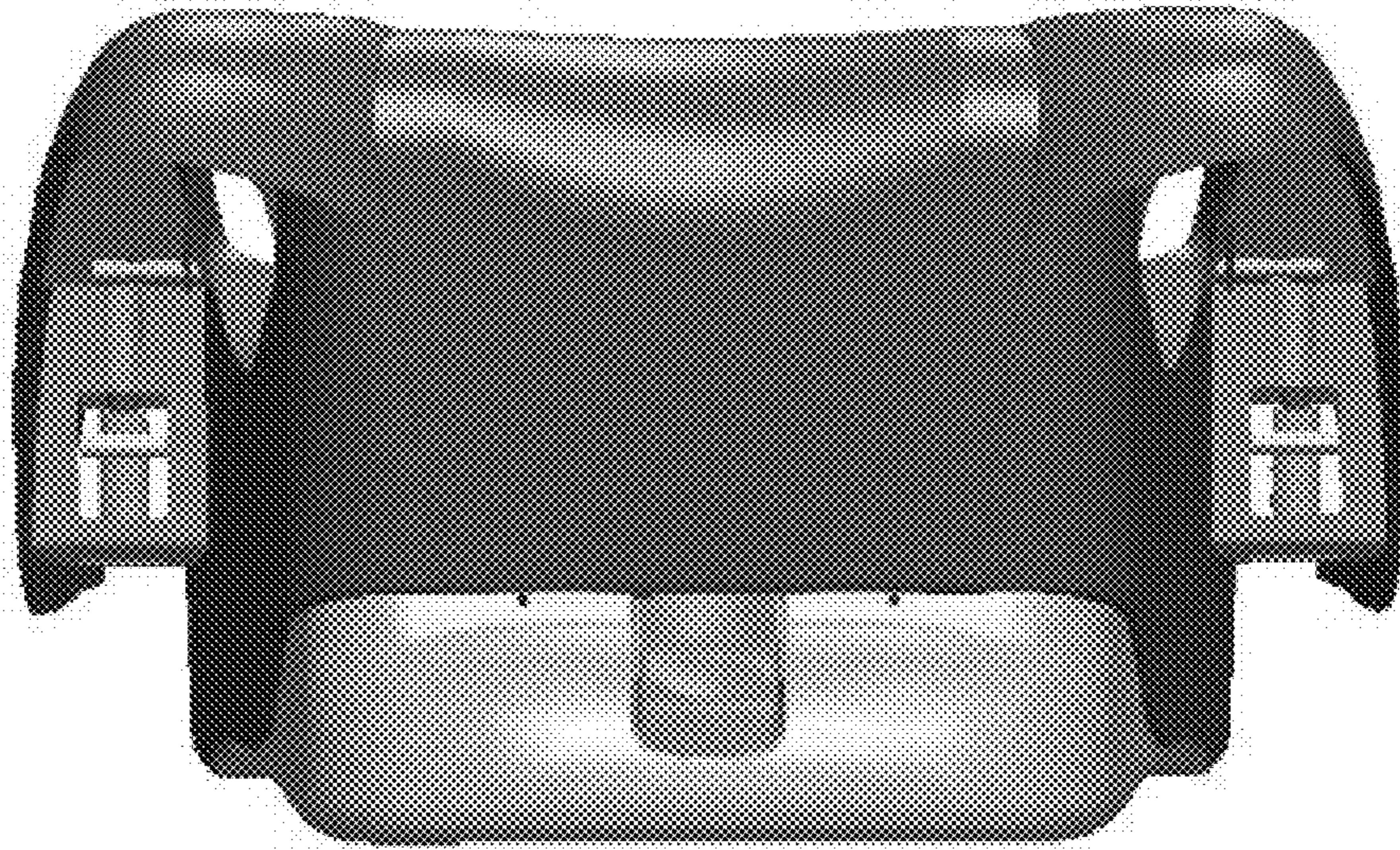


FIG. 3

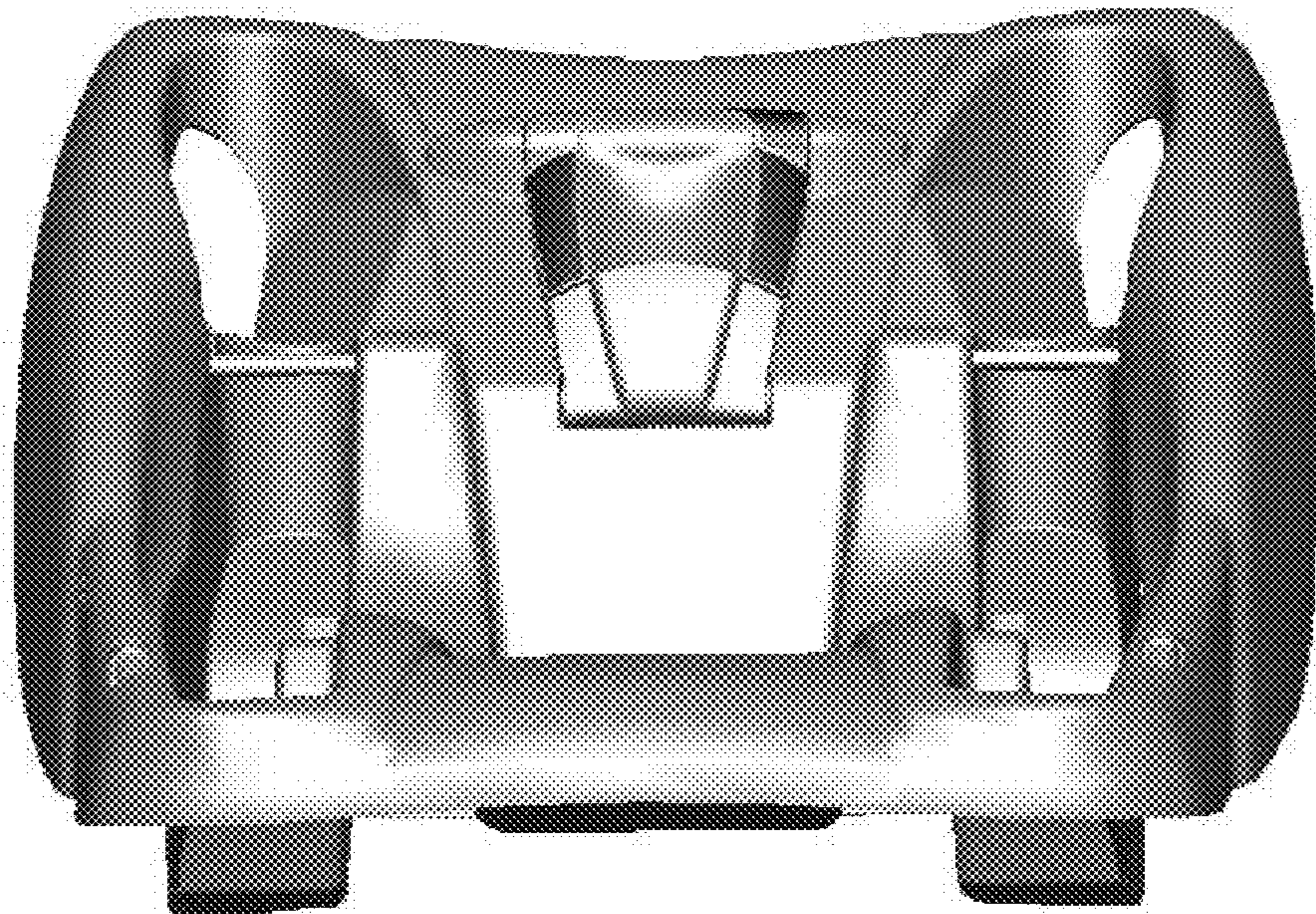


FIG. 4

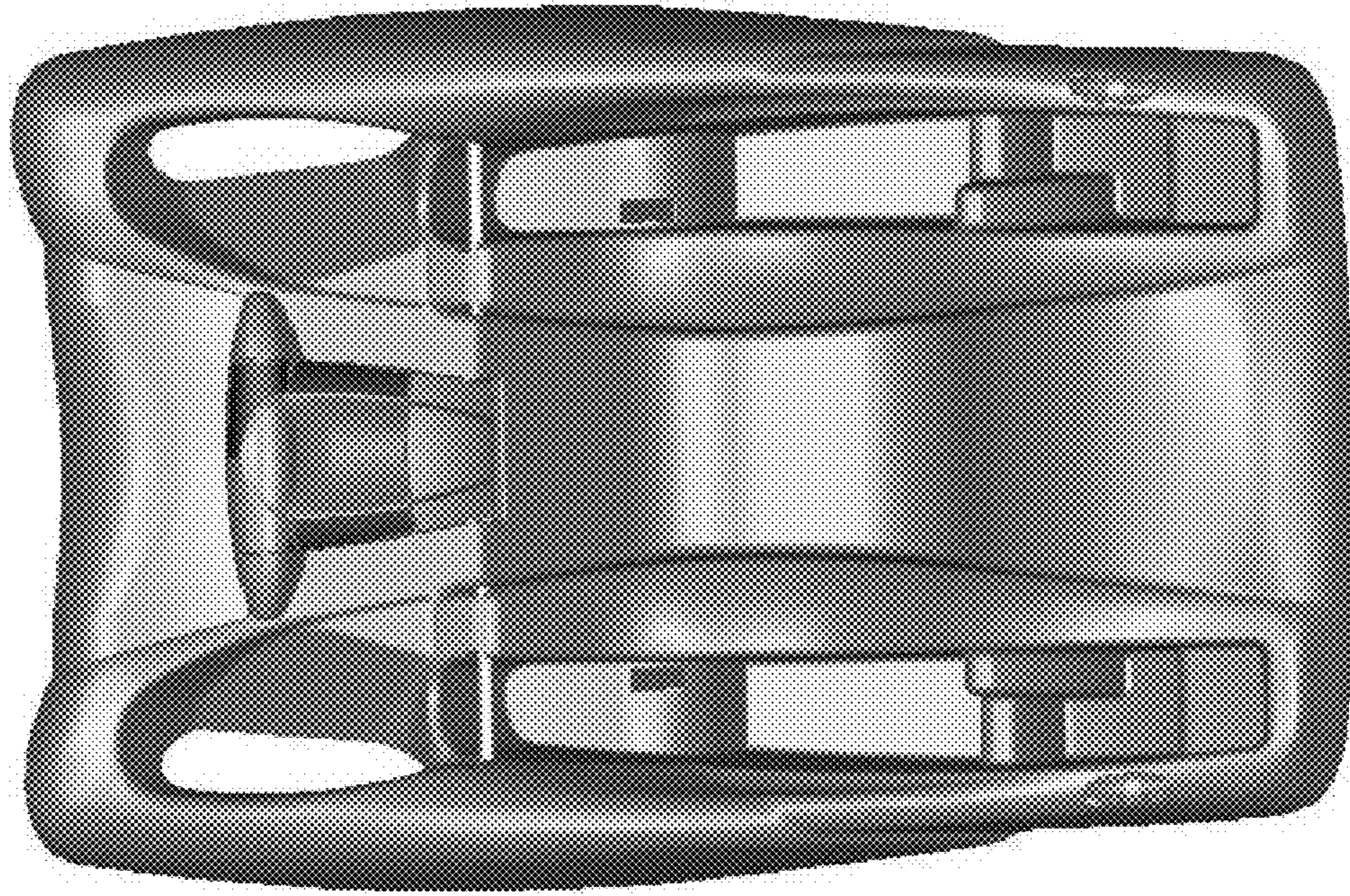


FIG. 5

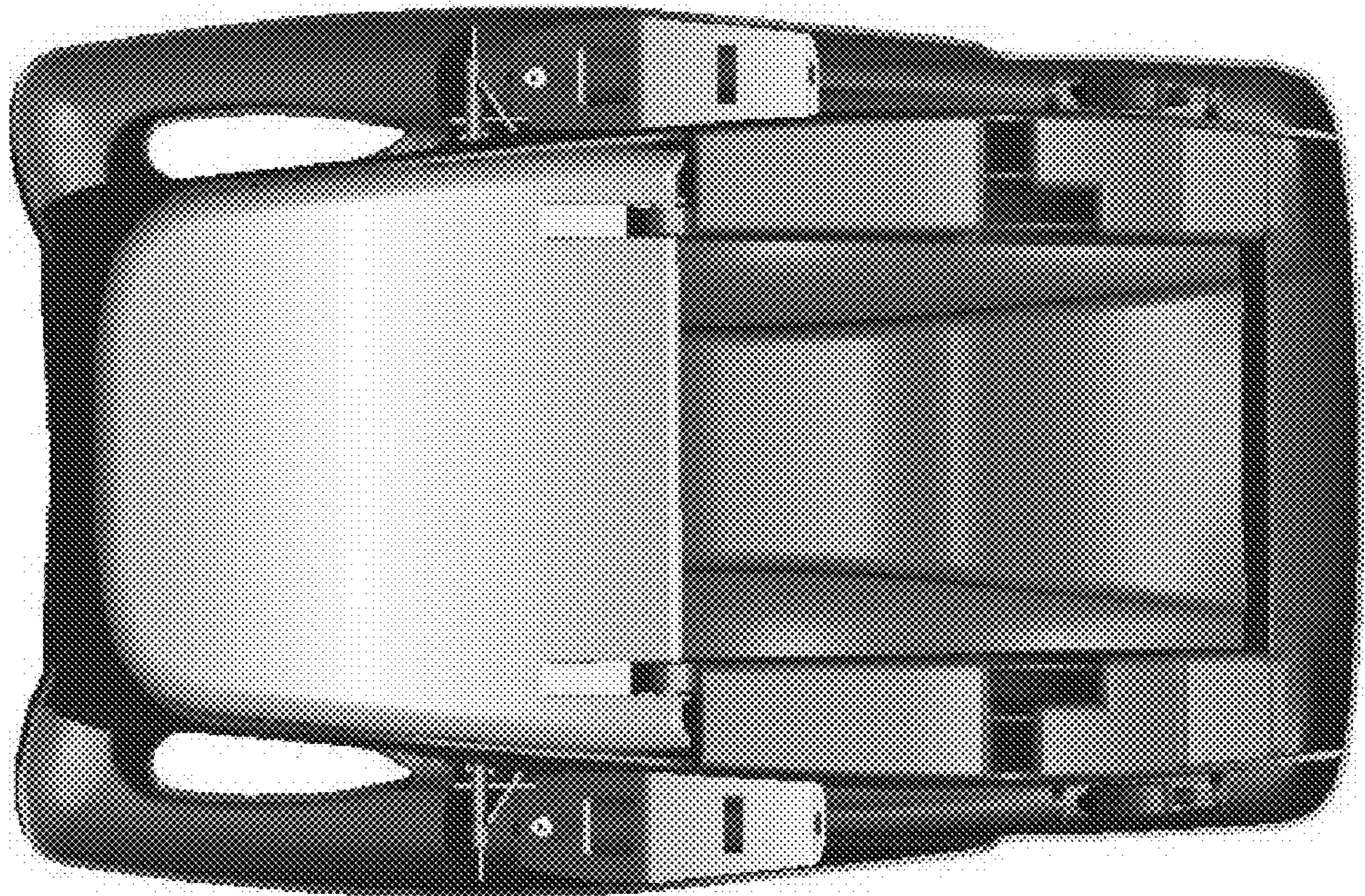


FIG. 6



FIG. 7

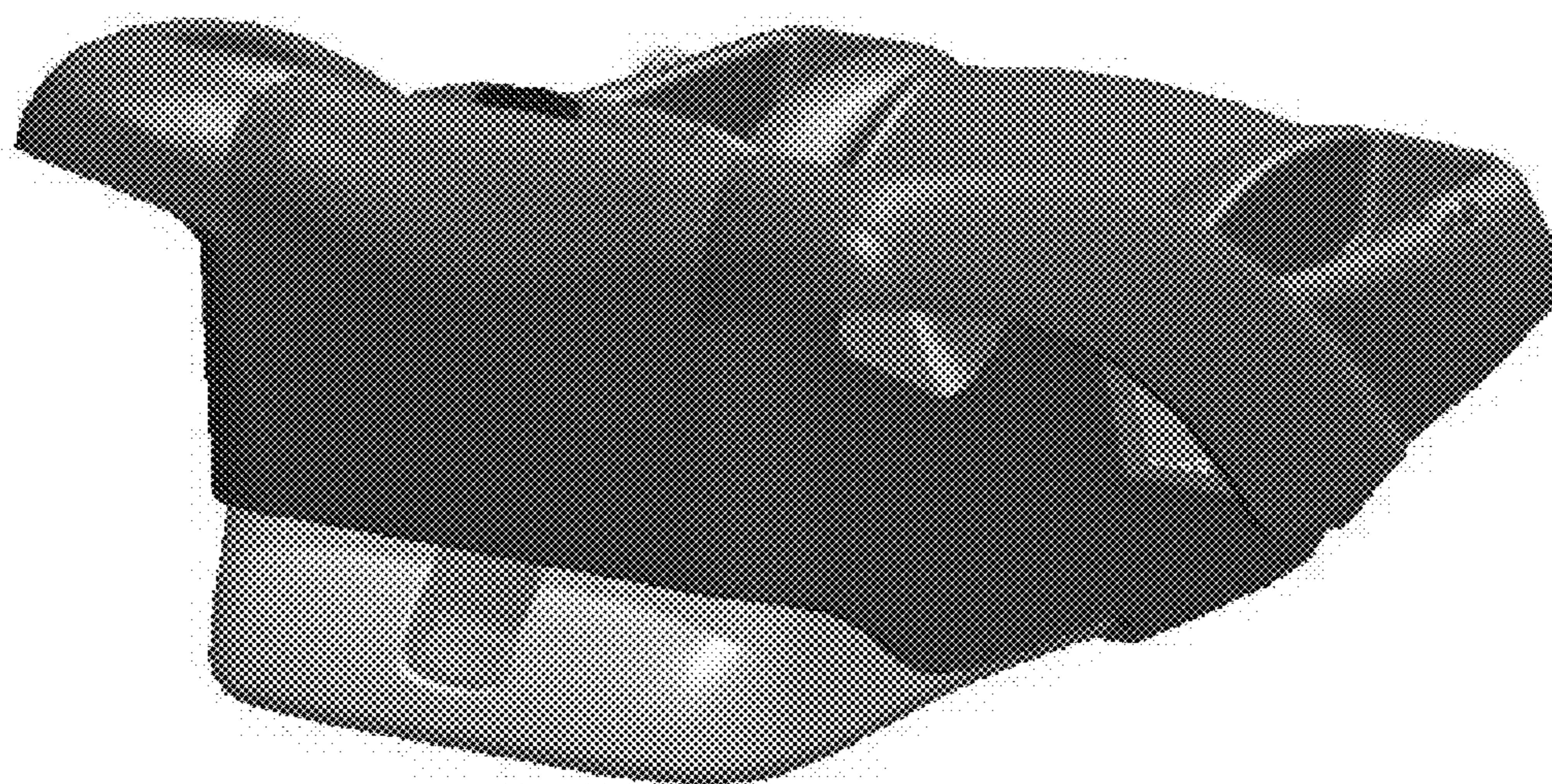


FIG. 8

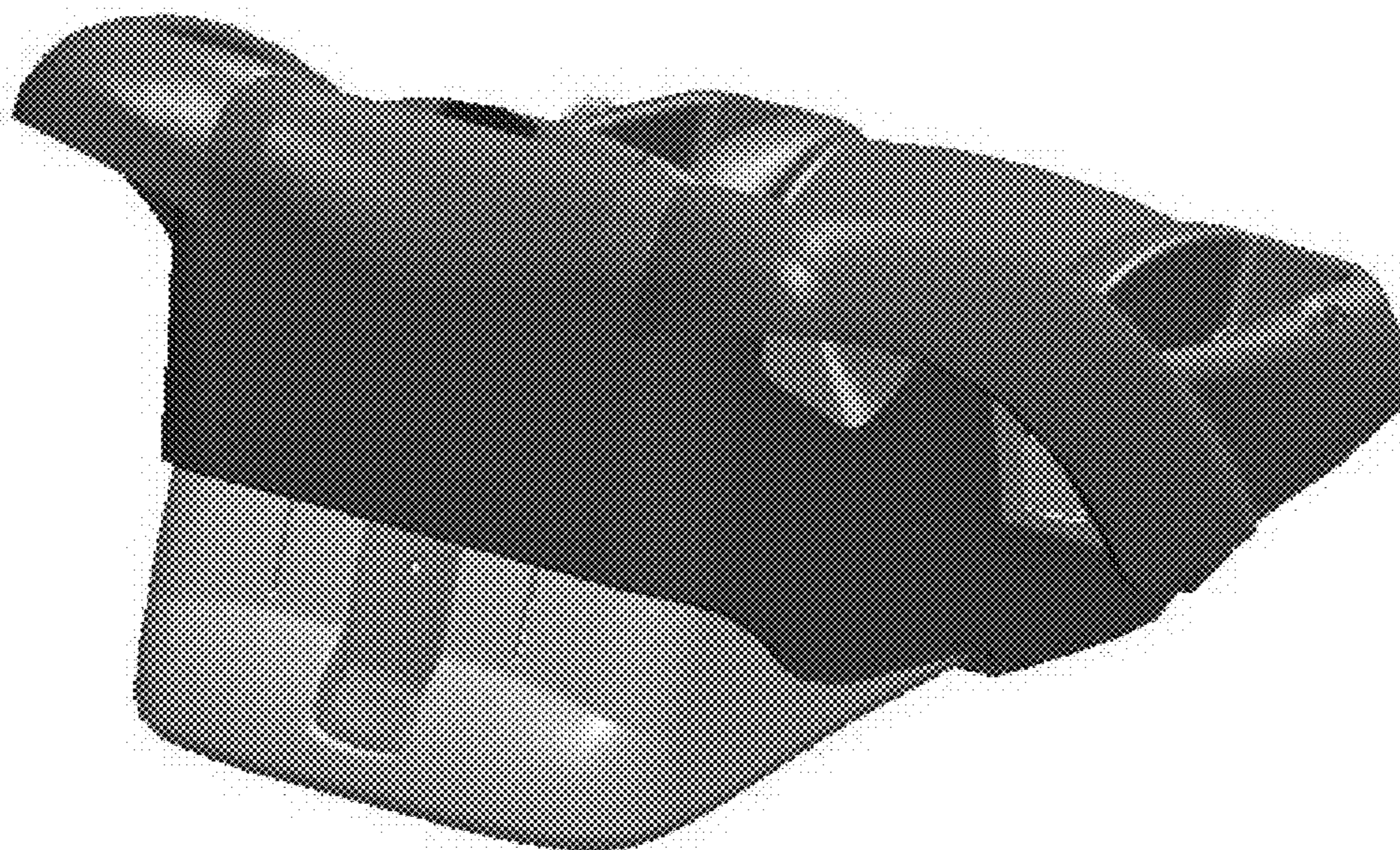


FIG. 9

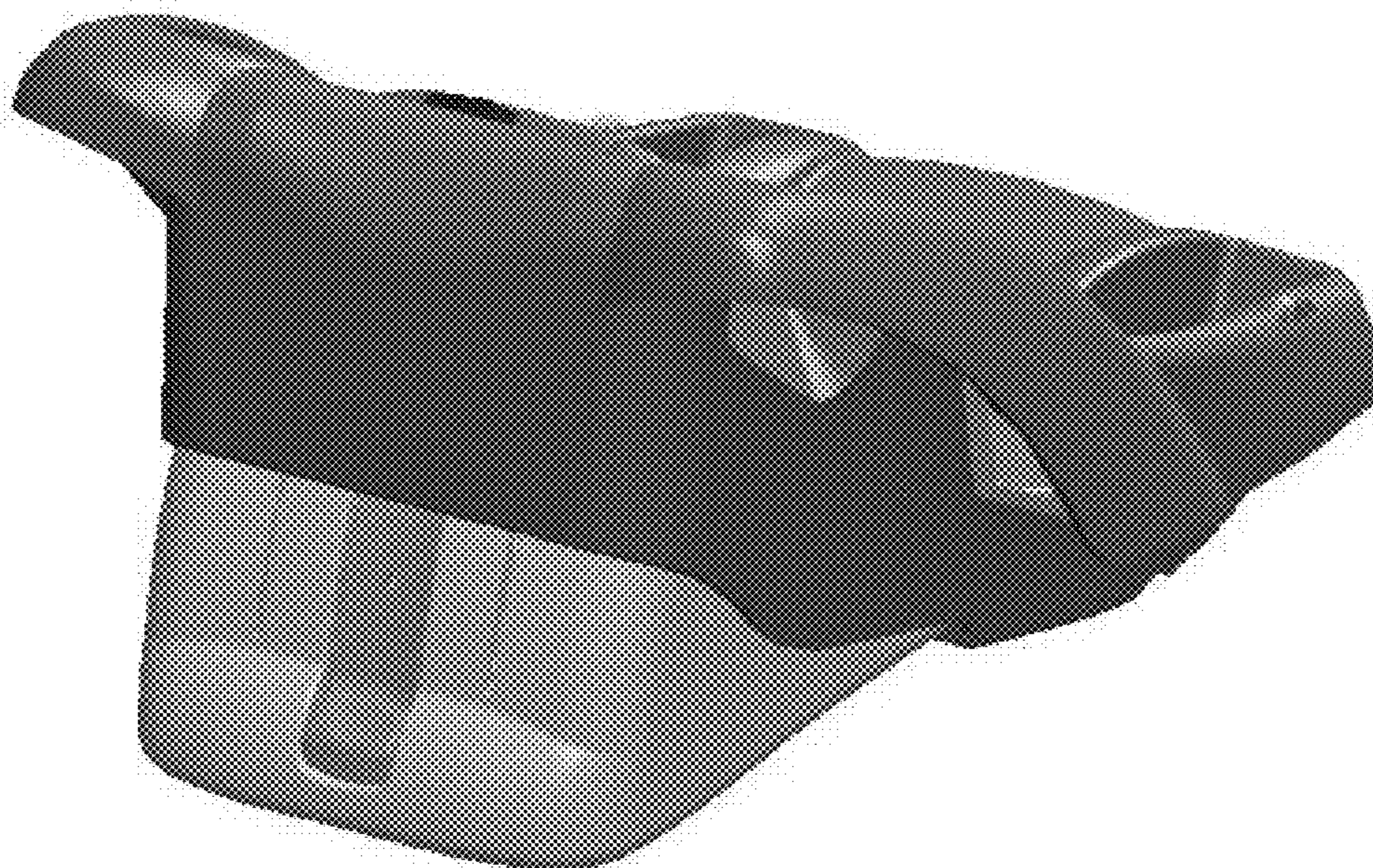


FIG. 10