



US00D650595S

(12) **United States Design Patent**
Ruminson

(10) **Patent No.:** **US D650,595 S**

(45) **Date of Patent:** **** Dec. 20, 2011**

(54) **COVER PAD FOR A CLOTHES HANGER**

(76) **Inventor:** **Wallace E. Ruminson**, Porterville, CA
(US)

(**) **Term:** **14 Years**

(21) **Appl. No.:** **29/368,728**

(22) **Filed:** **Aug. 27, 2010**

(51) **LOC (9) Cl.** **06-08**

(52) **U.S. Cl.** **D6/328**

(58) **Field of Classification Search** D6/315-328;
211/113, 183; 223/83, 84, 85, 92, 98, 120
See application file for complete search history.

(56) **References Cited**

U.S. PATENT DOCUMENTS

2,622,775	A	12/1952	Sasaki	
2,828,899	A	4/1958	Zuckerman	
2,910,215	A	10/1959	Auten	
3,212,687	A	10/1965	Bradley	
3,347,428	A	10/1967	Gauthier	
3,807,609	A	4/1974	Tymoszek	
4,160,516	A	7/1979	Rice	
4,658,997	A	4/1987	Nash	
D320,314	S *	10/1991	Evenson	D6/318
D327,582	S *	7/1992	Mathews	D6/328
D360,155	S *	7/1995	Williams	D10/104.1
D360,306	S *	7/1995	Hodzen	D6/328
D369,908	S *	5/1996	Pfutzenreuter	D6/328
D407,909	S *	4/1999	Pfutzenreuter	D6/328
D410,794	S *	6/1999	Hendrix	D6/328

6,012,620	A *	1/2000	Murray	223/98
D427,782	S	7/2000	St. L-Morency	
6,267,275	B1	7/2001	Murray	
6,418,595	B1 *	7/2002	Shih	24/536
6,840,413	B1	1/2005	Cameron et al.	
D528,310	S	9/2006	Berglund	
7,213,729	B2	5/2007	Machlica	

* cited by examiner

Primary Examiner — Prabhakar Deshmukh

(74) *Attorney, Agent, or Firm* — Lowry Blixseth LLP; Stuart O. Lowry; Scott M. Lowry

(57) **CLAIM**

The ornamental design for a cover pad for a clothes hanger, as shown and described.

DESCRIPTION

FIG. 1 is a front elevation view of a cover pad for a clothes hanger embodying the new design, the rear elevation view being a mirror image of the front side as shown;

FIG. 2 is a top plan view thereof;

FIG. 3 is a bottom plan view thereof;

FIG. 4 is a right end elevation view thereof; the left end being a mirror image of the right end as shown;

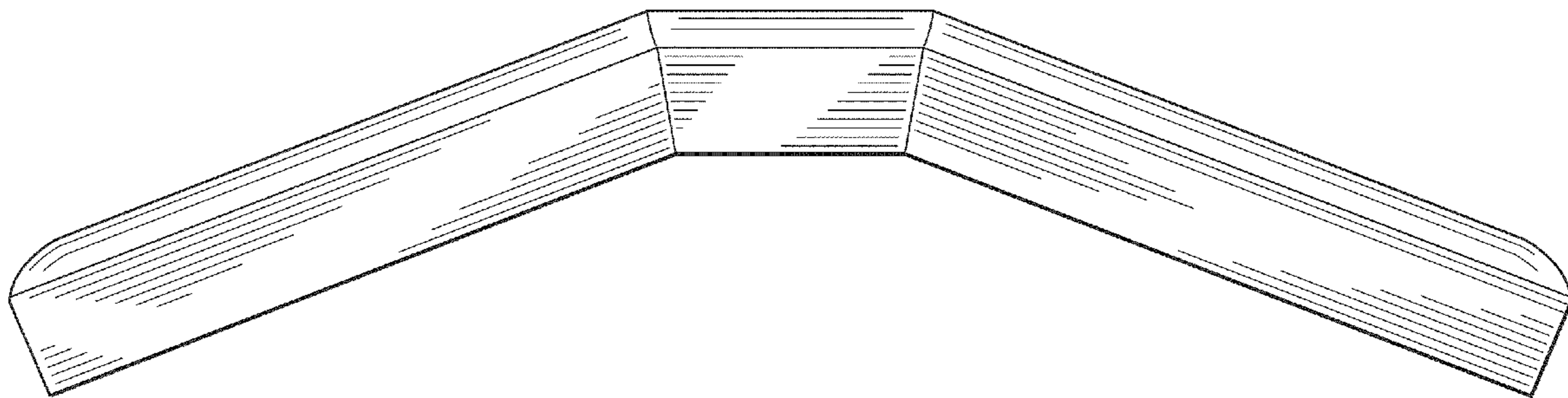
FIG. 5 is a transverse sectional view taken generally on the line 5-5 of FIG. 2;

FIG. 6 is a vertical sectional view taken generally on the line 6-6 of FIG. 5;

FIG. 7 is a vertical sectional view taken generally on the line 7-7 of FIG. 5; and,

FIG. 8 is a sectional view taken generally on the line 8-8 of FIG. 5.

1 Claim, 2 Drawing Sheets



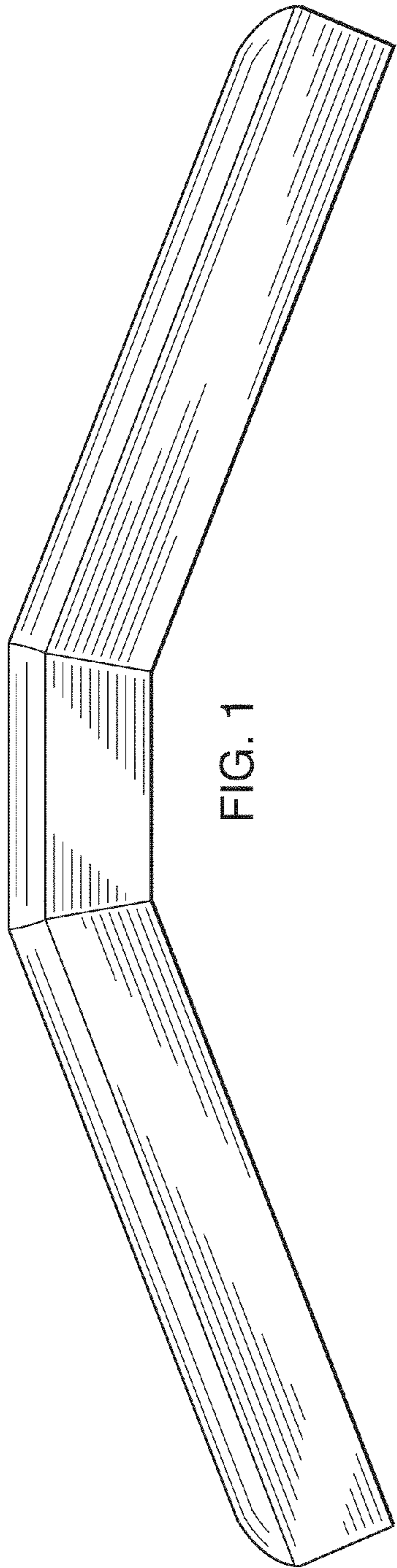


FIG. 1

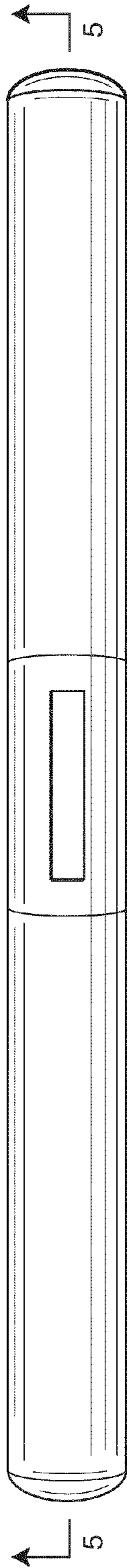


FIG. 2

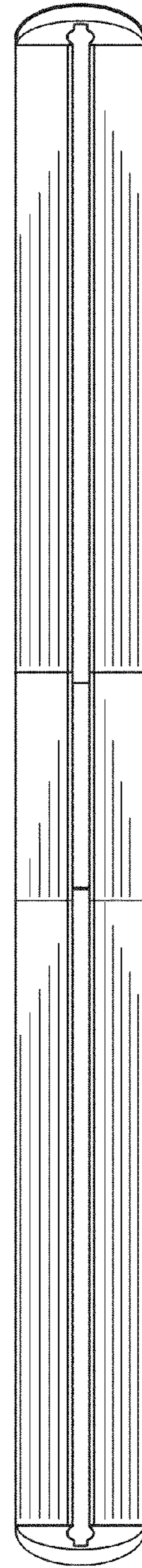


FIG. 3

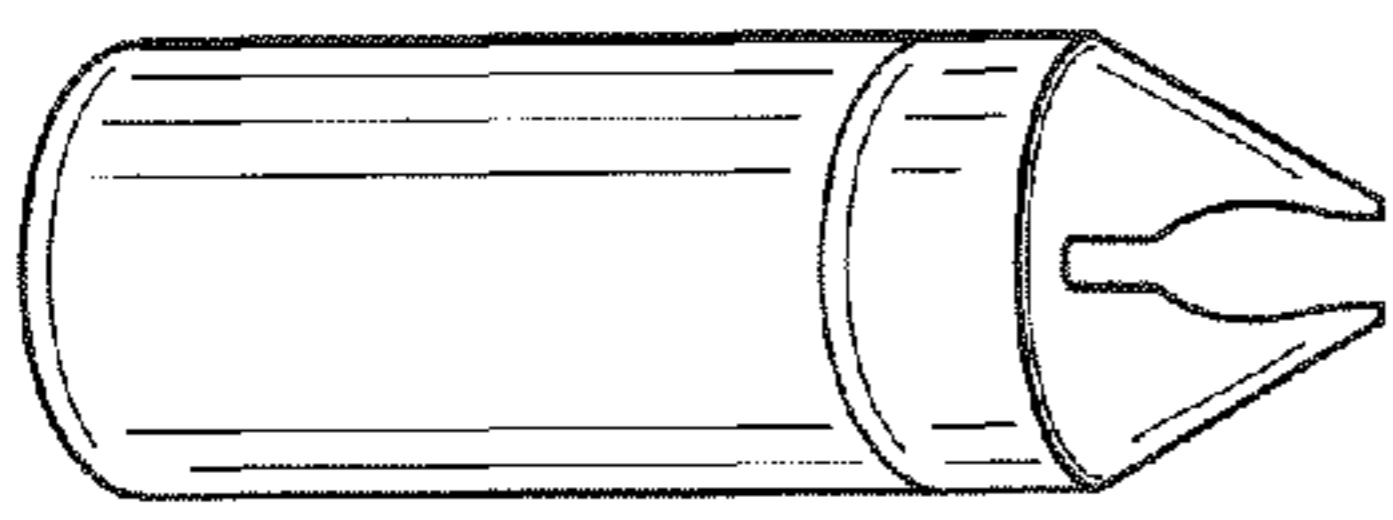


FIG. 4

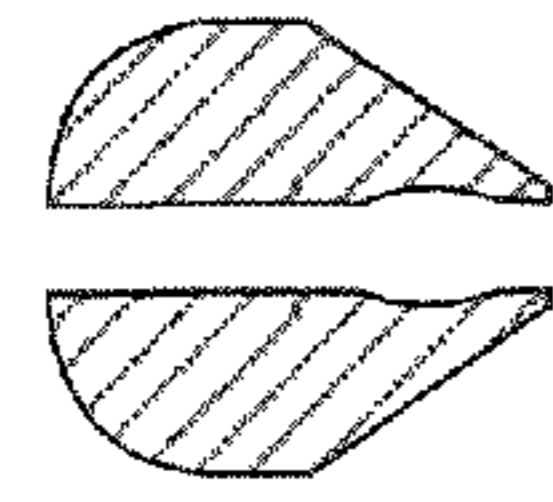


FIG. 6

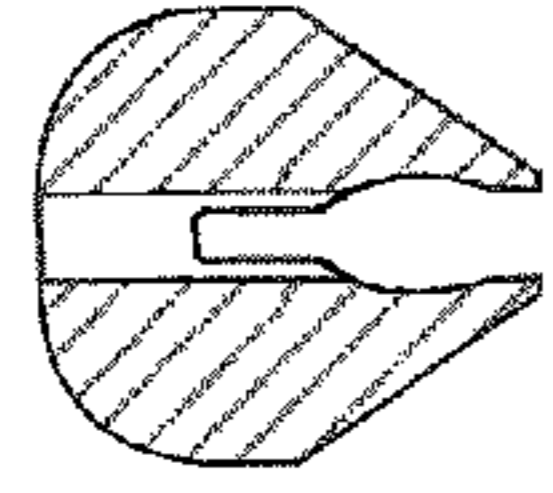


FIG. 7

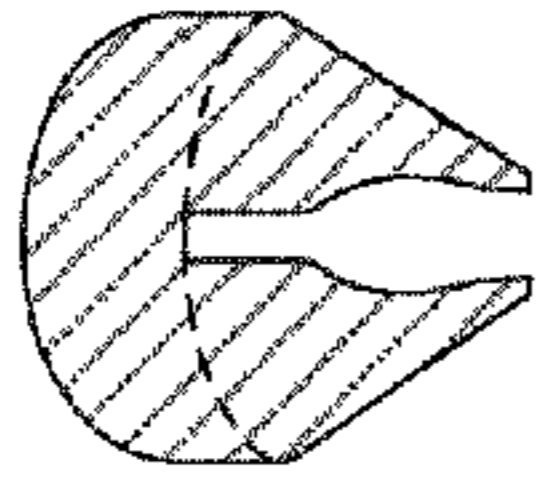


FIG. 8

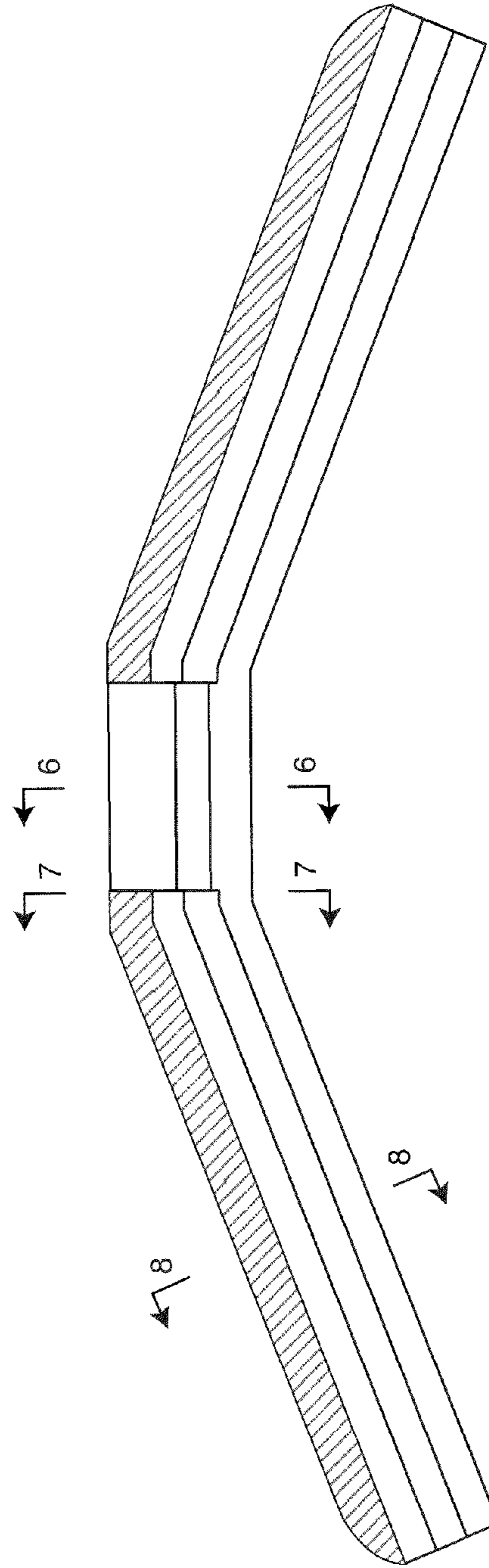


FIG. 5