



US00D650593S

(12) **United States Design Patent**
Tang et al.

(10) **Patent No.:** **US D650,593 S**

(45) **Date of Patent:** **** Dec. 20, 2011**

(54) **HOLDER**

(75) Inventors: **Chiang-Kuo Tang**, Tu-Cheng (TW);
Shen-Sheng Jiang, Shenzhen (CN)

(73) Assignee: **Hon Hai Precision Industry Co., Ltd.**,
Tu-Cheng, New Taipei (TW)

(**) Term: **14 Years**

(21) Appl. No.: **29/386,978**

(22) Filed: **Mar. 7, 2011**

(51) **LOC (9) Cl.** **06-07**

(52) **U.S. Cl.** **D6/311**

(58) **Field of Classification Search** D6/311,
D6/310, 313; D19/91; 248/456, 455, 460,
248/459, 441.1, 445, 450, 463, 465; D18/12;
D14/141.2, 447; 40/400, 711, 700; 206/45.26
See application file for complete search history.

(56) **References Cited**

U.S. PATENT DOCUMENTS

2,147,347	A *	2/1939	Jury	248/456
3,029,548	A *	4/1962	Braha	248/455
3,999,734	A *	12/1976	Gibson et al.	248/460
D244,331	S *	5/1977	Woods	D18/12

D257,305	S *	10/1980	Kaempkes	D6/311
D265,916	S *	8/1982	Evenson	D19/91
D564,763	S *	3/2008	Yue	D6/313

* cited by examiner

Primary Examiner — Philip S Hyder

Assistant Examiner — Sydney Buffalow

(74) *Attorney, Agent, or Firm* — Altis Law Group, Inc.

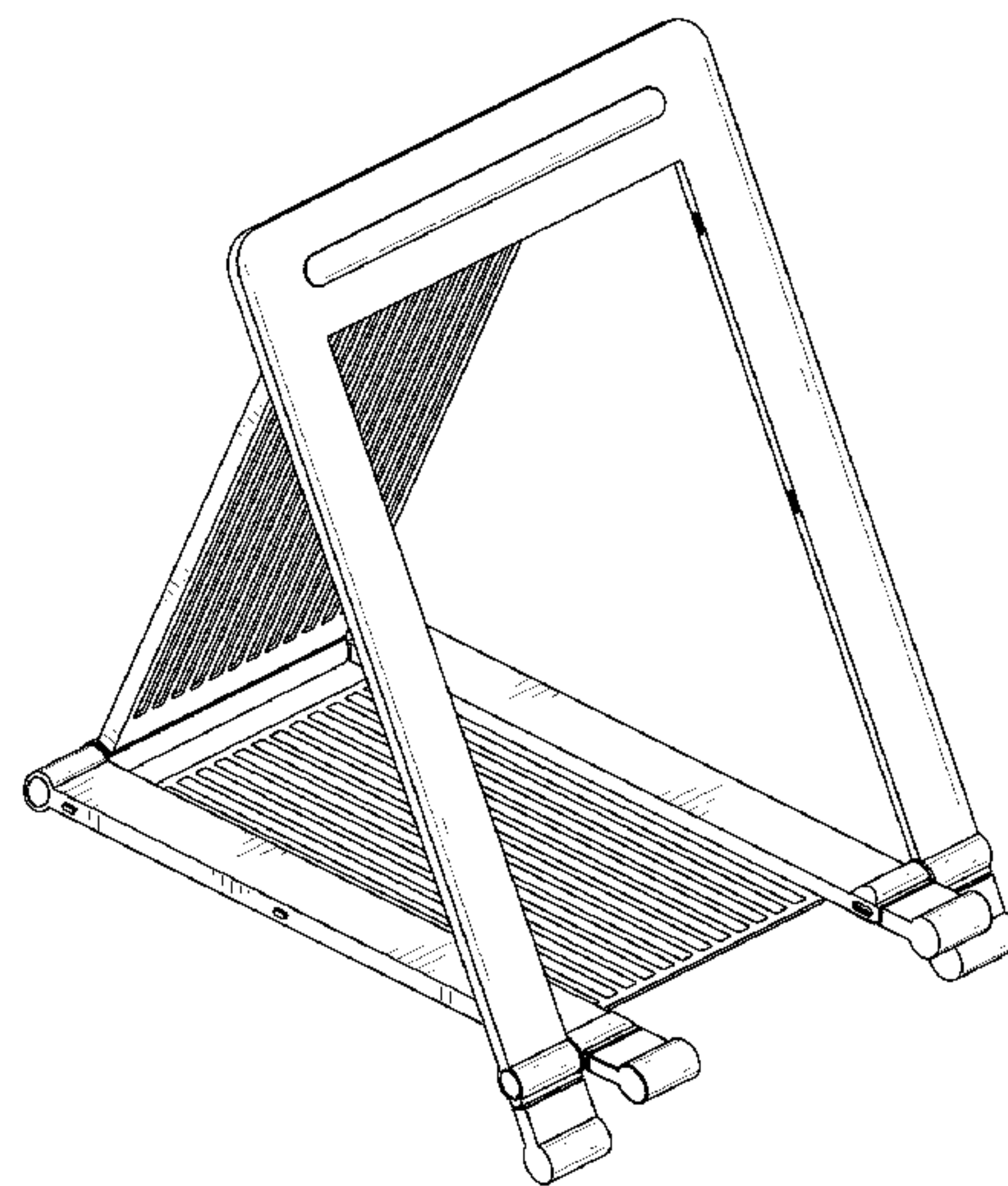
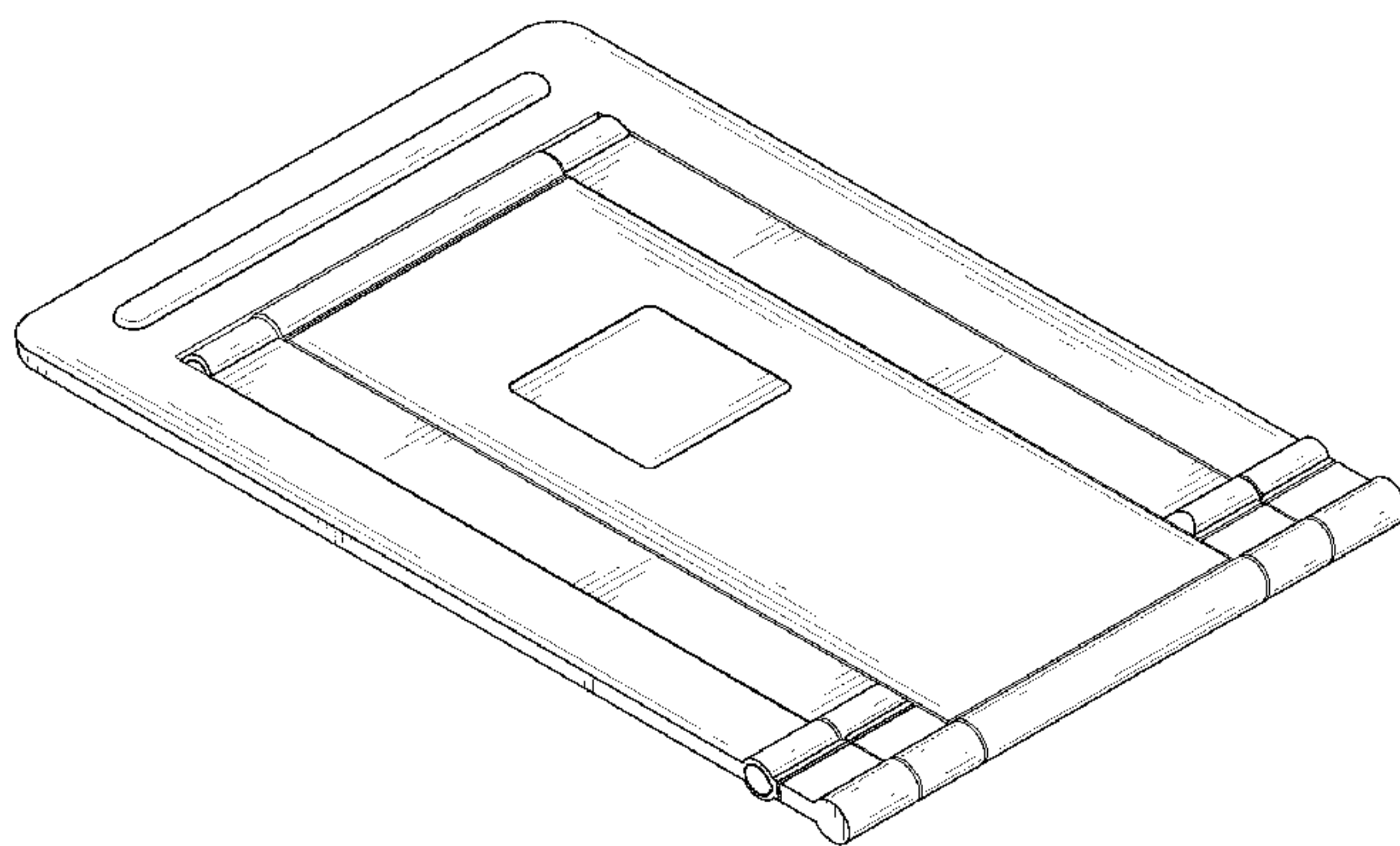
(57) **CLAIM**

The ornamental design for a holder, as shown and described.

DESCRIPTION

FIG. 1 is a perspective view of a holder showing our new design;
 FIG. 2 is a front elevational view thereof;
 FIG. 3 is a rear elevational view thereof;
 FIG. 4 is a left side elevational view thereof;
 FIG. 5 is a right side elevational view thereof;
 FIG. 6 is a top plan view thereof;
 FIG. 7 is a bottom plan view thereof;
 FIG. 8 is a front perspective view of the holder of FIG. 1 in an open position; and,
 FIG. 9 is a rear perspective view of the holder of FIG. 1 in the open position.

1 Claim, 9 Drawing Sheets



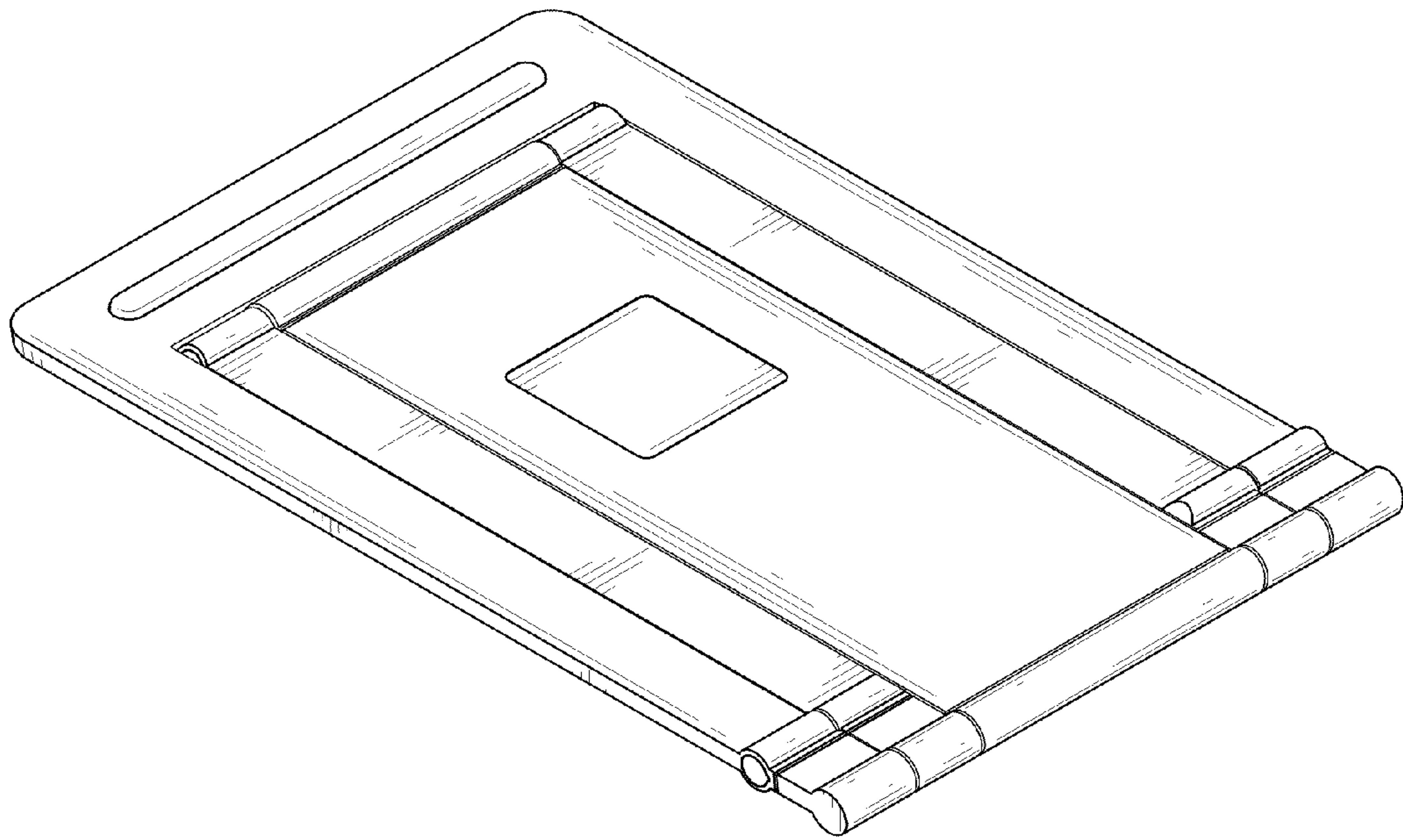


FIG. 1

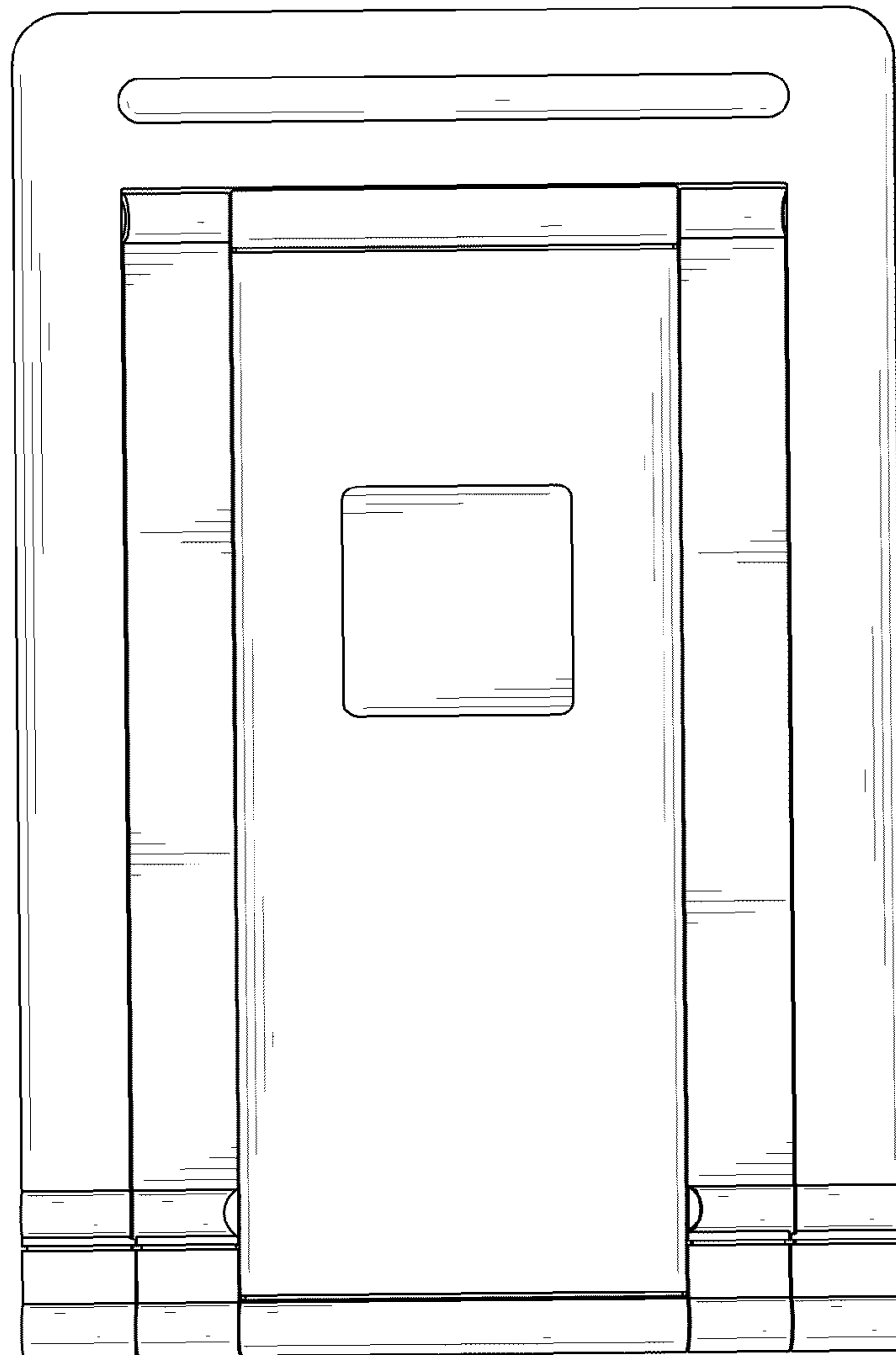


FIG. 2

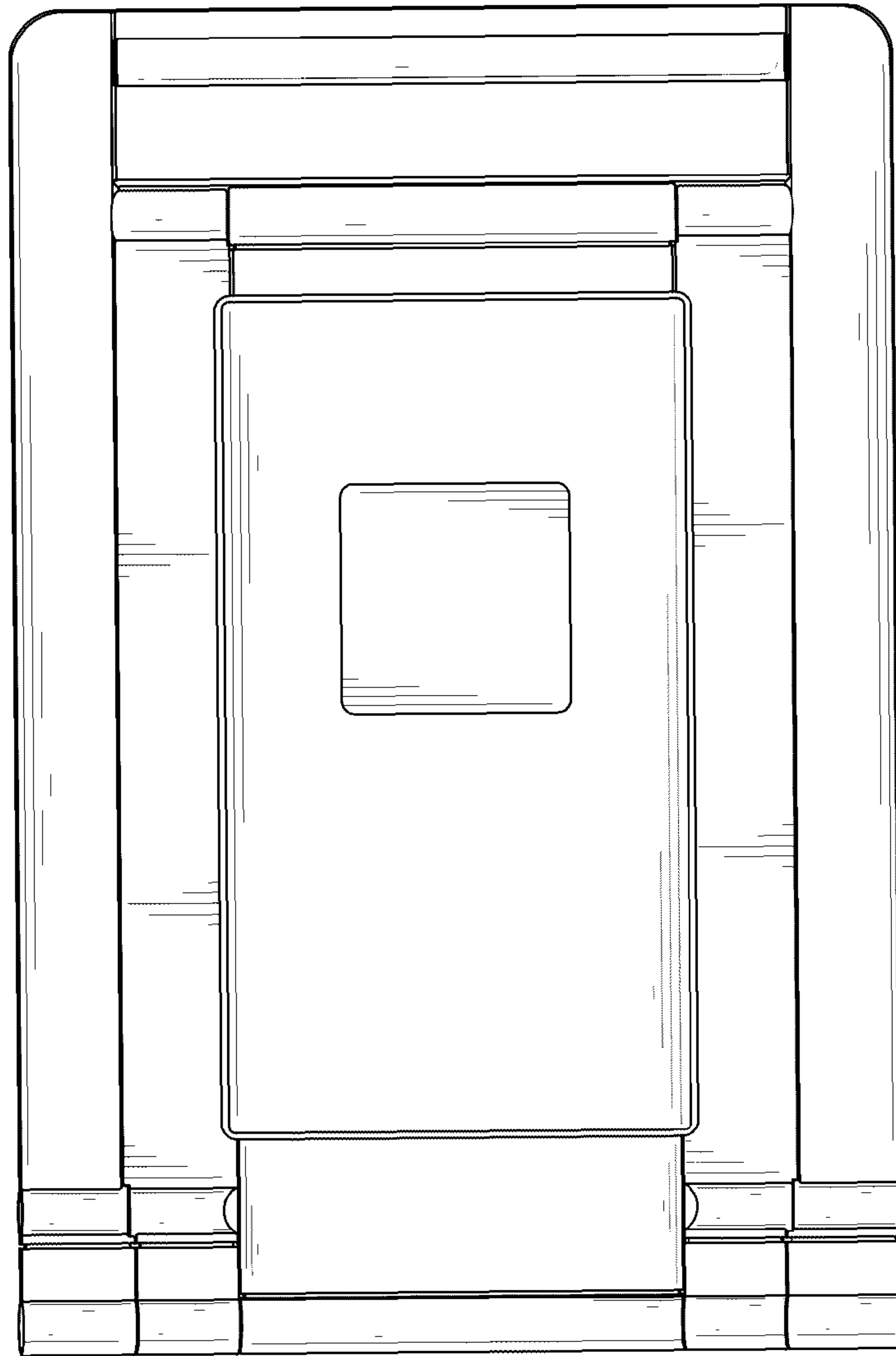


FIG. 3

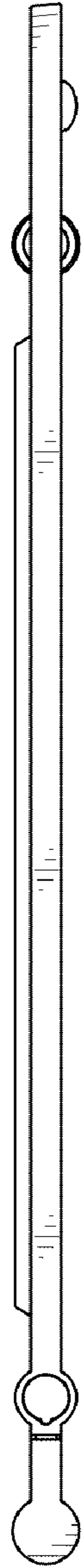


FIG. 4

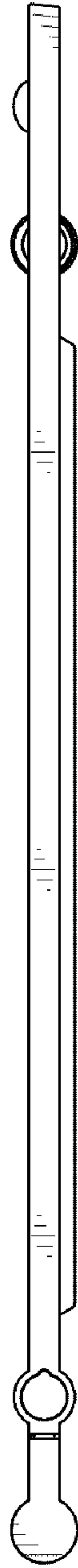


FIG. 5

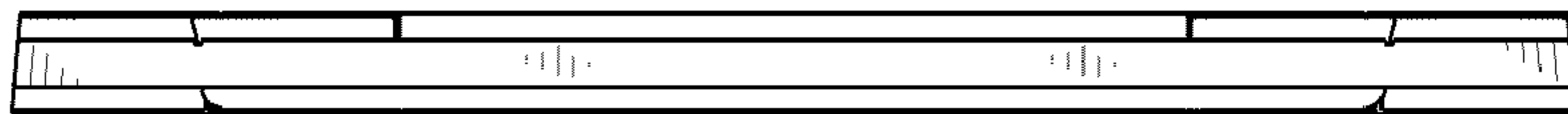


FIG. 6



FIG. 7

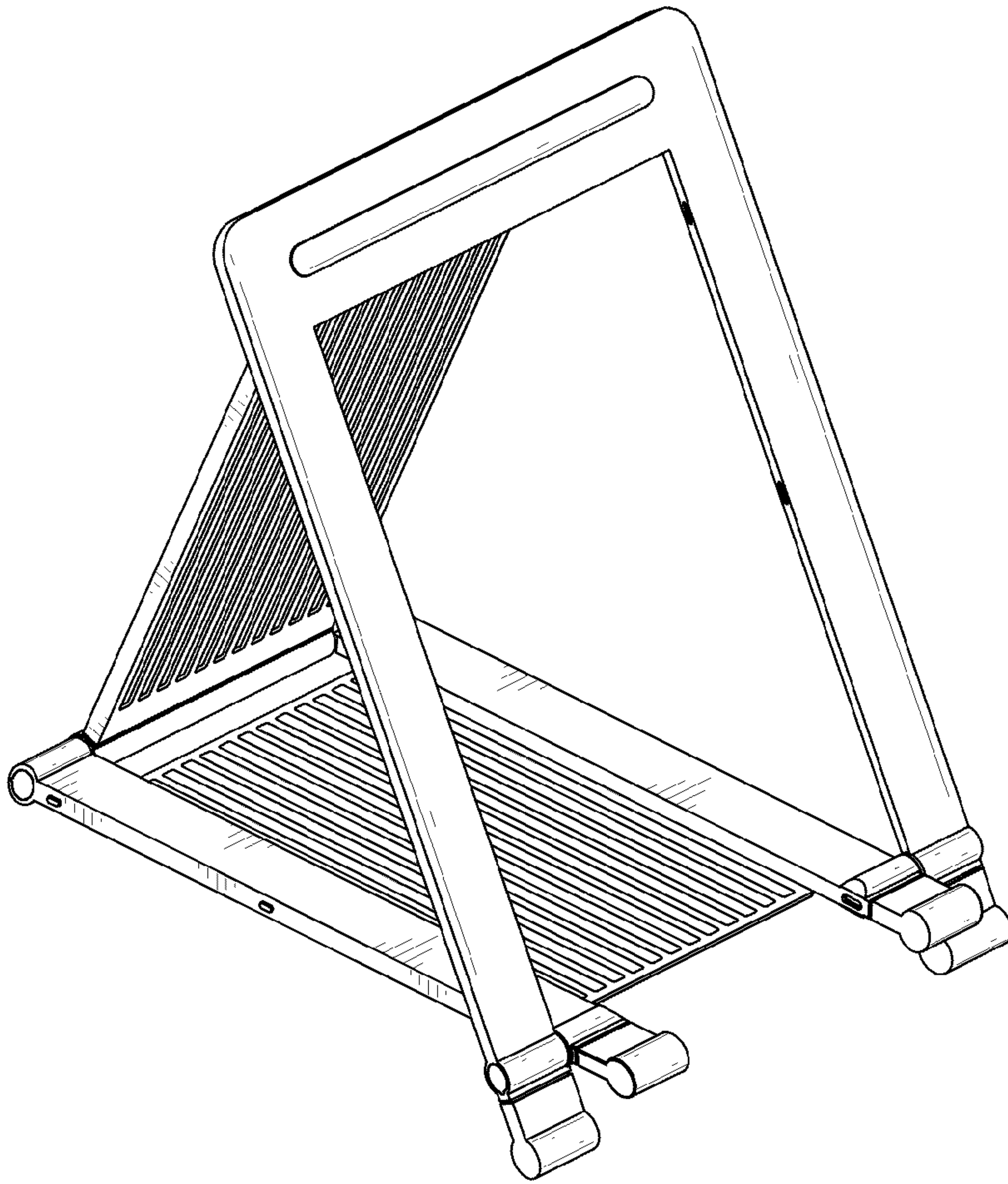


FIG. 8

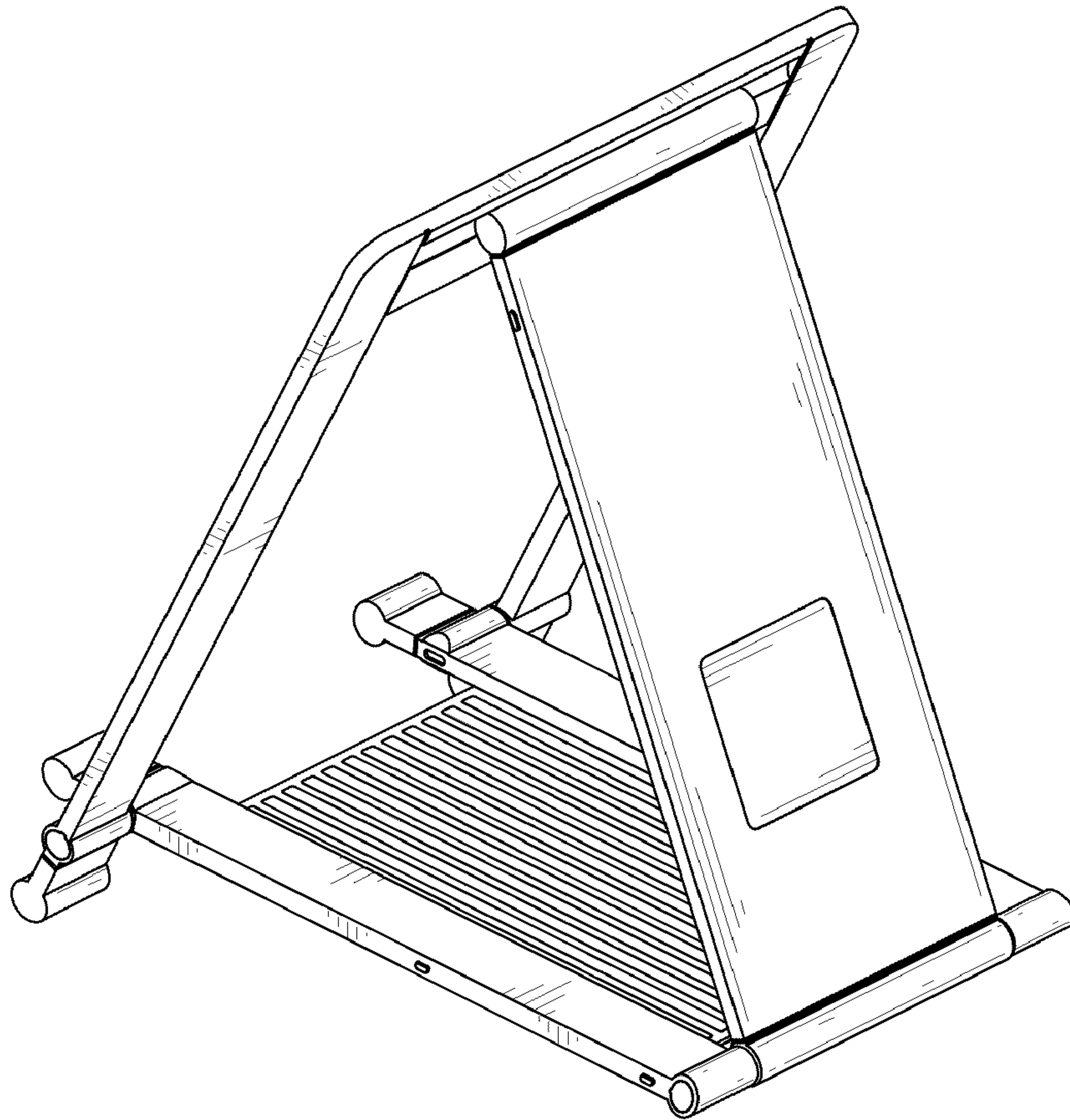


FIG. 9