



US00D650592S

(12) **United States Design Patent**
Chiu

(10) **Patent No.:** **US D650,592 S**

(45) **Date of Patent:** **** Dec. 20, 2011**

(54) **DISPLAY**

(75) Inventor: **Yi-Chung Chiu**, Taoyuan County (TW)

(73) Assignee: **Hannsree, Inc.**, New Taipei (TW)

(**) Term: **14 Years**

(21) Appl. No.: **29/390,596**

(22) Filed: **Apr. 27, 2011**

(51) **LOC (9) Cl.** **06-07**

(52) **U.S. Cl.** **D6/308; D6/303; D14/371**

(58) **Field of Classification Search** D6/300-314,
D6/444; D11/132; 40/700, 768, 717, 714,
40/721, 735, 773; D14/372, 371, 337, 250,
D14/146, 341, 496, 448, 449, 374, 381, 382,
D14/147; D10/24, 75, 2; D20/10
See application file for complete search history.

(56) **References Cited**

U.S. PATENT DOCUMENTS

D181,726 S * 12/1957 Greason D6/310
D233,500 S * 11/1974 Phillips D6/303

D237,933 S * 12/1975 Farely D6/303
D340,880 S * 11/1993 Walton D11/132
D440,407 S * 4/2001 Farley D6/303
D531,821 S * 11/2006 Tipton D6/303

* cited by examiner

Primary Examiner — Philip S Hyder

Assistant Examiner — Sydney Buffalow

(74) *Attorney, Agent, or Firm* — Guice Patents PLLC

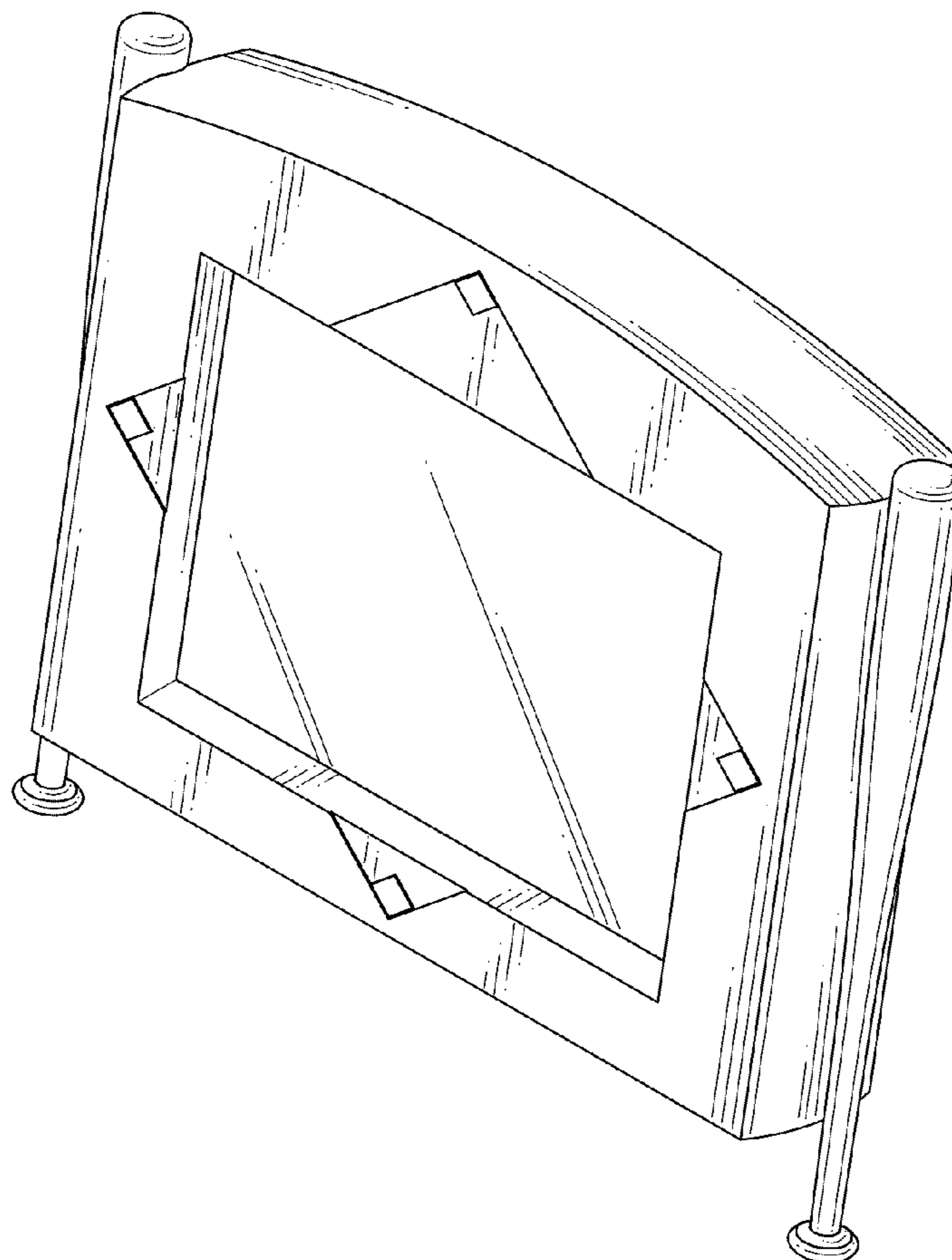
(57) **CLAIM**

The ornamental design for a display, as shown and described.

DESCRIPTION

FIG. 1 is a perspective view of display showing the design;
FIG. 2 is a front side view thereof;
FIG. 3 is a rear side view thereof;
FIG. 4 is a left side view thereof;
FIG. 5 is a right side view thereof;
FIG. 6 is a top plan view thereof; and,
FIG. 7 is a bottom plan view thereof.

1 Claim, 5 Drawing Sheets



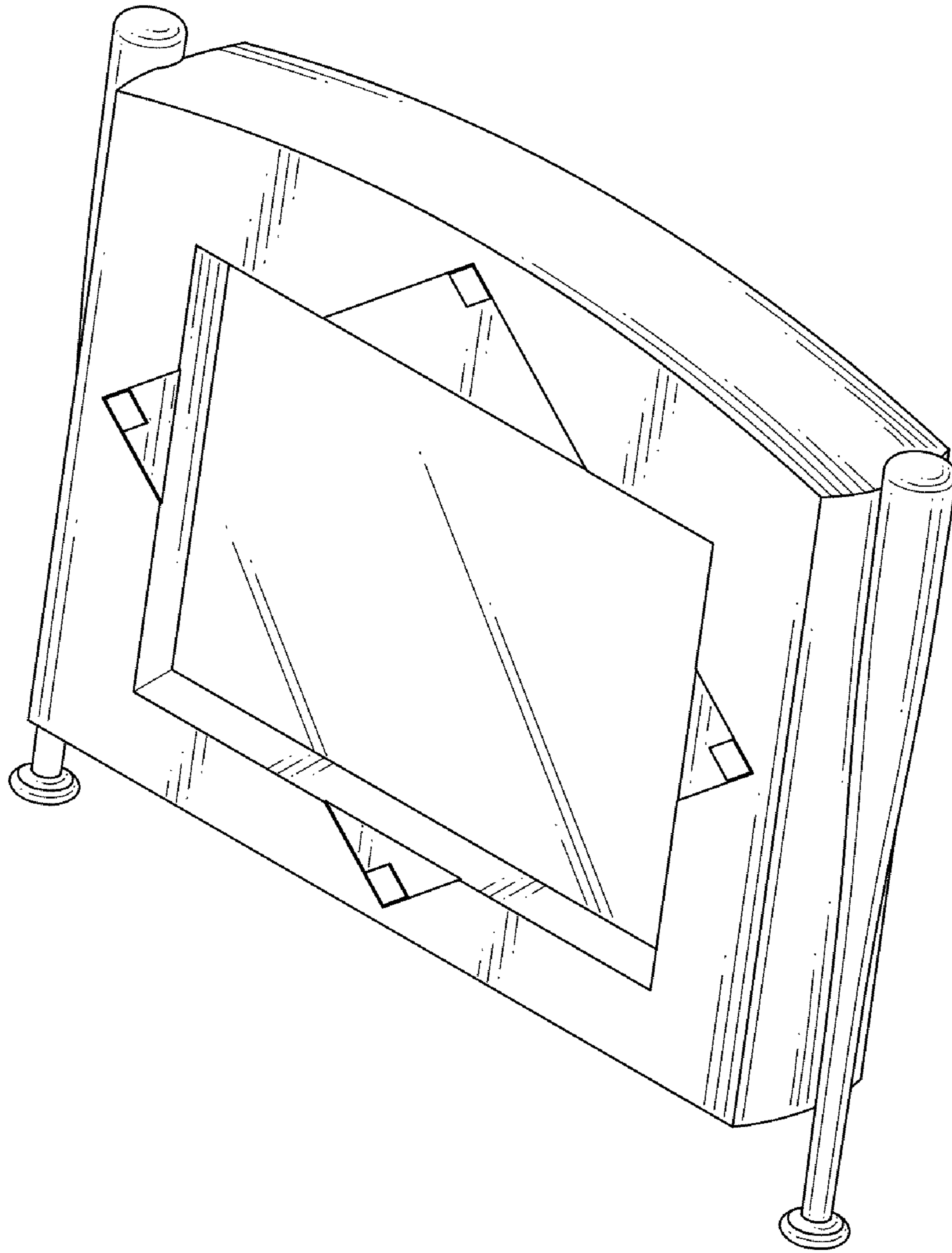


FIG. 1

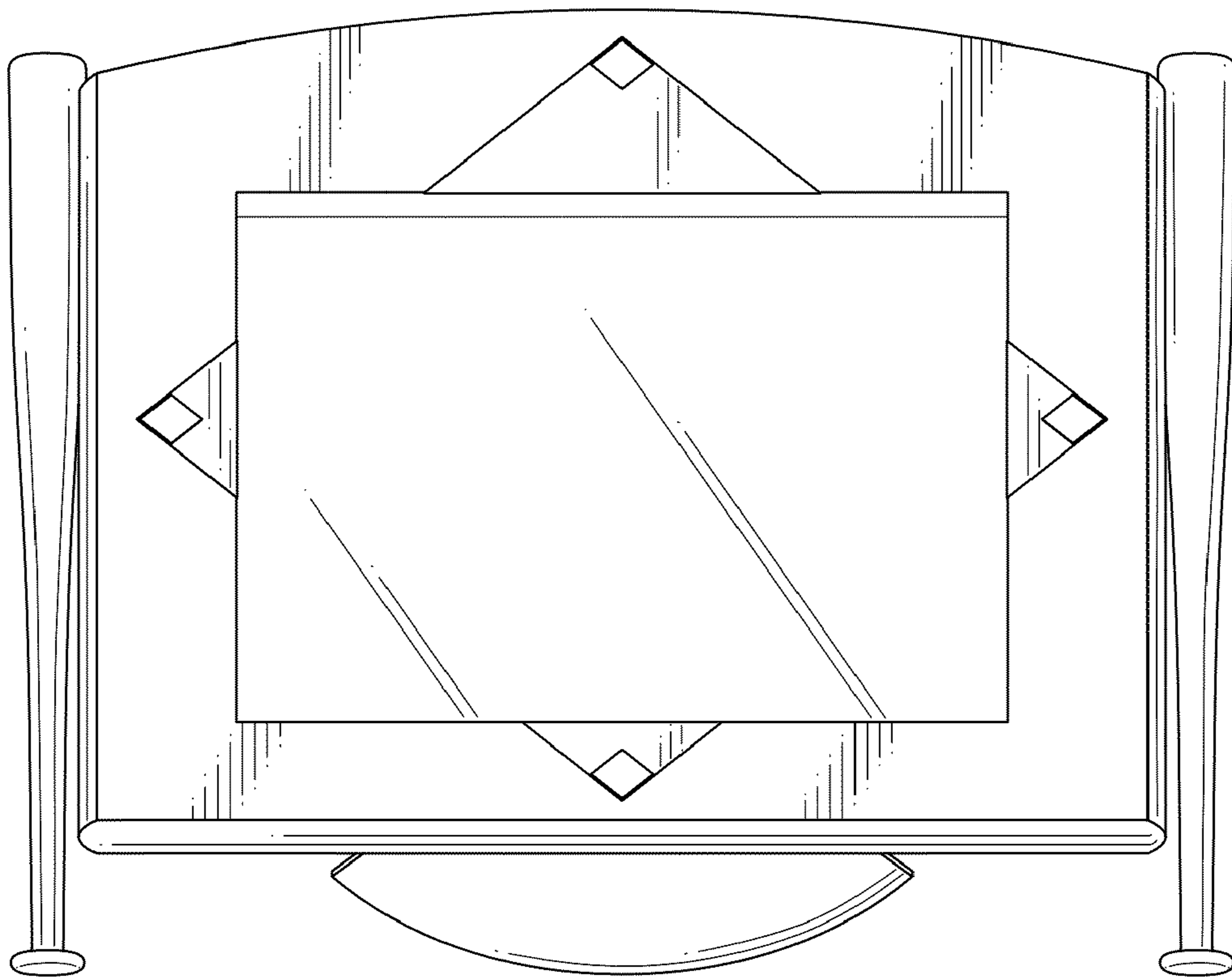


FIG. 2

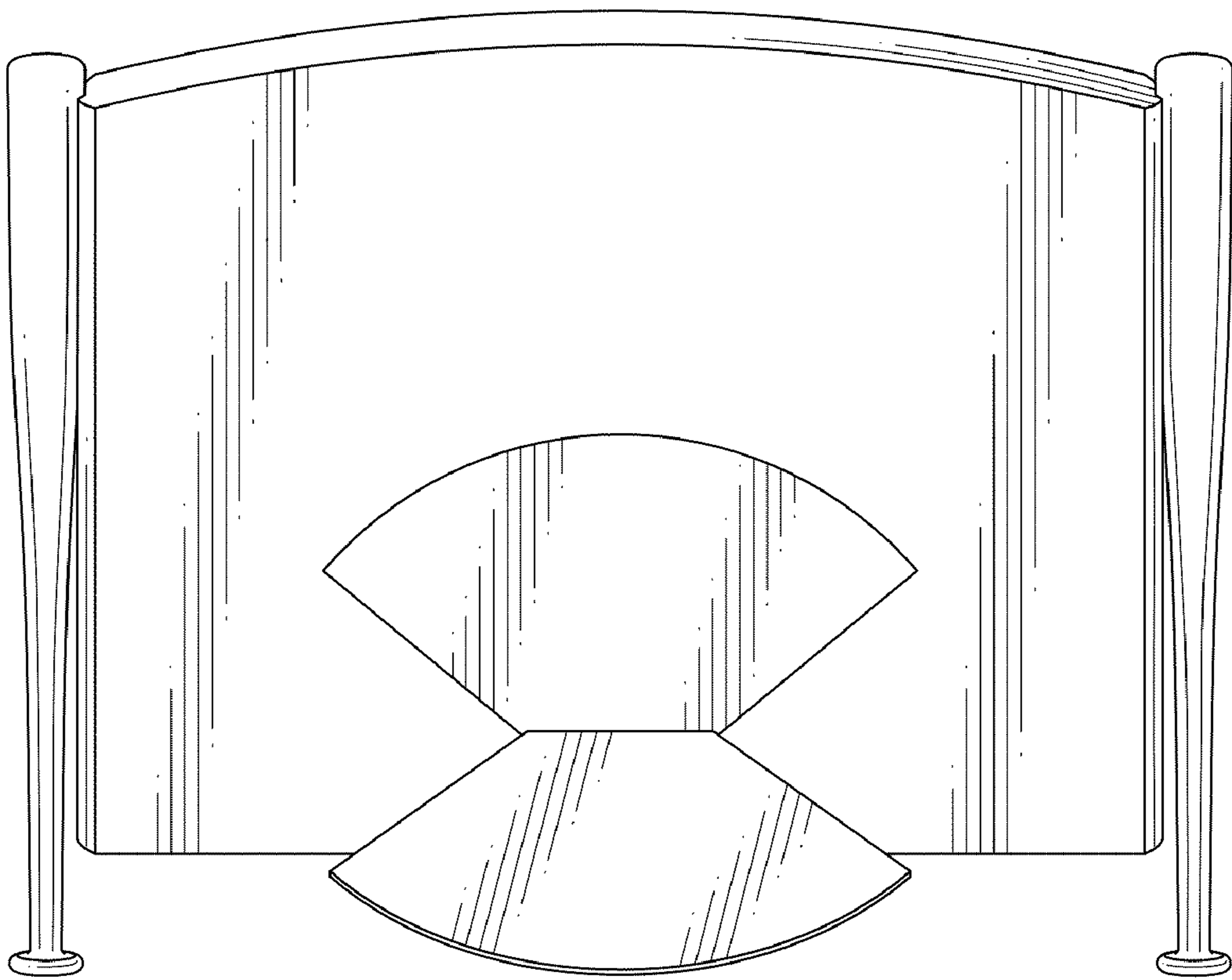


FIG. 3

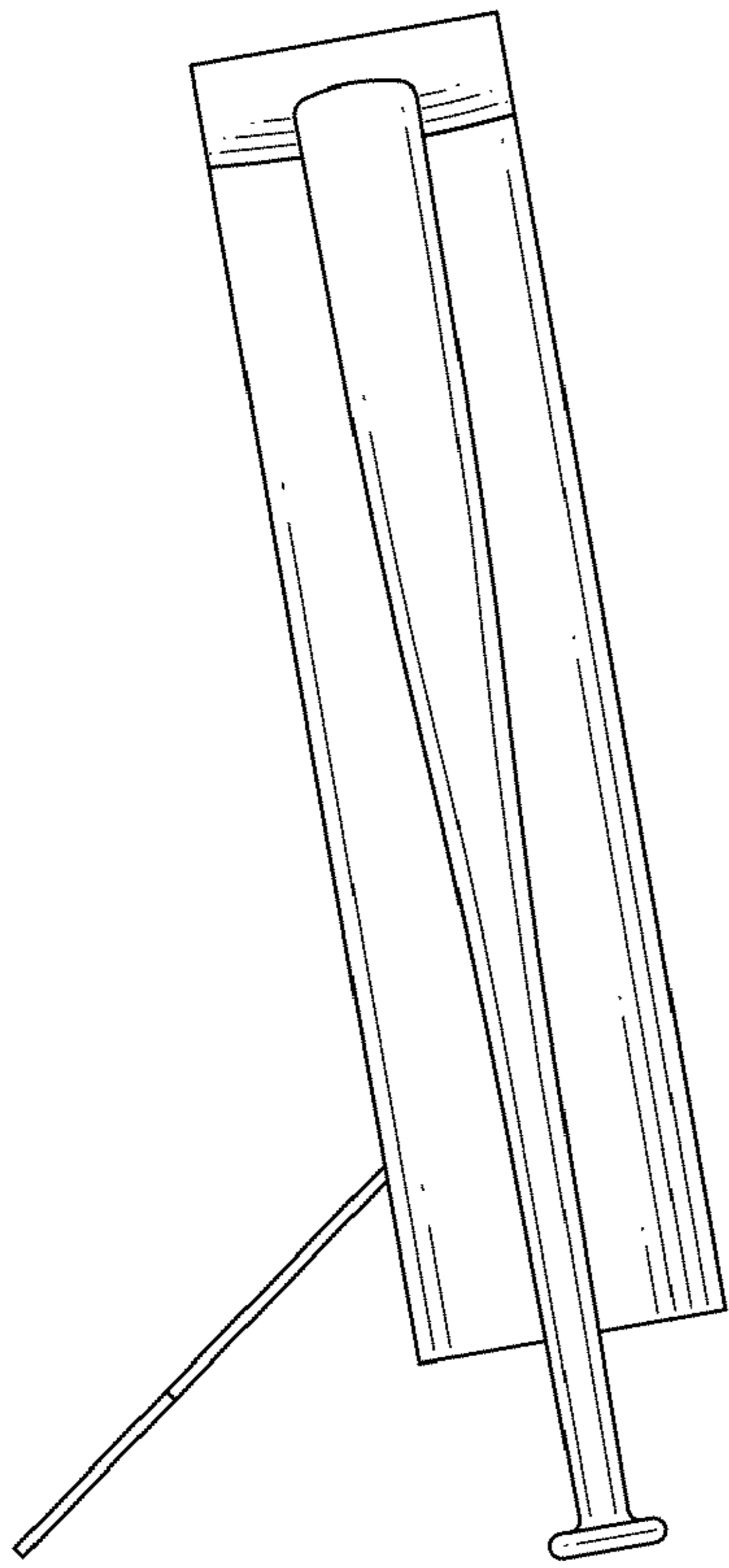


FIG. 4

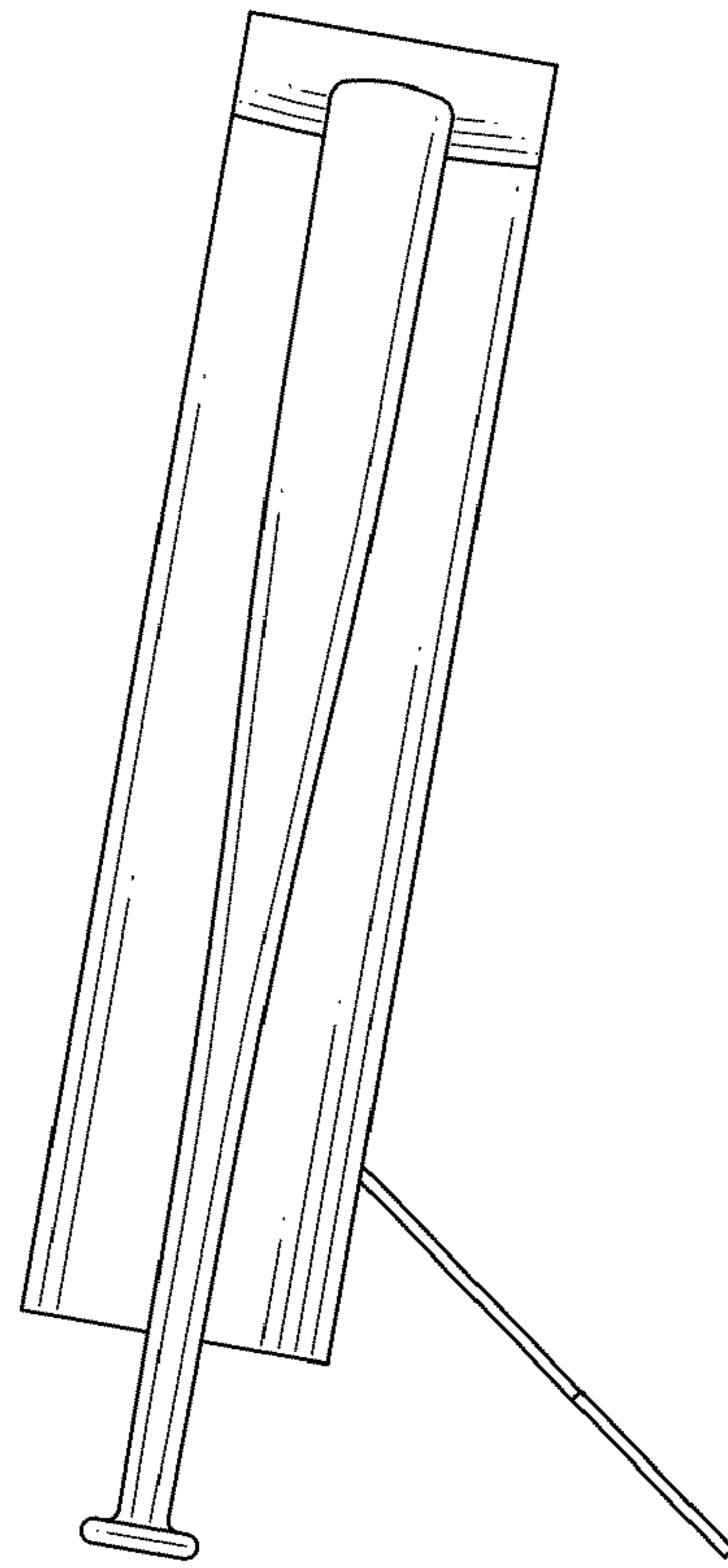


FIG. 5

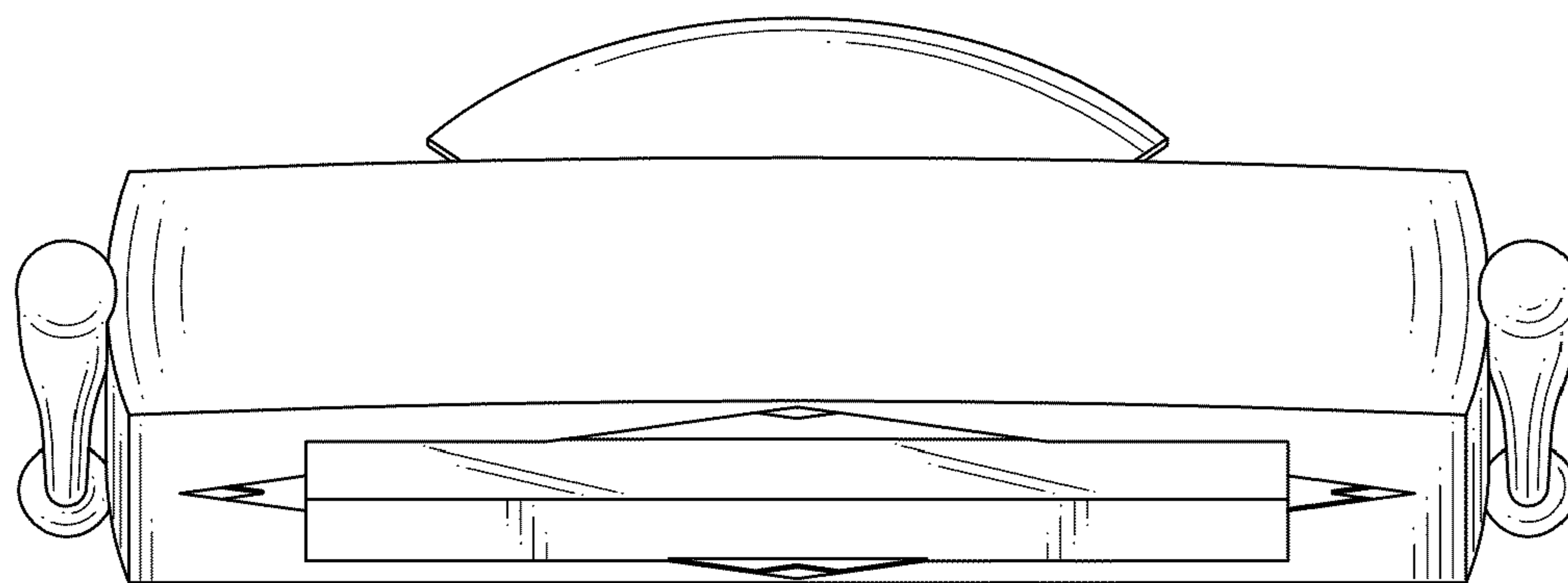


FIG. 6

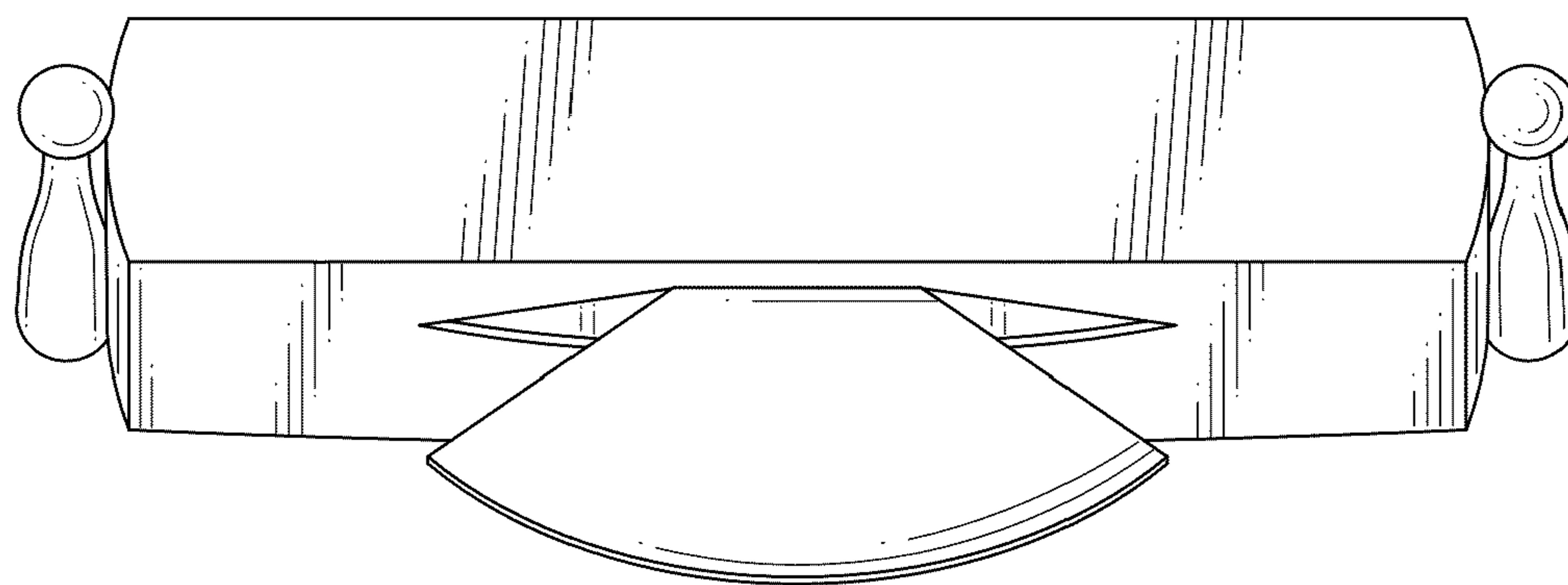


FIG. 7