



US00D650591S

(12) **United States Design Patent**
Vincent

(10) **Patent No.:** **US D650,591 S**
(45) **Date of Patent:** **** Dec. 20, 2011**

(54) **FLORAL PHOTOGRAPH HOLDER**

FOREIGN PATENT DOCUMENTS

(75) Inventor: **Thomas Vincent**, Salt Spring Island (CA)

DE 20302963 5/2003
(Continued)

(73) Assignee: **Umbra LLC**, Buffalo, NY (US)

OTHER PUBLICATIONS

(**) Term: **14 Years**

www.living-helper.com, Zhejiang Cathaya Light Products [sic] and Textiles Imp. & Exp. Co., Ltd., Living Helper from Cathaya Catalog, Photo Clips, 1-2, CA08-602, Feb. 23, 2009, Hangzhou, China.

(21) Appl. No.: **29/391,878**

(Continued)

(22) Filed: **May 13, 2011**

(51) **LOC (9) Cl.** **06-07**

Primary Examiner — Philip S Hyder

(52) **U.S. Cl.** **D6/306**

Assistant Examiner — Sydney Buffalow

(58) **Field of Classification Search** D6/306,
D6/301, 300; 40/722, 700, 711, 714, 715,
40/721, 745, 780, 729, 731; D21/467; D2/896;
D11/141

(74) *Attorney, Agent, or Firm* — Simpson & Simpson, PLLC

See application file for complete search history.

(57) **CLAIM**

The ornamental design for a floral photograph holder, as shown and described.

(56) **References Cited**

U.S. PATENT DOCUMENTS

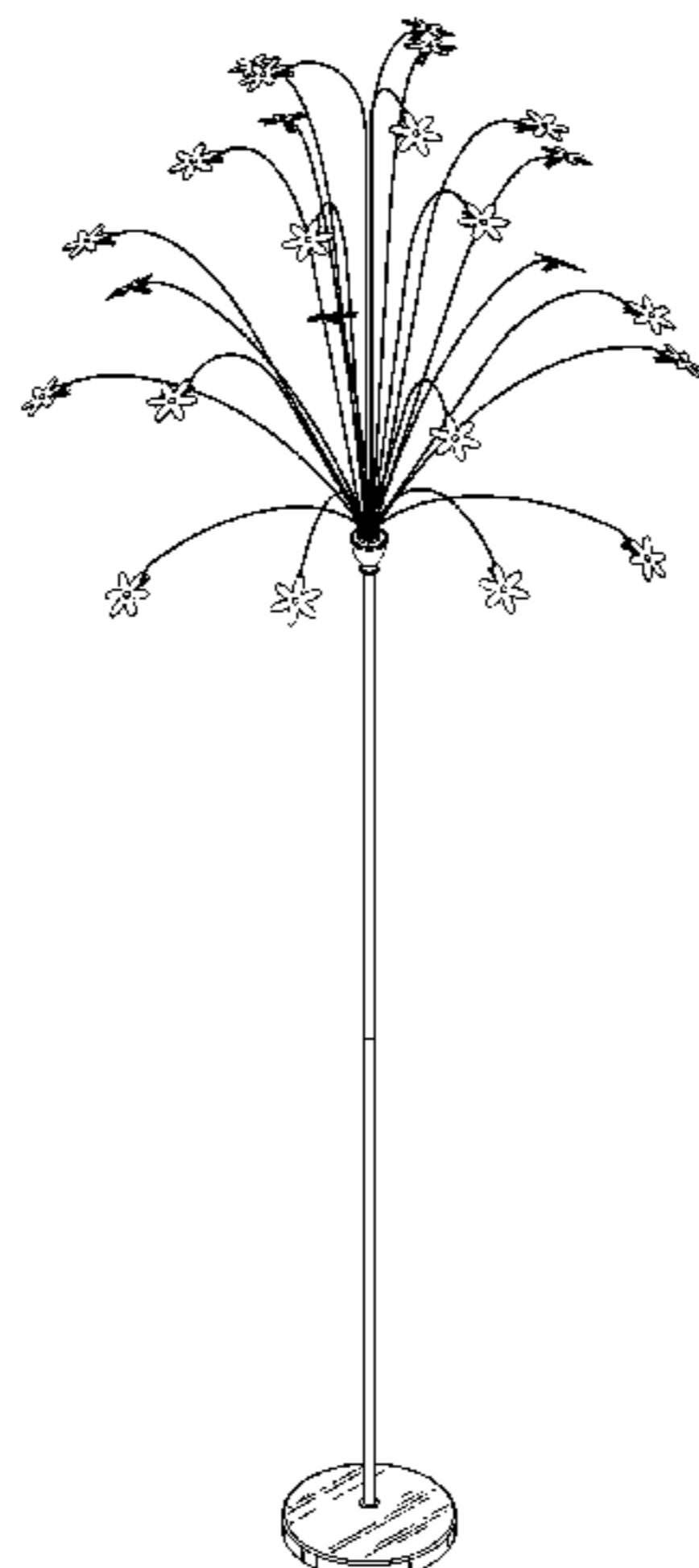
2,143,343	A	1/1939	Cooper
2,432,957	A	12/1947	Webster
2,994,156	A	8/1961	Steiner et al.
D227,848	S	7/1973	Schneider
4,319,731	A	3/1982	Pfeifer
D273,312	S	4/1984	Guertin
D277,584	S	2/1985	Annestedt
4,650,422	A	3/1987	Gorzynski
D331,429	S	12/1992	Matsumoto et al.
5,246,374	A	9/1993	Boodram
5,280,840	A	1/1994	Terpening
5,358,246	A	10/1994	Dziedzic
D364,652	S	11/1995	Santana
5,480,036	A	1/1996	Opar
D377,668	S	1/1997	Biram et al.
D378,159	S	2/1997	Mulkey
D444,633	S	7/2001	Henick
6,349,940	B1	2/2002	Nimry
D459,898	S	7/2002	Sanford
D460,273	S	7/2002	Henick
6,524,108	B2	2/2003	Murray
D474,616	S	5/2003	Henick
D474,899	S	5/2003	Henick
D479,772	S	9/2003	Henick

(Continued)

DESCRIPTION

FIG. 1 is a perspective view of the floral photograph holder; FIG. 2 is a front elevational view of the floral photograph holder; FIG. 3 is a rear elevational view of the floral photograph holder; FIG. 4 is a left elevational view of the floral photograph holder; FIG. 5 is a right elevational view of the floral photograph holder; FIG. 6 is a top plan view of the floral photograph holder; FIG. 7 is a bottom plan view of the floral photograph holder; FIG. 8 is a bottom perspective view of one of the individual petals of the floral photograph holder; and, FIG. 9 is a top perspective view of one of the individual petals of the floral photograph holder. The views shown in FIGS. 8 and 9 are identical for each of the petals in the claimed floral photograph holder of the present invention.

1 Claim, 7 Drawing Sheets



US D650,591 S

Page 2

U.S. PATENT DOCUMENTS

6,698,598	B1	3/2004	Appenteng
D497,904	S	11/2004	Dardashti
D502,223	S	2/2005	Kaplan et al.
6,854,609	B1	2/2005	Hettinger
D530,102	S	10/2006	Vincent
D586,129	S	2/2009	van der Lande
7,523,574	B2	4/2009	Henick et al.
7,788,836	B2	9/2010	Vincent

FOREIGN PATENT DOCUMENTS

GB	960760	6/1964
WO	9816440	4/1998

OTHER PUBLICATIONS

U.S. Appl. No. 29/381,782, filed Dec. 22, 2010, pending.

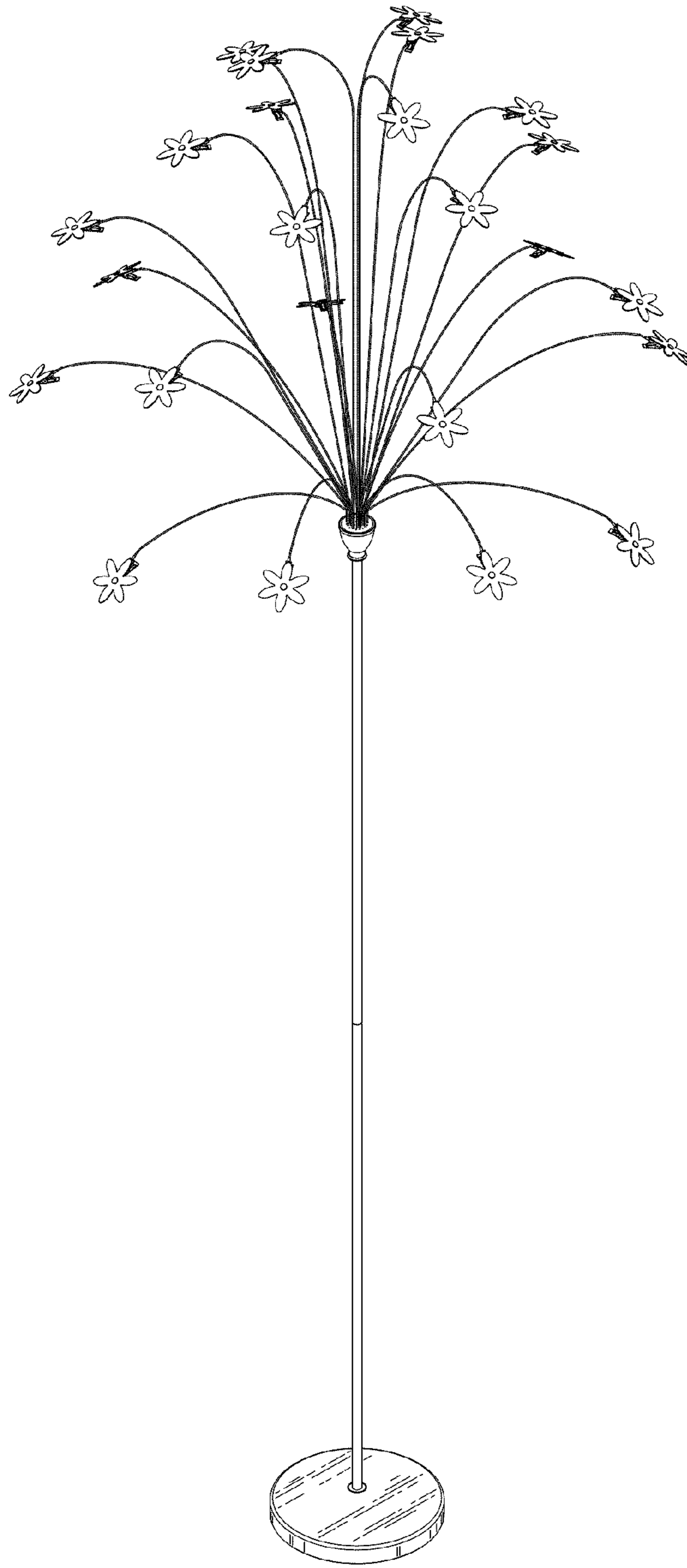


Fig. 1

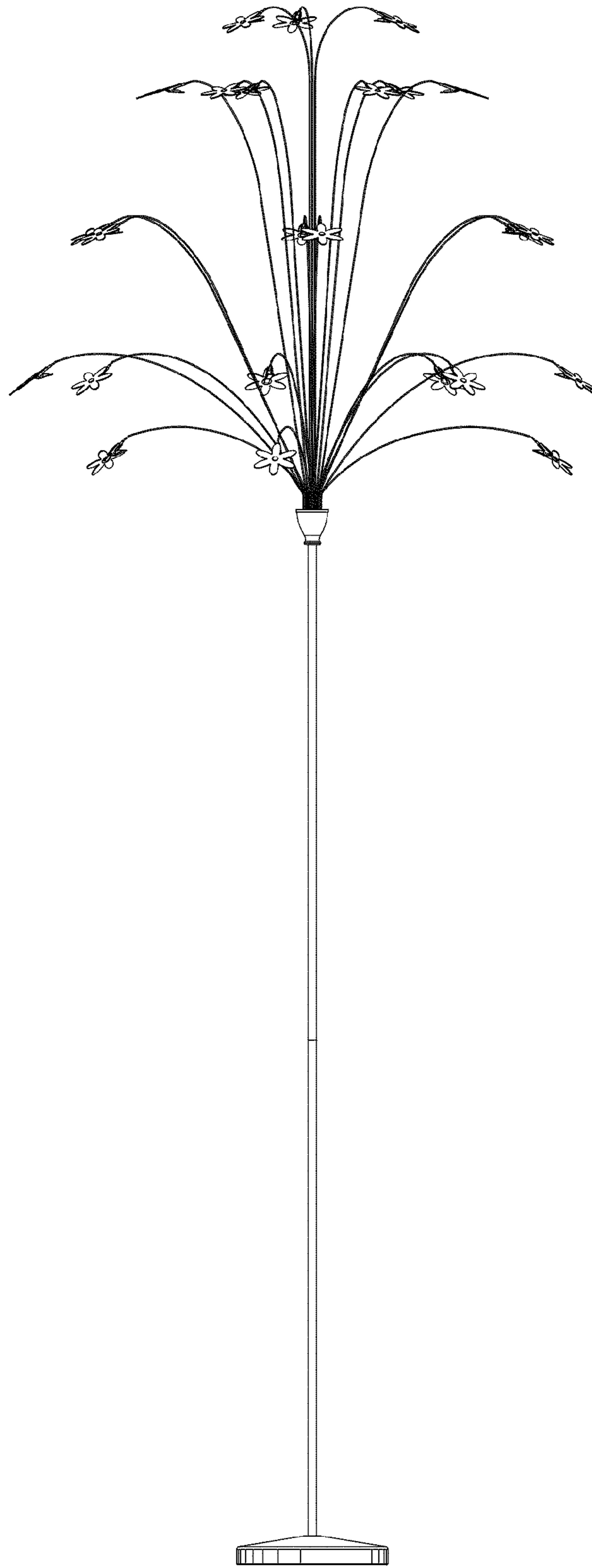


Fig. 2

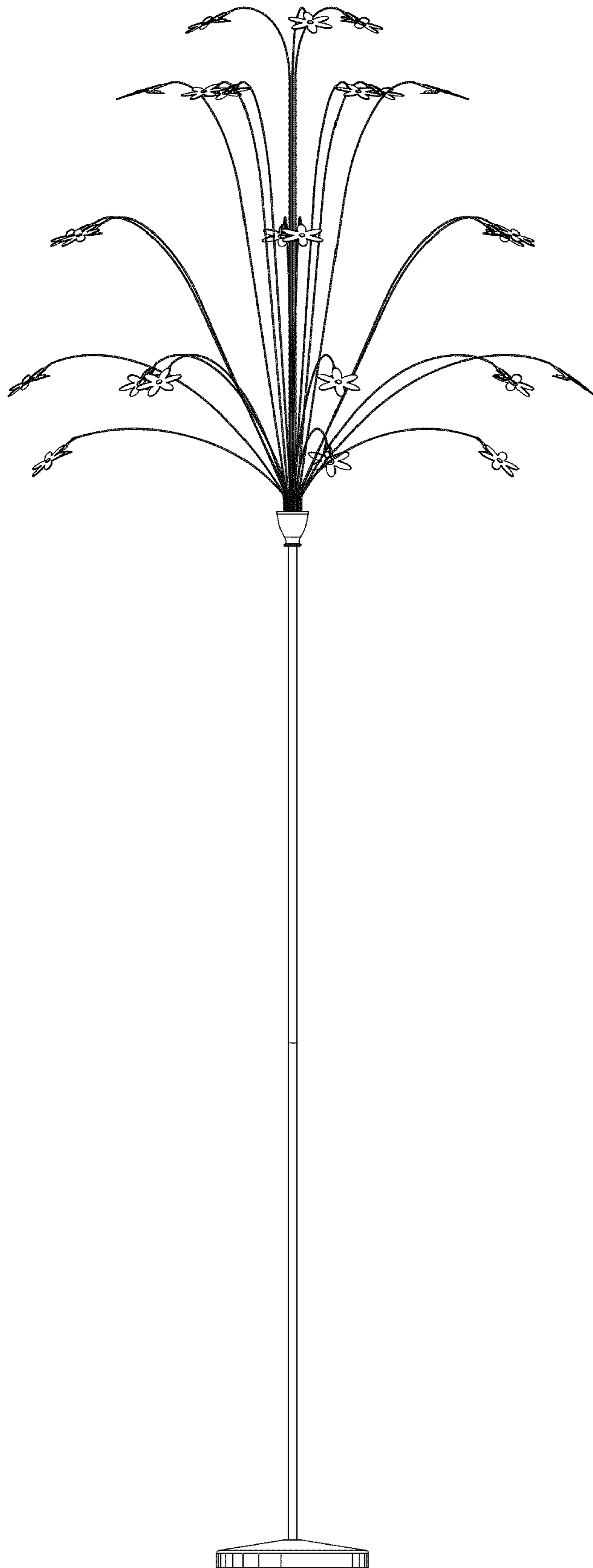


Fig. 3

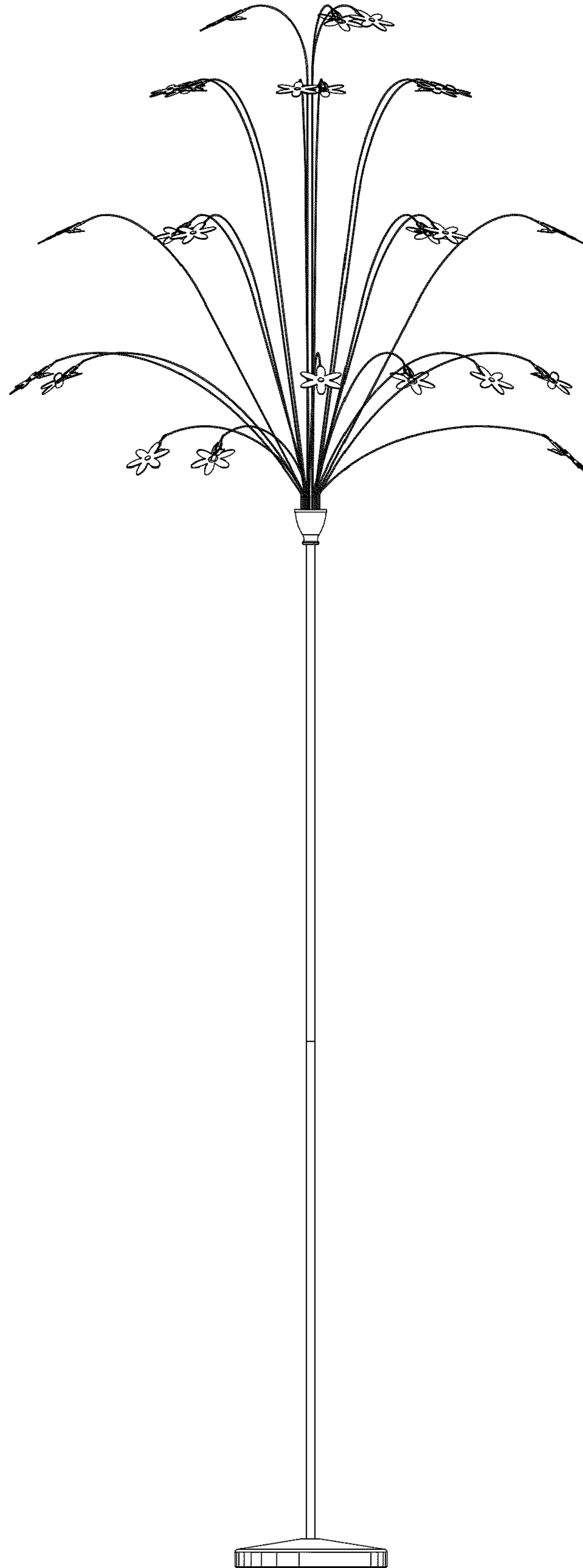


Fig. 4

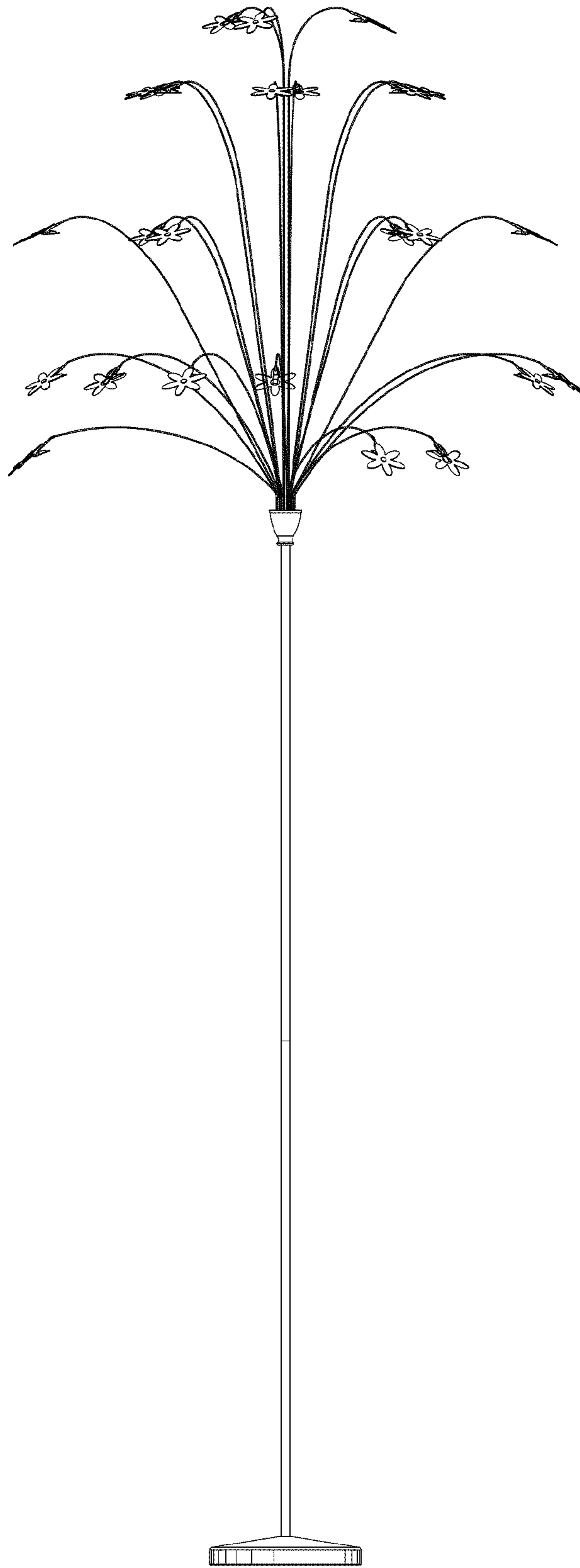


Fig. 5

Fig. 6

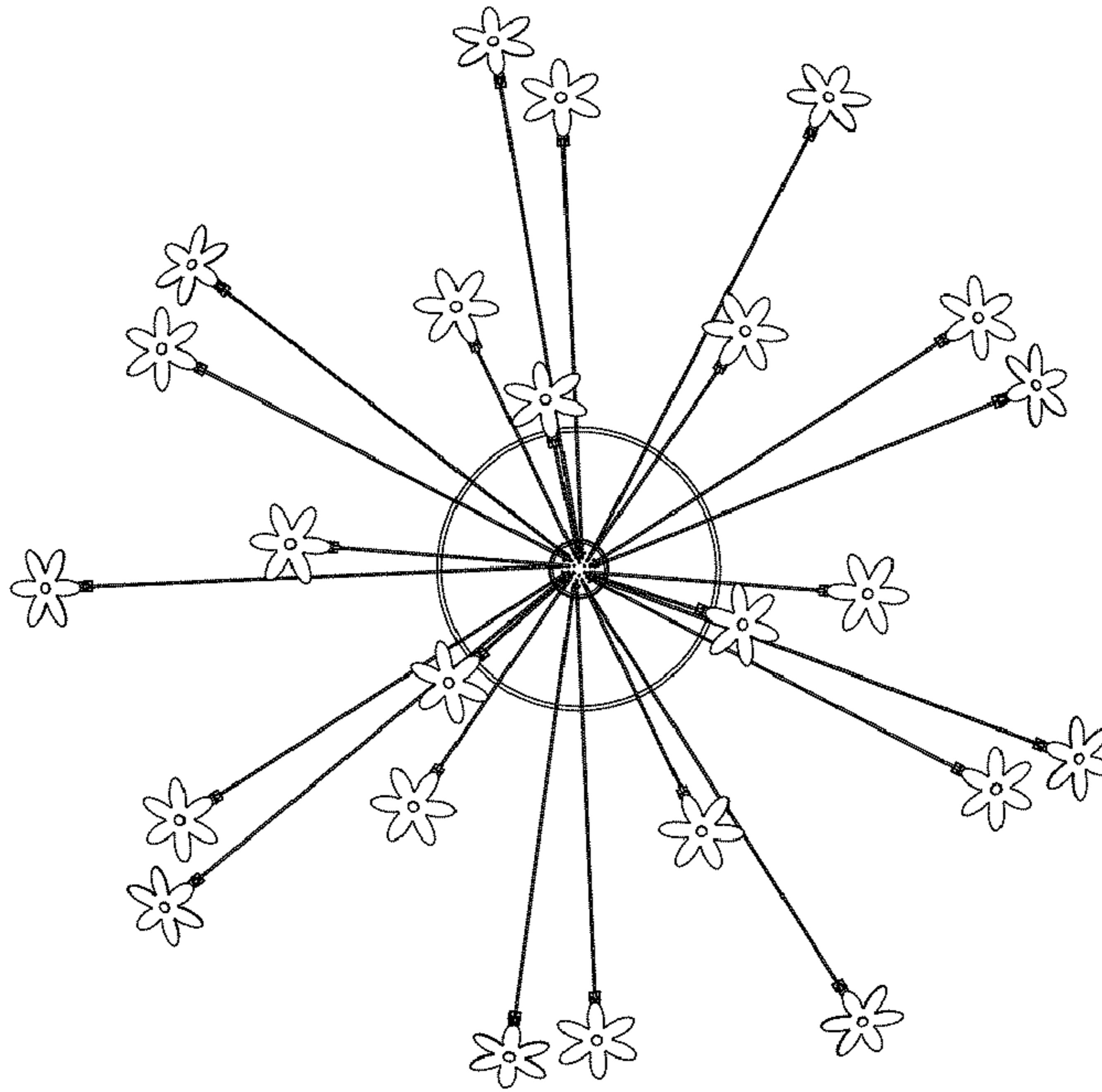


Fig. 7

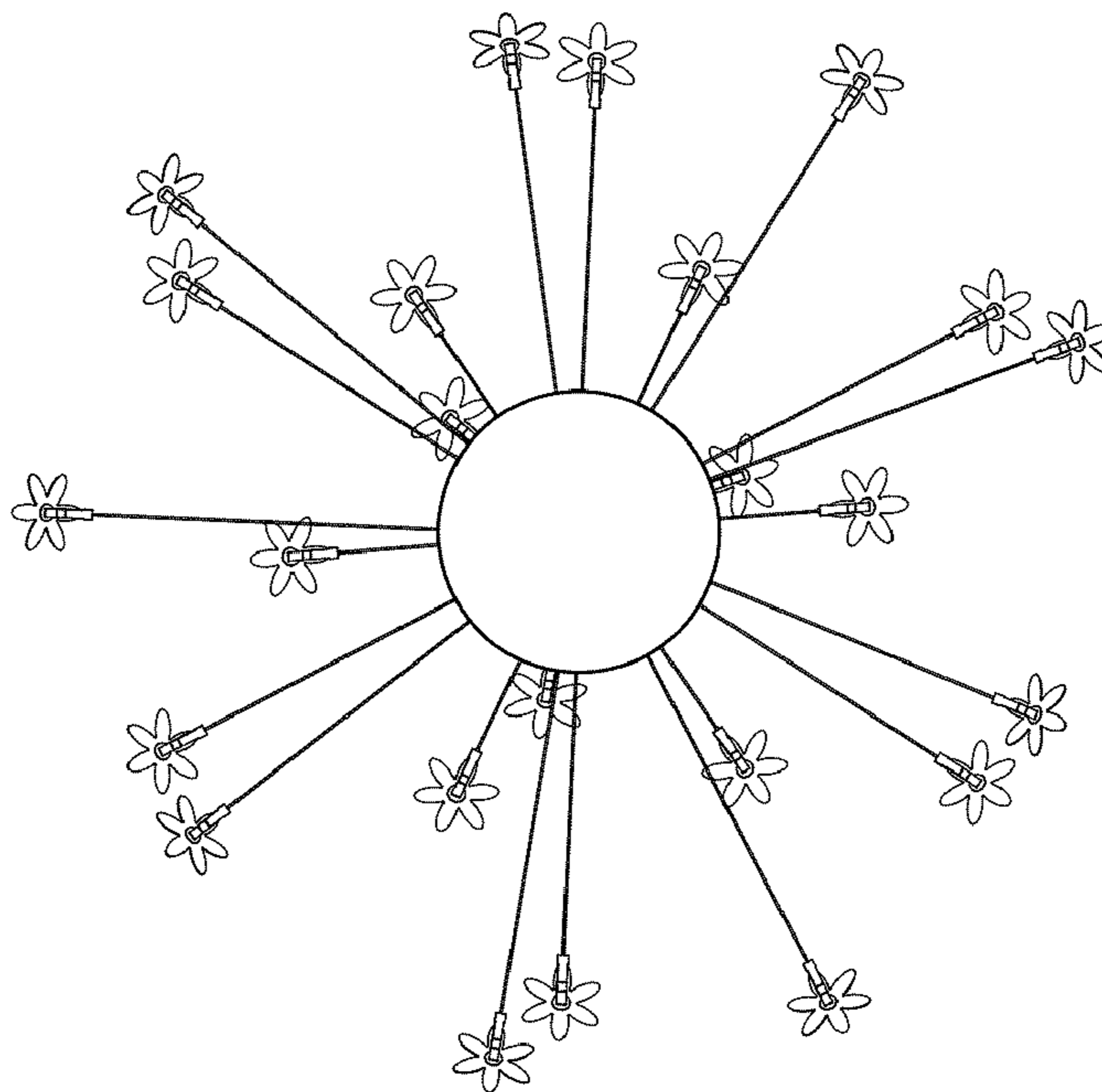


Fig. 8

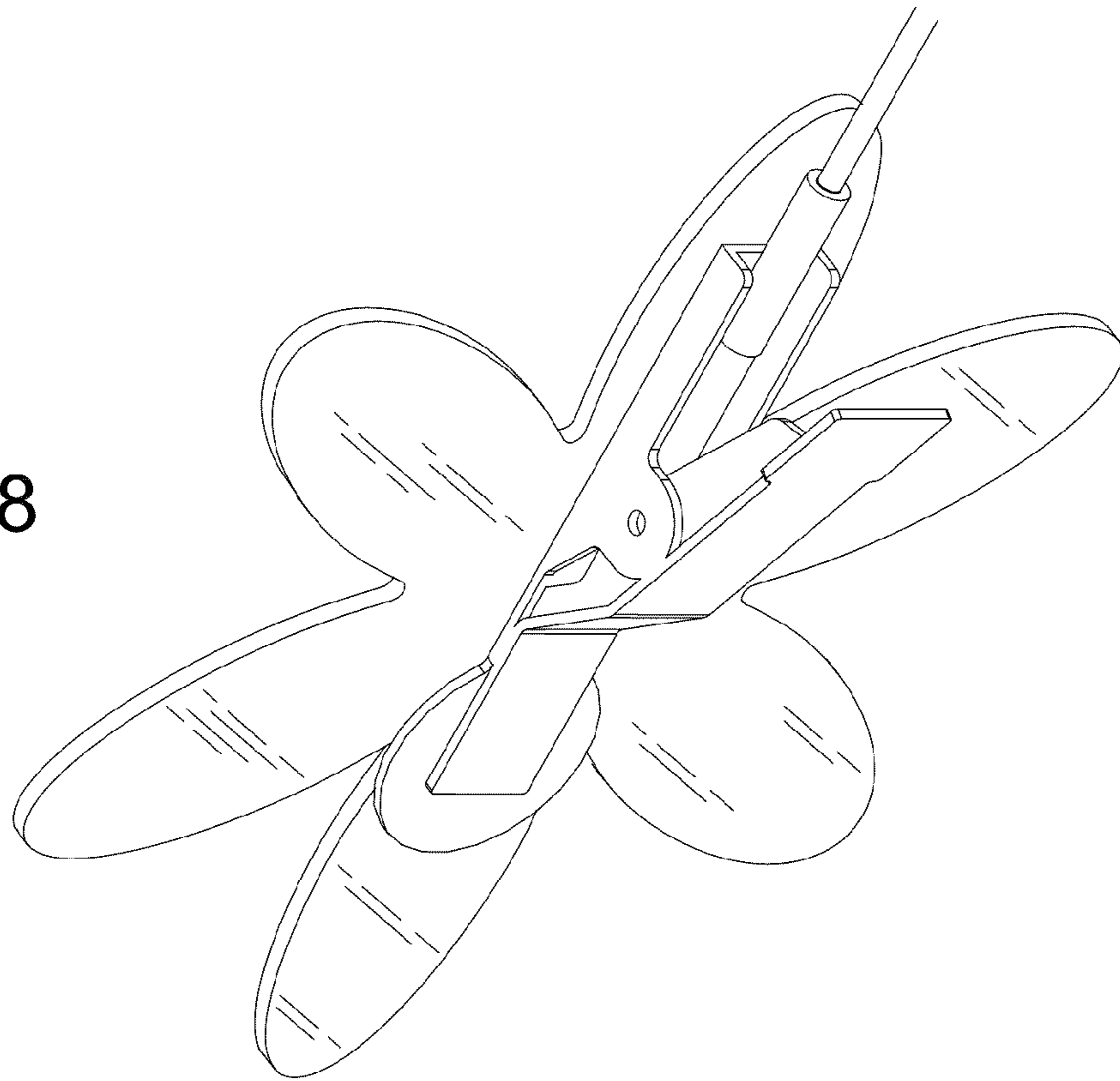


Fig. 9

