



US00D650585S

(12) **United States Design Patent**
Jamison et al.

(10) **Patent No.:** **US D650,585 S**

(45) **Date of Patent:** **** Dec. 20, 2011**

(54) **CASE**

(75) Inventors: **David S. Jamison**, Twinsburg, OH (US);
Jason C. Sauey, Chagrin Falls, OH (US)

(73) Assignee: **Flambeau, Inc.**, Baraboo, WI (US)

(**) Term: **14 Years**

(21) Appl. No.: **29/380,873**

(22) Filed: **Dec. 13, 2010**

(51) **LOC (9) Cl.** **03-01**

(52) **U.S. Cl.** **D3/294**

(58) **Field of Classification Search** D3/272,
D3/284, 394, 301-303; 206/503-507, 509-510,
206/514-515, 518, 499

See application file for complete search history.

(56) **References Cited**

U.S. PATENT DOCUMENTS

D278,189 S	4/1985	Frydenberg	
D314,669 S	2/1991	Kunimune	
D351,504 S	10/1994	Tarozzi	
5,394,966 A	3/1995	Chow	
D357,117 S	4/1995	Huang	
D368,371 S	4/1996	Calmeise	
D390,357 S	2/1998	Rosen	
D393,945 S	5/1998	Urvoy	
5,915,553 A	6/1999	Brown et al.	
D412,397 S	8/1999	Liu	
D413,202 S	8/1999	Schmitt et al.	
D413,440 S	9/1999	Schurman	
D417,781 S	12/1999	Stäheli	
D419,297 S	1/2000	Richardson et al.	
D419,768 S *	2/2000	Richardson et al.	D3/273
D428,699 S	8/2000	Gibson et al.	
D439,408 S	3/2001	Gibson et al.	

D481,868 S	11/2003	Cunningham et al.	
D489,530 S *	5/2004	Lindsay	D3/302
D543,030 S *	5/2007	Schafer	D3/272
D557,897 S	12/2007	Richardson et al.	
D572,479 S	7/2008	Buck et al.	
D622,061 S *	8/2010	Higginson	D3/302
2001/0011620 A1	8/2001	Tiramani et al.	
2006/0201958 A1	9/2006	Tieben et al.	

OTHER PUBLICATIONS

ArtBin Quick View Carry Case by Flambeau, as viewed on <http://art.artbin.com> on Jul. 6, 2010 (8 pages). Refer to arrow on pp. 1 and 5.

* cited by examiner

Primary Examiner — Holly Baynham

(74) *Attorney, Agent, or Firm* — Quarles & Brady LLP

(57) **CLAIM**

The ornamental design for a case, as shown and described.

DESCRIPTION

FIG. 1 is a right, top, front perspective view of a case according to our new design;

FIG. 2 is a top plan view thereof;

FIG. 3 is a front elevational view thereof;

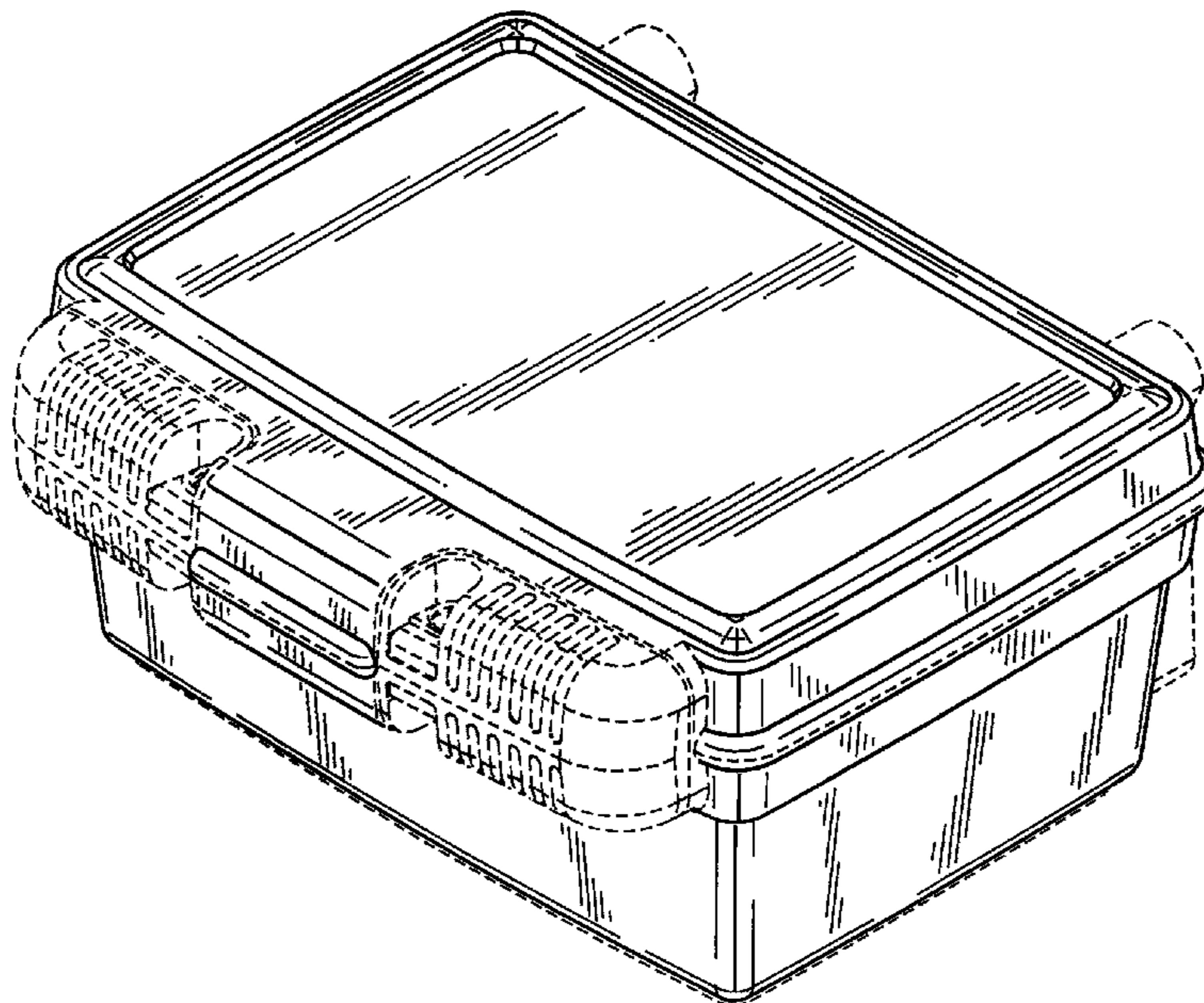
FIG. 4 is a right side elevational view thereof, the left side elevational view thereof being a mirror image of the right side shown;

FIG. 5 is a rear elevational view thereof; and,

FIG. 6 is a bottom plan view thereof.

The broken line representations in the figures illustrate features of the article to which the design is applied that form no part of the claimed design. And, the interior broken line in FIG. 6, which forms the inner bounds of the claimed design, forms no part thereof.

1 Claim, 6 Drawing Sheets



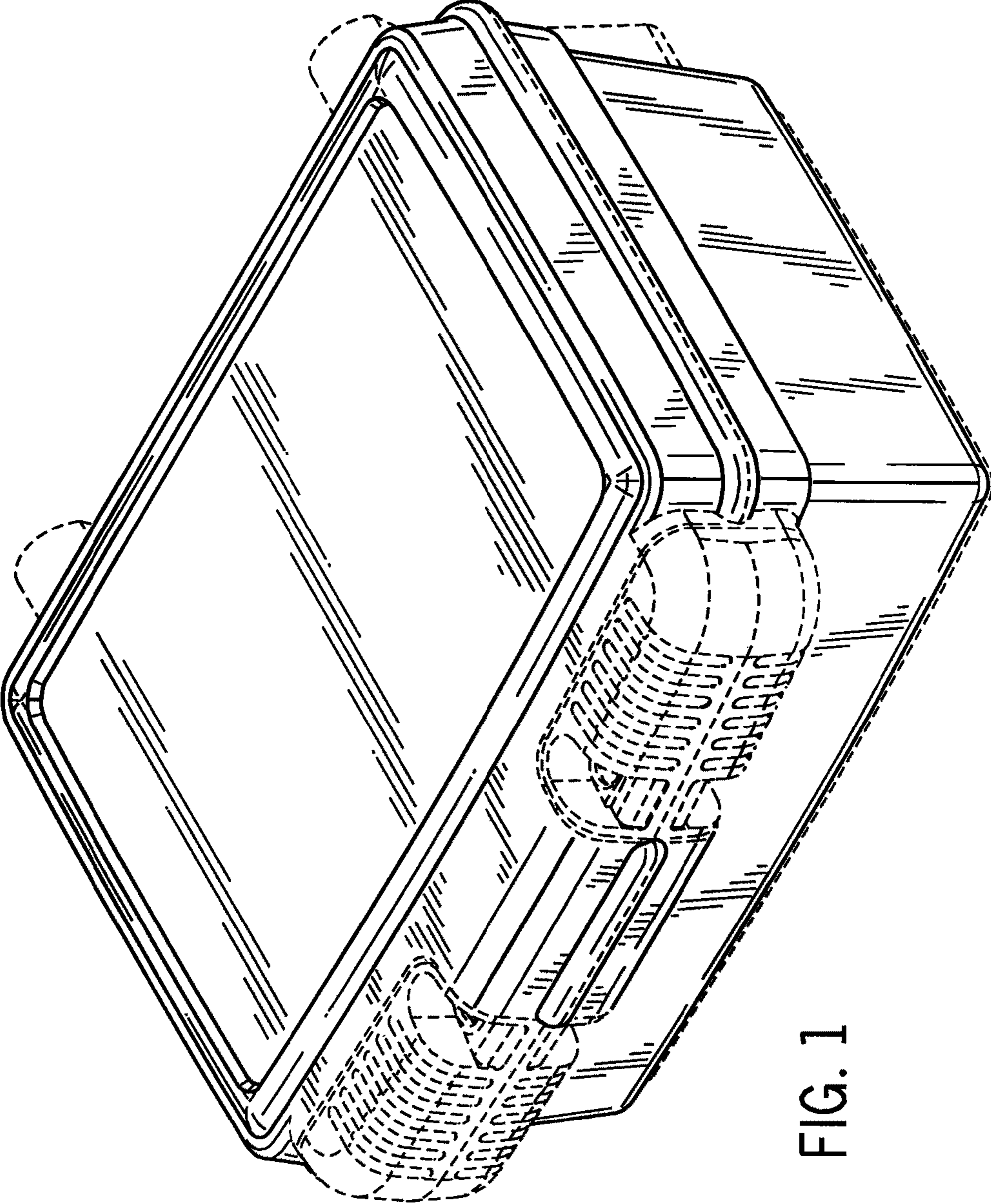


FIG. 1

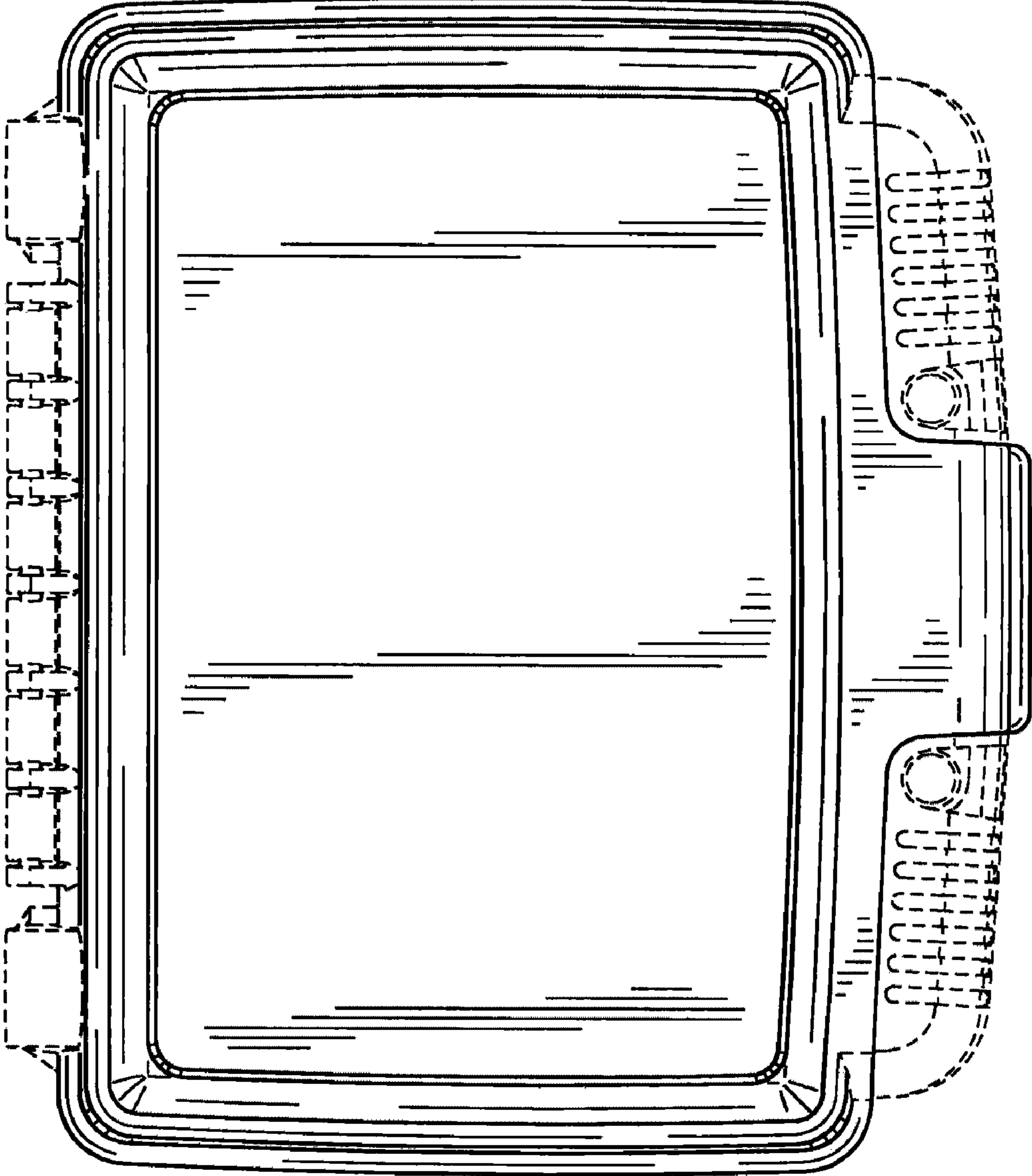


FIG. 2

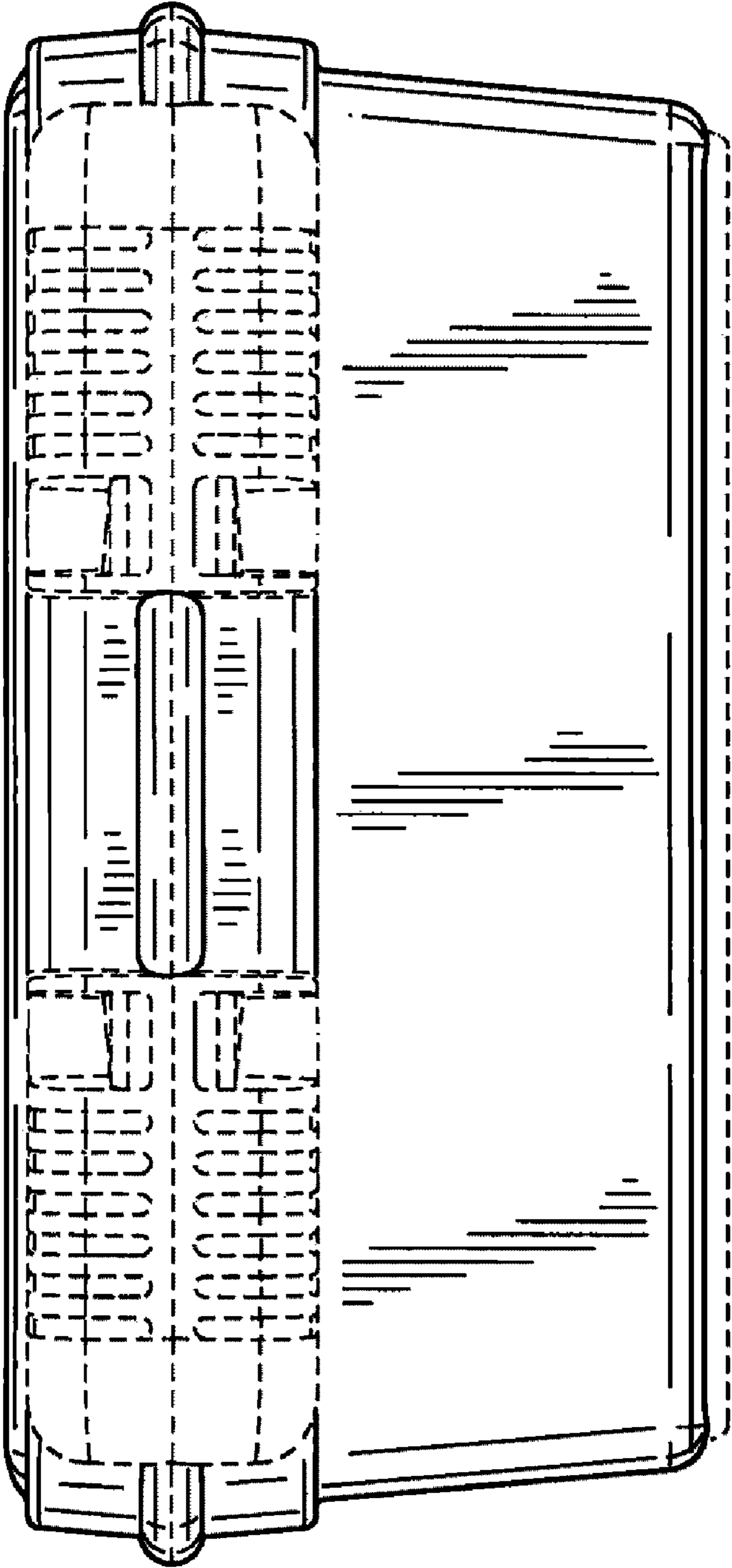


FIG. 3

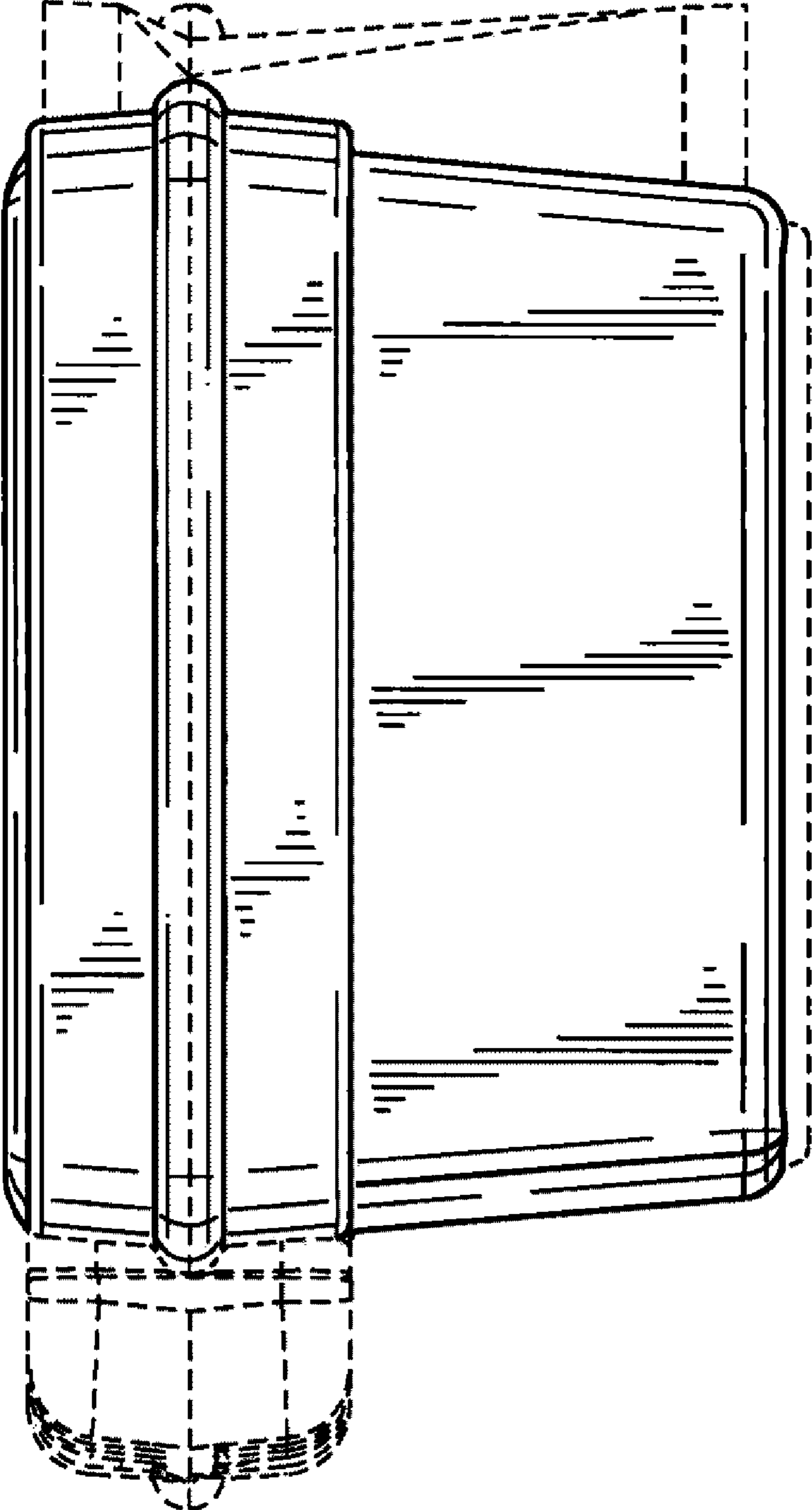


FIG. 4

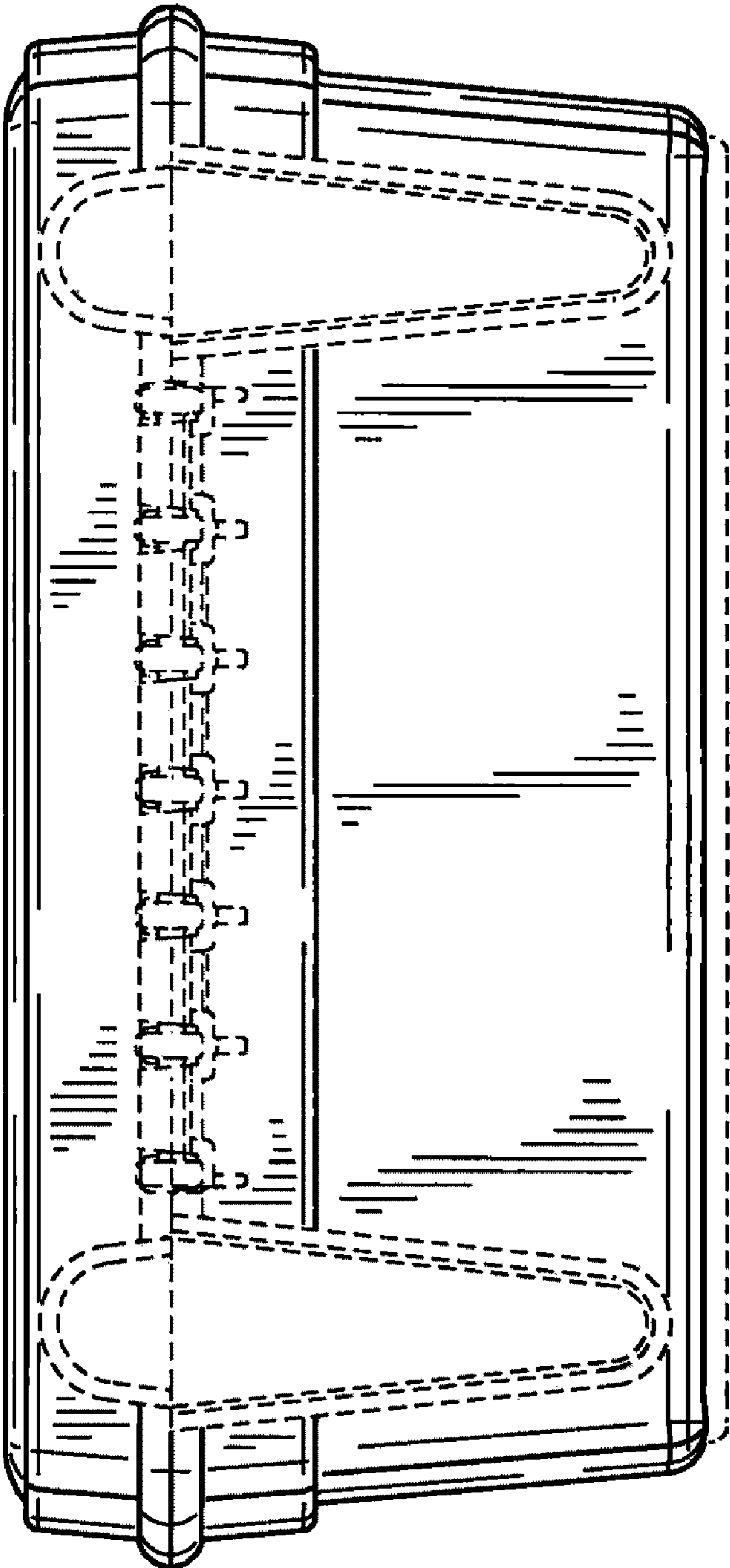


FIG. 5

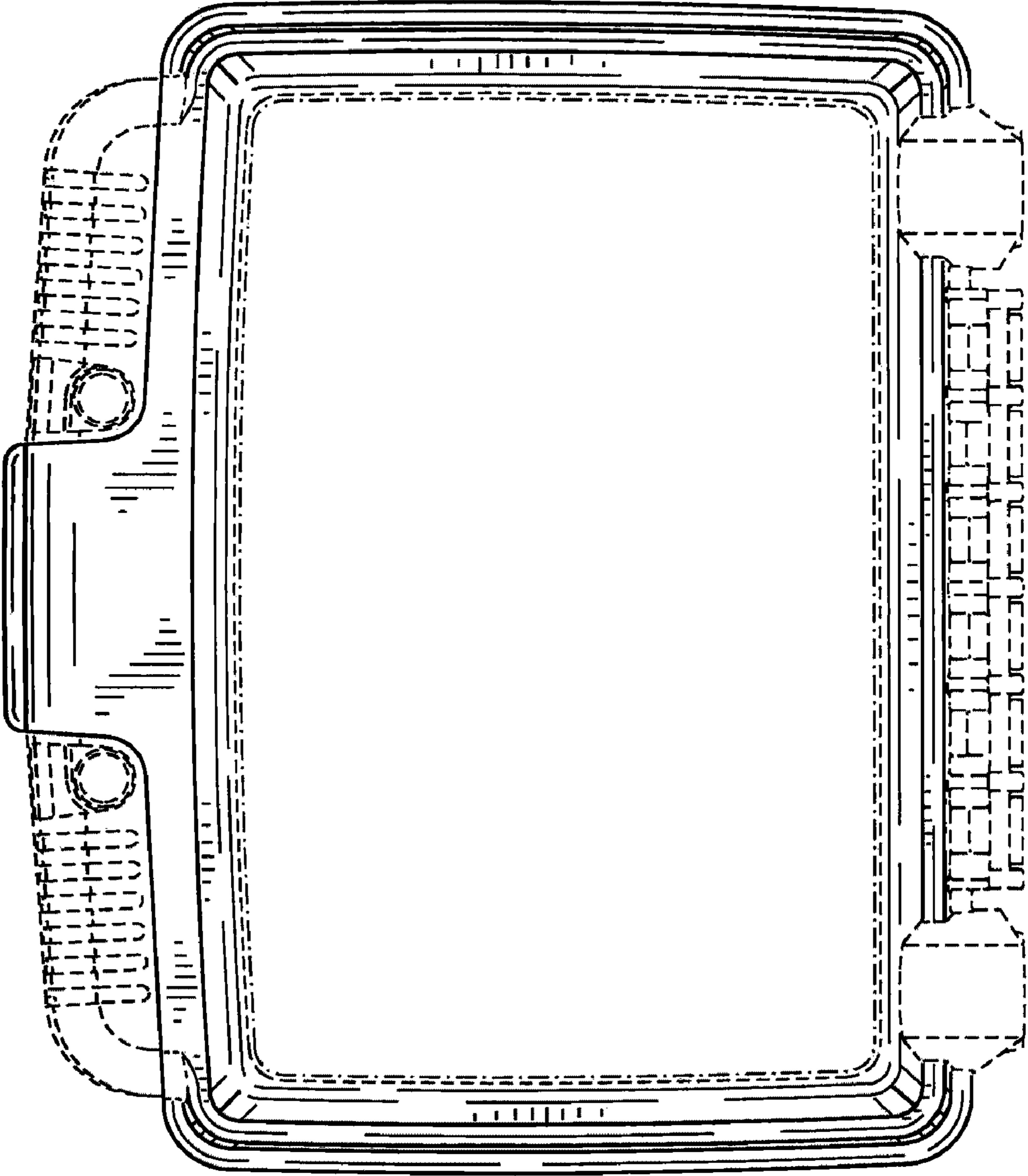


FIG. 6