



US00D650584S

(12) **United States Design Patent**
Kim

(10) **Patent No.:** **US D650,584 S**

(45) **Date of Patent:** **** Dec. 20, 2011**

(54) **RECEIPT BOX**

(75) Inventor: **Kwan Kil Kim**, Daegu (KR)

(73) Assignee: **Lock & Lock Co., Ltd.**, Asan (KR)

(**) Term: **14 Years**

(21) Appl. No.: **29/383,440**

(22) Filed: **Jan. 18, 2011**

(30) **Foreign Application Priority Data**

Jul. 19, 2010 (KR) 30-2010-0031623

(51) **LOC (9) Cl.** **03-01**

(52) **U.S. Cl.** **D3/289; D3/301**

(58) **Field of Classification Search** D3/272,
D3/273, 276, 283-289, 301; 206/278; 190/19,
190/24, 109, 115, 124-127, 903, 107; D7/607;
220/9.2-9.4; 383/97

See application file for complete search history.

(56) **References Cited**

U.S. PATENT DOCUMENTS

D273,533	S	*	4/1984	Weinreb	D3/268
5,011,008	A	*	4/1991	Baker	206/242
5,904,230	A	*	5/1999	Peterson	190/107
D437,483	S	*	2/2001	Bisbal et al.	D3/276
D452,075	S	*	12/2001	Mogil	D3/301
D465,649	S	*	11/2002	Sharples	D3/279
D496,530	S	*	9/2004	Wolf	D3/273
D506,645	S	*	6/2005	Bellofatto et al.	D7/607

D514,317	S	*	2/2006	Conforti	D3/285
7,044,277	B2	*	5/2006	Redzisz	190/107
7,143,932	B2	*	12/2006	Wang	220/495.1
7,152,737	B2	*	12/2006	Chin	206/494
D573,793	S	*	7/2008	Bakker	D3/301
D575,059	S	*	8/2008	Cappiello et al.	D3/283
D577,196	S	*	9/2008	Hayden	D3/286
D582,676	S	*	12/2008	Rothschild	D3/302
7,534,041	B2	*	5/2009	Godshaw et al.	383/121
D598,194	S	*	8/2009	Turvey et al.	D3/289
D599,550	S	*	9/2009	Turvey et al.	D3/289
D602,253	S	*	10/2009	Rees et al.	D3/289
D608,095	S	*	1/2010	Turvey et al.	D3/289
D612,605	S	*	3/2010	Turvey et al.	D3/289
7,815,024	B1	*	10/2010	Quimpo et al.	190/107
2005/0150807	A1	*	7/2005	Siwak et al.	206/542

* cited by examiner

Primary Examiner — Jennifer Rivard

(57) **CLAIM**

The ornamental design for the receipt box, as shown and described.

DESCRIPTION

FIG. 1 is a perspective view of the receipt box according to an embodiment of my design;

FIG. 2 is a front view thereof;

FIG. 3 is a rear view thereof;

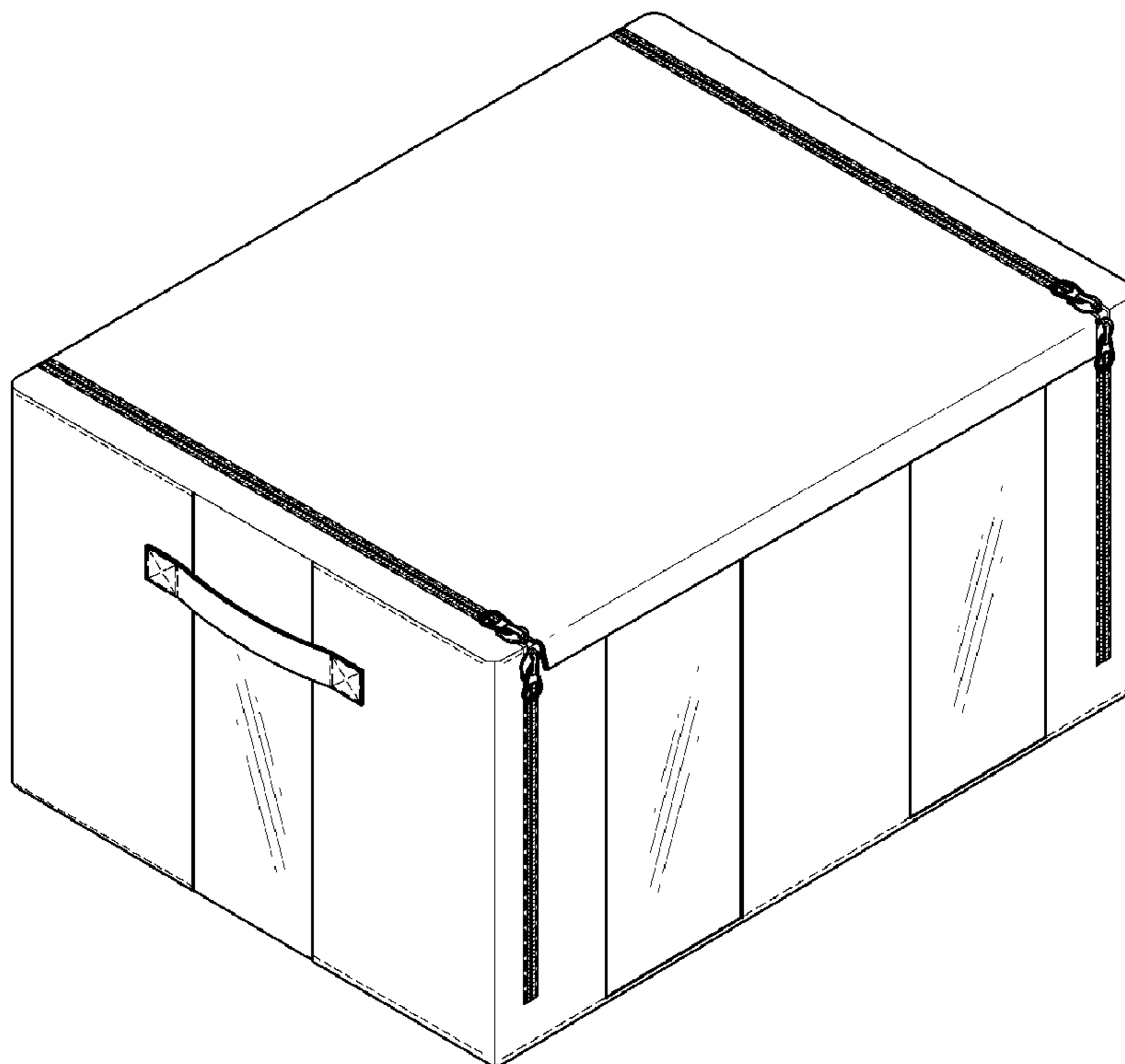
FIG. 4 is a left side view thereof;

FIG. 5 is a right side view thereof;

FIG. 6 is a top plan view thereof; and,

FIG. 7 is a bottom plan view thereof.

1 Claim, 4 Drawing Sheets



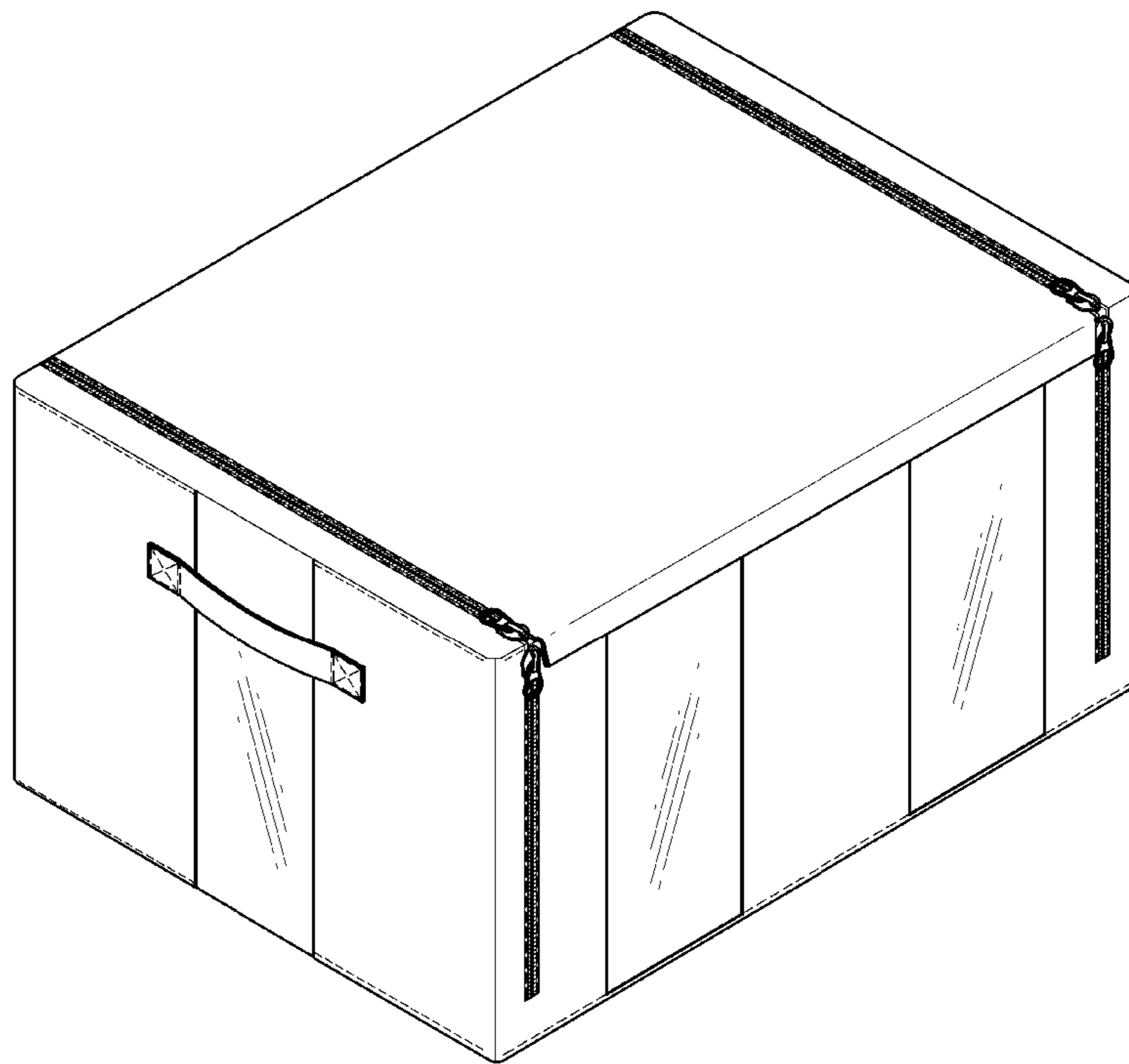


Fig. 1

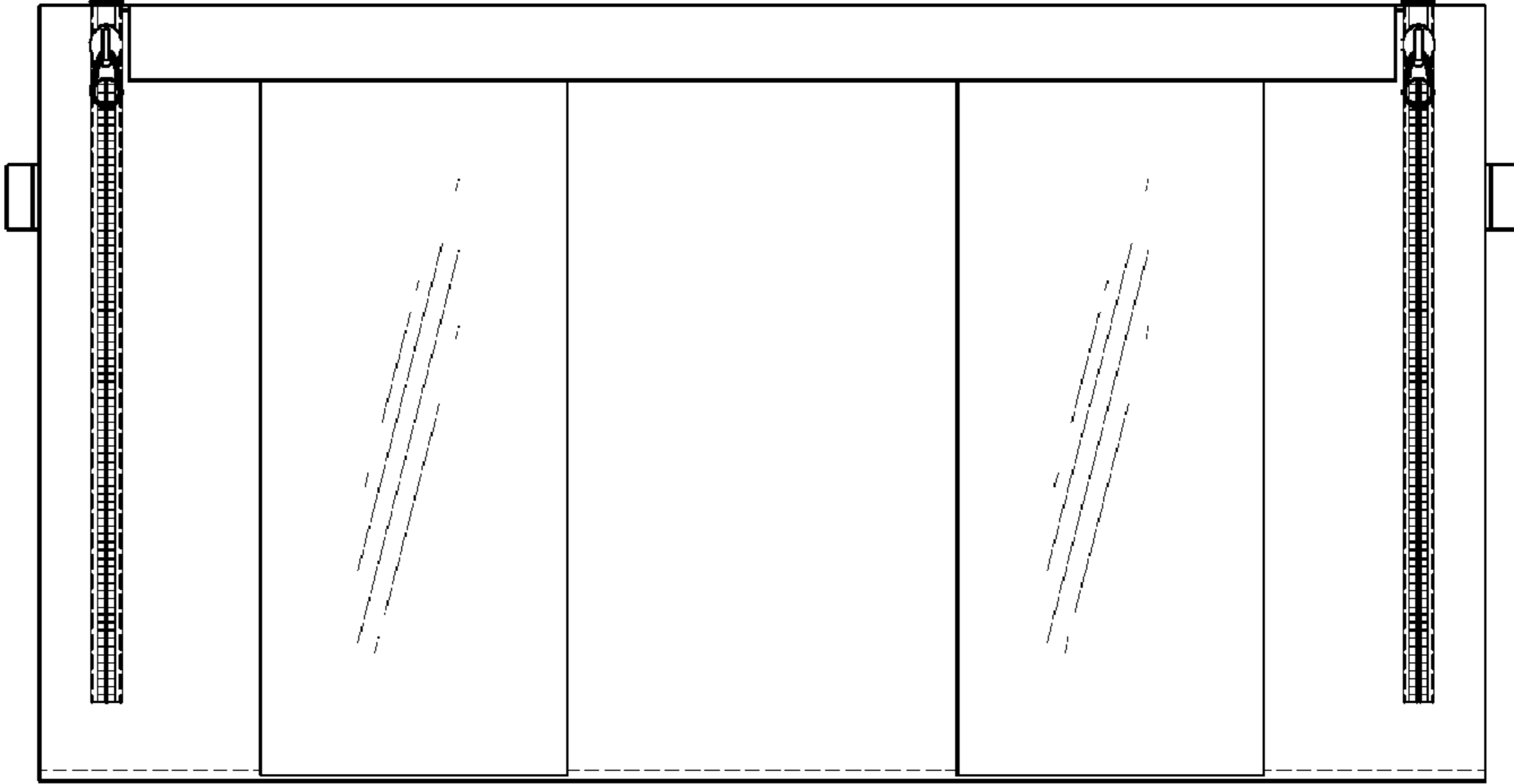


Fig. 2



Fig. 3

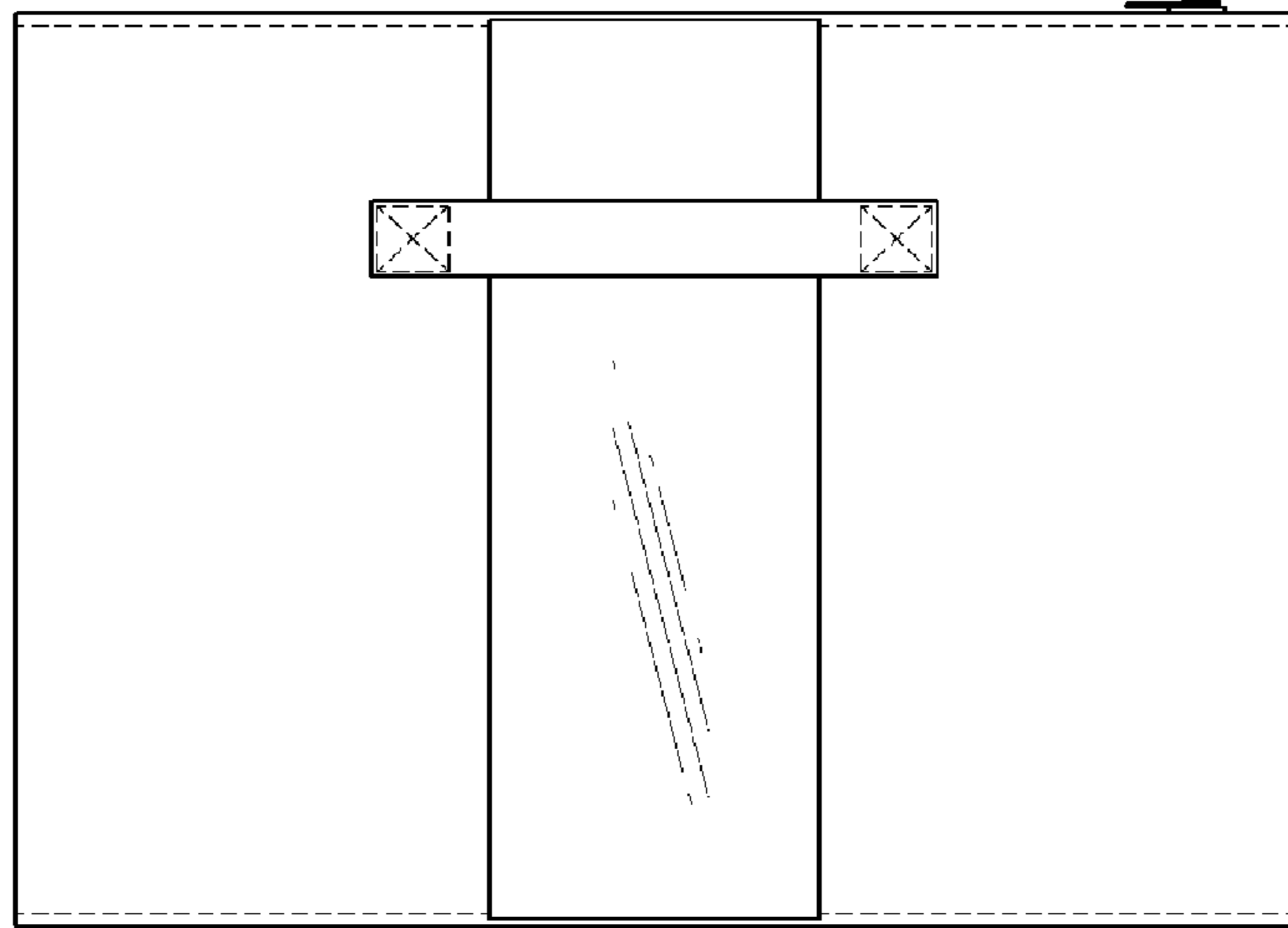


Fig. 4

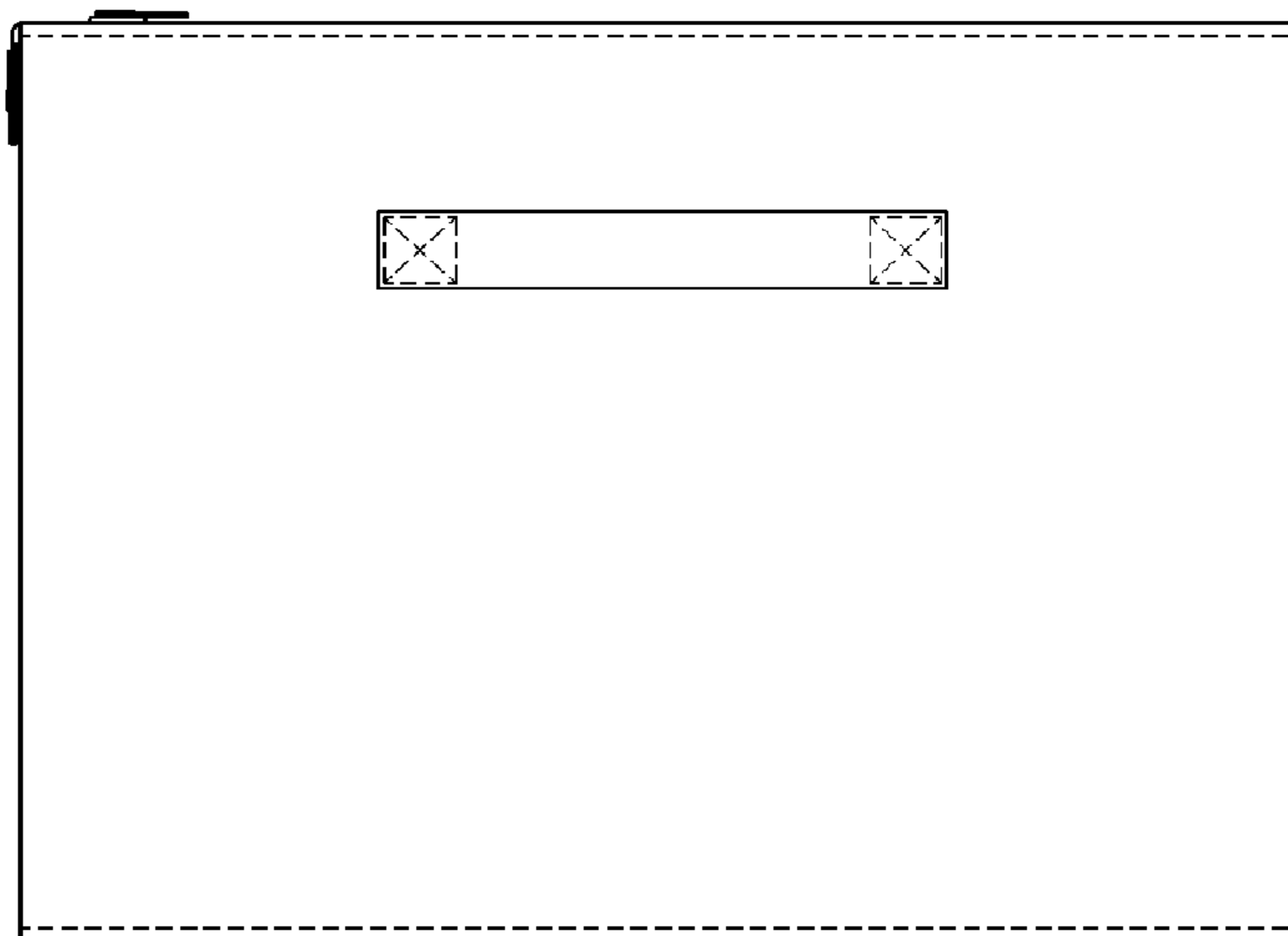


Fig. 5

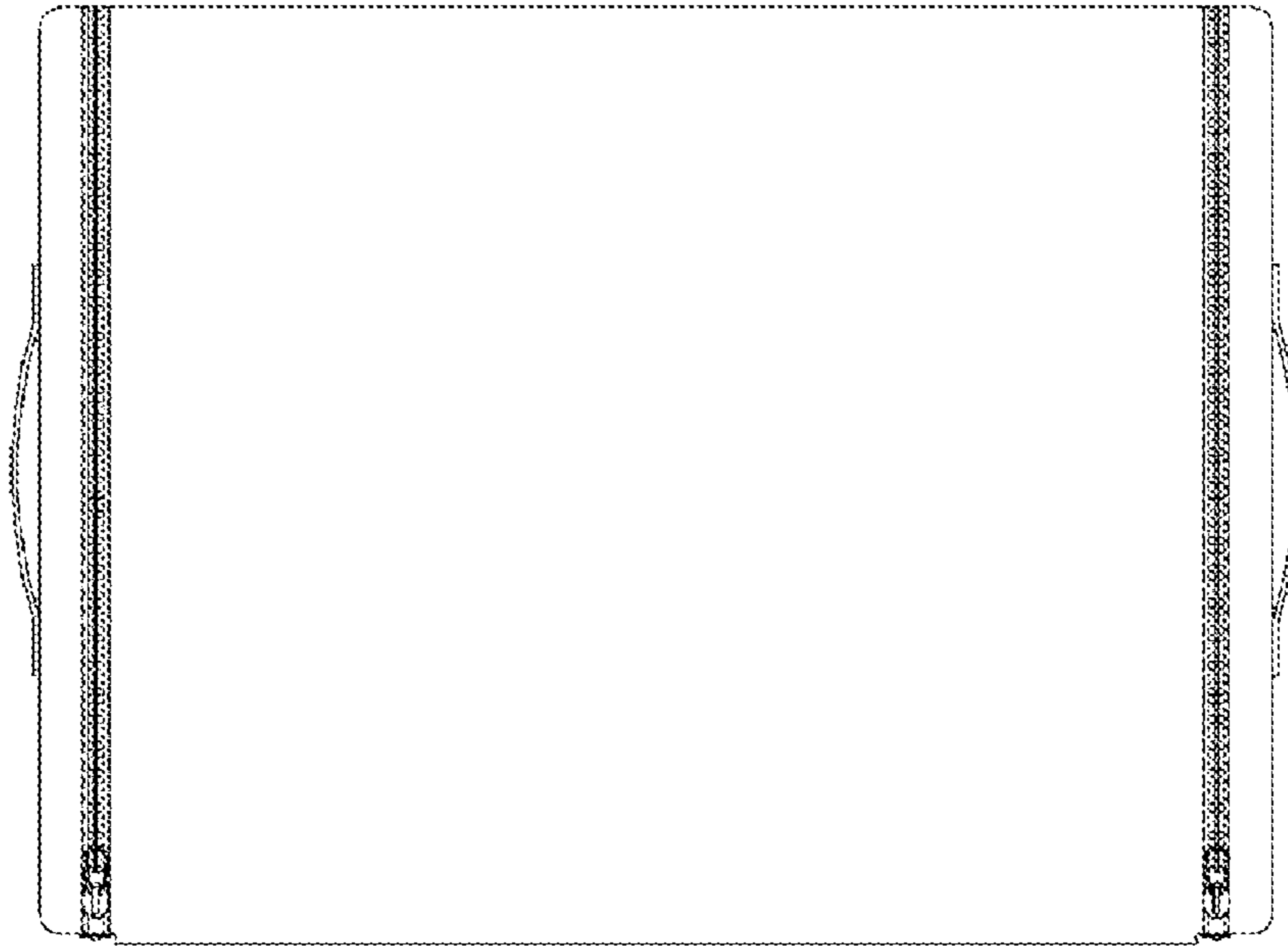


Fig. 6

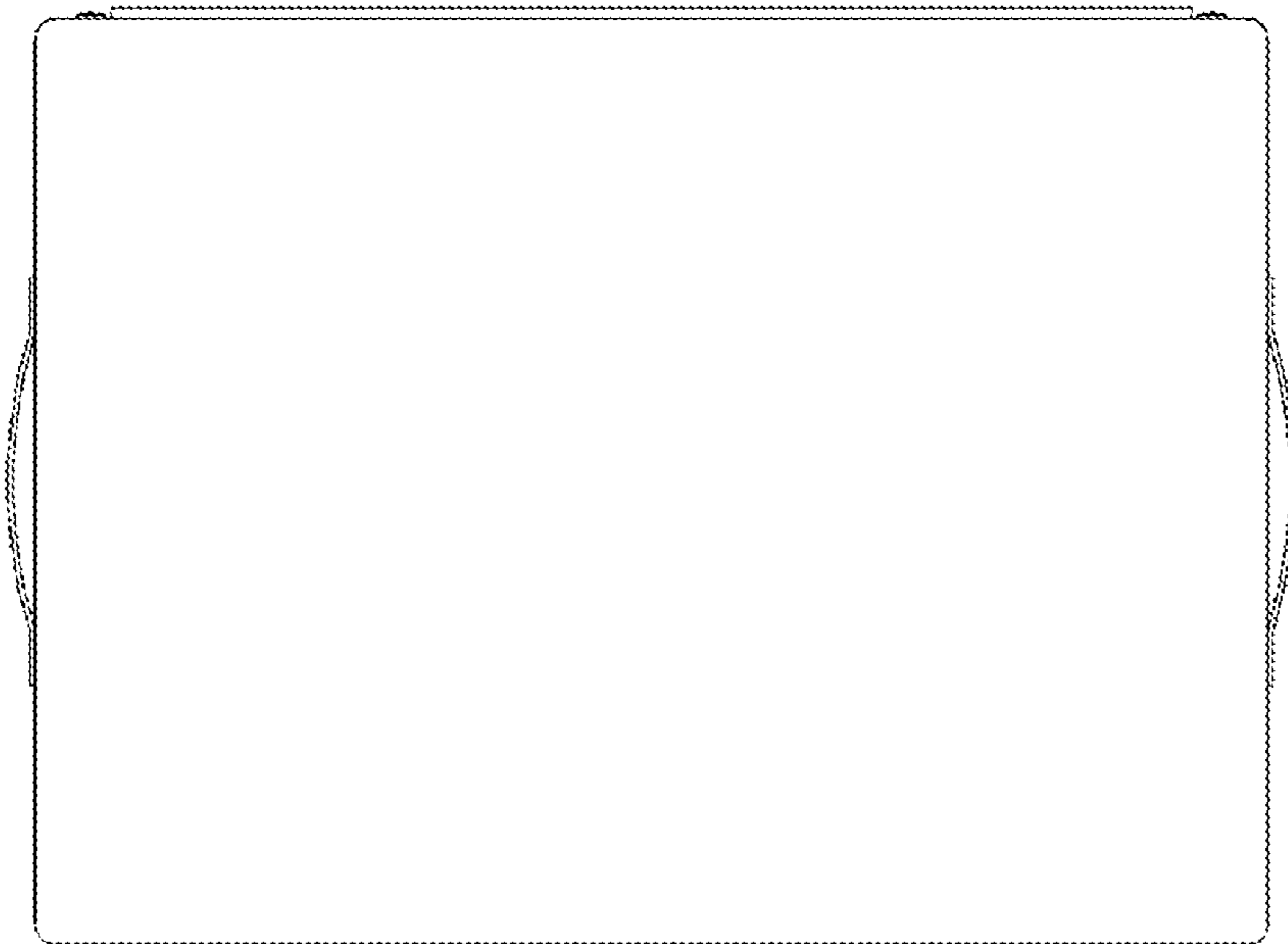


Fig. 7