



US00D650582S

(12) **United States Design Patent**  
**Jamtlid**

(10) **Patent No.:** **US D650,582 S**

(45) **Date of Patent:** **\*\* Dec. 20, 2011**

(54) **BOX**  
(76) Inventor: **Martin Jamtlid**, Cresskill, NJ (US)  
(\*\*) Term: **14 Years**

(21) Appl. No.: **29/380,095**

(22) Filed: **Nov. 30, 2010**

(51) **LOC (9) Cl.** ..... **03-01**

(52) **U.S. Cl.** ..... **D3/271.1; D9/629**

(58) **Field of Classification Search** ..... D3/271.1,  
D3/901, 903, 270, 273, 302; D28/79; 206/6.1,  
206/19, 457; D9/629

See application file for complete search history.

(56) **References Cited**

**U.S. PATENT DOCUMENTS**

D143,554 S *	1/1946	Schick	.....	D28/79
D210,689 S *	4/1968	Rhoades	.....	D28/79
D259,153 S *	5/1981	Valente	.....	D3/270
D259,886 S *	7/1981	Yates	.....	D19/97
D327,574 S *	7/1992	Hoff	.....	D3/270
6,247,584 B1 *	6/2001	Au	.....	206/6.1
D508,166 S *	8/2005	Liu	.....	D3/271.1
D525,429 S *	7/2006	Lalwani	.....	D3/271.1
D530,086 S *	10/2006	Lalwani	.....	D3/271.1

D557,896 S *	12/2007	Duchaine	.....	D3/271.1
D569,618 S *	5/2008	Kirk	.....	D3/291
D590,594 S *	4/2009	Nathanson	.....	D3/271.1

\* cited by examiner

*Primary Examiner* — Jennifer Rivard

(74) *Attorney, Agent, or Firm* — QuickPatents, Inc.; Kevin Prince

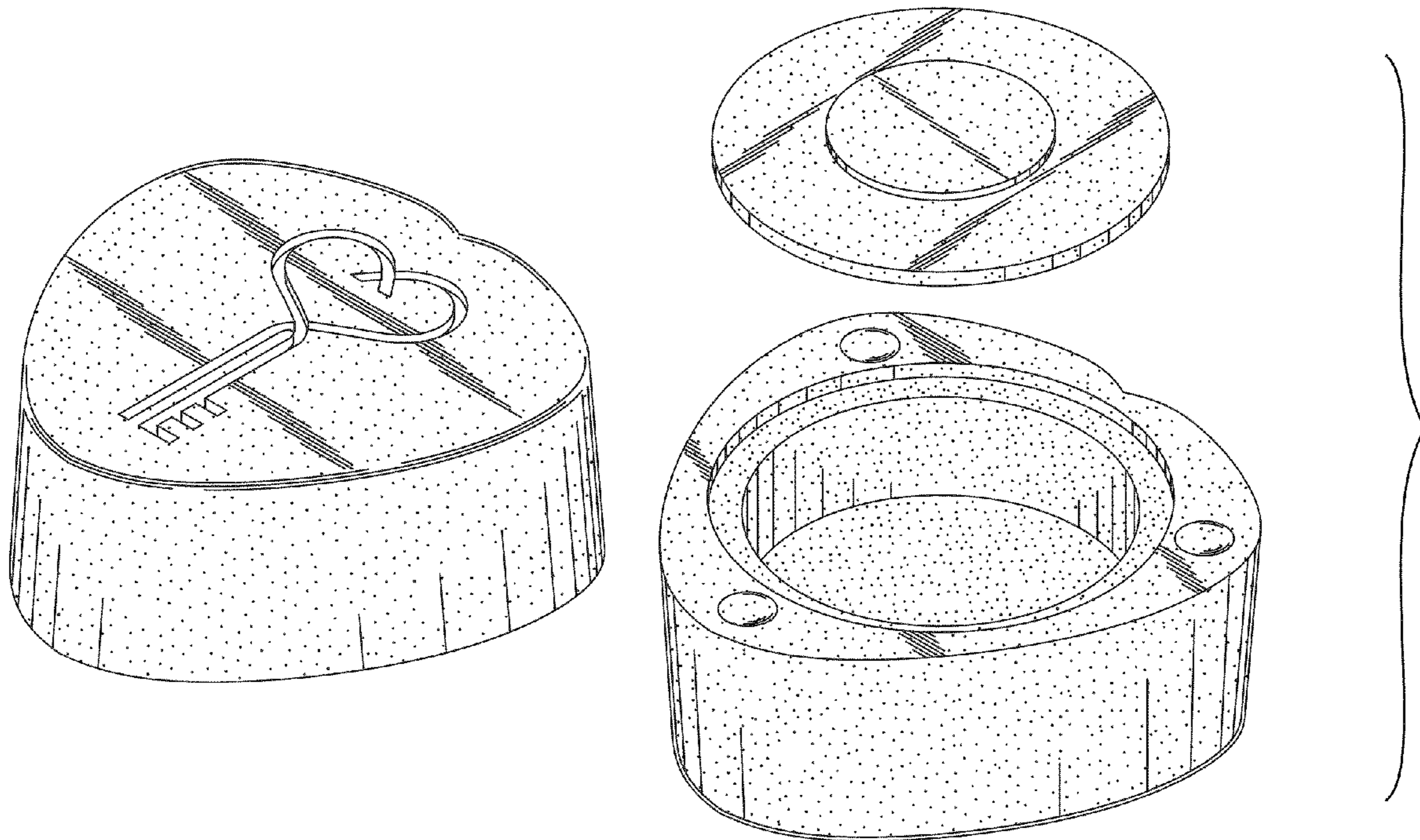
(57) **CLAIM**

I claim the ornamental design for a box, as shown and described.

**DESCRIPTION**

FIG. 1 is a top perspective view of a box, showing the new design;  
FIG. 2 is an exploded bottom perspective view thereof;  
FIG. 3 is a bottom perspective view of FIG. 1;  
FIG. 4 is a top plan view thereof;  
FIG. 5 is a bottom plan view thereof;  
FIG. 6 is a front elevational view thereof;  
FIG. 7 is a rear elevational view thereof; and,  
FIG. 8 is a left-side elevational view thereof, the right-side elevational view being a mirror image thereof.

**1 Claim, 3 Drawing Sheets**



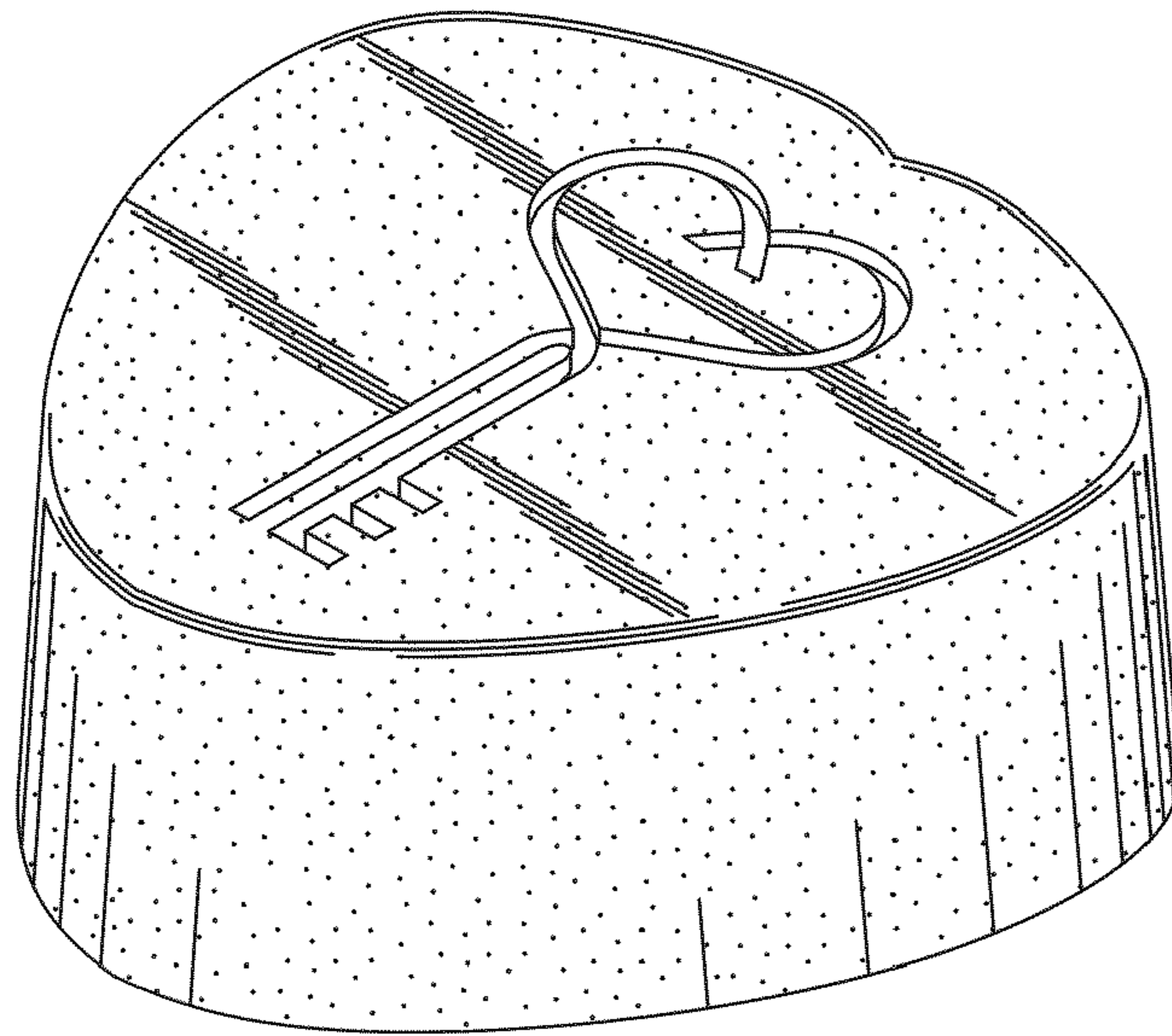


FIG. 1

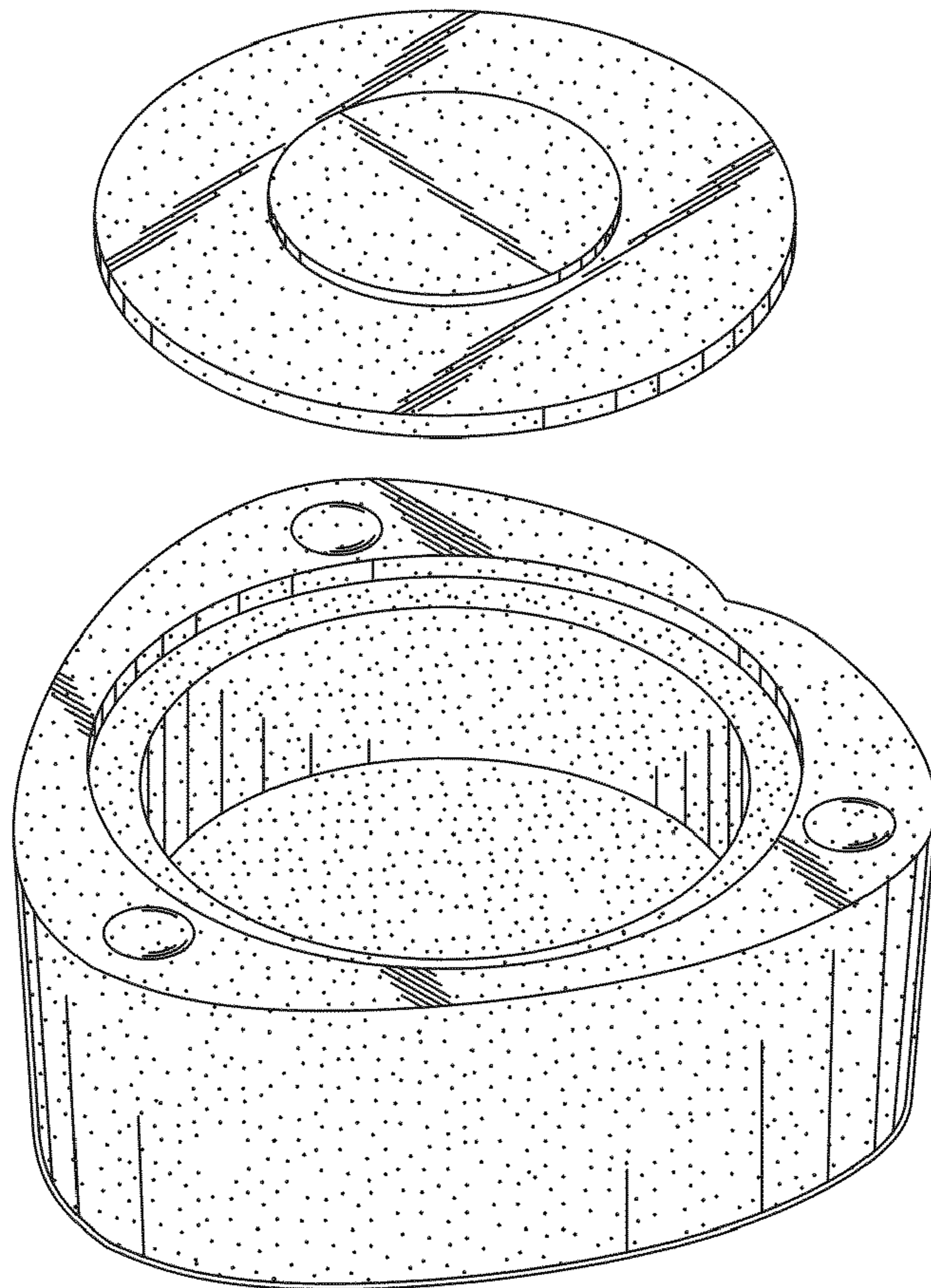


FIG. 2

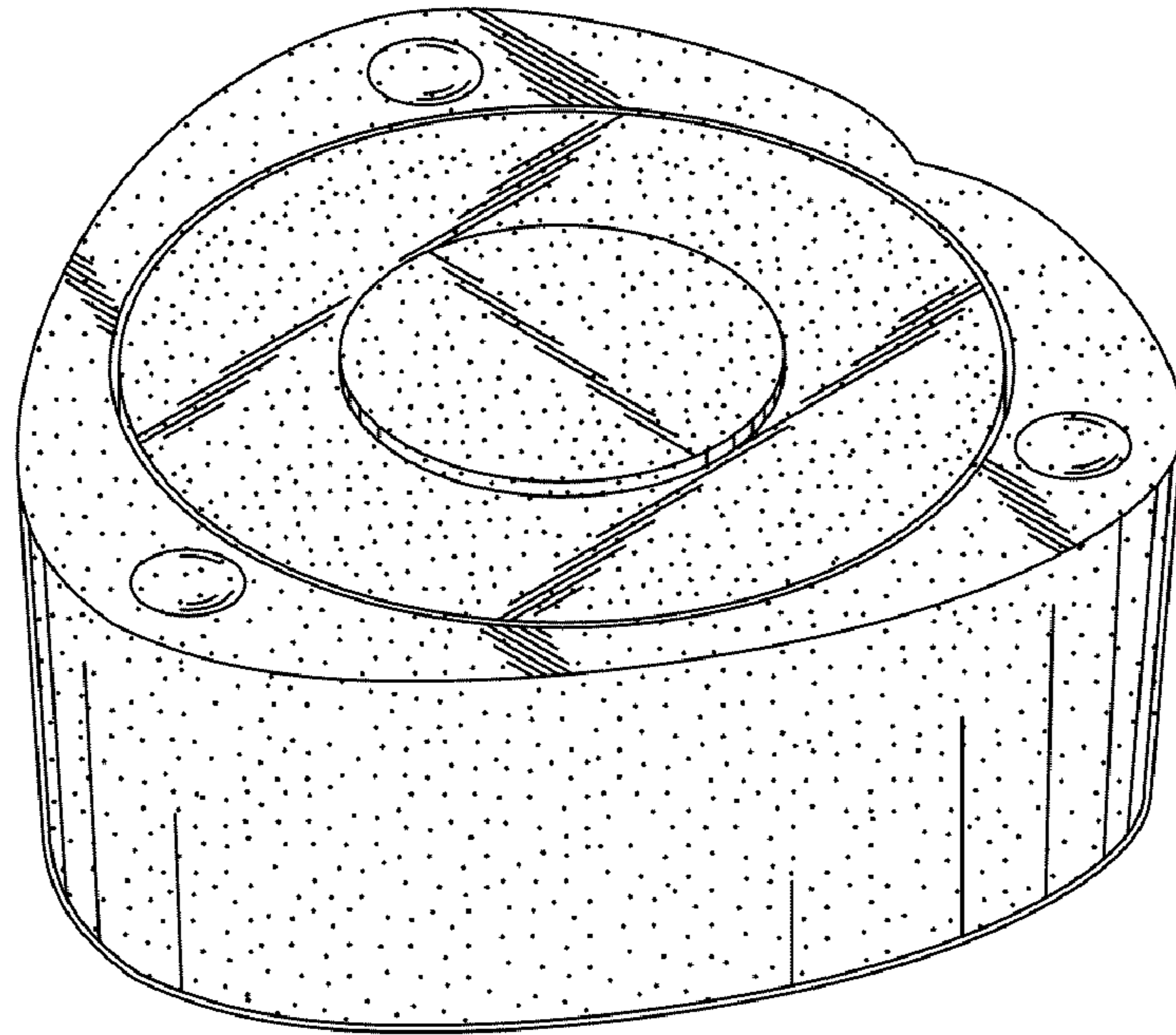


FIG. 3

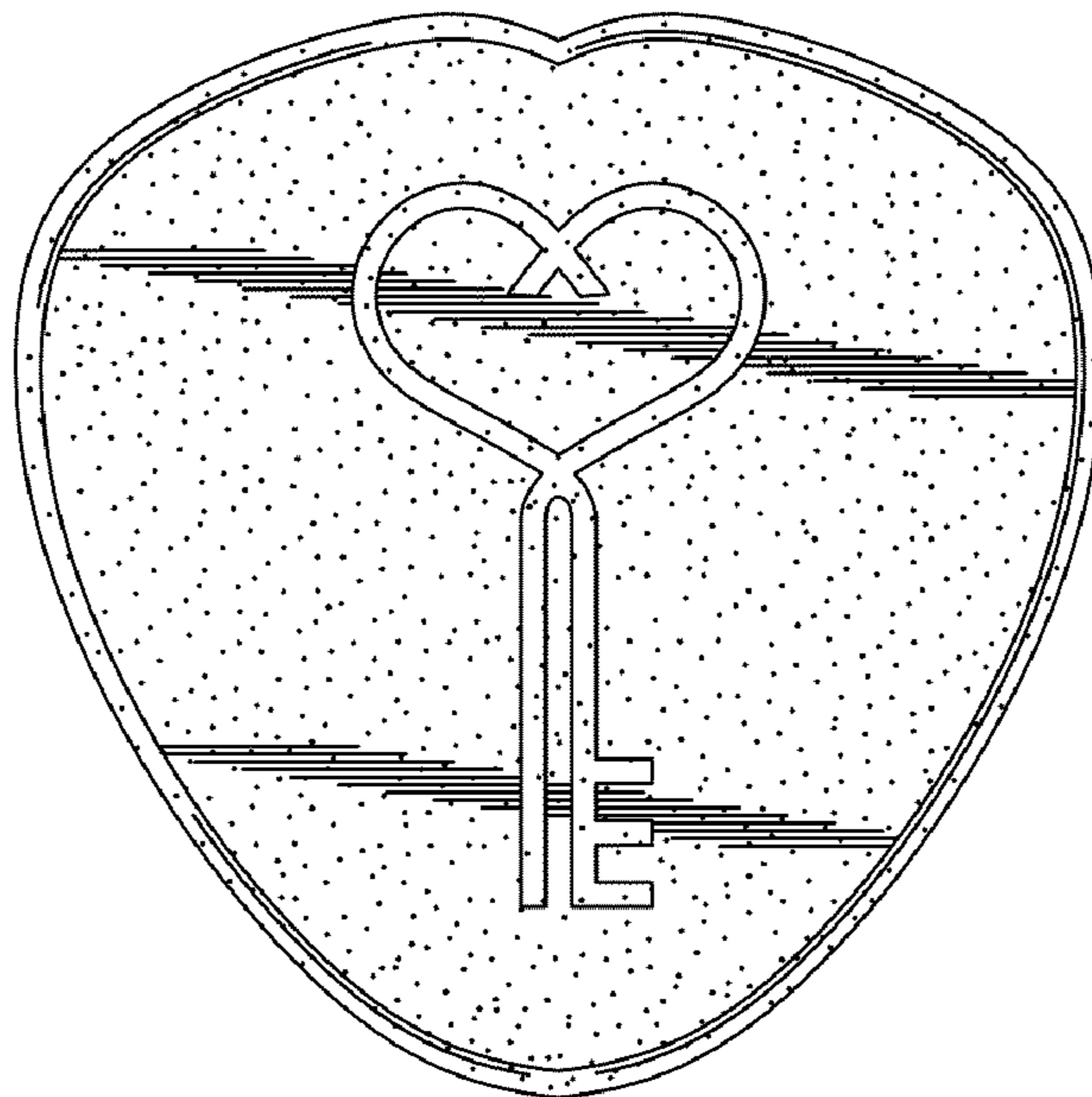


FIG. 4

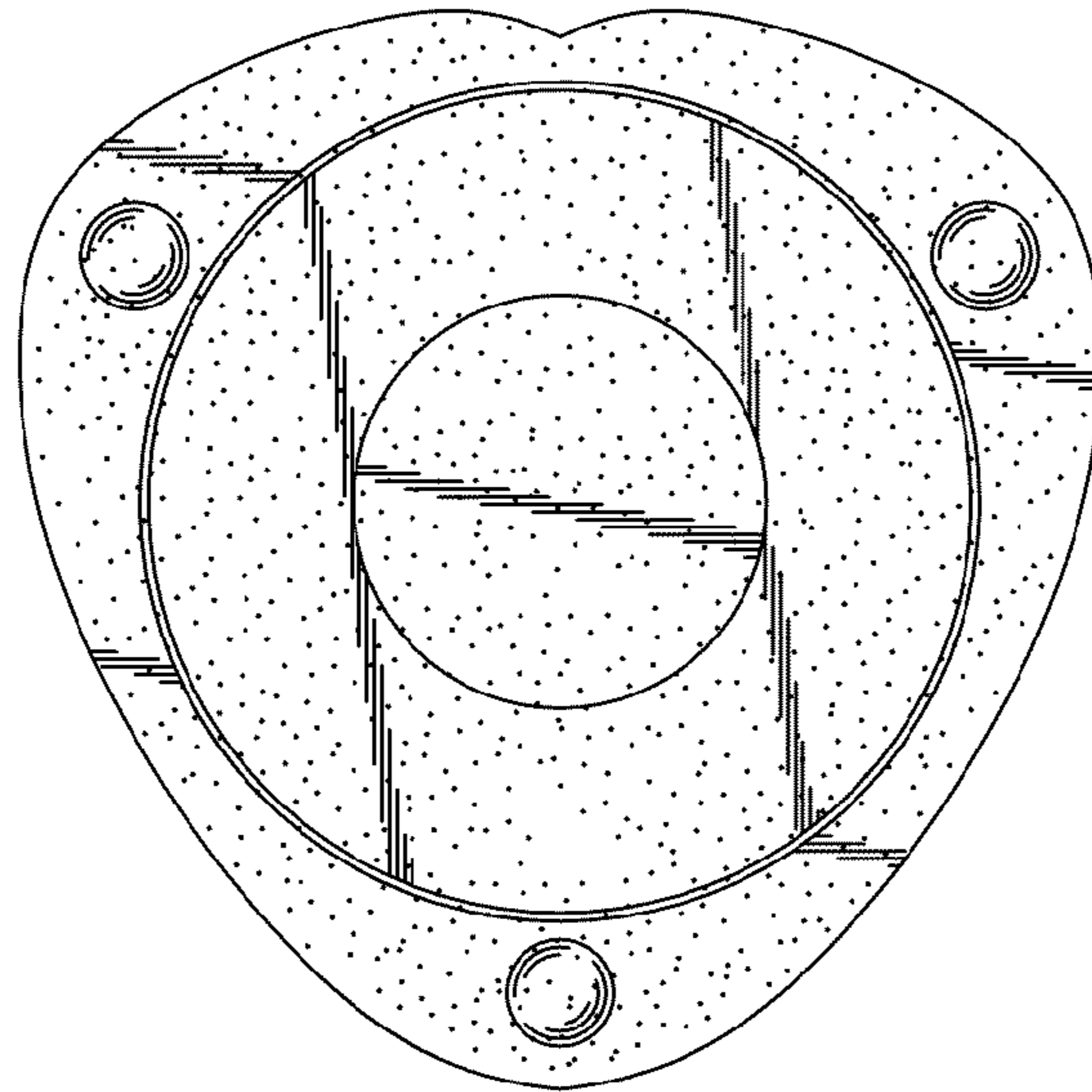


FIG. 5

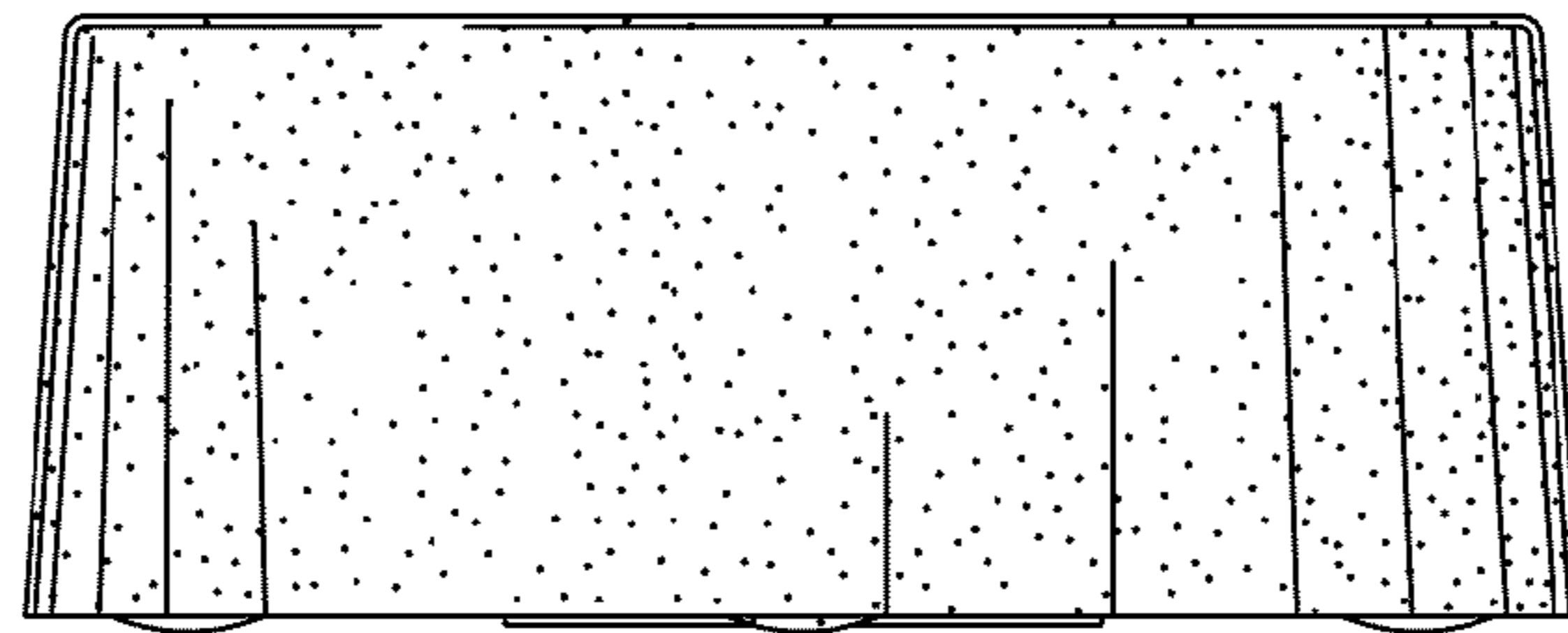


FIG. 6

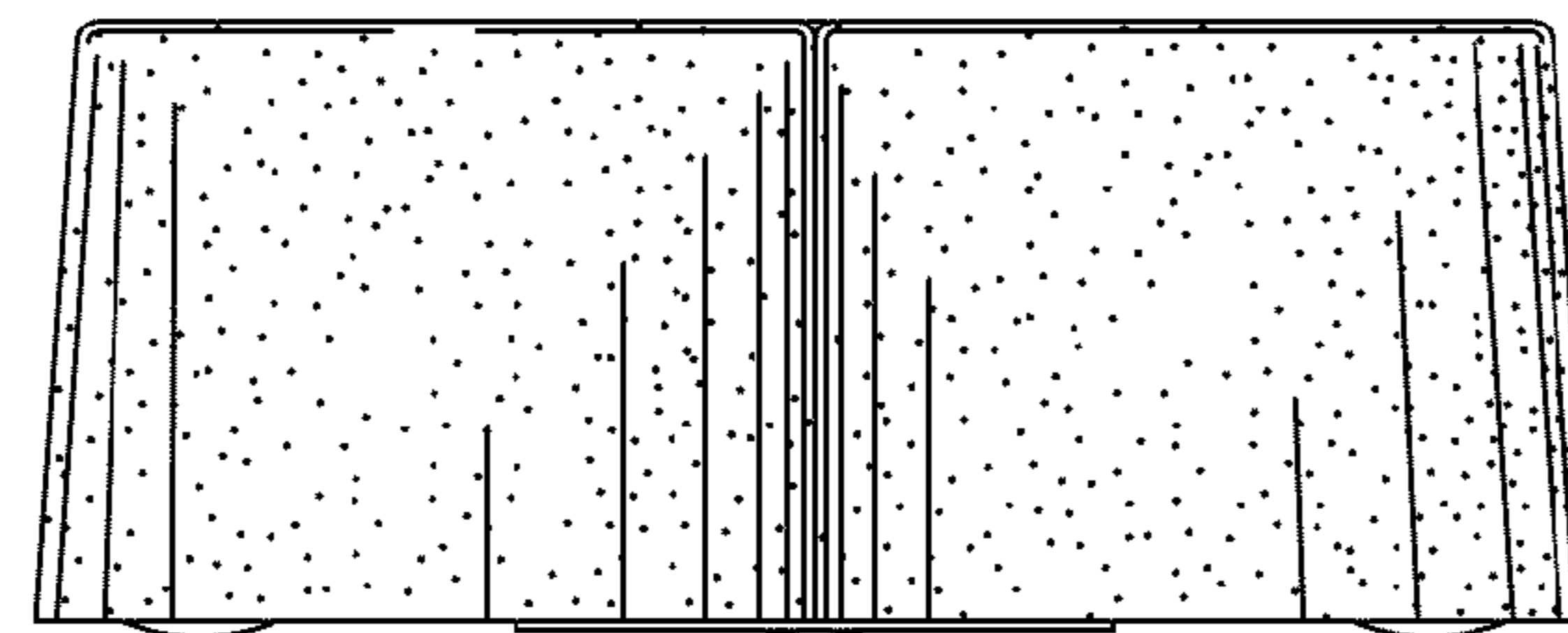


FIG. 7

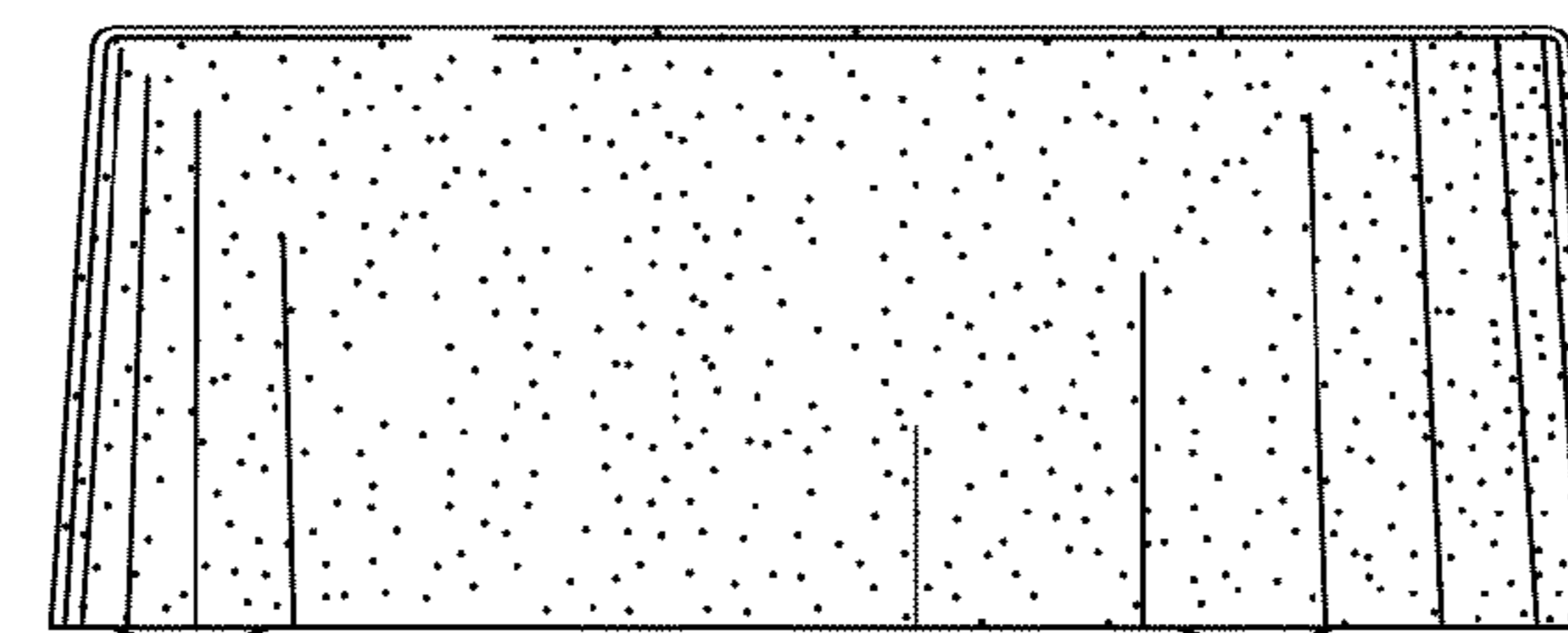


FIG. 8